



US00D610607S

(12) **United States Design Patent**  
**Kachi et al.**

(10) **Patent No.:** **US D610,607 S**  
(45) **Date of Patent:** **\*\* Feb. 23, 2010**

(54) **INKJET RECORDING DEVICE**

(75) Inventors: **Yasuhiko Kachi**, Kanagawa (JP);  
**Norihisa Takada**, Kanagawa (JP);  
**Yoshihira Rai**, Ebina (JP); **Atsumichi**  
**Imazeki**, Ebina (JP); **Masaki Kataoka**,  
Ebina (JP); **Tadashi Suzuki**, Ebina (JP);  
**Takaaki Sekiyama**, Ebina (JP)

(73) Assignee: **Fujifilm Corporation**, Tokyo (JP)

(\*\*) Term: **14 Years**

(21) Appl. No.: **29/328,028**

(22) Filed: **Nov. 18, 2008**

(30) **Foreign Application Priority Data**

May 23, 2008 (JP) ..... 2008-013001

(51) **LOC (9) Cl.** ..... **18-02**

(52) **U.S. Cl.** ..... **D18/56**

(58) **Field of Classification Search** ..... D18/40,  
D18/43, 56; 347/47, 86-87  
See application file for complete search history.

(56) **References Cited**

**U.S. PATENT DOCUMENTS**

4,559,543	A *	12/1985	Togano et al.	347/32
5,021,809	A *	6/1991	Abe et al.	347/94
5,371,527	A *	12/1994	Miller et al.	D18/56
5,686,946	A *	11/1997	Mizutani	347/68
5,883,653	A *	3/1999	Sasaki	347/86
6,193,356	B1 *	2/2001	Takata	347/30
6,612,689	B2 *	9/2003	Suenaga et al.	347/85
6,623,094	B2 *	9/2003	Murakami	347/18
6,715,863	B2 *	4/2004	Shimizu	347/85
6,722,762	B2 *	4/2004	Miyazawa et al.	347/86
6,824,255	B2 *	11/2004	Hino	347/87
7,090,341	B1 *	8/2006	Miyazawa	347/85
7,350,907	B2 *	4/2008	Miyazawa	347/86
7,367,652	B2 *	5/2008	Miyazawa et al.	347/86
2001/0040608	A1 *	11/2001	Yamazaki et al.	347/57

2002/0154200	A1 *	10/2002	Miyazawa et al.	347/86
2003/0001927	A1 *	1/2003	Oda et al.	347/56
2003/0007026	A1 *	1/2003	Matsumoto et al.	347/19
2003/0160841	A1 *	8/2003	Takata et al.	347/50
2004/0160481	A1 *	8/2004	Miyazawa et al.	347/49
2006/0098062	A1 *	5/2006	Miyazawa	347/86
2006/0268080	A1 *	11/2006	Nakazawa	347/86
2006/0284946	A1 *	12/2006	Miyazawa	347/85
2007/0046764	A1 *	3/2007	Nakazawa	347/224
2007/0176969	A1 *	8/2007	Okuda et al.	347/47
2009/0189964	A1 *	7/2009	Nagamine et al.	347/90

\* cited by examiner

*Primary Examiner*—Cathy Anne MacCormac

(74) *Attorney, Agent, or Firm*—Young & Thompson

(57) **CLAIM**

The ornamental design for an inkjet recording device, as shown and described.

**DESCRIPTION**

FIG. 1 is a perspective view of the inkjet recording device showing our new design;

FIG. 2 is a front elevational view thereof;

FIG. 3 is a top plan view thereof;

FIG. 4 is a bottom plan view thereof;

FIG. 5 is a left side elevational view thereof;

FIG. 6 is a reduced top, front and side perspective view thereof;

FIG. 7 is a front elevational view of FIG. 6

FIG. 8 is a top plan view of FIG. 6

FIG. 9 is another perspective view of FIG. 6, showing the article in an alternate position; and,

FIG. 10 is another reduced perspective view of FIG. 6 showing where the inkjet recording device is inserted into a printer.

The broken lines are for illustrative purposes only and form no part of the claimed design.

**1 Claim, 10 Drawing Sheets**

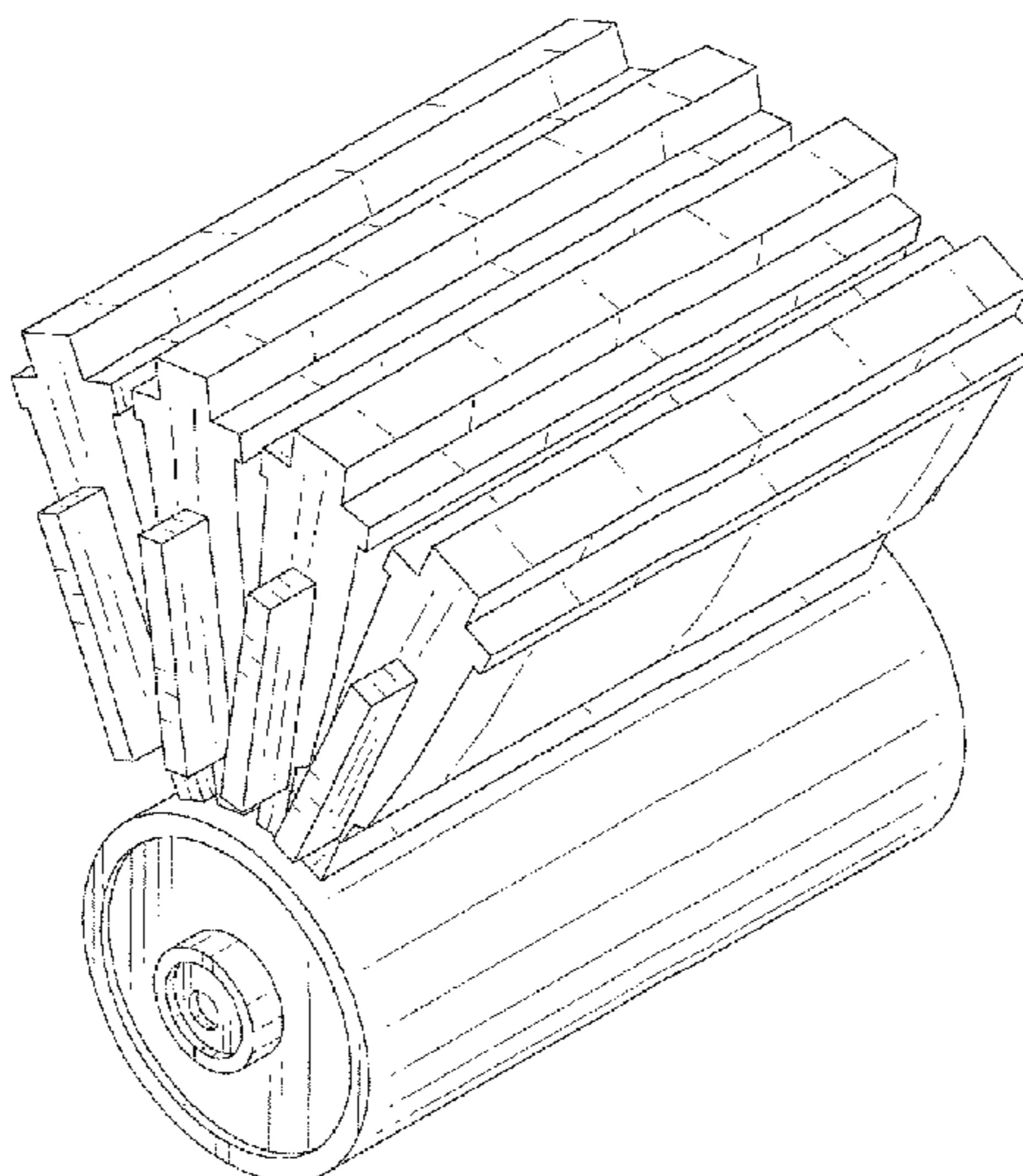


FIG. 1

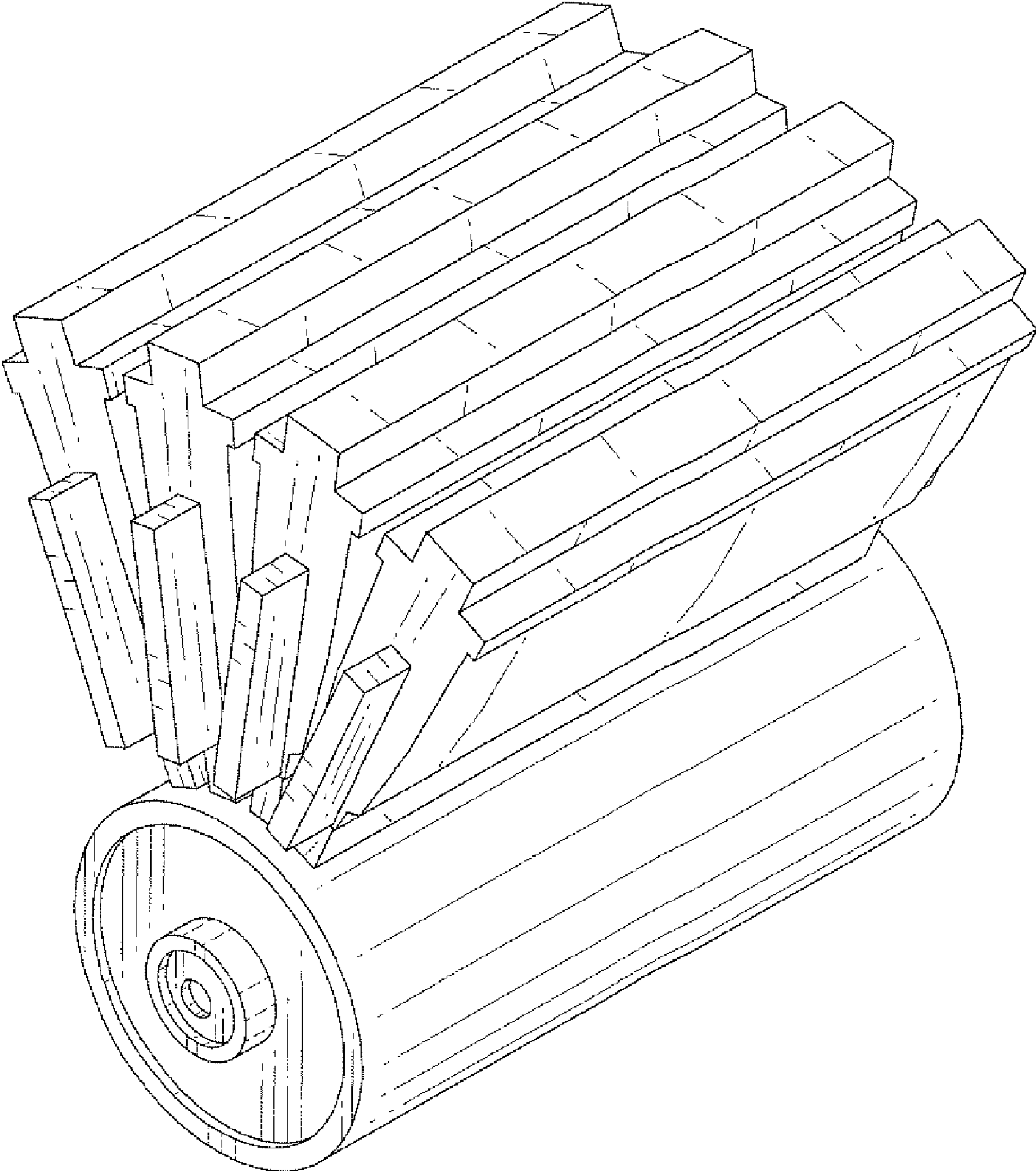


FIG. 2

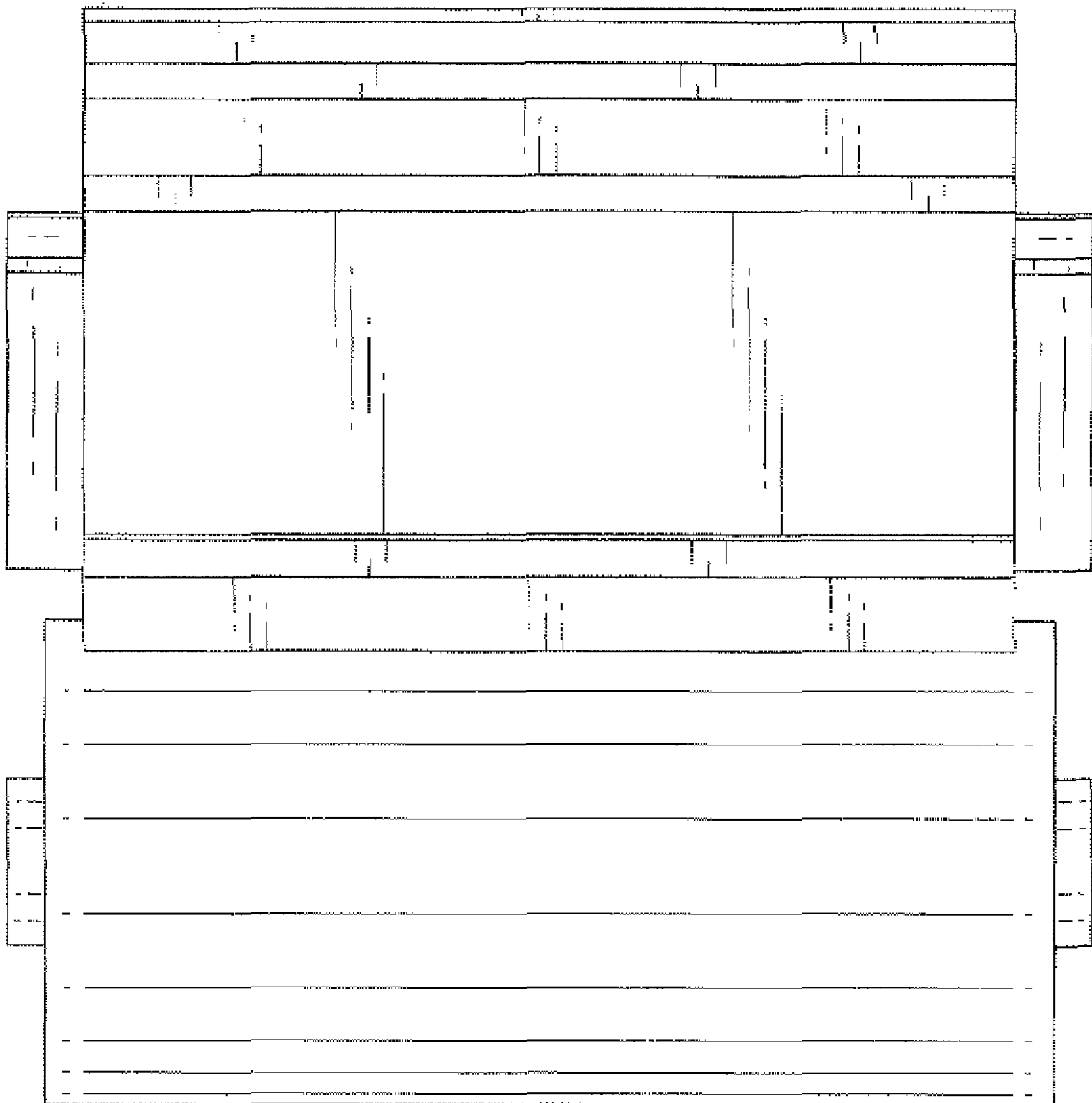


FIG. 3

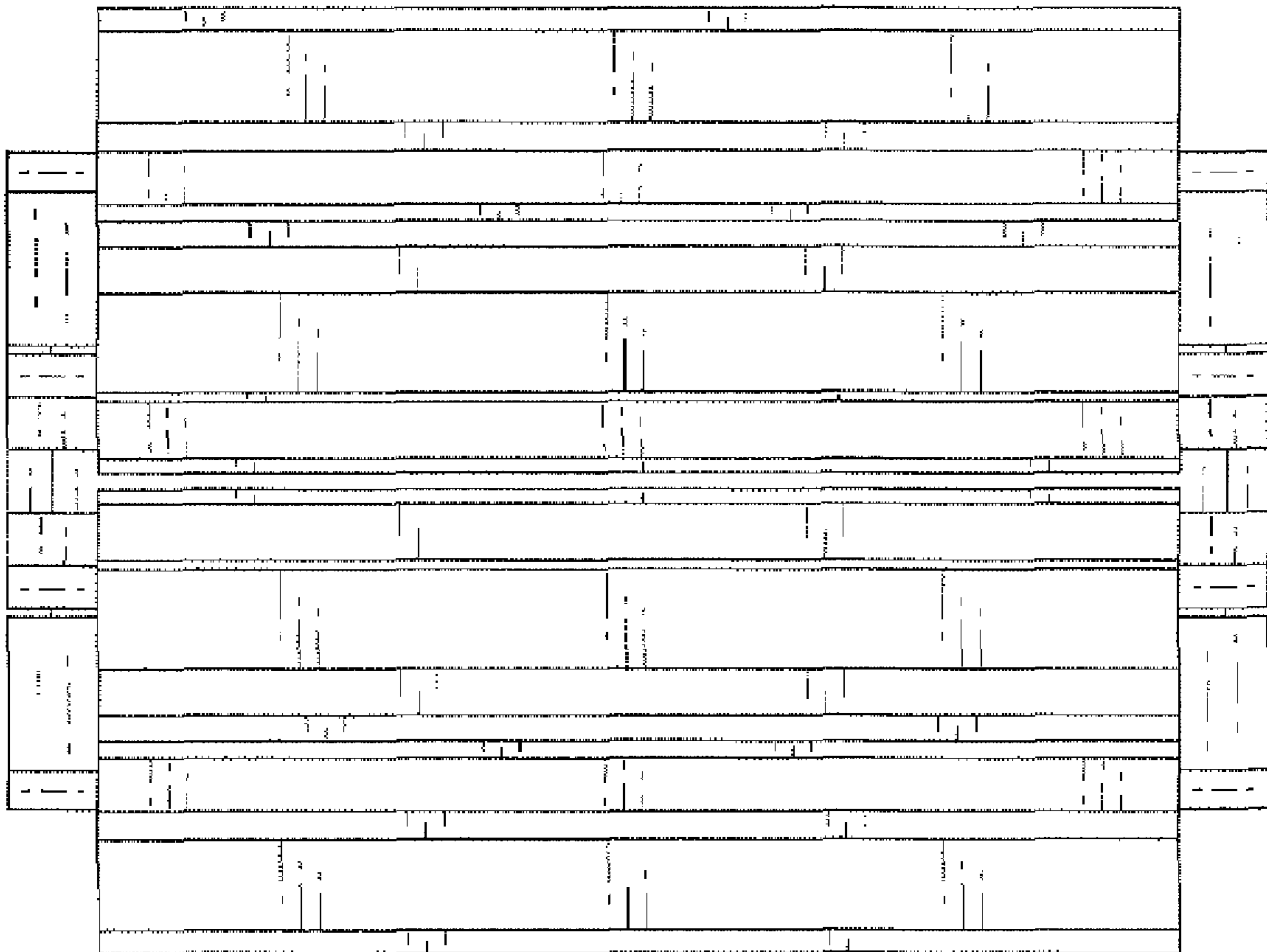


FIG. 4

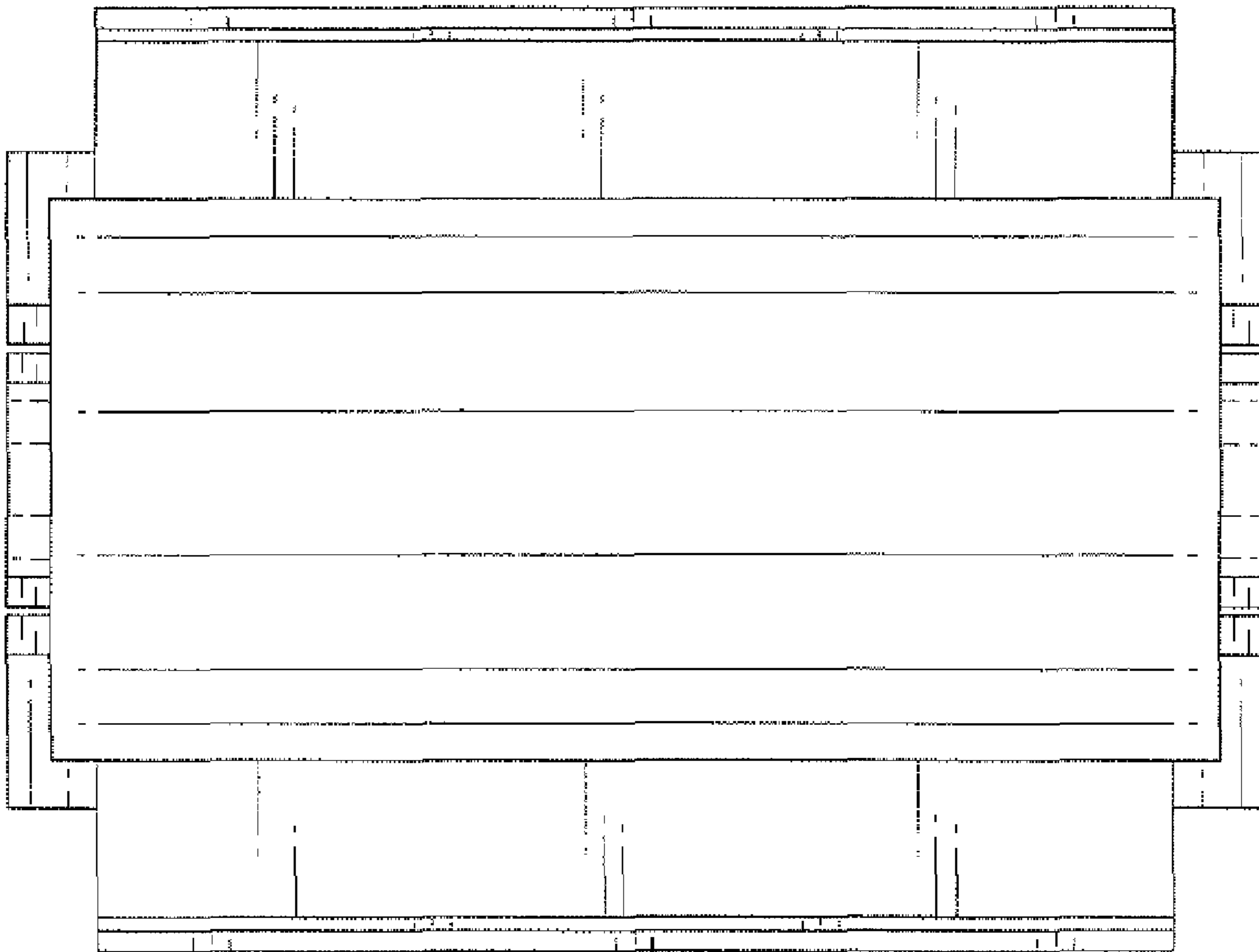


FIG. 5

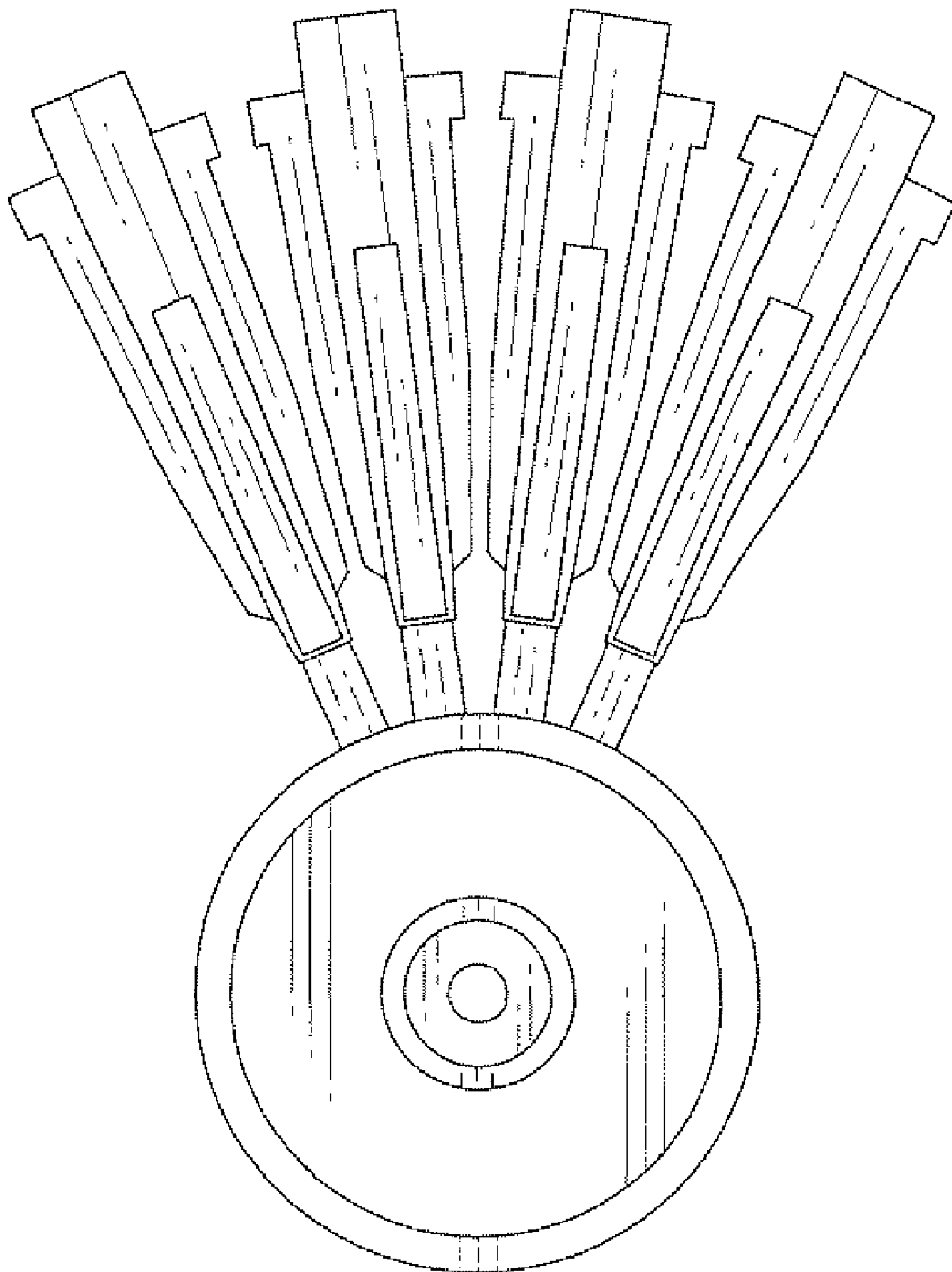


FIG.6

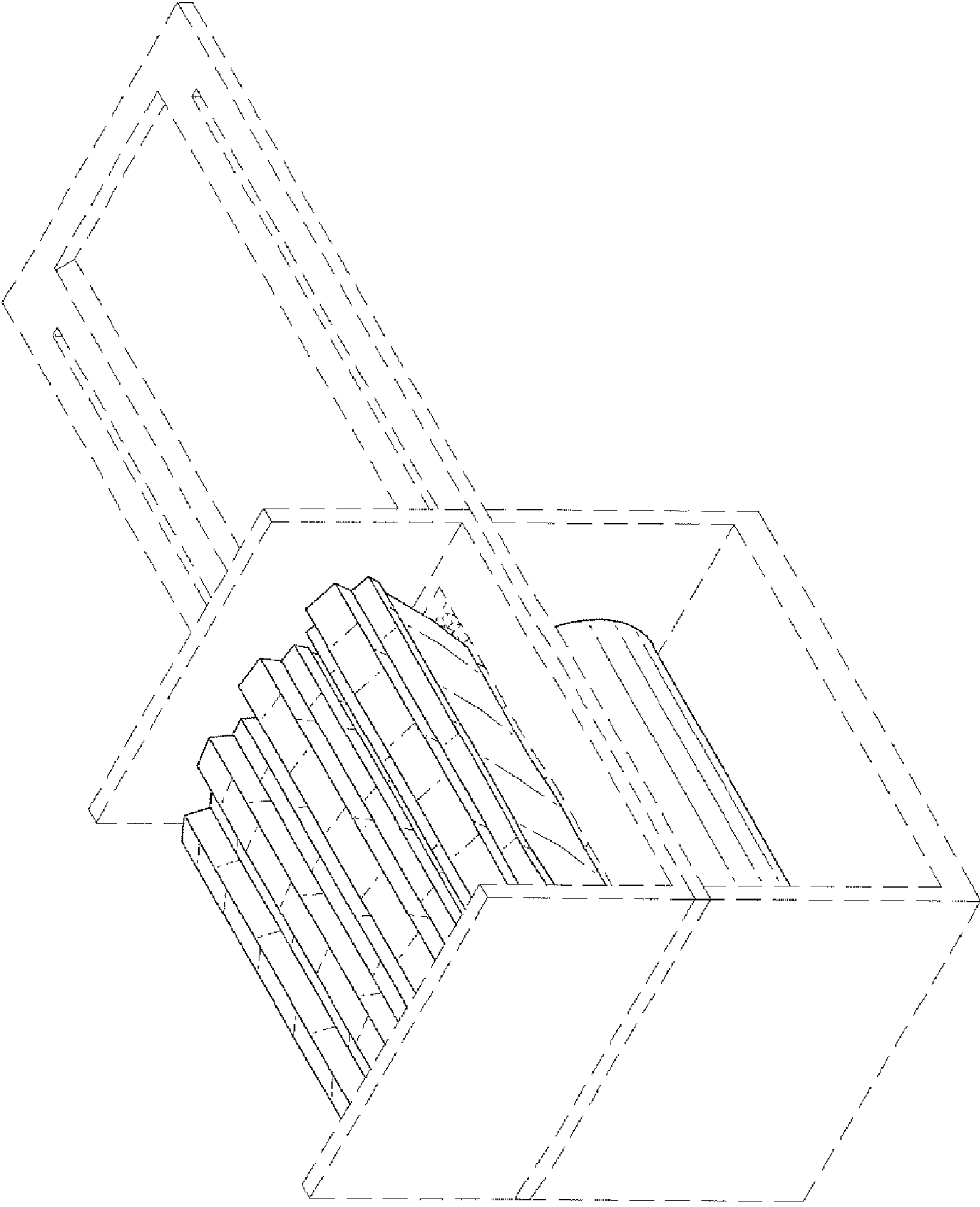


FIG. 7

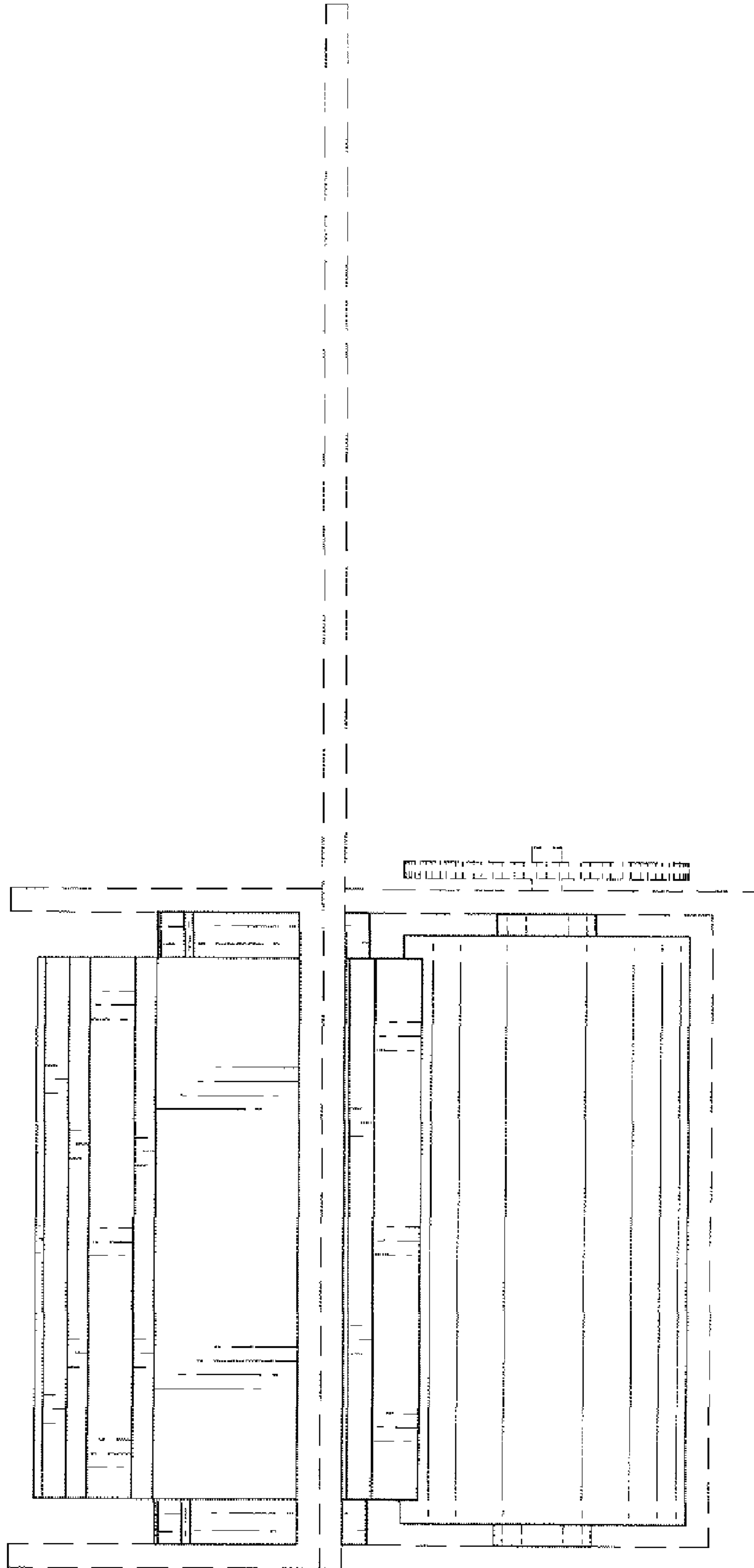
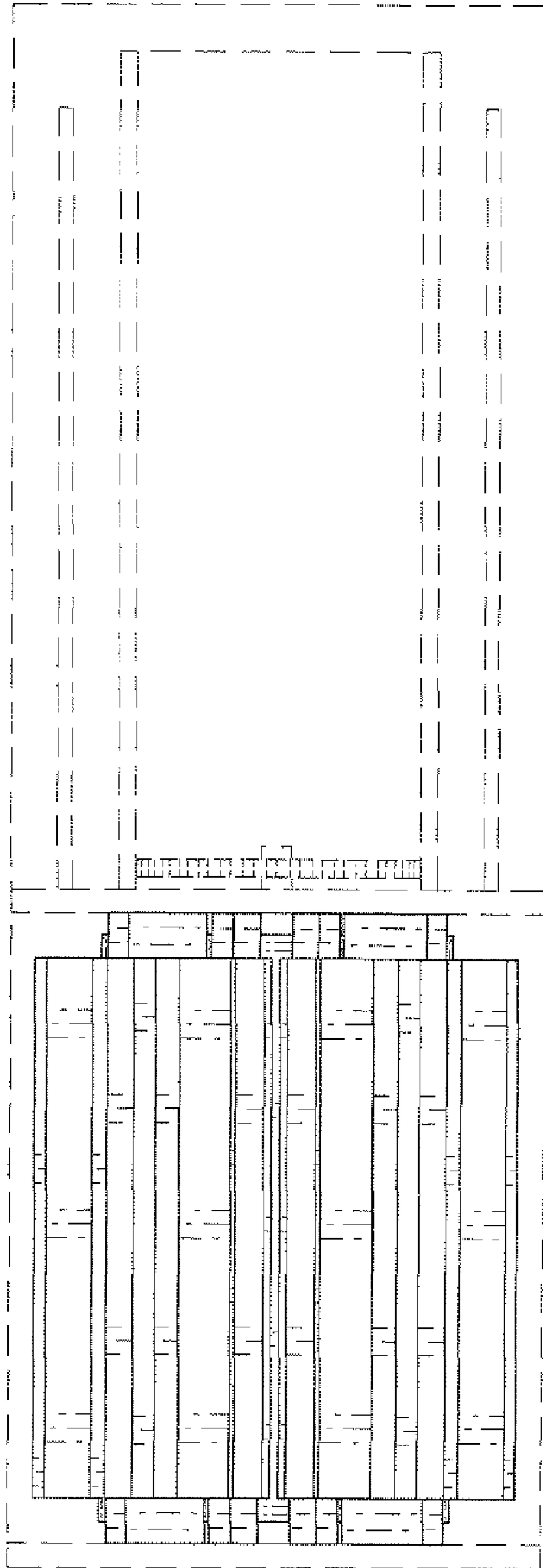




FIG. 8



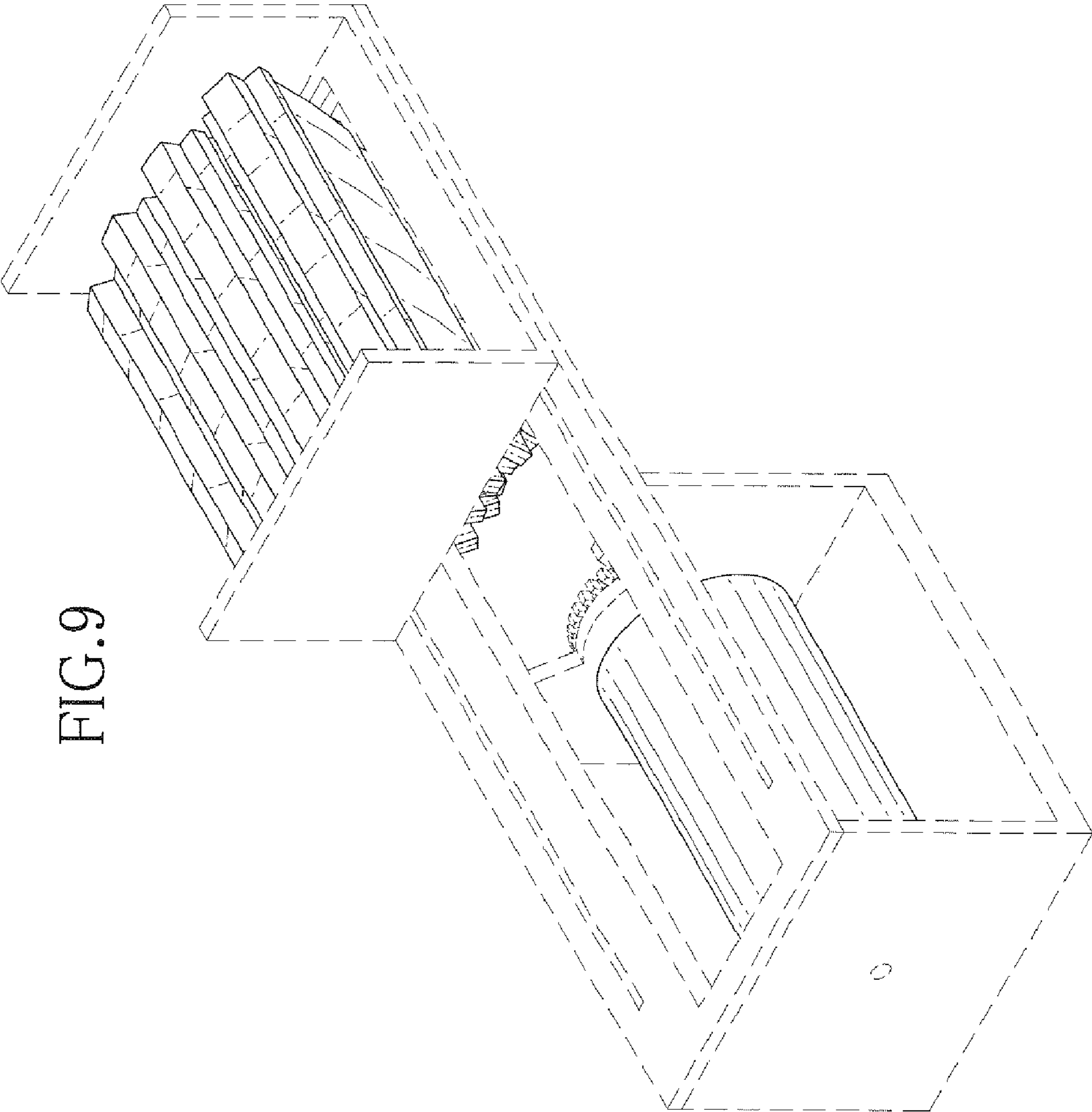


FIG. 9

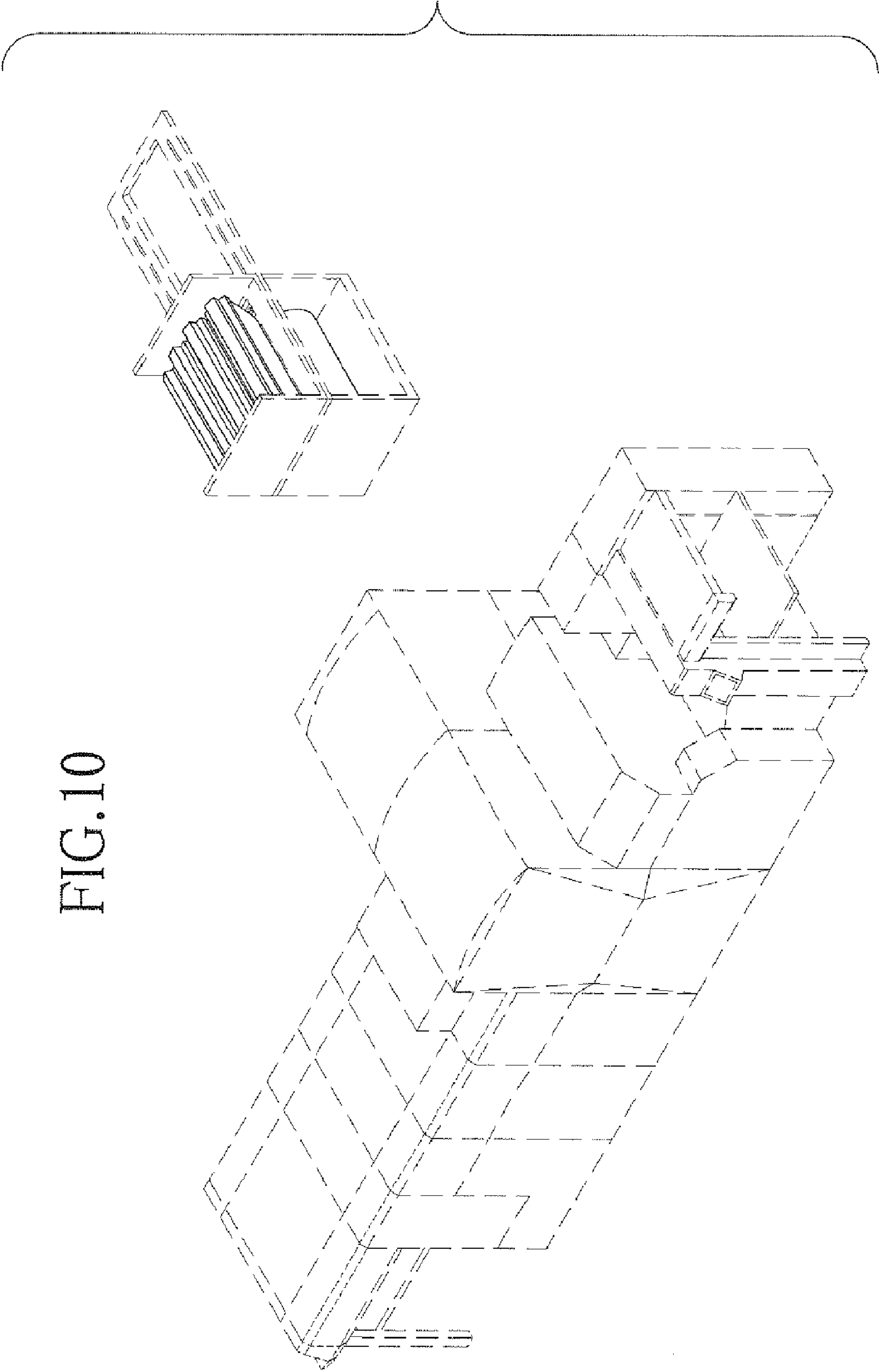


FIG.10