



US00D610605S

(12) **United States Design Patent**  
**Shannon**

(10) **Patent No.:** **US D610,605 S**

(45) **Date of Patent:** **\*\* Feb. 23, 2010**

(54) **GUITAR**

(76) **Inventor:** **Sean Michael Shannon**, 7030 Central Ave., Lemon Grove, CA (US) 91945

(\*\*) **Term:** **14 Years**

(21) **Appl. No.:** **29/310,870**

(22) **Filed:** **Sep. 16, 2008**

(51) **LOC (9) Cl.** ..... **17-03**

(52) **U.S. Cl.** ..... **D17/14**

(58) **Field of Classification Search** ..... D17/14,  
D17/18-20; 84/267-269, 290-293  
See application file for complete search history.

(56) **References Cited**

**U.S. PATENT DOCUMENTS**

D256,251 S *	8/1980	Grimes	.....	D17/14
D292,217 S	10/1987	Giron, III		
D293,118 S	12/1987	Rose		
D293,252 S *	12/1987	Powers	.....	D17/20
4,890,529 A *	1/1990	Grant	.....	84/291
D477,012 S	7/2003	Rico		
D481,411 S	10/2003	Minarik		
D486,175 S *	2/2004	Villalba	.....	D17/14
D499,756 S	12/2004	DiPinto		
D499,757 S	12/2004	Hoffman		

D517,114 S	3/2006	Knaggs		
D540,847 S	4/2007	Norsworthy		
D549,767 S	8/2007	Mitic		
D565,643 S *	4/2008	Li	.....	D17/18
2003/0094087 A1 *	5/2003	Gregory	.....	84/267

**FOREIGN PATENT DOCUMENTS**

FR 2686182 A1 \* 7/1993

\* cited by examiner

*Primary Examiner*—Ian Simmons

*Assistant Examiner*—R. Johnson

(57) **CLAIM**

The ornamental design for a guitar, as shown and described.

**DESCRIPTION**

FIG. 1 is a front elevational view of a guitar showing my new design;

FIG. 2 is a rear elevational view thereof;

FIG. 3 is a right side elevational view thereof;

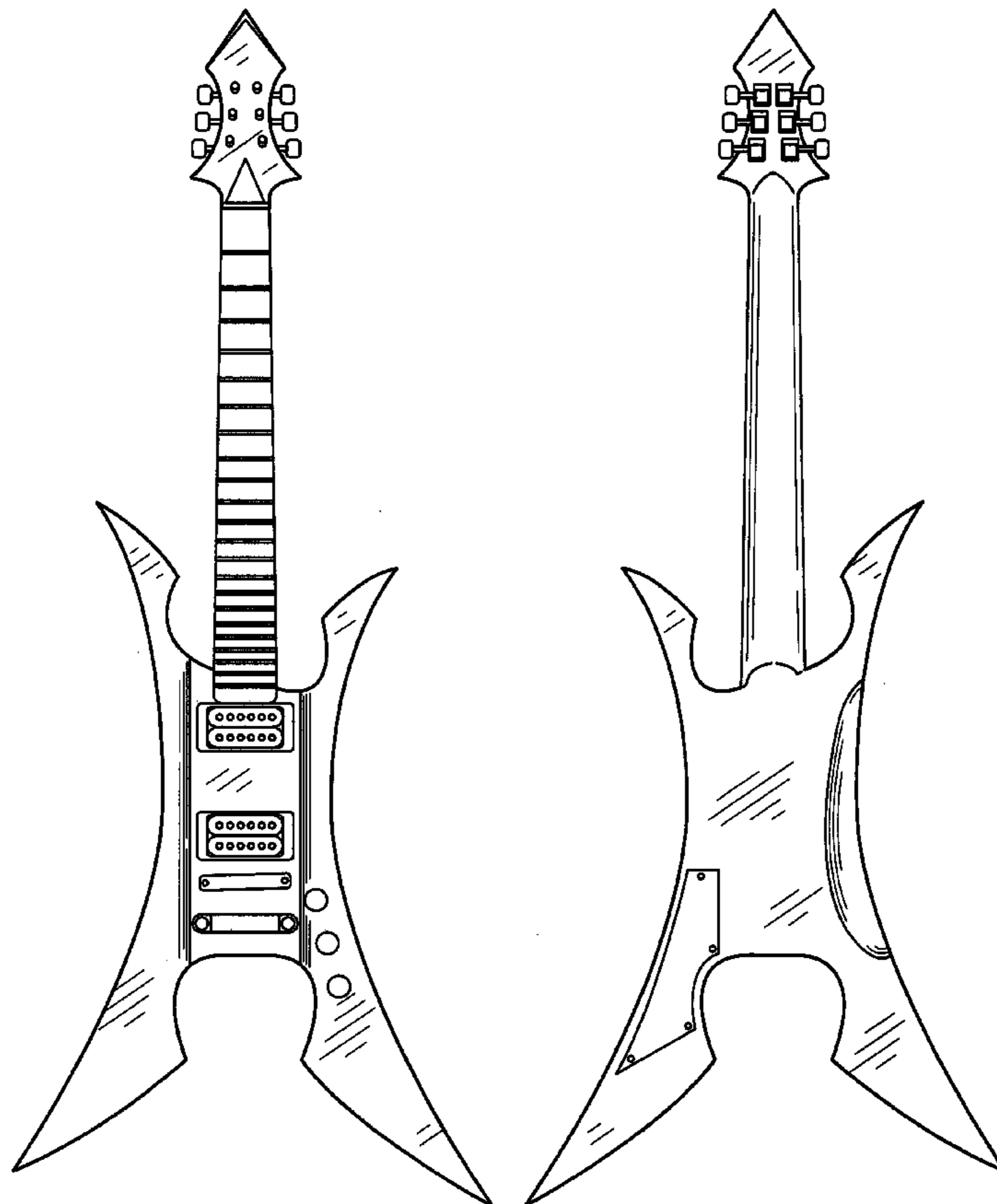
FIG. 4 is a left side elevational view thereof;

FIG. 5 is an enlarged bottom plan view thereof;

FIG. 6 is an enlarged top plan view thereof; and,

FIG. 7 is a perspective view thereof.

**1 Claim, 4 Drawing Sheets**



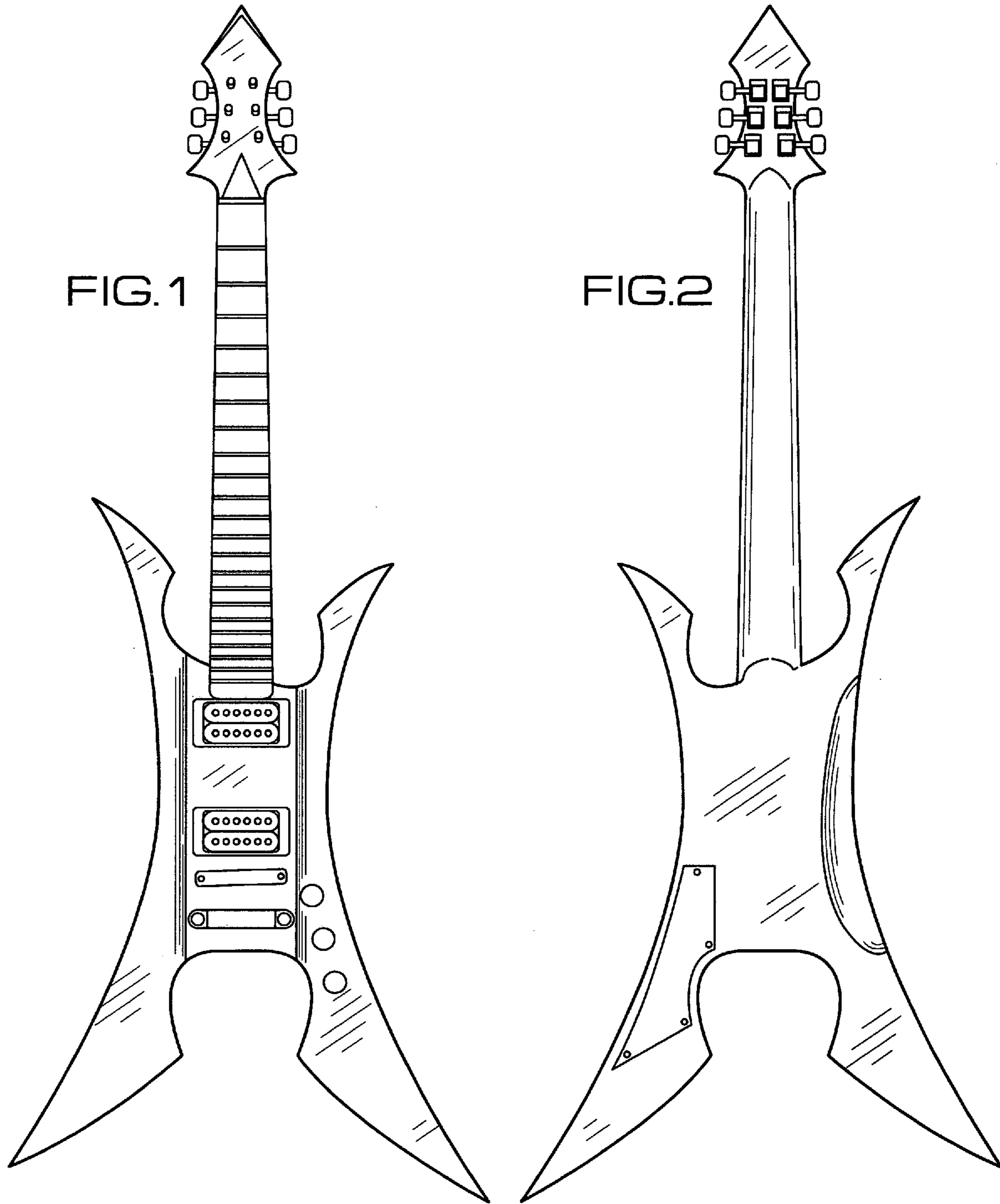


FIG.3

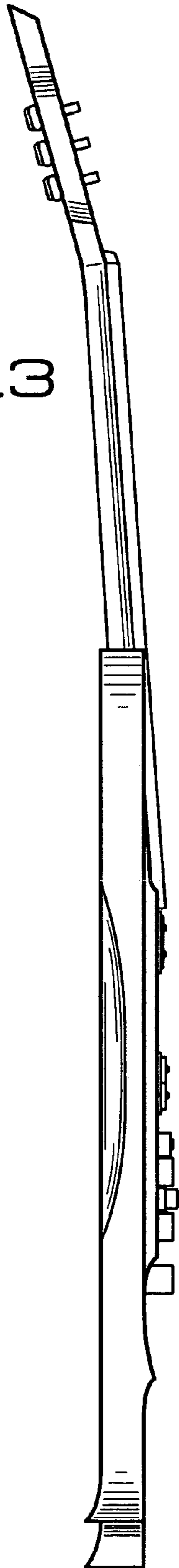


FIG.4

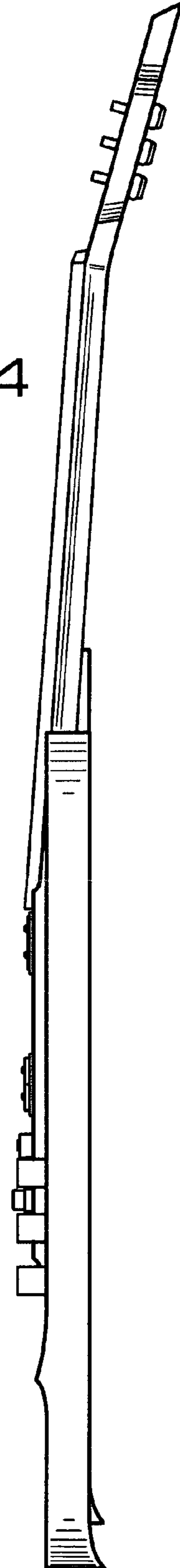


FIG.5

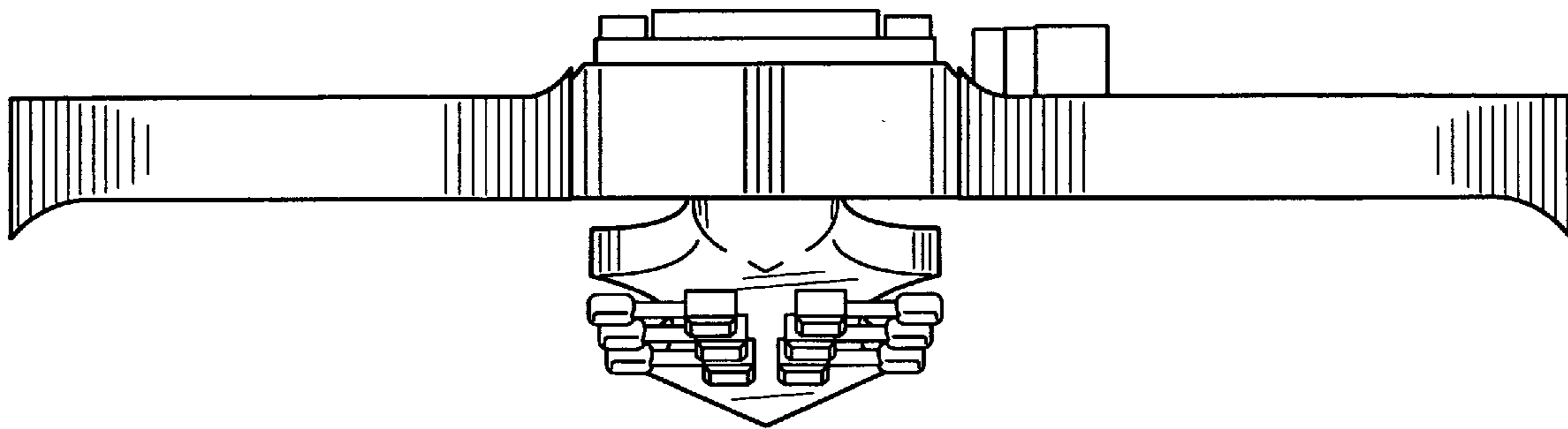


FIG.6

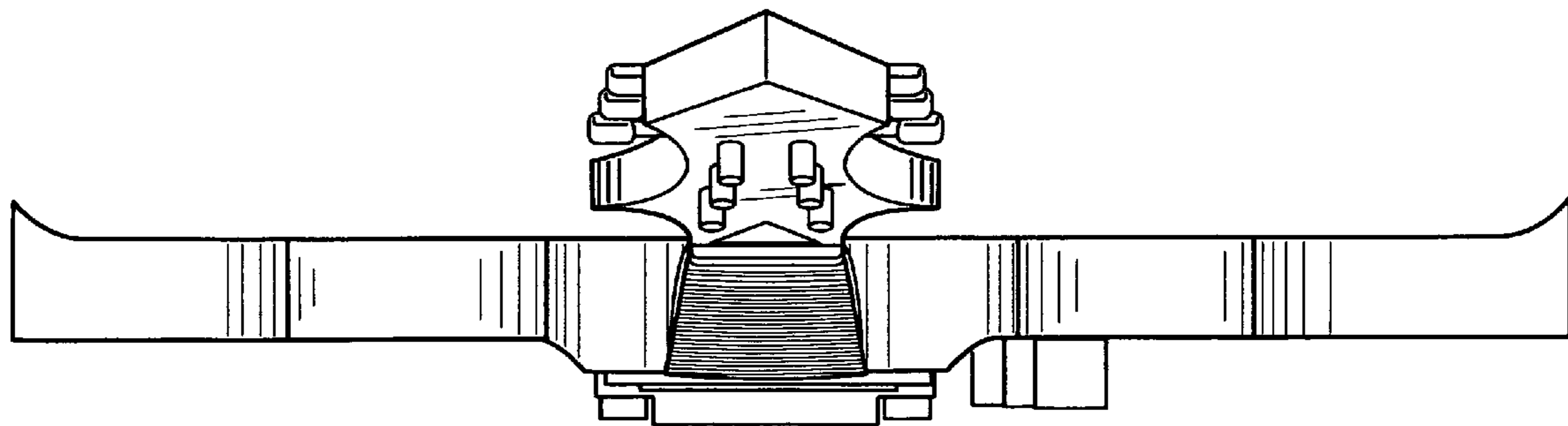


FIG.7

