



US00D610604S

(12) **United States Design Patent**
Thixton

(10) **Patent No.:** **US D610,604 S**
(45) **Date of Patent:** **** Feb. 23, 2010**

(54) **EYEGLOSS AND EYEGLOSS COMPONENTS**

(75) Inventor: **Lek Thixton**, Eastsound, WA (US)

(73) Assignee: **Oakley, Inc.**, Foothill Ranch, CA (US)

(**) Term: **14 Years**

(21) Appl. No.: **29/315,956**

(22) Filed: **Aug. 10, 2009**

(51) **LOC (9) Cl.** **16-06**

(52) **U.S. Cl.** **D16/326; D16/335**

(58) **Field of Classification Search** D16/101,
D16/300-342; D29/109-110; D24/110.2;
351/41, 44, 51-52, 62, 158, 92, 103-123,
351/140, 153, 45-46, 157; 2/426-432, 447-449,
2/441, 434-437, 13, 15; D21/483, 659-661
See application file for complete search history.

(56) **References Cited**

U.S. PATENT DOCUMENTS

D204,812 S	5/1966	Shindler
D210,418 S	3/1968	Bloch
D377,803 S	2/1997	Wilson
D378,375 S	3/1997	Tsai
D390,589 S	2/1998	Simioni
D397,351 S	8/1998	Simioni
D400,230 S	10/1998	Arnette
D406,858 S	3/1999	Arnette
D411,560 S	6/1999	Arnette
D415,515 S	10/1999	Arnette et al.
D420,035 S	2/2000	Hartman
D422,010 S	3/2000	Arnette
D430,591 S	9/2000	Arnette
D488,499 S	4/2004	Mage
D500,781 S	1/2005	Mage

D534,573 S	1/2007	Mage	
D536,027 S	1/2007	Paulson	
D539,830 S	4/2007	Saderholm et al.	
D547,794 S	7/2007	Jannard et al.	
D550,272 S	9/2007	Markovitz	
D552,665 S	9/2007	Mage	
D554,689 S	11/2007	Jannard et al.	
D556,818 S	12/2007	Jannard et al.	
D558,816 S	1/2008	Yee	
D561,810 S	2/2008	Fox et al.	
D575,813 S *	8/2008	Li	D16/326
D594,052 S *	6/2009	Yang	D16/326
D599,838 S *	9/2009	Rohrbach	D16/326
D604,757 S *	11/2009	Yee	D16/326
D604,759 S *	11/2009	Rohrbach et al.	D16/326

* cited by examiner

Primary Examiner—Raphael Barkai
(74) *Attorney, Agent, or Firm*—Gregory K. Nelson

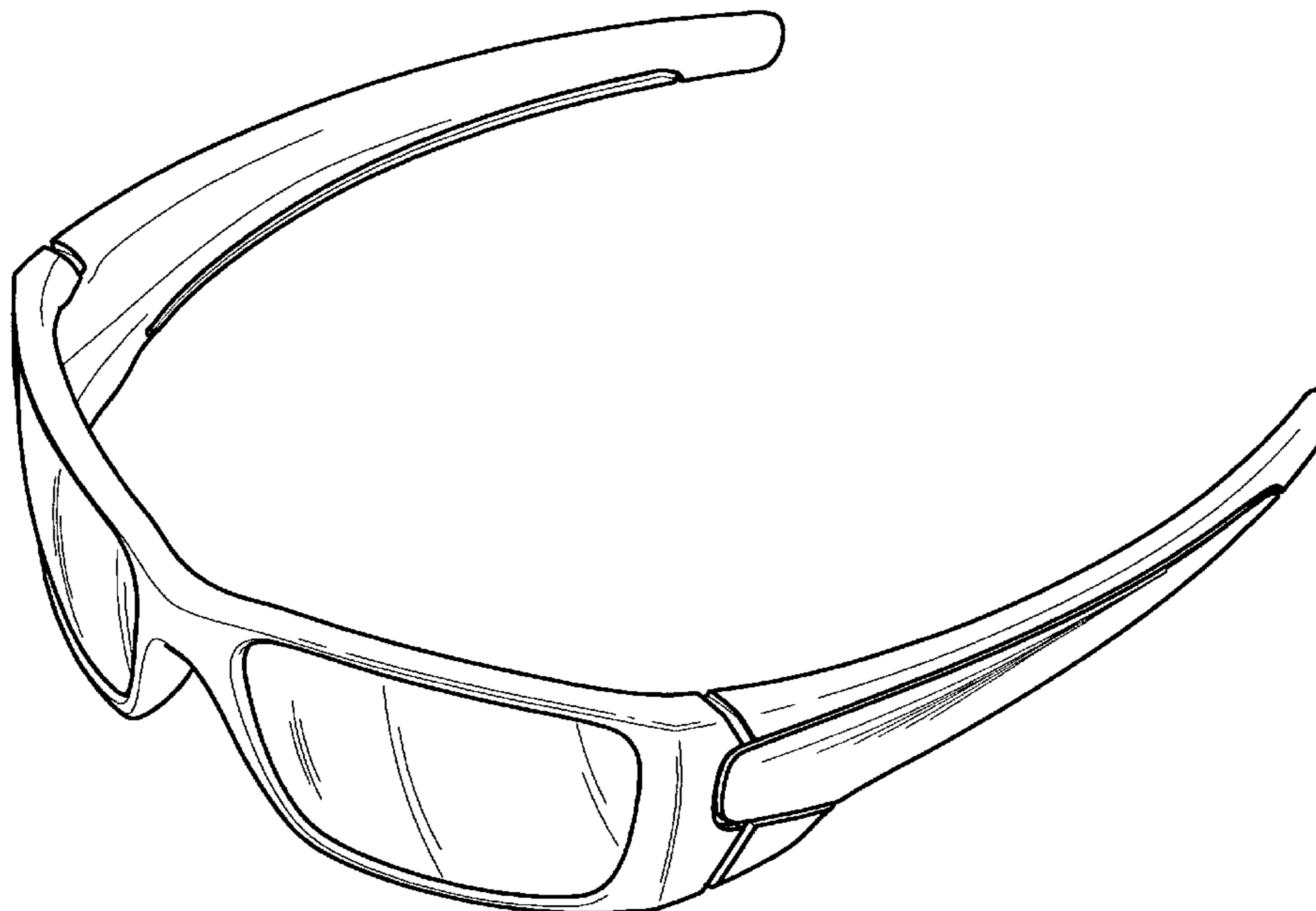
(57) **CLAIM**

The ornamental design for an eyeglass and eyeglass components, as shown.

DESCRIPTION

FIG. 1 is a front perspective view of the eyeglass and eyeglass components of the present invention;
FIG. 2 is a front elevational view thereof;
FIG. 3 is a rear elevational view thereof;
FIG. 4 is a left-side elevational view thereof, the right-side elevational view being a mirror image thereof;
FIG. 5 is a top plan view thereof; and,
FIG. 6 is a bottom plan view thereof.

1 Claim, 4 Drawing Sheets



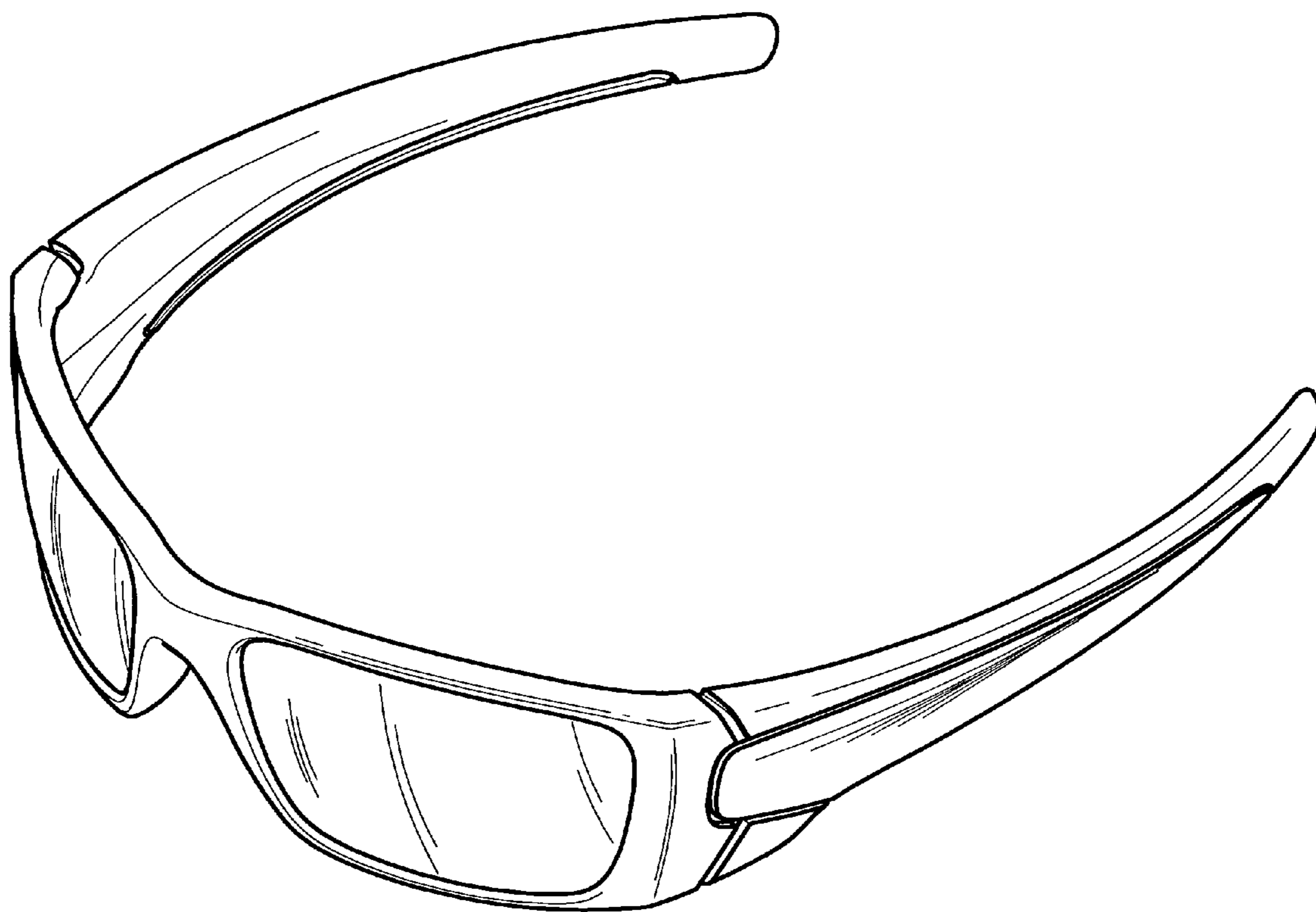


FIG. 1

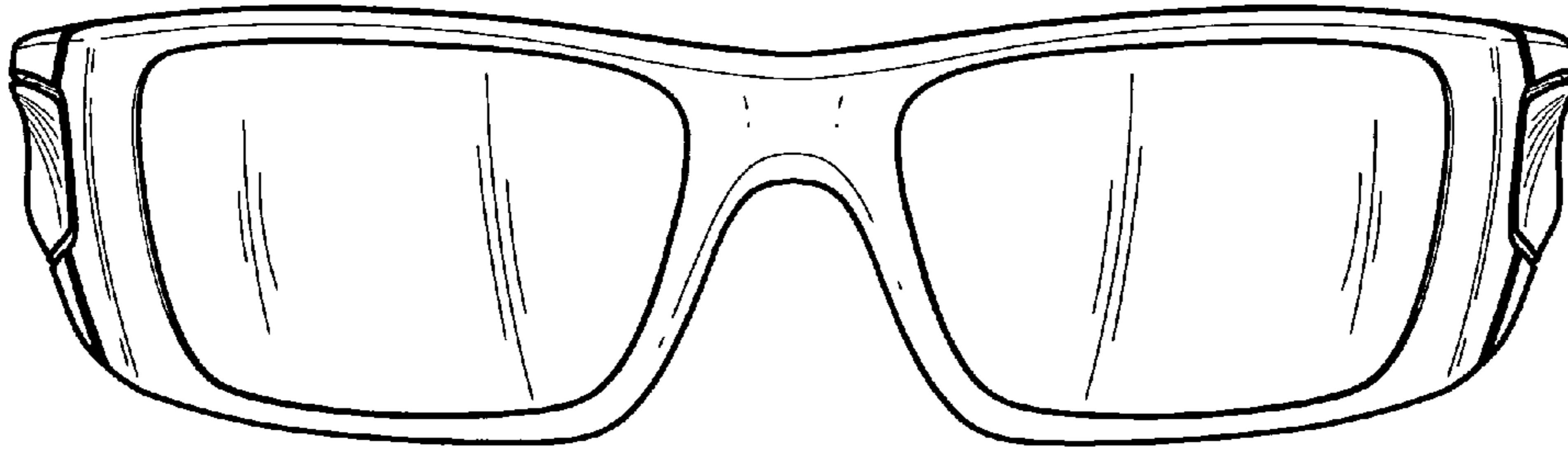


FIG. 2

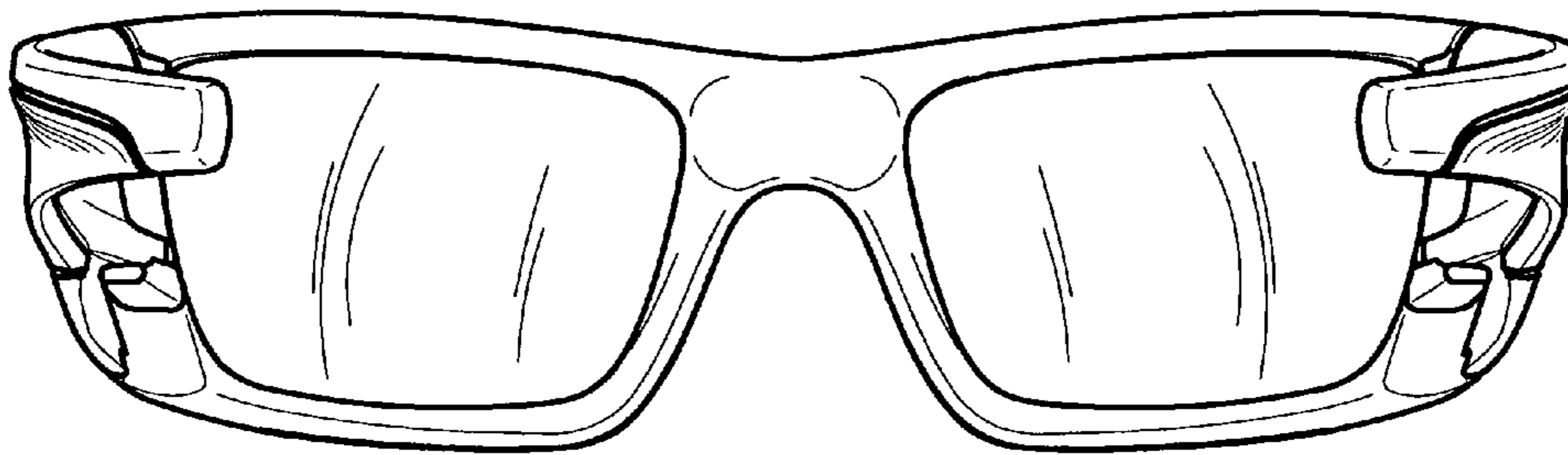


FIG. 3

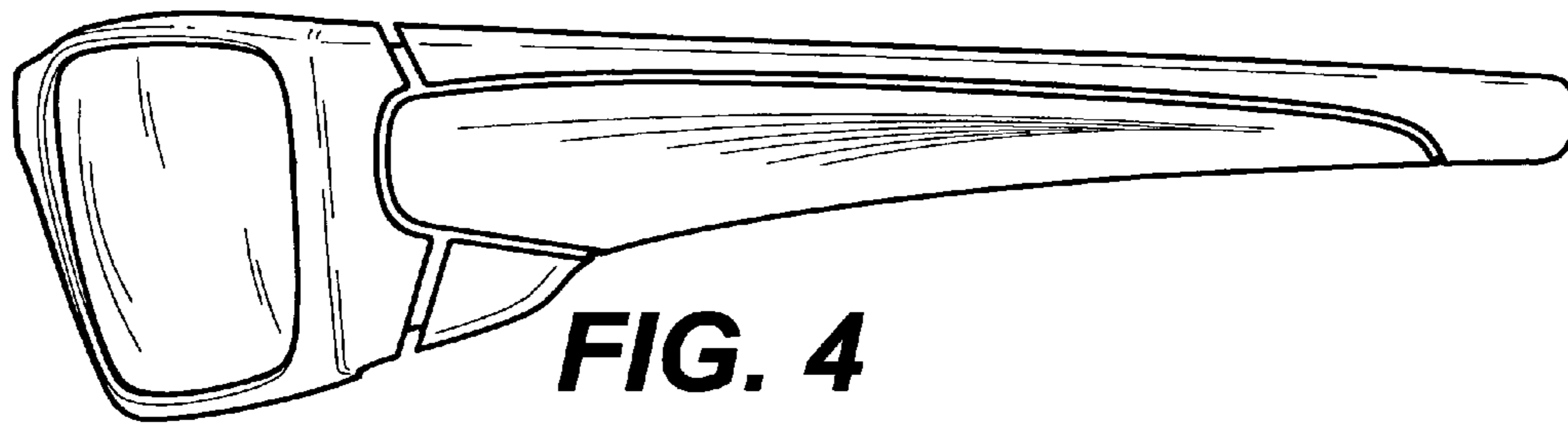


FIG. 4

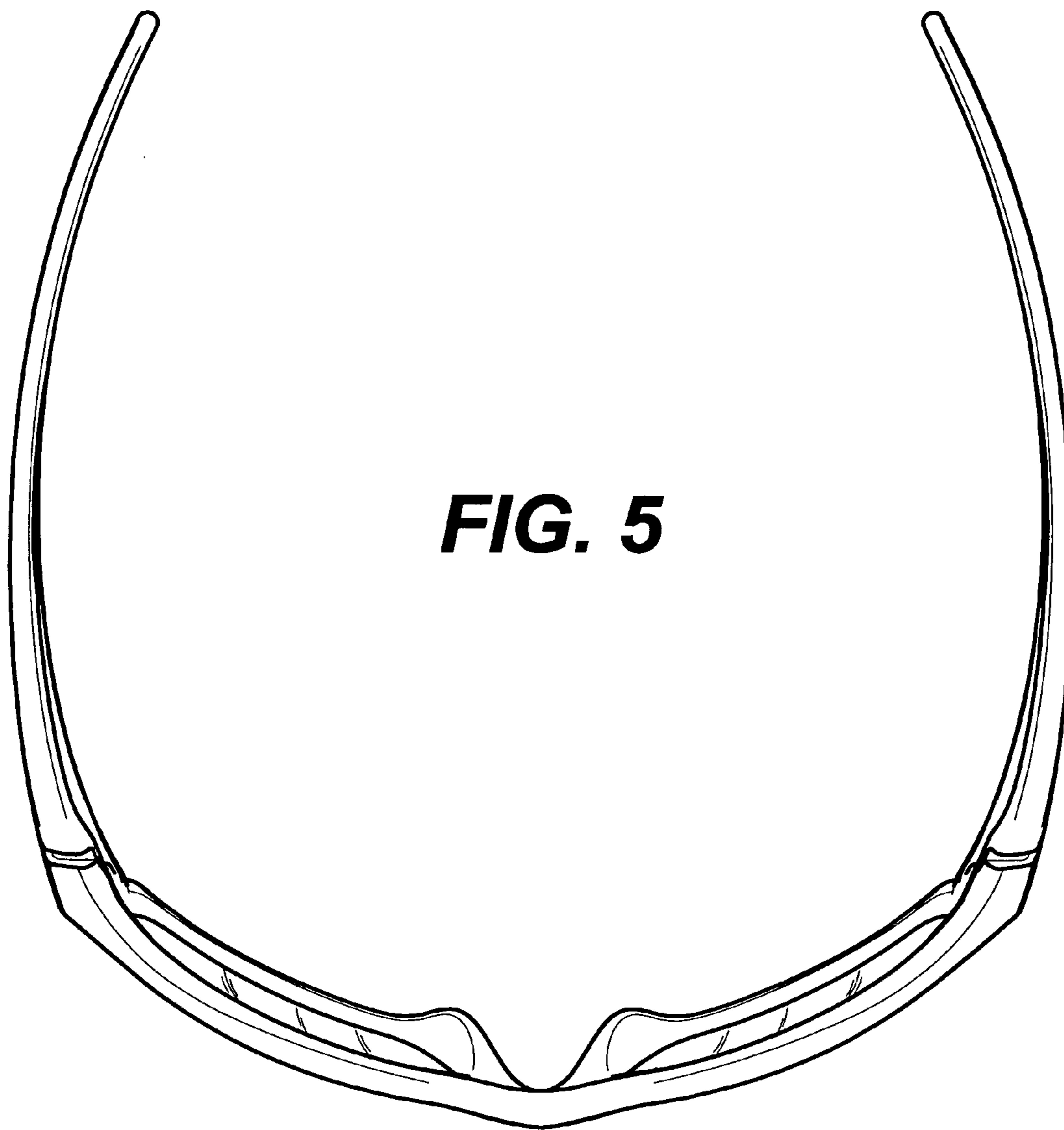


FIG. 5

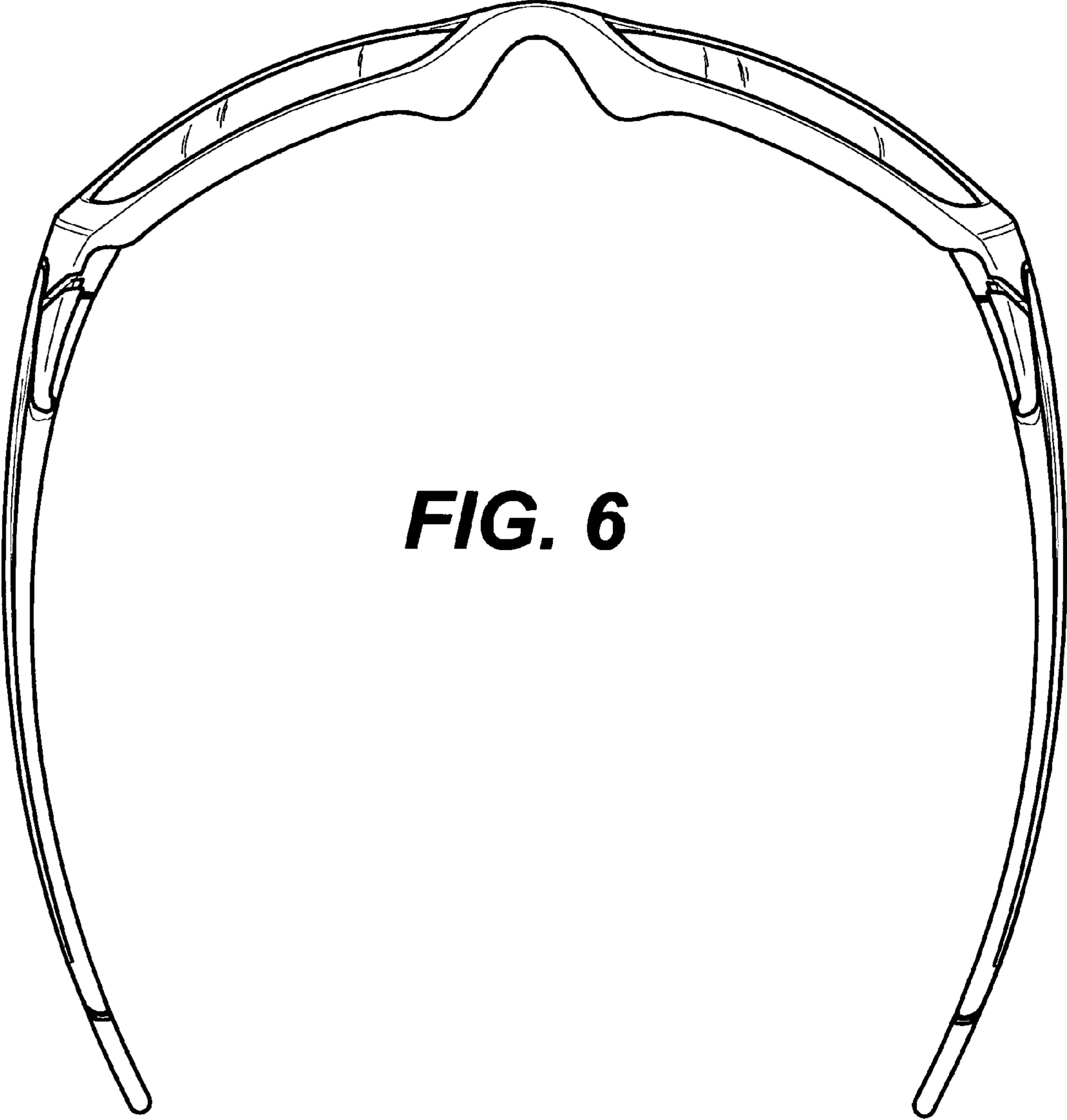


FIG. 6