



US00D610600S

(12) **United States Design Patent**
Sheppard et al.

(10) **Patent No.:** **US D610,600 S**
(45) **Date of Patent:** **** Feb. 23, 2010**

(54) **DIGITAL VIDEO CAMERA WITH BUILT-IN CONNECTOR**

(75) Inventors: **Nasahn Adam Sheppard**, Mill Valley, CA (US); **Maarten Dinger**, San Francisco, CA (US); **Allan Freas Velzy**, San Francisco, CA (US); **Peter Michaelian**, Tappan, NY (US); **Jaewon Samuel Kang**, Santa Clara, CA (US); **Lionel Jingles**, San Francisco, CA (US); **John Louis Warpakowski Furlan**, Belmont, CA (US); **Greg Allen Cummings**, San Francisco, CA (US)

(73) Assignee: **Cisco Technology, Inc.**, San Jose, CA (US)

(**) Term: **14 Years**

(21) Appl. No.: **29/328,155**

(22) Filed: **Nov. 19, 2008**

Related U.S. Application Data

(63) Continuation of application No. 29/304,515, filed on Mar. 3, 2008, now Pat. No. Des. 591,321.

(51) **LOC (9) Cl.** **16-05**

(52) **U.S. Cl.** **D16/219**

(58) **Field of Classification Search** D13/133, D13/147; D14/356; D16/200–204, 208, D16/218, 219; 348/373–376; 396/535, 540, 396/541

See application file for complete search history.

(56) **References Cited**

U.S. PATENT DOCUMENTS

3,001,461 A	9/1961	Irwin
D296,551 S	7/1988	Mizogui
D384,964 S	10/1997	Ito et al.
D401,257 S	11/1998	Iino
6,129,572 A	10/2000	Feldman et al.

(Continued)

OTHER PUBLICATIONS

Benderoff, Eric, "This Videocam is Easy to Keep at Fingertips," Chicago Tribune, May 17, 2006.

(Continued)

Primary Examiner—Adir Aronovich
(74) *Attorney, Agent, or Firm*—Patterson & Sheridan, LLP.

(57) **CLAIM**

The ornamental design for a digital video camera with a built-in connector, as shown and described.

DESCRIPTION

FIG. 1 is a front perspective view of a digital video camera with a built-in connector showing our new design.

FIG. 2 is a rear perspective view thereof.

FIG. 3 is a front perspective view thereof, with the connector being in an extended position.

FIG. 4 is a rear perspective view thereof, with the connector being in an extended position.

FIG. 5 is a right side elevational view thereof, with the connector being in an extended position.

FIG. 6 is a left side elevational view thereof, with the connector being in an extended position.

FIG. 7 is a top view thereof.

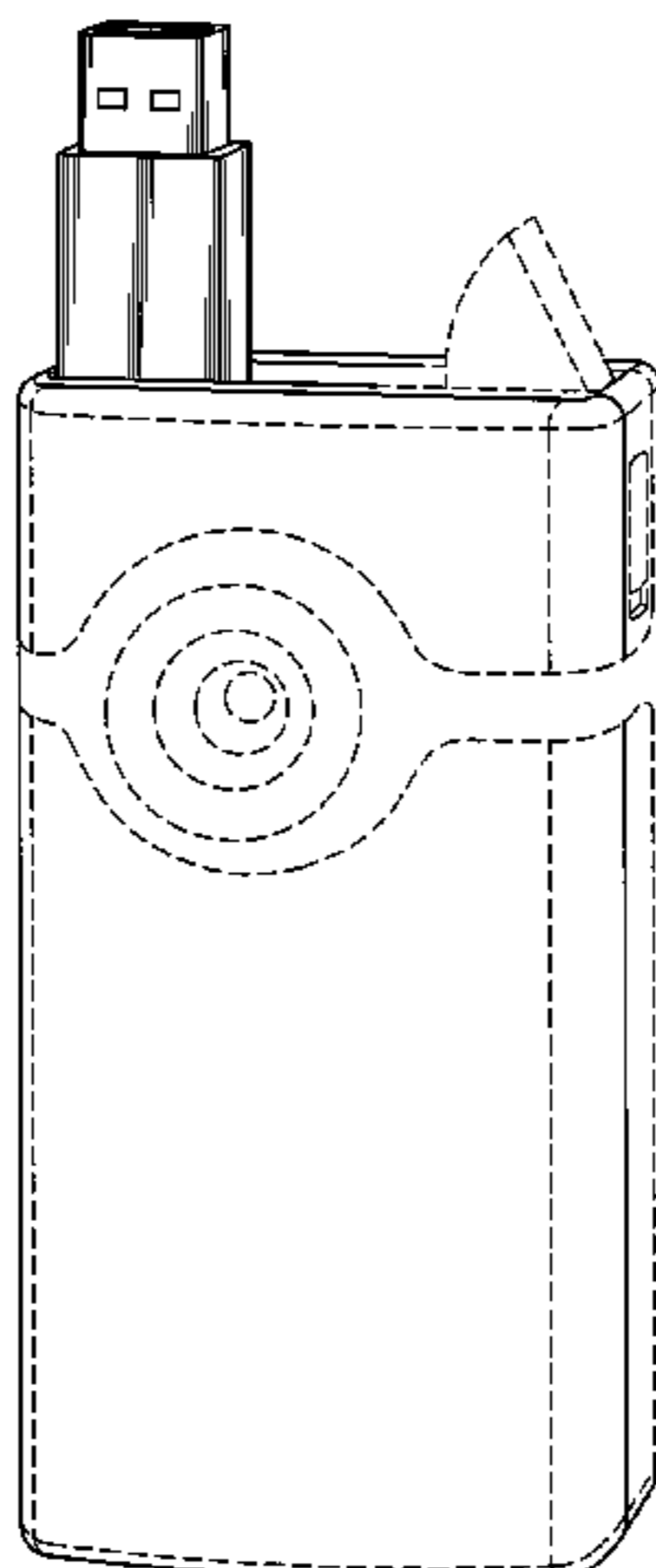
FIG. 8 is a top view thereof, with the connector being in an extended position.

FIG. 9 is a front elevational view thereof, with the connector being in an extended position; and,

FIG. 10 is a rear elevational view thereof, with the connector being in an extended position.

The broken line portions in all views are shown to illustrate environment only and form no part of the claimed design.

1 Claim, 8 Drawing Sheets



US D610,600 S

Page 2

U.S. PATENT DOCUMENTS

6,449,438	B1	9/2002	Gennetten	
D464,664	S	10/2002	Huang	
6,477,138	B1	11/2002	Cho et al.	
D467,259	S	12/2002	Hung et al.	
6,577,337	B1	6/2003	Kang	
6,587,151	B1	7/2003	Cipolla et al.	
6,628,325	B1	9/2003	Steinberg et al.	
D487,458	S *	3/2004	Gentil et al. D14/480.5
6,720,998	B1	4/2004	Kim	
6,727,952	B1	4/2004	Hirata et al.	
6,731,956	B2	5/2004	Hanna et al.	
6,743,030	B2	6/2004	Lin et al.	
6,750,902	B1	6/2004	Steinberg et al.	
6,784,941	B1	8/2004	Su et al.	
6,806,978	B1	10/2004	Tamura et al.	
6,819,355	B1	11/2004	Niikawa	
6,829,004	B1	12/2004	Abe	
6,833,863	B1	12/2004	Clemens	
6,873,356	B1	3/2005	Kanbe et al.	
6,941,021	B2	9/2005	Goldstein et al.	
6,950,142	B2	9/2005	Soumi et al.	
6,992,721	B1	1/2006	Kambayashi et al.	
7,004,780	B1 *	2/2006	Wang 439/353
7,025,275	B2	4/2006	Huang et al.	
7,126,629	B1	10/2006	Braunstein et al.	
D531,581	S *	11/2006	Wang et al. D13/147
7,142,244	B1	11/2006	Barbeau	
D552,141	S	10/2007	Kaplan et al.	
7,286,182	B2	10/2007	Silverbrook et al.	
7,286,256	B2	10/2007	Herbert	
7,349,010	B2	3/2008	BRYANT, et al.	
7,385,630	B2	6/2008	King et al.	
7,389,878	B1	6/2008	Torrico	
7,443,418	B2	10/2008	Bryant et al.	
D579,933	S *	11/2008	Deguchi D14/356
2002/0101515	A1	8/2002	Yoshida et al.	
2003/0207611	A1 *	11/2003	Lin et al. 439/501
2004/0145676	A1	7/2004	Lin	
2004/0155966	A1	8/2004	Jang et al.	
2004/0201692	A1	10/2004	Parulski et al.	
2004/0212966	A1 *	10/2004	Fisher et al. 361/726
2004/0263634	A1	12/2004	Kiuchi	
2005/0037647	A1	2/2005	Le	
2005/0050371	A1	3/2005	Ono	

2005/0060636	A1	3/2005	Mathe	
2005/0070225	A1	3/2005	Lee	
2005/0079738	A1	4/2005	Ahn	
2005/0099499	A1	5/2005	Braunstein et al.	
2005/0114587	A1	5/2005	Chou et al.	
2005/0157459	A1	7/2005	Yin et al.	
2005/0162508	A1	7/2005	Basmadjian et al.	
2005/0174710	A1	8/2005	Masui et al.	
2005/0177661	A1	8/2005	Loo	
2005/0210195	A1	9/2005	Teicher et al.	
2005/0237356	A1	10/2005	Lee	
2005/0237398	A1	10/2005	Fujii et al.	
2005/0253930	A1	11/2005	Endo et al.	
2005/0265099	A1	12/2005	Hosokawa	
2005/0280732	A1	12/2005	Misawa	
2005/0285963	A1	12/2005	Misawa et al.	
2006/0015662	A1	1/2006	Dietz et al.	
2006/0036784	A1	2/2006	Loo	
2006/0064185	A1	3/2006	Yeh	
2006/0075411	A1	4/2006	Yeh	
2006/0092302	A1	5/2006	Lee	
2006/0103737	A1	5/2006	Okisu et al.	
2006/0109349	A1	5/2006	Takashima	
2006/0216973	A1	9/2006	Walmsley et al.	
2006/0223369	A1	10/2006	Zheng	
2007/0022232	A1	1/2007	Bhakta et al.	
2007/0093093	A1	4/2007	Lev et al.	
2007/0242066	A1	10/2007	Rosenthal	
2008/0014829	A1	1/2008	Dyer et al.	
2009/0109329	A1	4/2009	Cummings et al.	

OTHER PUBLICATIONS

Colker, David. "Gizmo Report: Small Device Creates Instant Video," Los Angeles Times, May 26, 2006.

Graham, Jefferson. "New breed of tiny camcorder simple to use, easy on wallet," USA Today, May 1, 2006.

Mossberg, et al. "The Video Camera Revised," Wall Street Journal, May 3, 2006.

Pure Digital "Point and Shoot" Camcorder, released May 1, 2006 (pp. 1-7).

Pure Digital Flip Video Ultra Series, released Sep. 12, 2007 (pp. 1-7).

Pure Digital Flip Video, released May 1, 2007 (1 page).

U.S. Appl. No. 11/497,039, filed Jul. 31, 2006.

U.S. Appl. No. 60/983,121, filed Oct. 26, 2007.

* cited by examiner

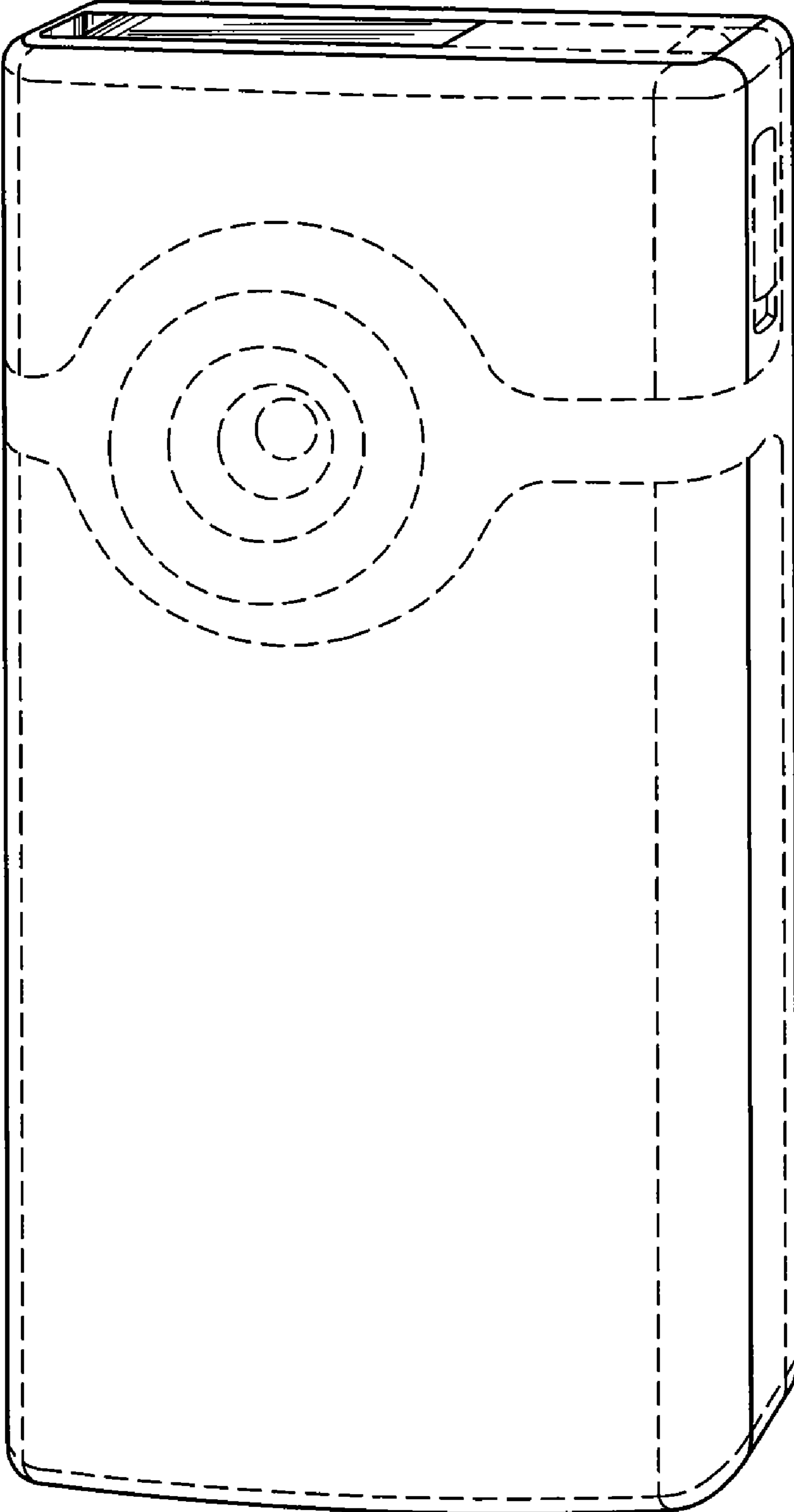


FIG. 1

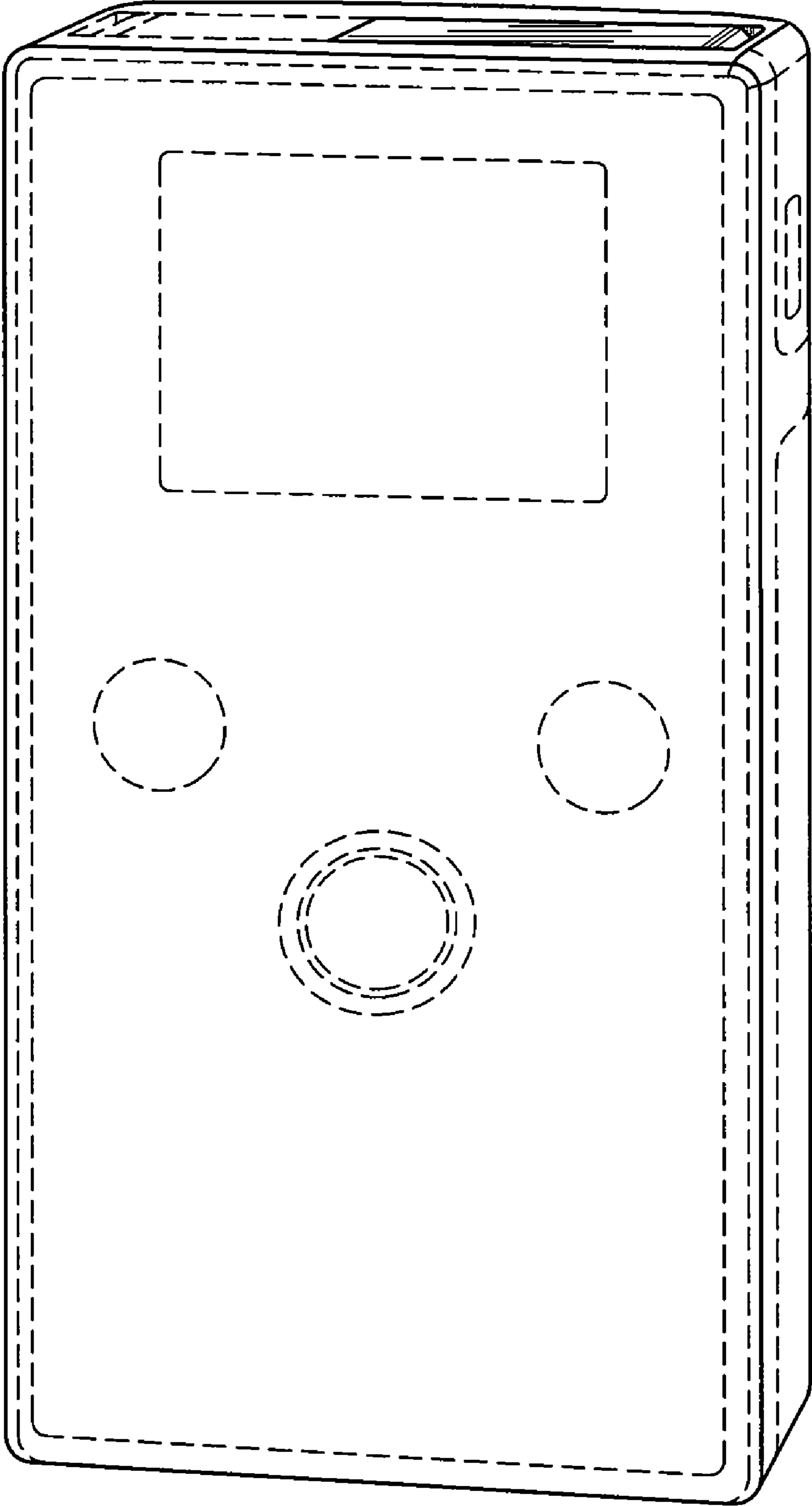


FIG.2

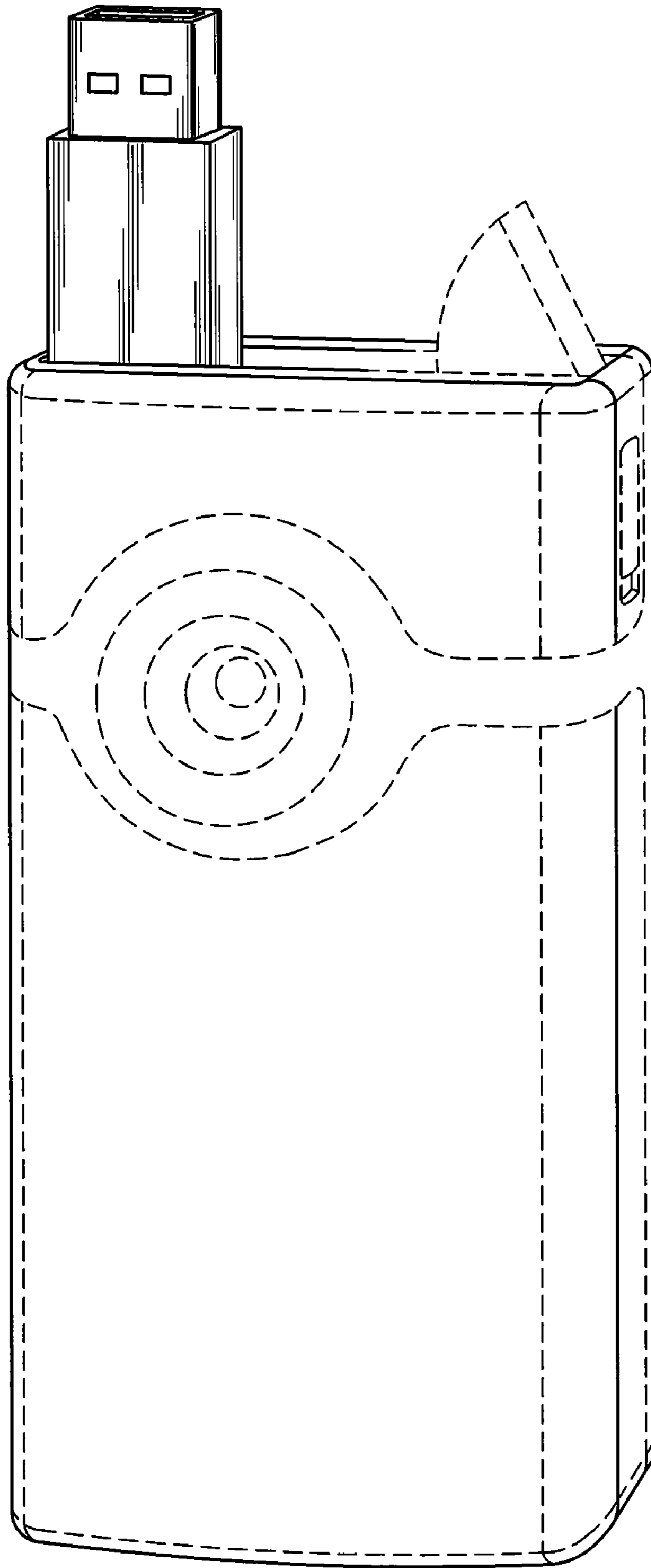


FIG.3

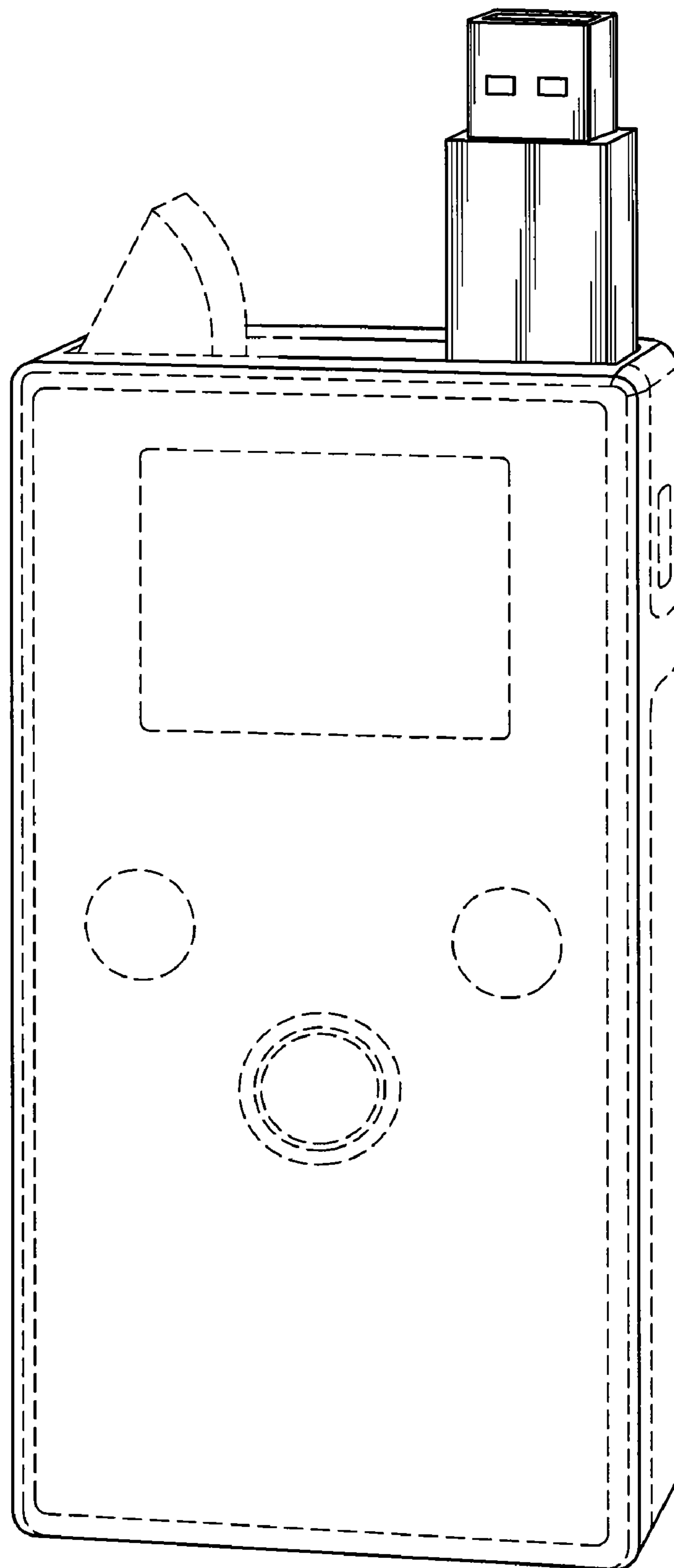


FIG. 4

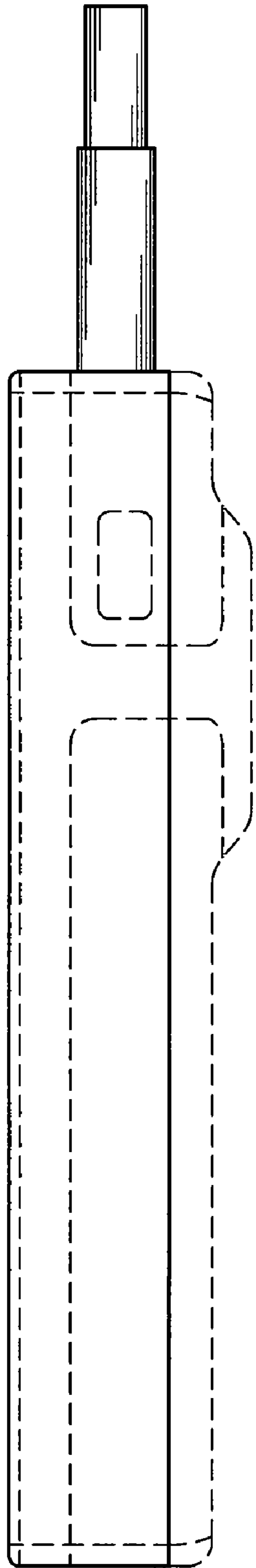


FIG. 5

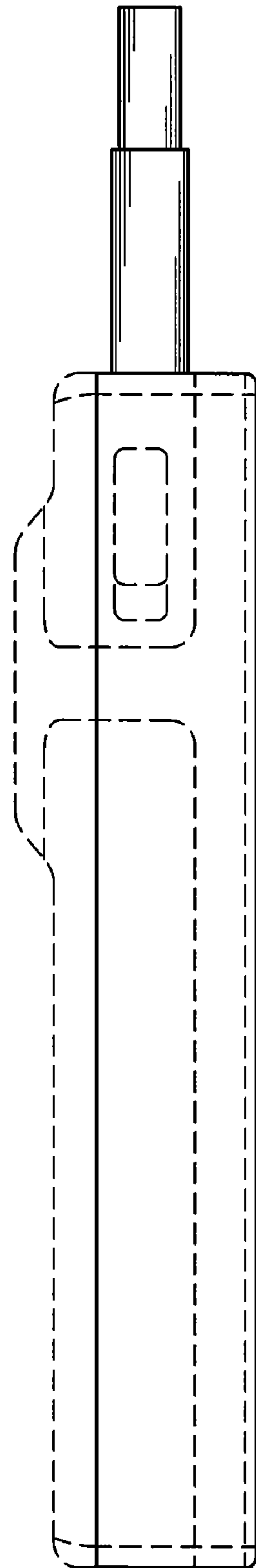


FIG. 6

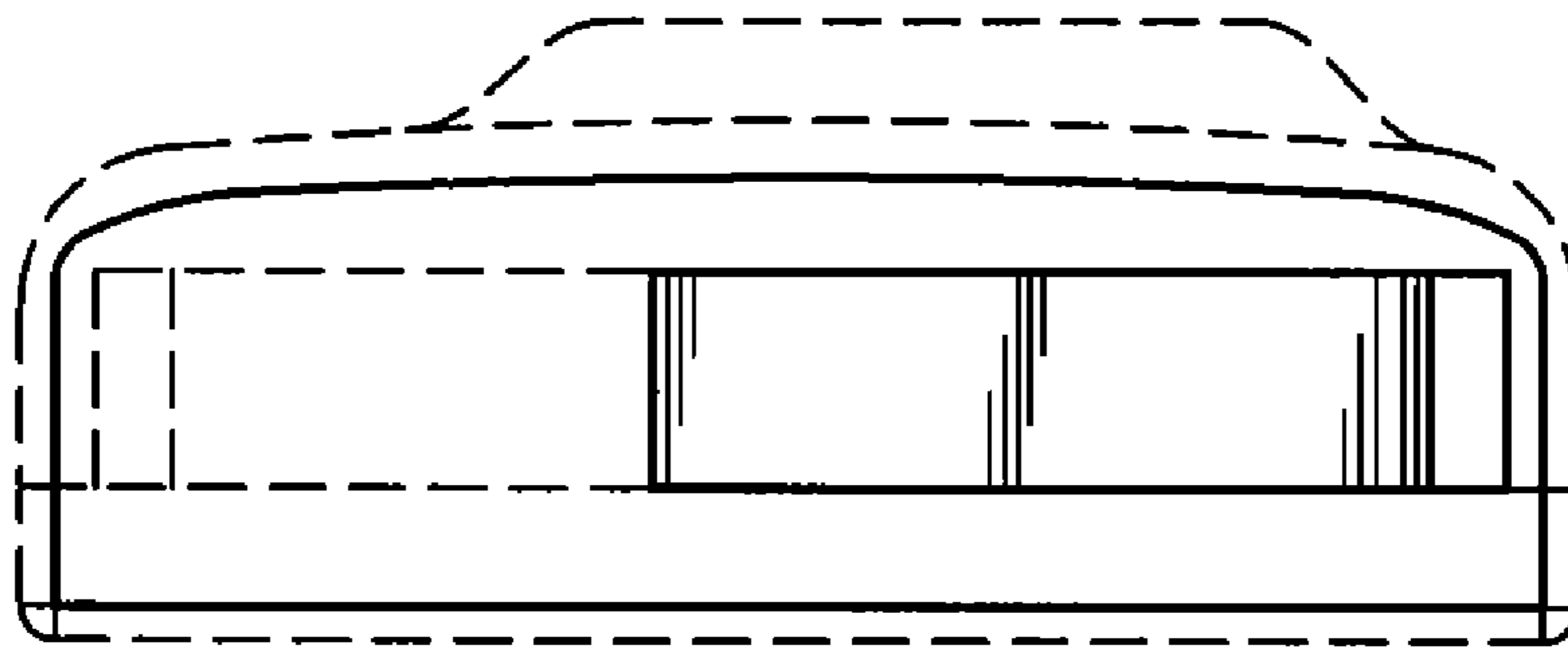


FIG. 7

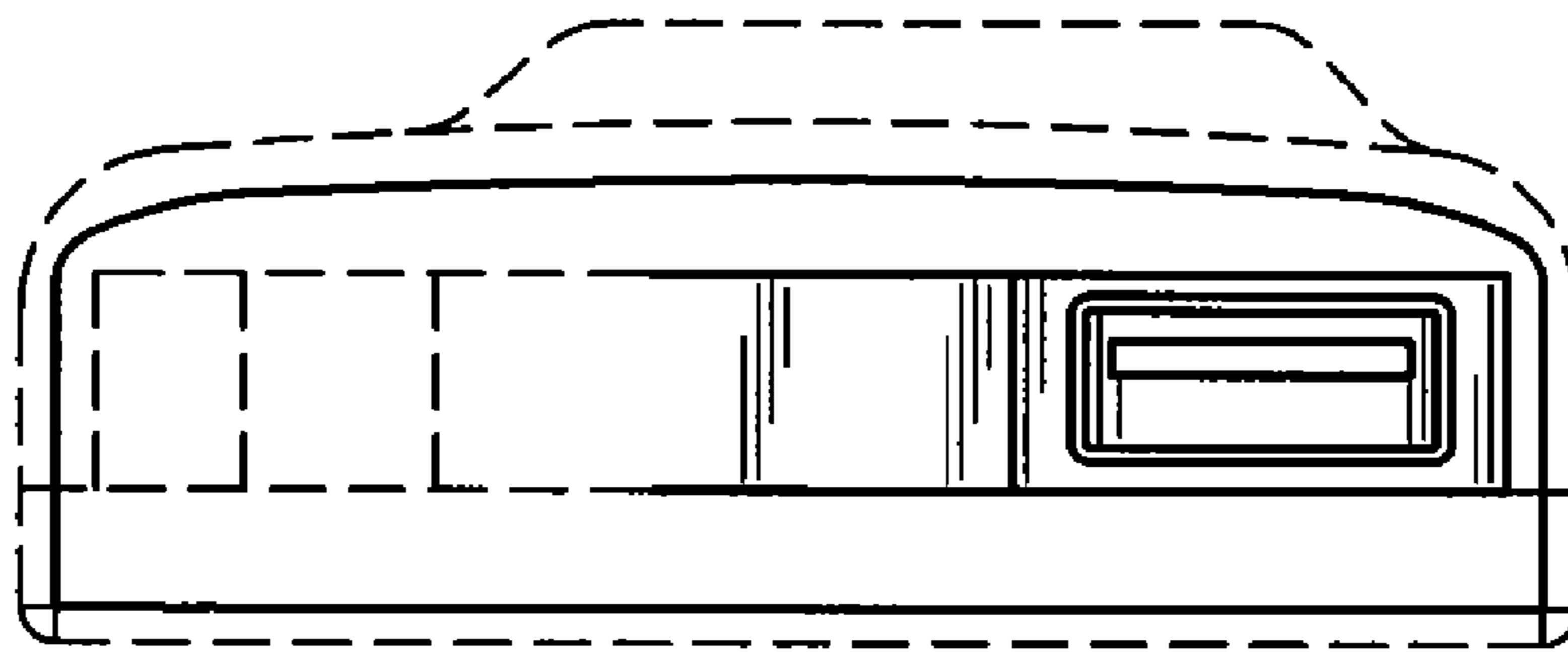


FIG. 8

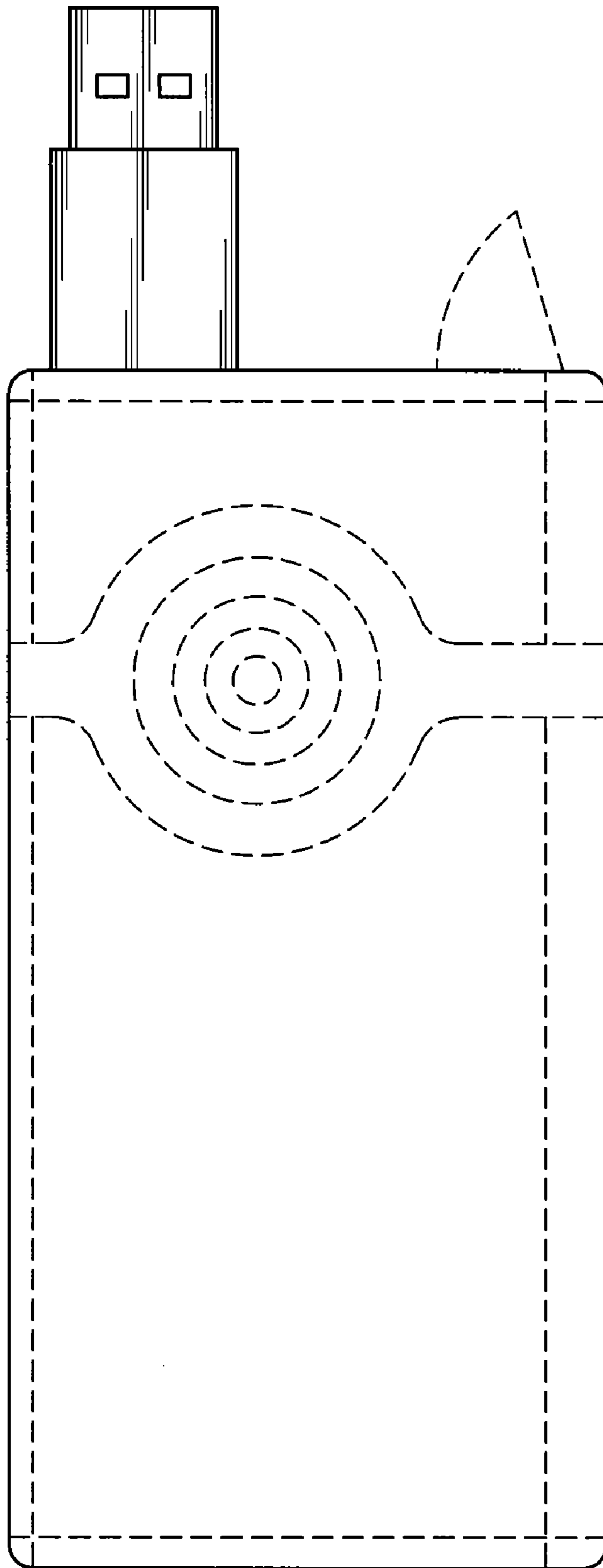


FIG.9

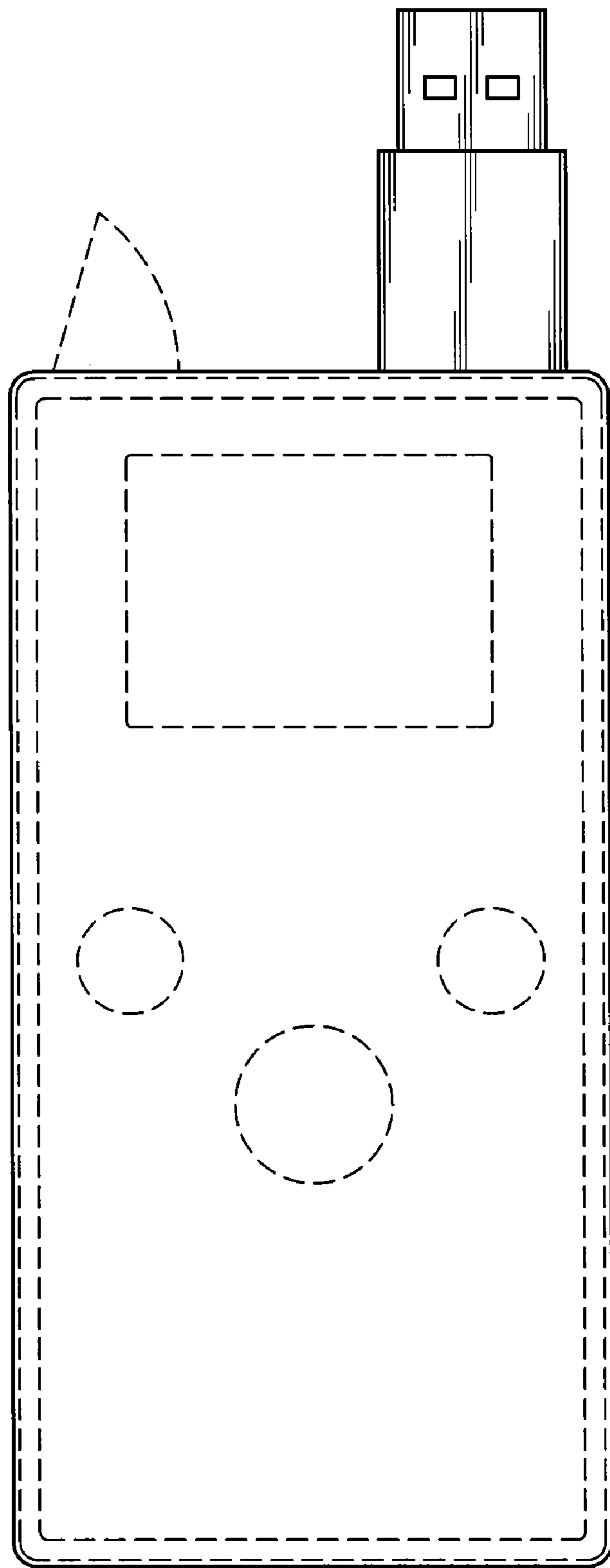


FIG. 10