



US00D610596S

(12) **United States Design Patent**
Mizushima

(10) **Patent No.:** **US D610,596 S**

(45) **Date of Patent:** **** Feb. 23, 2010**

(54) **WORKING BOX FOR FUSION SPLICER**

(75) Inventor: **Toshiro Mizushima**, Sakura (JP)

(73) Assignee: **Fujikura Ltd.**, Tokyo (JP)

(**) Term: **14 Years**

(21) Appl. No.: **29/300,952**

(22) Filed: **Jun. 4, 2008**

(51) **LOC (9) Cl.** **15-09**

(52) **U.S. Cl.** **D15/127**

(58) **Field of Classification Search** D15/127,
D15/199; 65/4.3, 11.1, 269, 272, 501; 219/121.37;
350/96.2, 96.21, 320; 385/95, 96, 97, 134
See application file for complete search history.

(56) **References Cited**

U.S. PATENT DOCUMENTS

5,002,351	A *	3/1991	Szanto et al.	385/96
D333,827	S *	3/1993	Tell	D15/199
6,206,583	B1 *	3/2001	Hishikawa et al.	385/96
D552,139	S *	10/2007	Cho	D15/199
7,412,146	B2 *	8/2008	Sato et al.	385/134
7,438,485	B2 *	10/2008	Tabata et al.	385/97
2001/0041035	A1 *	11/2001	Uchida et al.	385/96
2004/0213526	A1 *	10/2004	Inoue et al.	385/96
2005/0041938	A1 *	2/2005	Hattori et al.	385/96
2005/0163447	A1 *	7/2005	Takahashi et al.	385/134

2006/0280417 A1* 12/2006 Sato et al. 385/134
2009/0136186 A1* 5/2009 Ozawa et al. 385/96

* cited by examiner

Primary Examiner—Sandra Snapp

Assistant Examiner—Patricia Palasik

(74) *Attorney, Agent, or Firm*—Nixon & Vanderhye P.C.

(57) **CLAIM**

The ornamental design for a working box for fusion splicer, as shown and described.

DESCRIPTION

FIG. 1 is a front elevation view of a working box for fusion splicer.

FIG. 2 is a rear elevation view thereof.

FIG. 3 is a left side elevation view thereof.

FIG. 4 is a right side elevation view thereof.

FIG. 5 is a top plan view thereof.

FIG. 6 is a bottom plan view thereof.

FIG. 7 is a perspective view thereof.

FIG. 8 is an exploded perspective view thereof; and,

FIG. 9 is a perspective view thereof showing the lid opened.

The portion of the article shown in broken lines is for illustrative purpose only and forms no part of the claimed design.

1 Claim, 9 Drawing Sheets

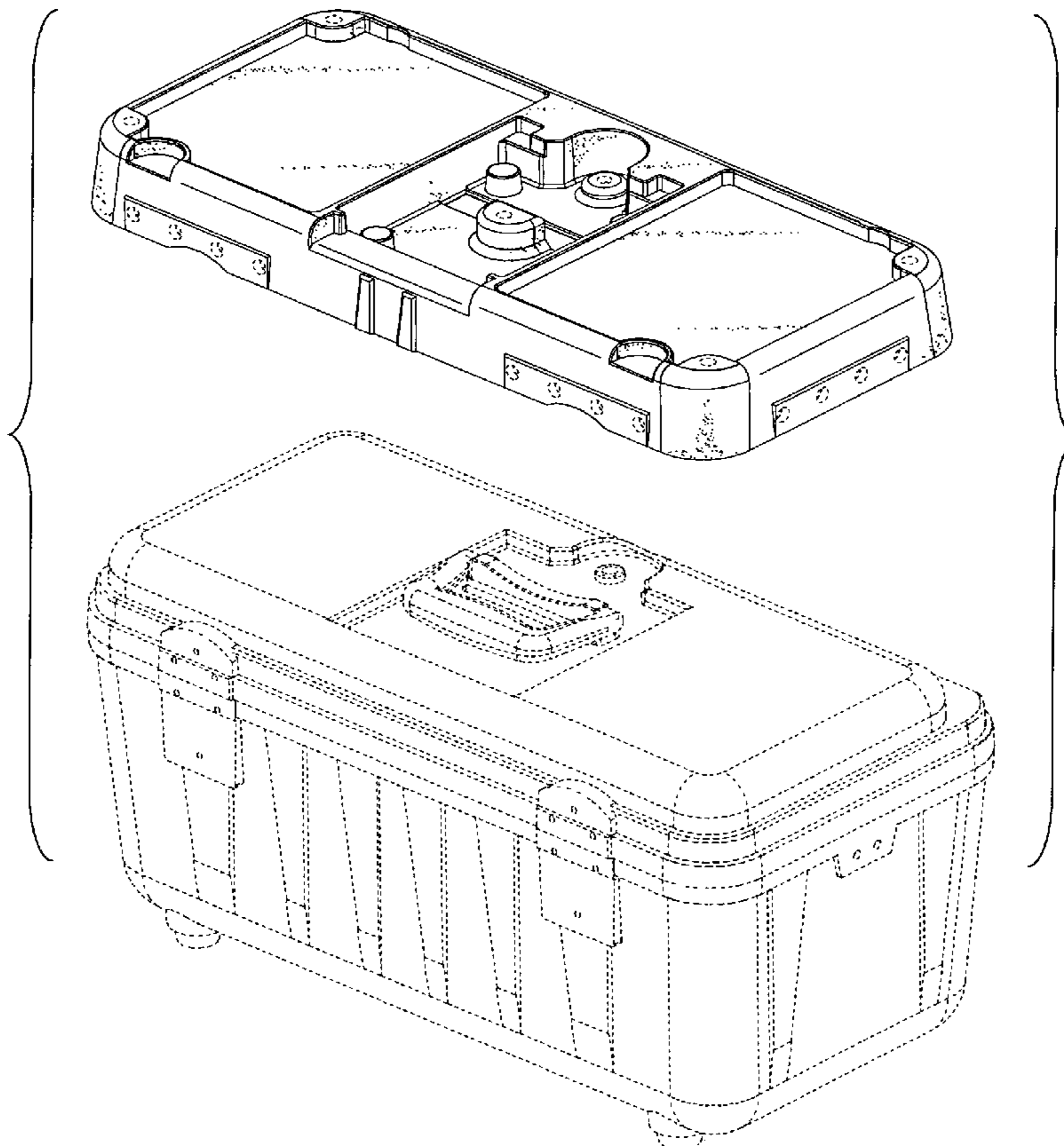


FIG. 1

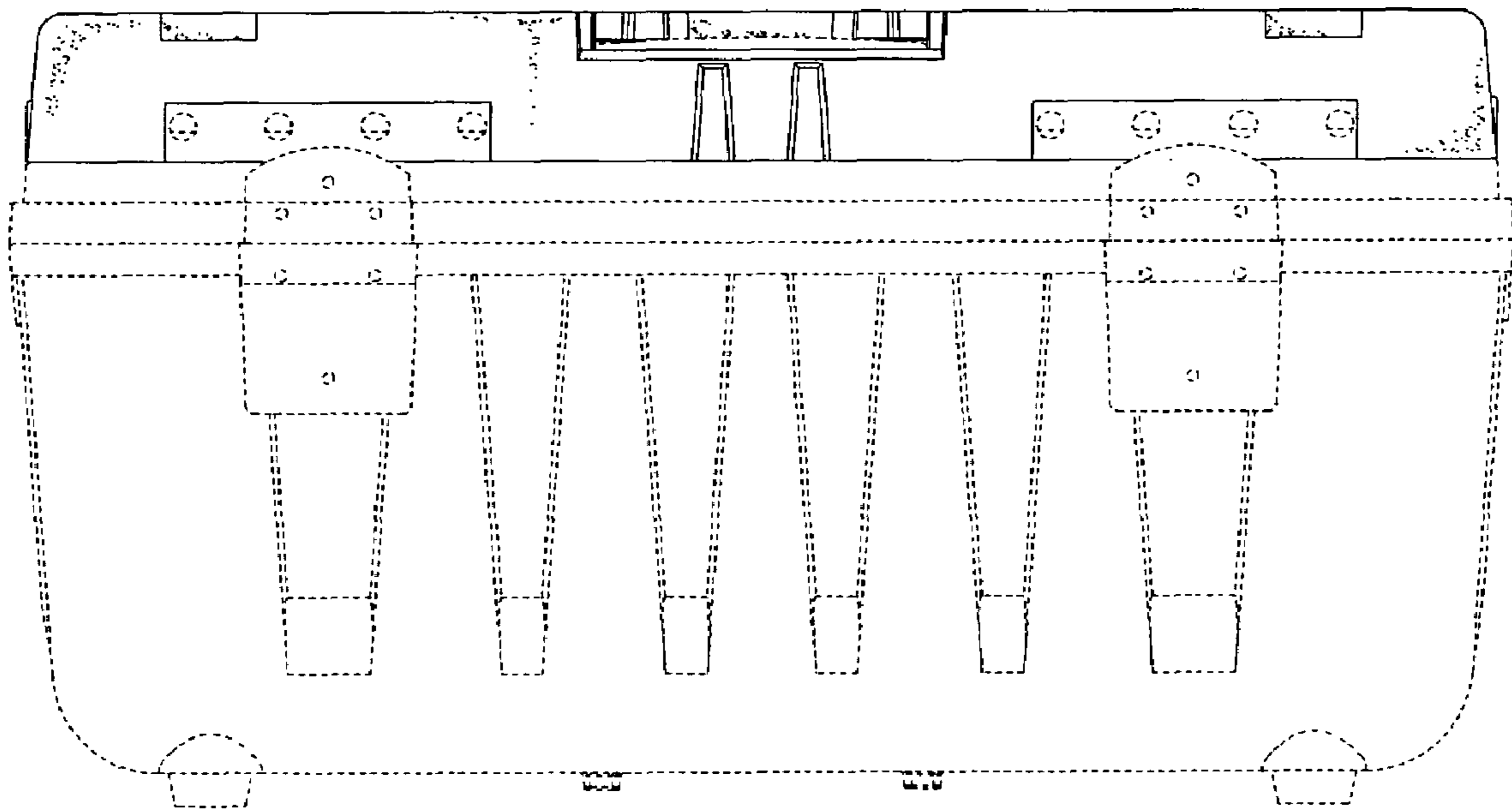


FIG. 2

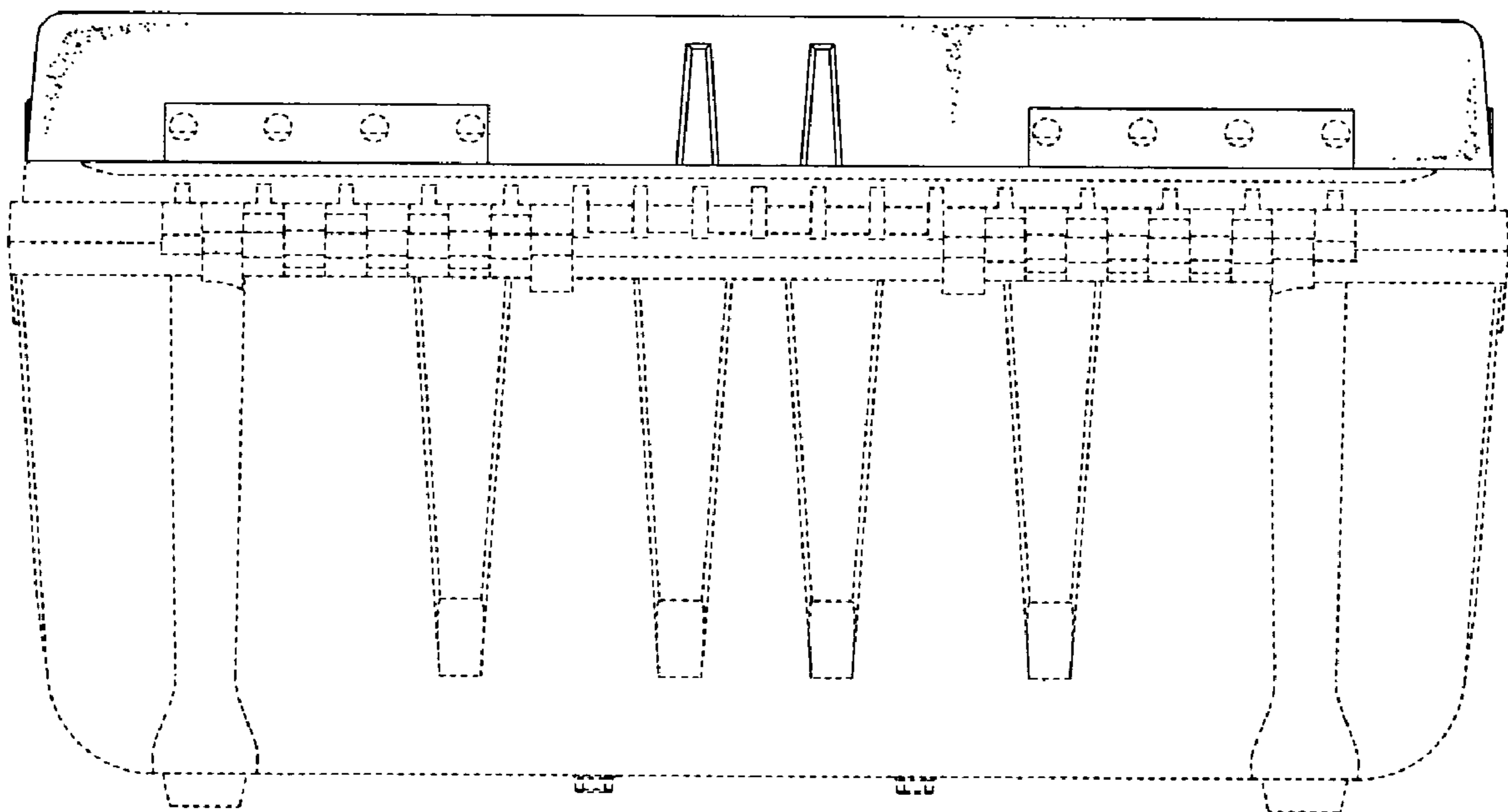


FIG. 3

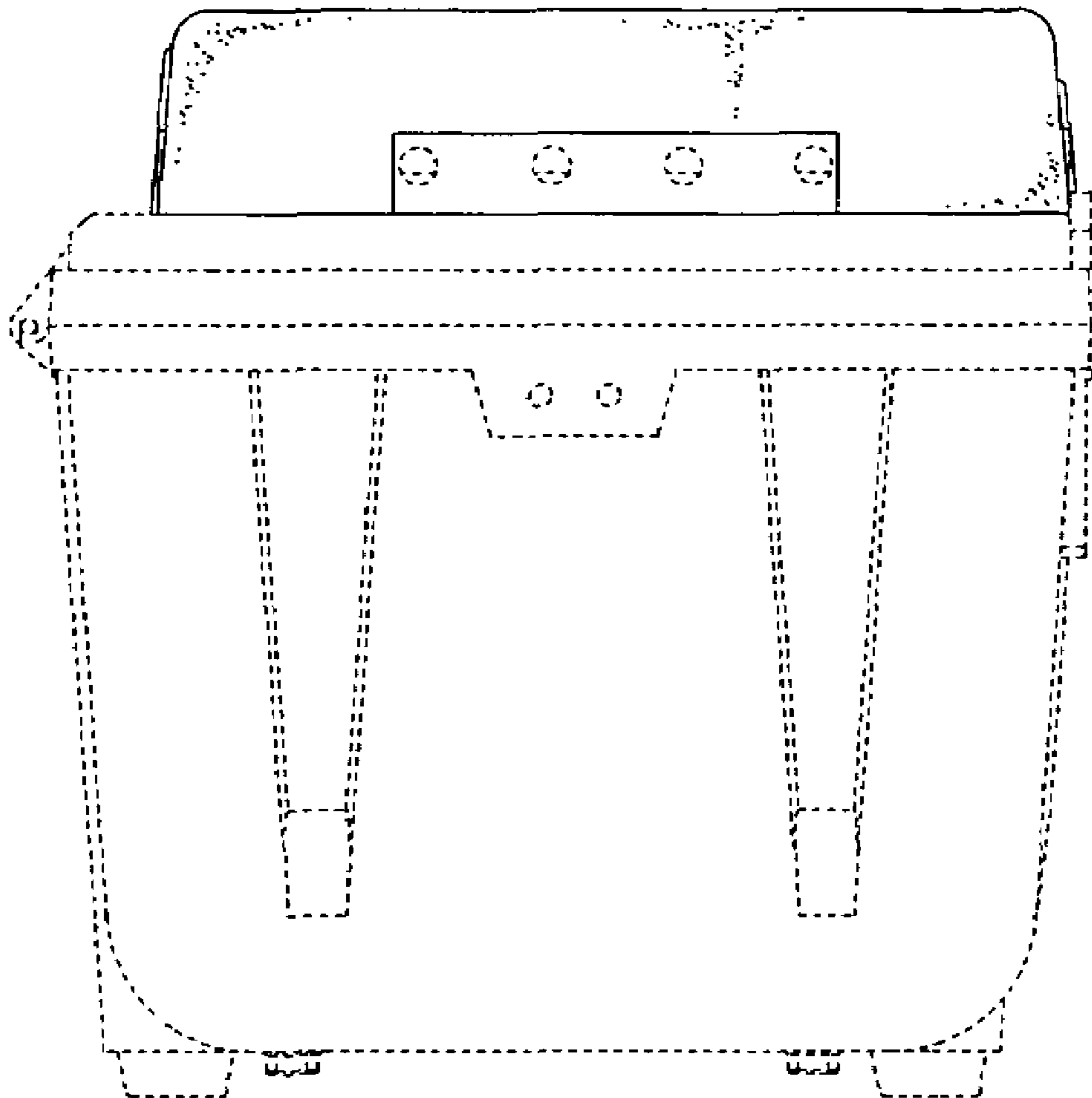


FIG. 4

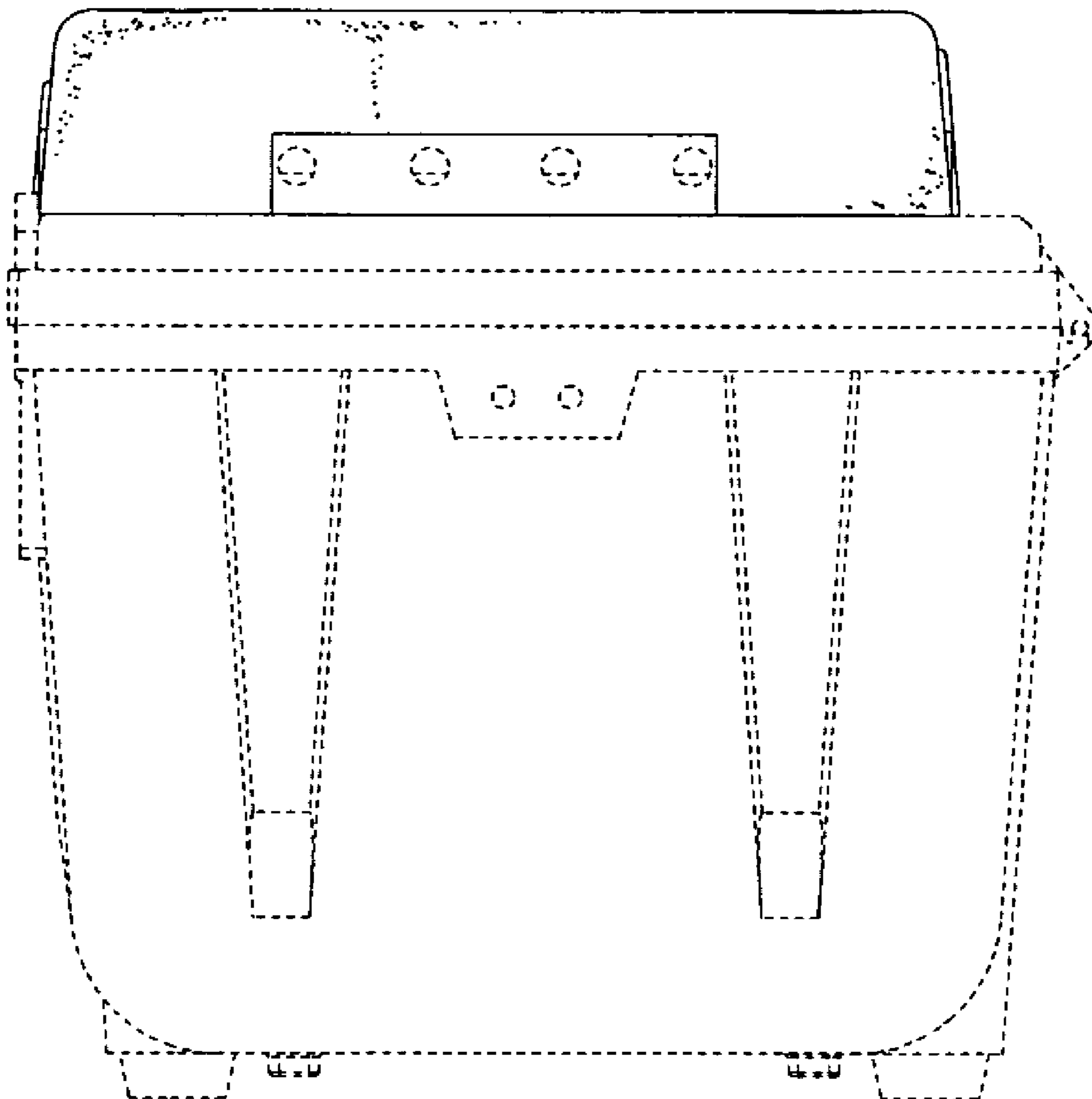


FIG. 5

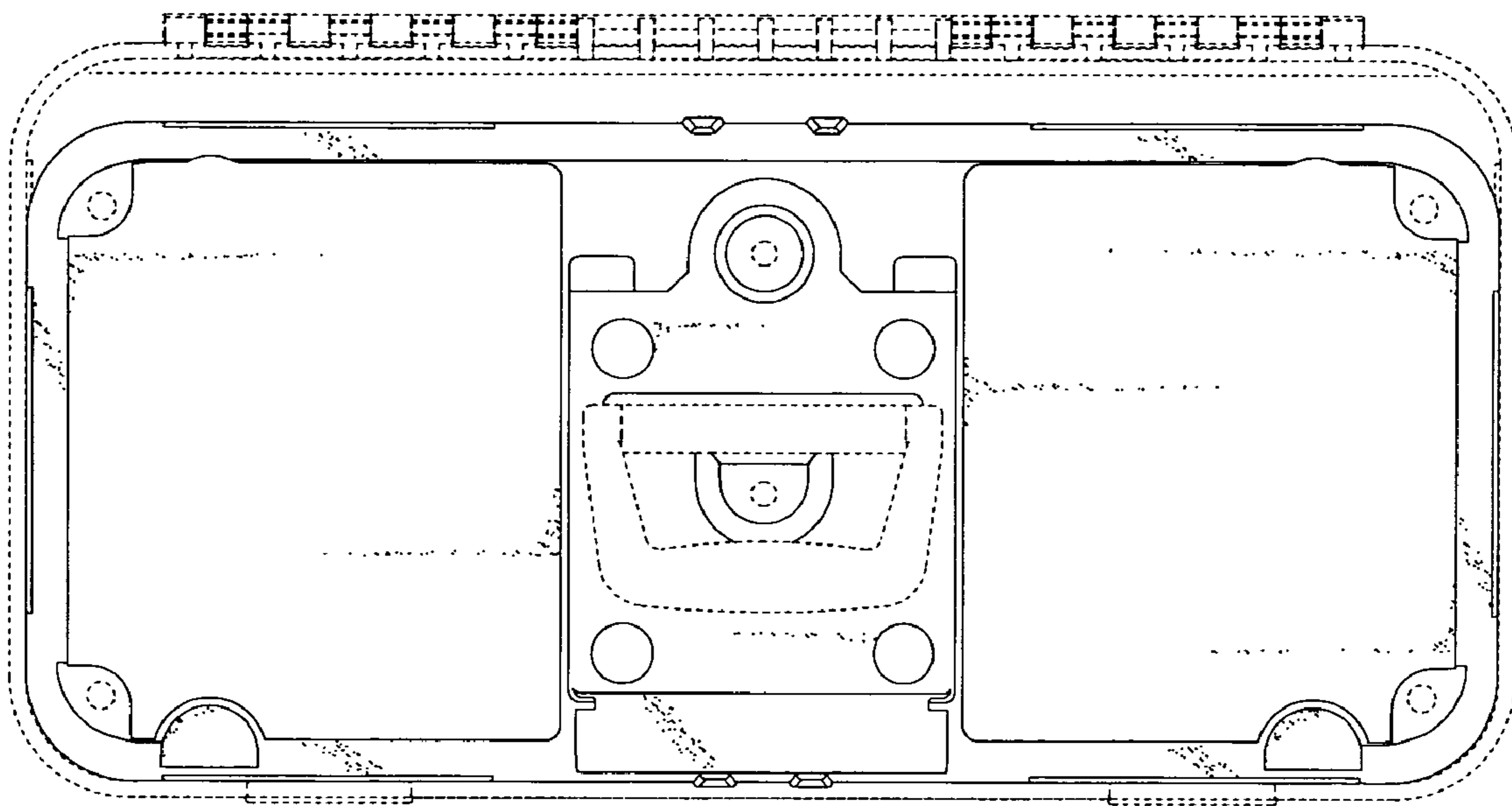


FIG. 6

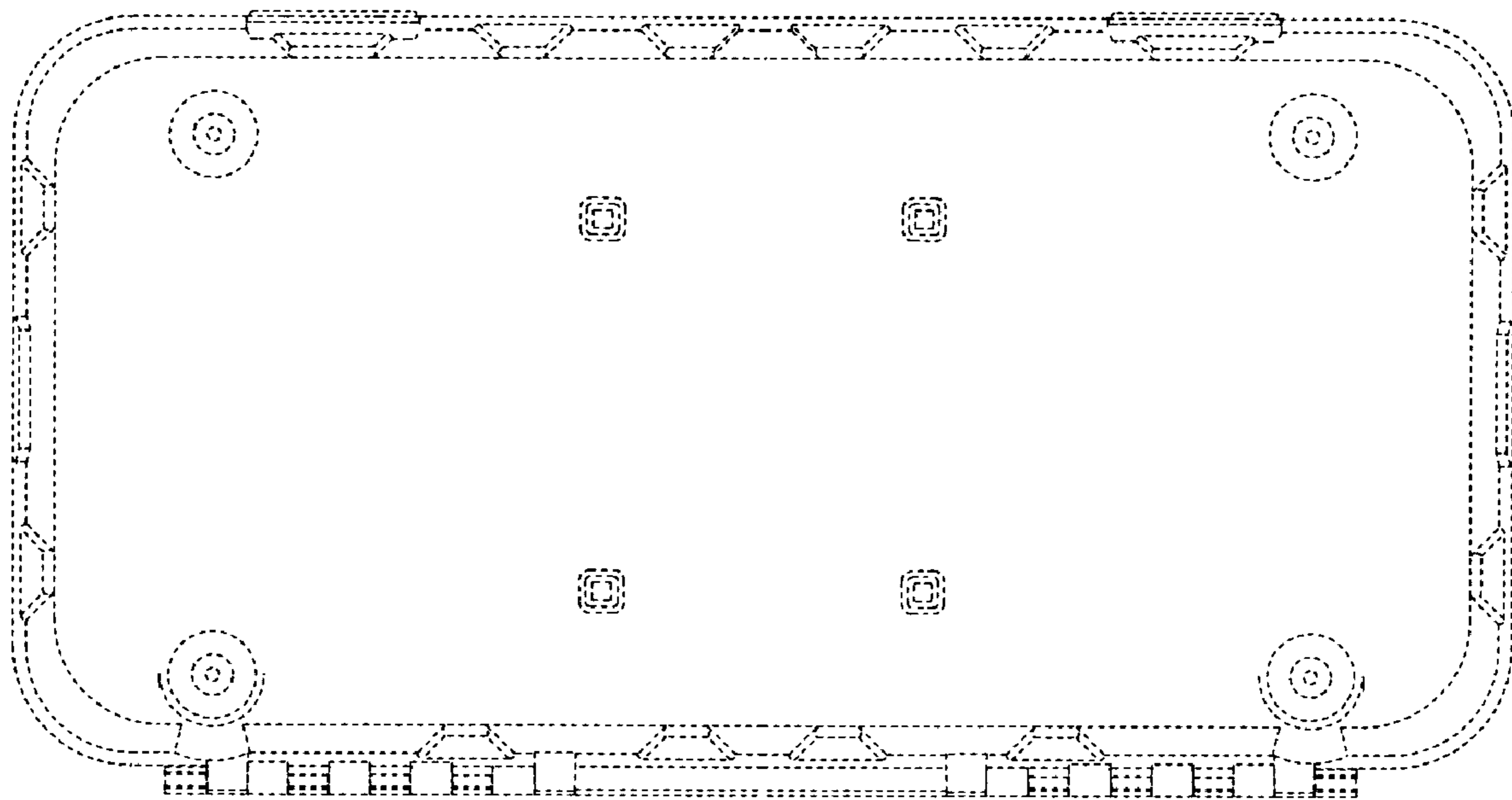


FIG. 7

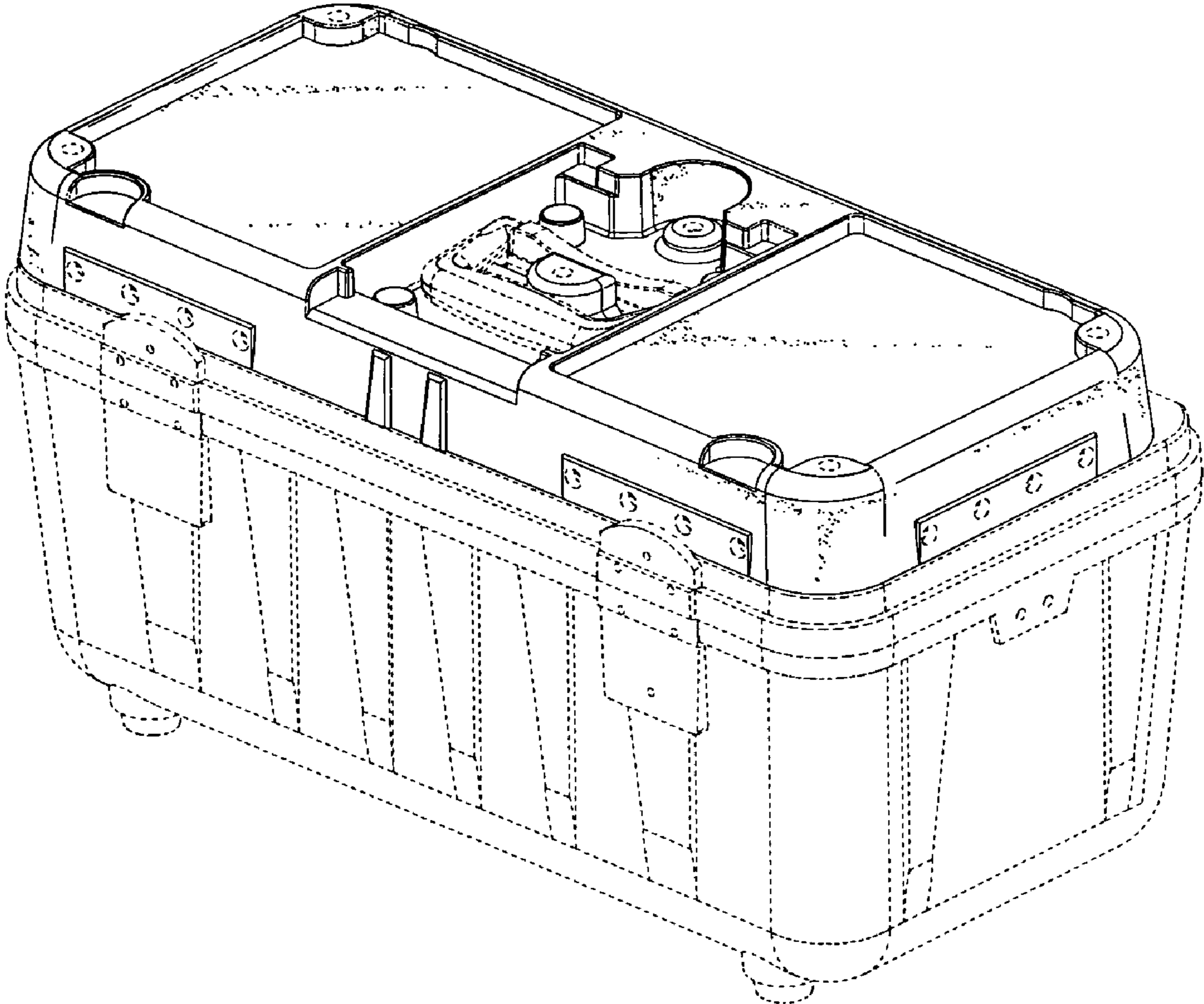


FIG. 8

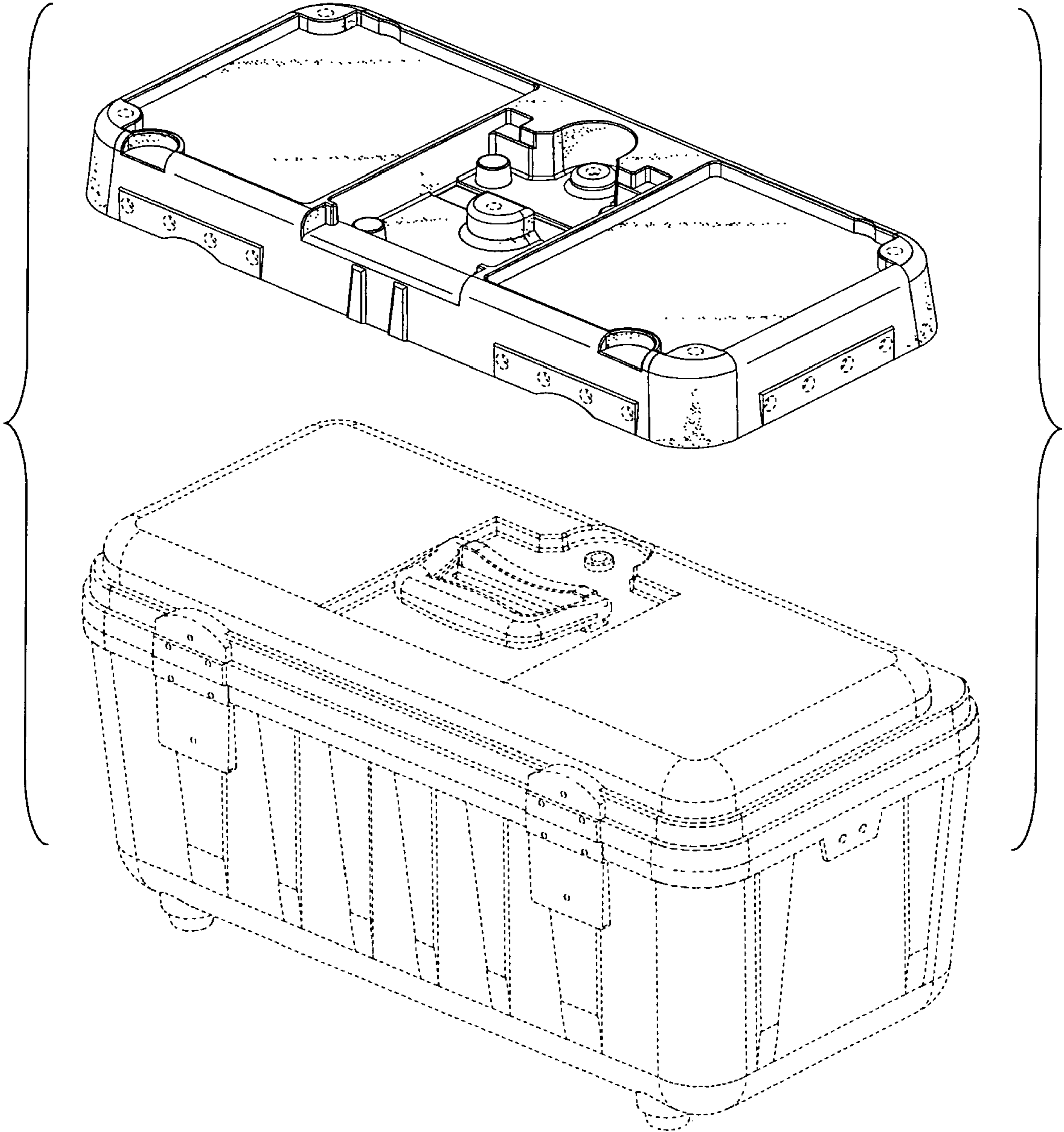


FIG. 9

