



US00D610591S

(12) **United States Design Patent**
Choi et al.

(10) **Patent No.:** **US D610,591 S**

(45) **Date of Patent:** **** Feb. 23, 2010**

(54) **PUSH BROADCAST SPREADER**

D338,893 S 8/1993 Simpson

(75) Inventors: **Charles Y. Choi**, Chicago, IL (US);
Mark R. Pavel, Downers Grove, IL (US)

D338,894 S 8/1993 Simpson

5,294,060 A 3/1994 Thompson

(73) Assignee: **Agri-Fab, Inc.**, Sullivan, IL (US)

(**) Term: **14 Years**

(Continued)

(21) Appl. No.: **29/343,562**

Primary Examiner—Ian Simmons

Assistant Examiner—Mark A Goodwin

(22) Filed: **Sep. 15, 2009**

(74) *Attorney, Agent, or Firm*—Vedder Price P.C.

Related U.S. Application Data

(62) Division of application No. 29/333,478, filed on Mar. 10, 2009, now Pat. No. Des. 602,046.

(51) **LOC (9) Cl.** **15-03**

(52) **U.S. Cl.** **D15/13**

(58) **Field of Classification Search** D15/13,
D15/17, 27, 28; 222/625, 502, 45, 228, 162,
222/174, 614, 624, 650; 239/681–689, 666,
239/663, 650, 652, 655, 664, 665

See application file for complete search history.

(56) **References Cited**

U.S. PATENT DOCUMENTS

2,514,962 A	7/1950	McElhatton
2,988,250 A	6/1961	Ryan
3,135,517 A	6/1964	Klema
3,383,055 A	5/1968	Speicher
3,484,845 A	12/1969	Warner et al.
3,979,071 A	9/1976	Biggs, Jr.
4,032,074 A	6/1977	Amerine
4,402,438 A	9/1983	Gregory
4,511,090 A	4/1985	Morgan
4,548,362 A	10/1985	Doering
D282,931 S	3/1986	Doering et al.
4,671,434 A	6/1987	Johnston et al.
4,681,265 A	7/1987	Brabb et al.
4,867,381 A	9/1989	Speicher
4,903,541 A	2/1990	Shiota
4,991,781 A	2/1991	Barbieri
5,145,116 A	9/1992	Shaver
5,190,225 A	3/1993	Williams

(57) **CLAIM**

We claim the ornamental design for the push broadcast spreader, as shown and described.

DESCRIPTION

FIG. 1 is a top side rear perspective view of a push broadcast spreader showing our new design;

FIG. 2 is a front elevation view of the push broadcast spreader of FIG. 1;

FIG. 3 is a rear elevation view of the push broadcast spreader of FIG. 1;

FIG. 4 is a first side view of the push broadcast spreader of FIG. 1;

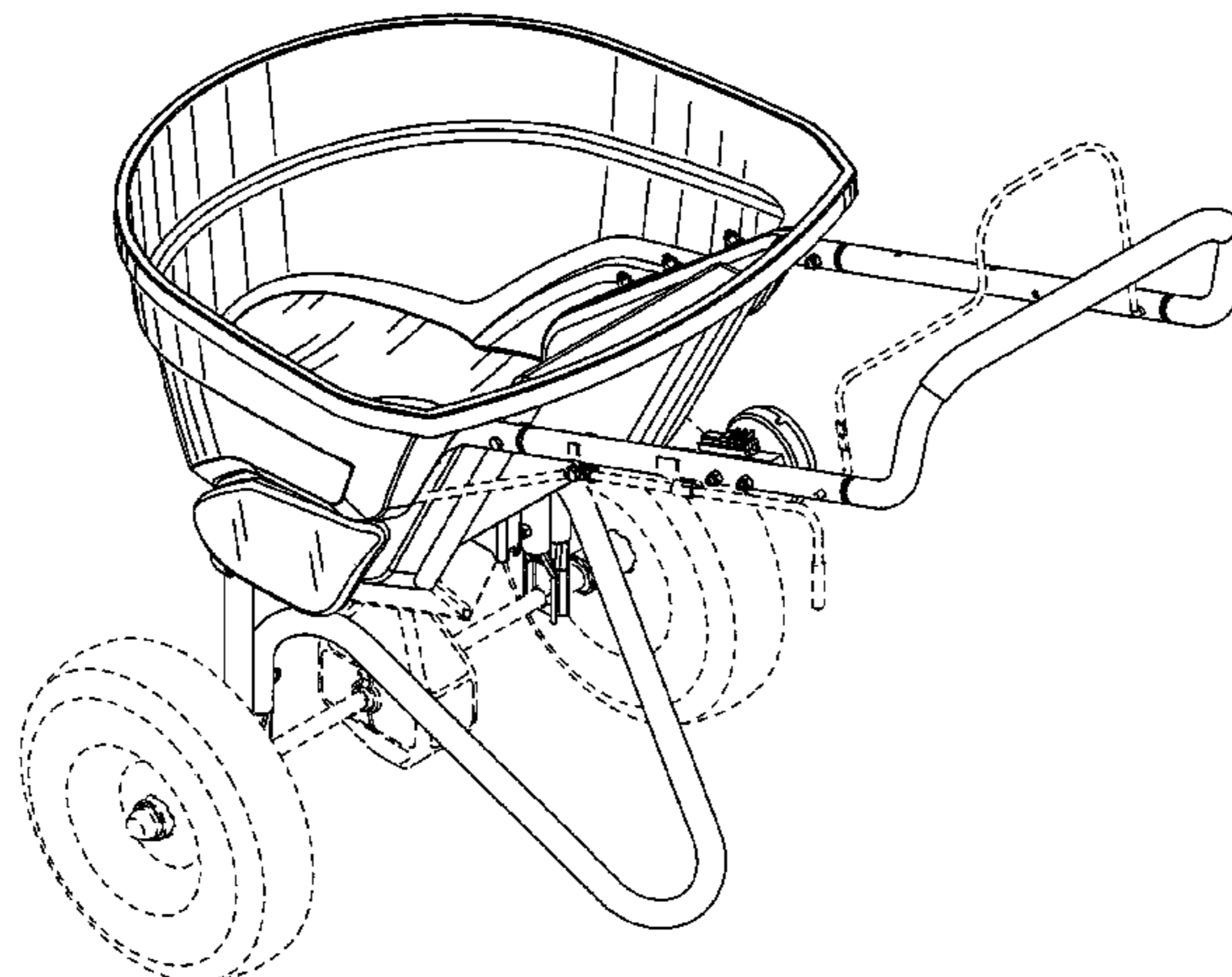
FIG. 5 is a second side view of the push broadcast spreader of FIG. 1;

FIG. 6 is a bottom plan view of the push broadcast spreader of FIG. 1; and,

FIG. 7 is a top plan view of the push broadcast spreader of FIG. 1.

The broken line showing of the frame and wheels is included for the purpose of illustrating portions of the push broadcast spreader and forms no part of the claimed design.

1 Claim, 7 Drawing Sheets



US D610,591 S

Page 2

U.S. PATENT DOCUMENTS					
			5,842,648 A	12/1998	Havlovitz et al.
			D413,903 S	9/1999	Spear
			D413,904 S	9/1999	Spear
			D414,783 S	10/1999	Spear
			5,966,846 A	10/1999	Harms et al.
			6,138,927 A	10/2000	Spear et al.
			D476,341 S	6/2003	Booten et al.
			6,616,074 B2	9/2003	Courtney et al.
			D490,088 S	5/2004	Powell et al.
			D496,052 S	9/2004	Braime et al.
			D498,772 S	11/2004	Greene
			6,945,481 B2	9/2005	Thompson et al.
			7,063,280 B1	6/2006	Bogart et al.
			2008/0078850 A1	4/2008	Bowsher
					* cited by examiner
5,340,033 A	8/1994	Whitell			
5,370,321 A	12/1994	Bianco			
5,410,824 A	5/1995	Pedersen			
D359,963 S	7/1995	Pink et al.			
5,485,963 A	1/1996	Walto et al.			
D368,914 S	4/1996	Pink et al.			
D371,142 S	6/1996	Delaby et al.			
D371,780 S *	7/1996	Havlovitz D15/13			
D373,367 S *	9/1996	Havlovitz D15/13			
5,570,814 A	11/1996	Havlovitz			
D376,155 S	12/1996	Havlovitz			
5,584,732 A	12/1996	Owen			
5,597,092 A	1/1997	Havlovitz			
D384,679 S	10/1997	Havlovitz et al.			

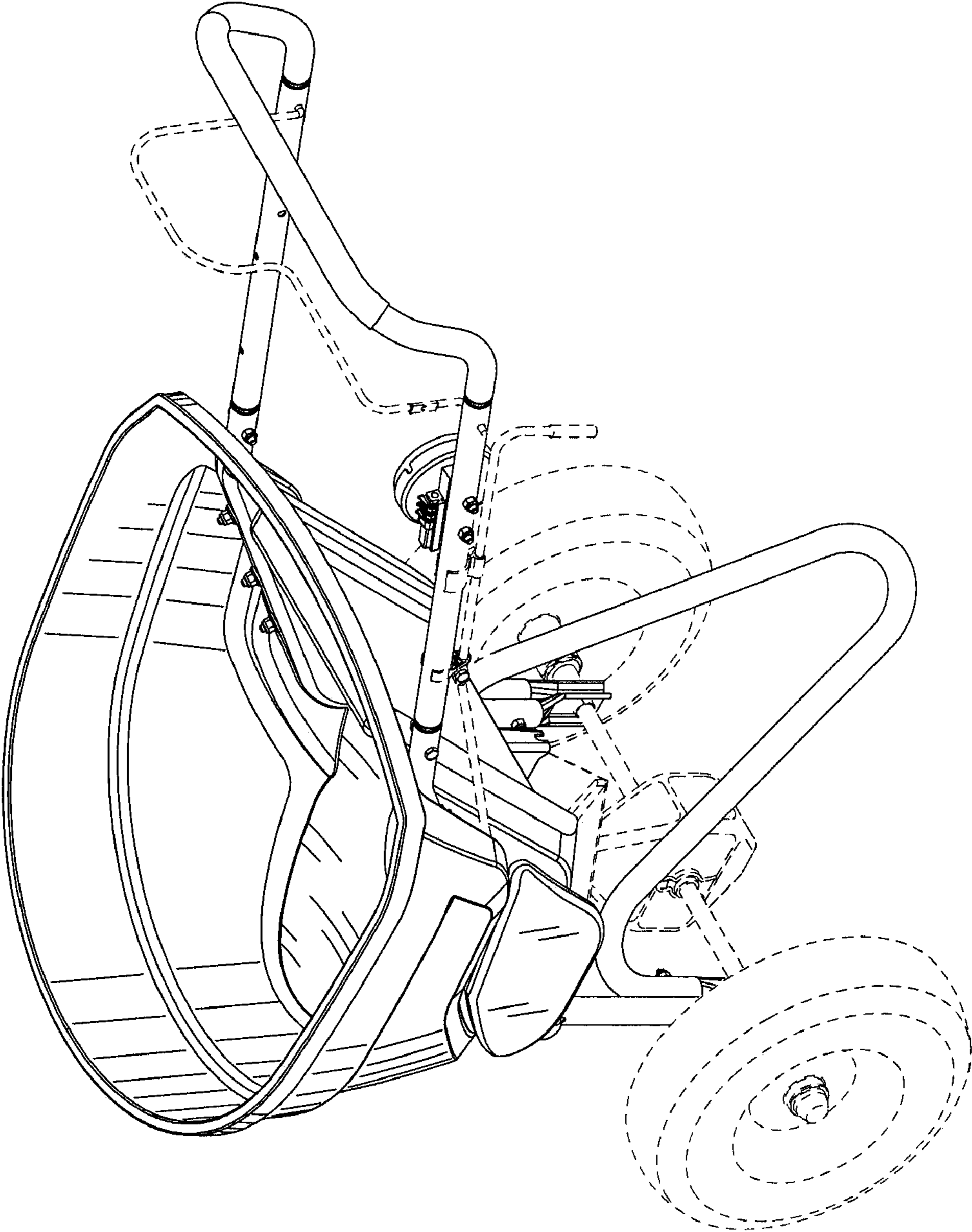


FIG. 1

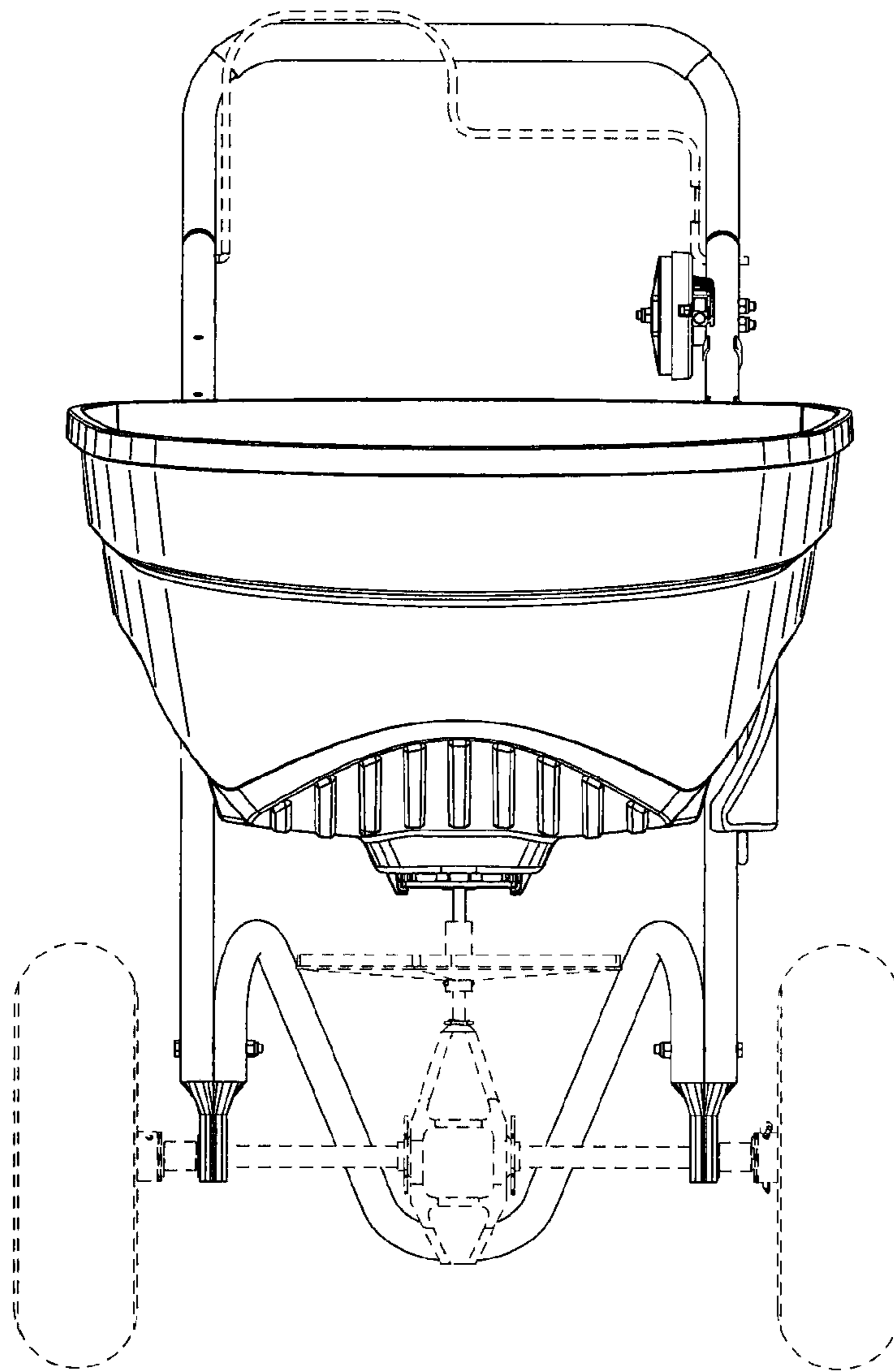


FIG. 2

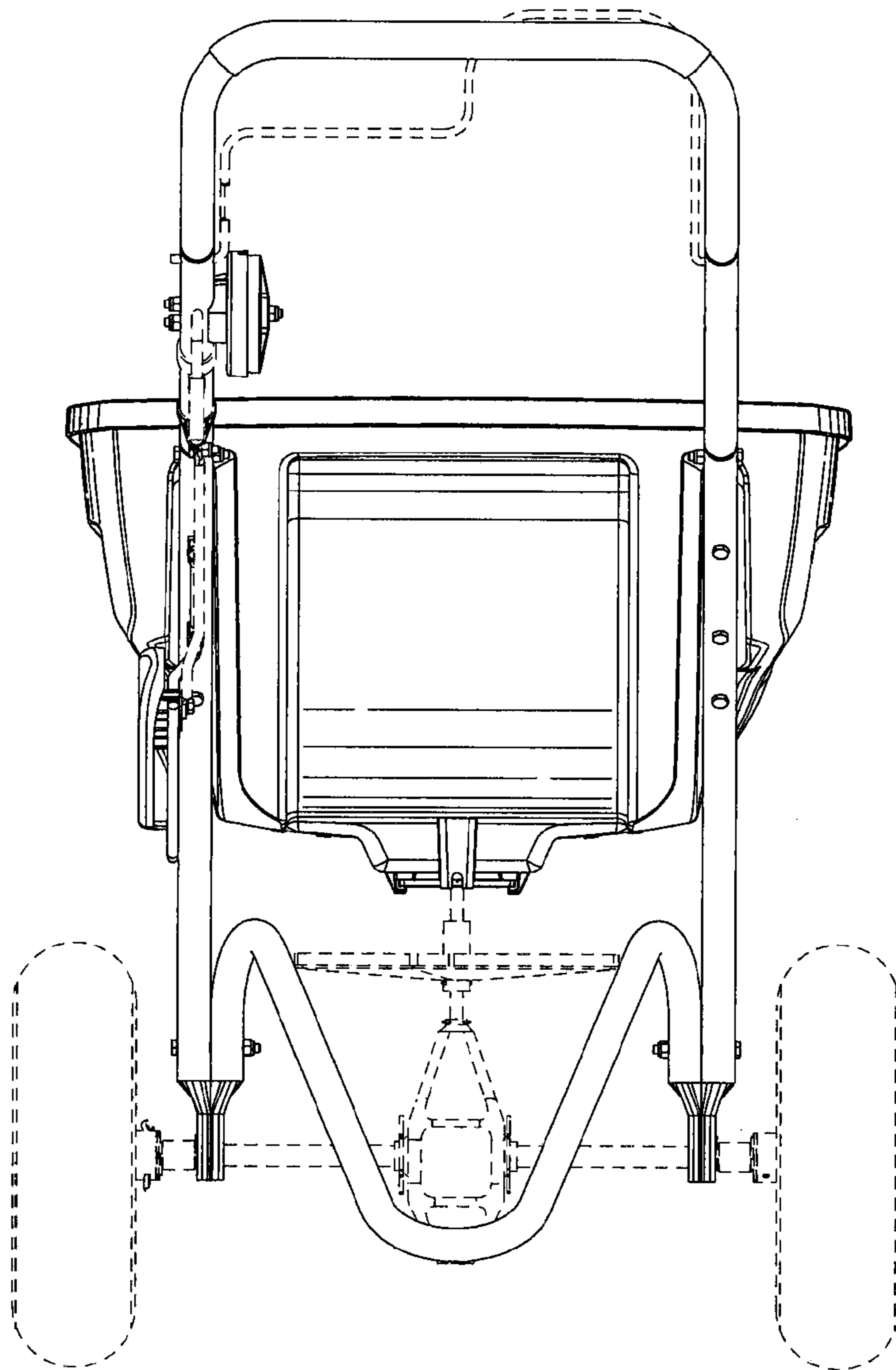


FIG. 3

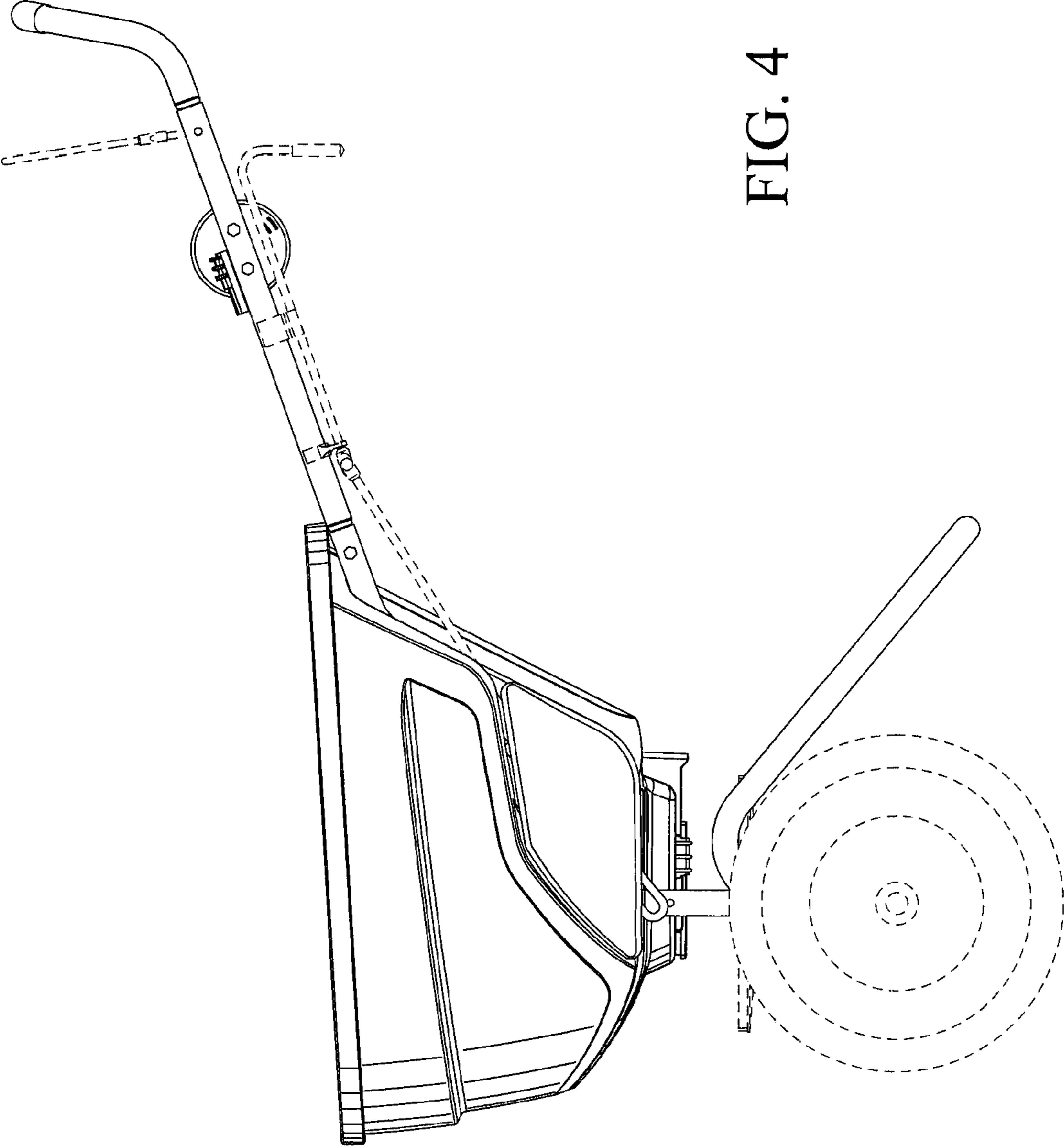


FIG. 4

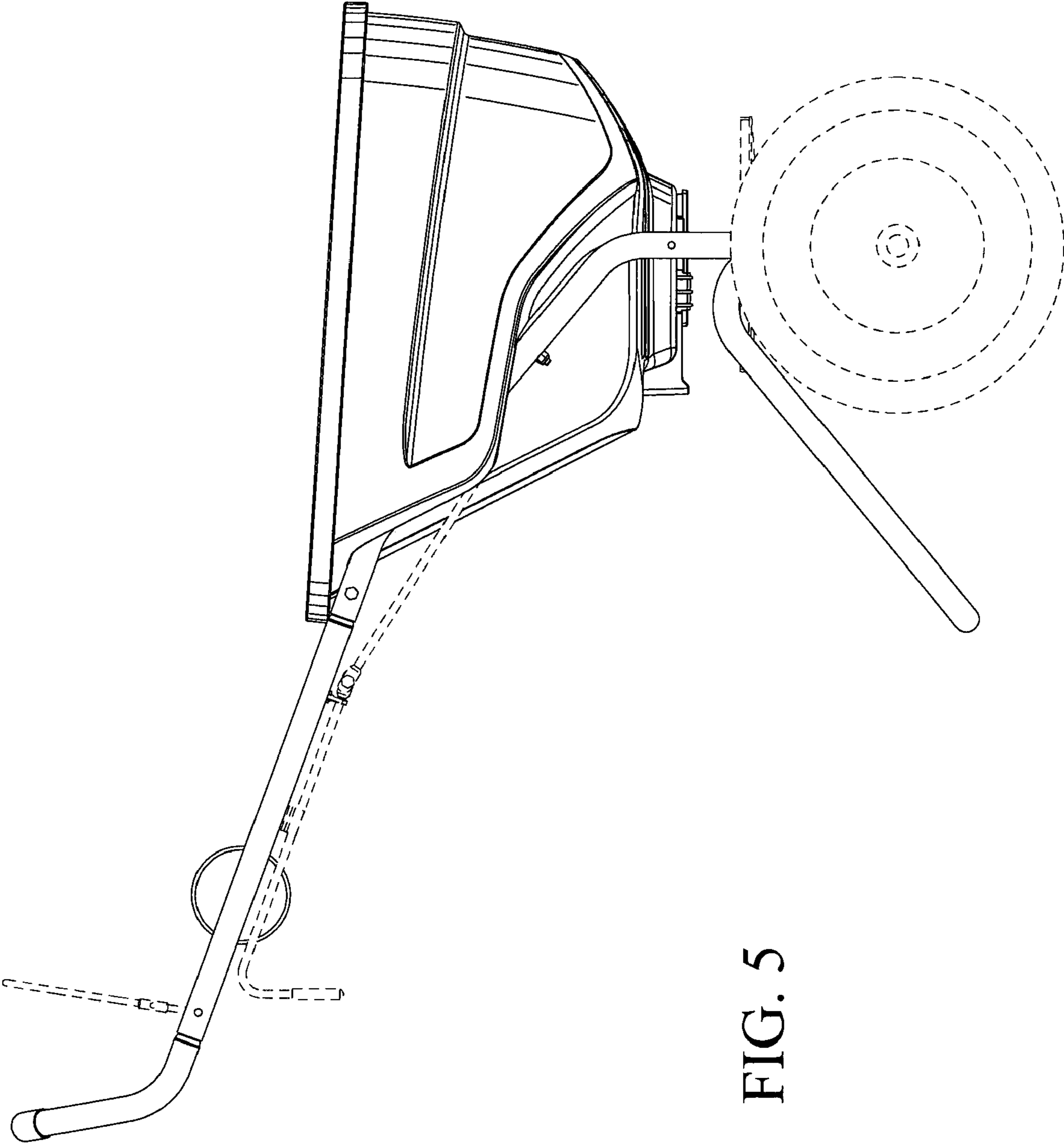


FIG. 5

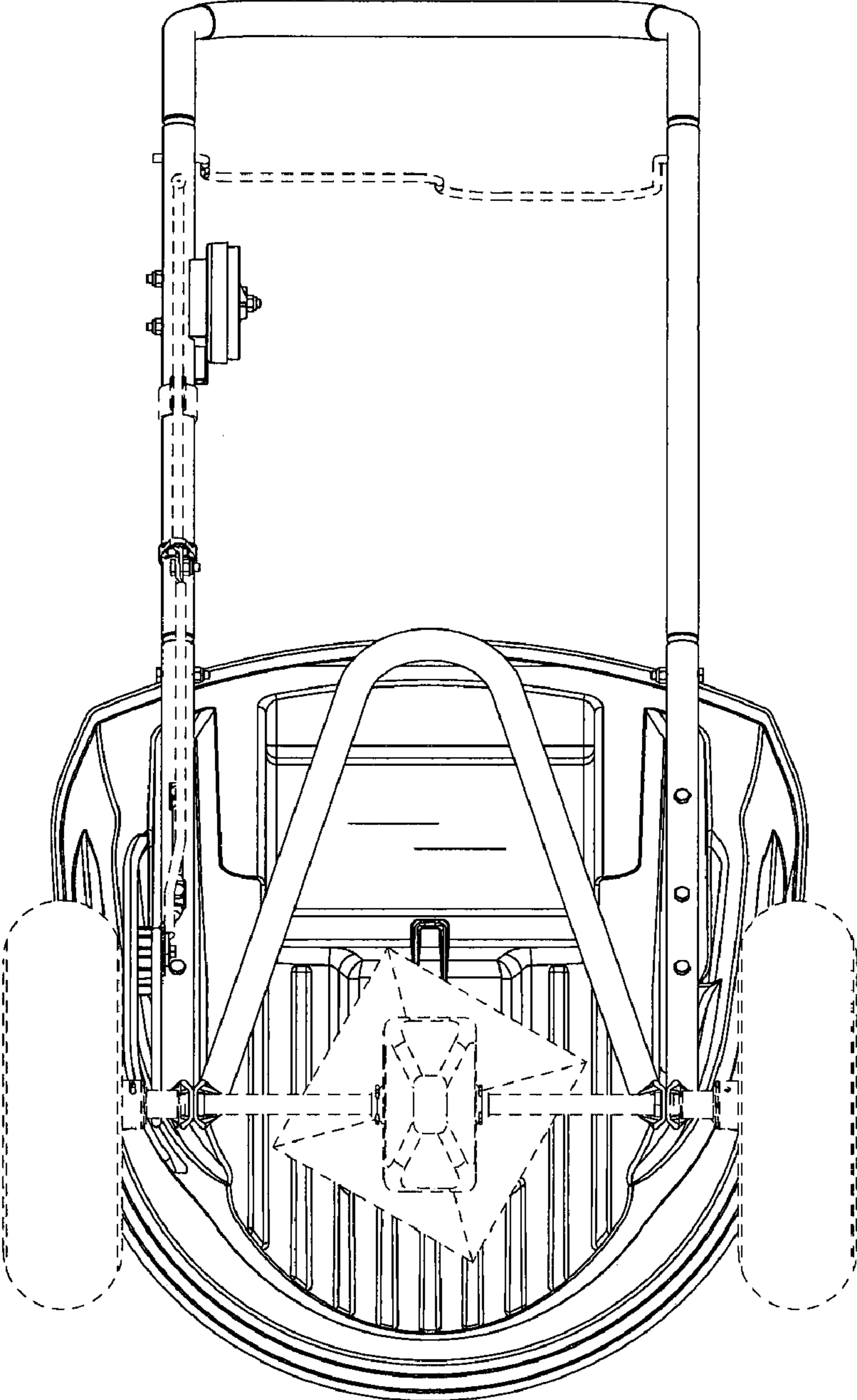


FIG. 6

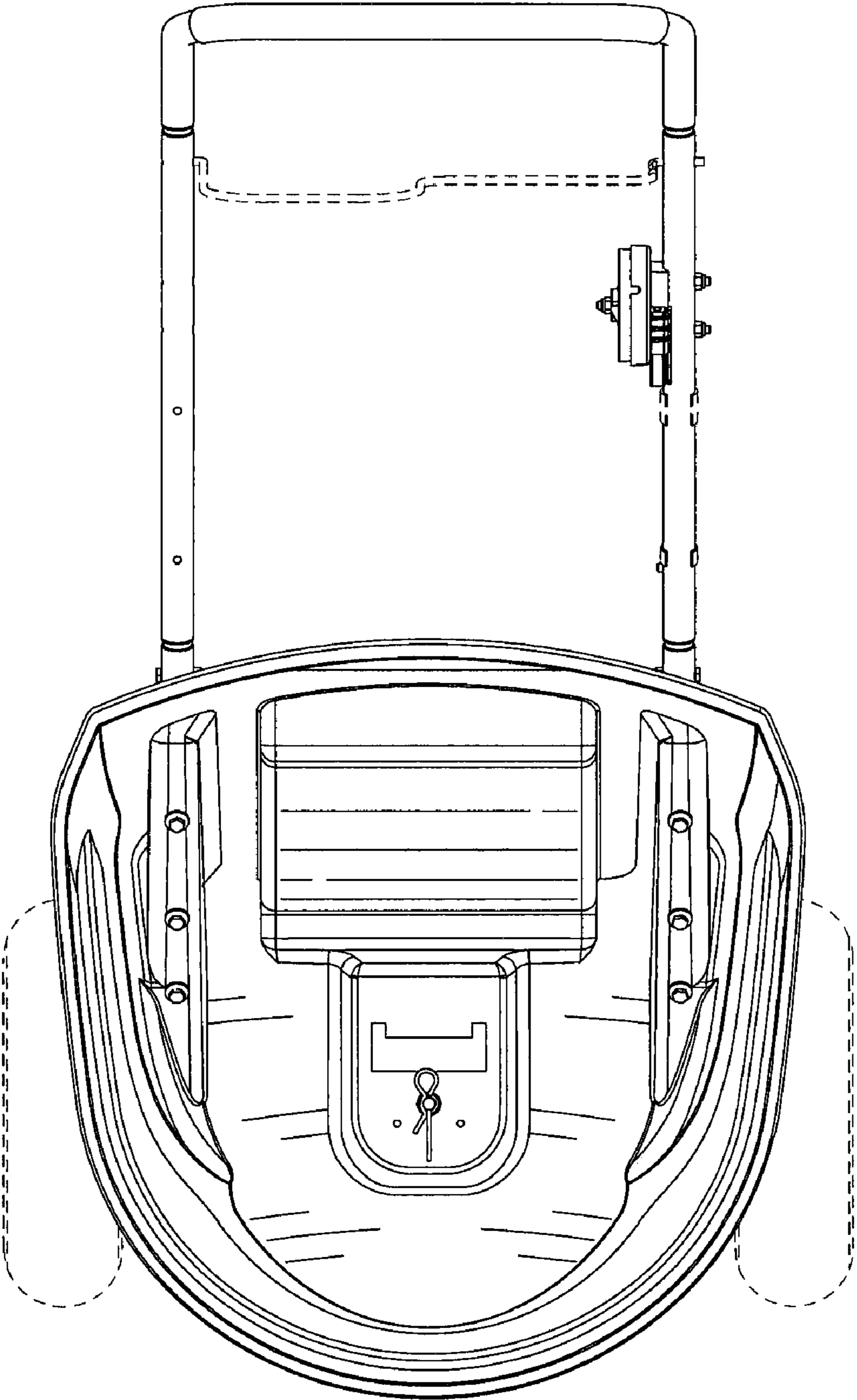


FIG. 7