



US00D610590S

(12) **United States Design Patent**  
**Choi et al.**

(10) **Patent No.:** **US D610,590 S**

(45) **Date of Patent:** **\*\* Feb. 23, 2010**

(54) **TOW BROADCAST SPREADER**

D338,893 S 8/1993 Simpson

(75) Inventors: **Charles Y. Choi**, Chicago, IL (US);  
**Mark R. Pavel**, Downers Grove, IL (US)

D338,894 S 8/1993 Simpson

5,294,060 A 3/1994 Thompson

5,340,033 A 8/1994 Whitell

(73) Assignee: **Agri-Fab, Inc.**, Sullivan, IL (US)

5,370,321 A 12/1994 Bianco

5,410,824 A 5/1995 Pedersen

(\*\*) Term: **14 Years**

D359,963 S 7/1995 Pink et al.

(21) Appl. No.: **29/343,557**

(22) Filed: **Sep. 15, 2009**

(Continued)

**Related U.S. Application Data**

(62) Division of application No. 29/333,475, filed on Mar. 10, 2009, now Pat. No. Des. 602,045.

*Primary Examiner*—Ian Simmons

*Assistant Examiner*—Mark A Goodwin

(74) *Attorney, Agent, or Firm*—Vedder Price P.C.

(51) **LOC (9) Cl.** ..... **15-03**

(52) **U.S. Cl.** ..... **D15/13**

(58) **Field of Classification Search** ..... D15/13,  
D15/17, 27, 28; 222/625, 502, 45, 228, 162,  
222/174, 614, 624, 650; 239/681–689, 666,  
239/663, 650, 652, 655, 664, 665

See application file for complete search history.

(57) **CLAIM**

We claim the ornamental design for the tow broadcast spreader, as shown and described.

**DESCRIPTION**

(56) **References Cited**

**U.S. PATENT DOCUMENTS**

2,514,962 A	7/1950	McElhatton
2,988,250 A	6/1961	Ryan
3,135,517 A	6/1964	Klema
3,383,055 A	5/1968	Speicher
3,484,845 A	12/1969	Warner, et al.
3,979,071 A	9/1976	Biggs, Jr.
4,032,074 A	6/1977	Amerine
4,402,438 A	9/1983	Gregory
4,511,090 A	4/1985	Morgan
4,548,362 A	10/1985	Doering
D282,931 S	3/1986	Doering et al.
4,671,434 A	6/1987	Johnston et al.
4,681,265 A	7/1987	Brabb et al.
4,867,381 A	9/1989	Speicher
4,903,541 A	2/1990	Shiota
4,991,781 A	2/1991	Barbieri
5,145,116 A	9/1992	Shaver
5,190,225 A	3/1993	Williams

FIG. 1 is a top side rear perspective view of a tow broadcast spreader showing our new design;

FIG. 2 is a front elevation view of the tow broadcast spreader of FIG. 1;

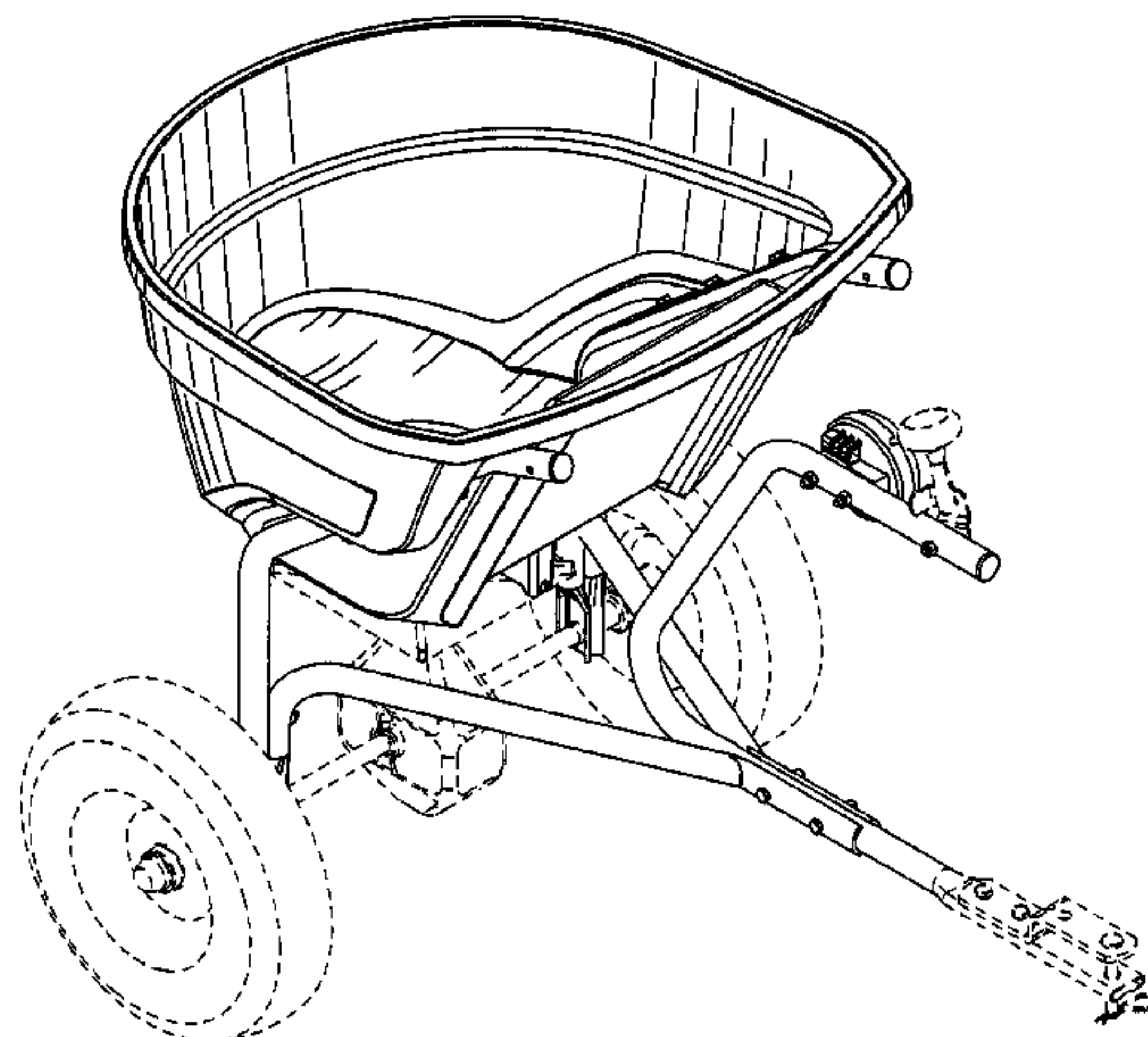
FIG. 3 is an opposite side view of the tow broadcast spreader of FIG. 1;

FIG. 4 is a bottom plan view of the tow broadcast spreader of FIG. 1; and,

FIG. 5 is a top plan view of the tow broadcast spreader of FIG. 1.

The broken line showing of the frame and wheels is included for the purpose of illustrating portions of the tow broadcast spreader and forms no part of the claimed design.

**1 Claim, 5 Drawing Sheets**



# US D610,590 S

Page 2

---

## U.S. PATENT DOCUMENTS

5,485,963	A	1/1996	Walto et al.	D413,904	S	9/1999	Spear
D368,914	S	4/1996	Pink et al.	D414,783	S	10/1999	Spear
D371,142	S	6/1996	Delaby et al.	5,966,846	A	10/1999	Harms et al.
D371,780	S	* 7/1996	Havlovitz ..... D15/13	6,138,927	A	10/2000	Spear et al.
D373,367	S	* 9/1996	Havlovitz ..... D15/13	D476,341	S	6/2003	Booten et al.
5,570,814	A	11/1996	Havlovitz	6,616,074	B2	9/2003	Courtney et al.
D376,155	S	12/1996	Havlovitz	D490,088	S	5/2004	Powell et al.
5,584,732	A	12/1996	Owen	D496,052	S	9/2004	Braime et al.
5,597,092	A	1/1997	Havlovitz	D498,772	S	11/2004	Greene
D384,679	S	10/1997	Havlovitz et al.	6,945,481	B2	9/2005	Thompson et al.
5,842,648	A	12/1998	Havlovitz et al.	7,063,280	B1	6/2006	Bogart
D413,903	S	9/1999	Spear	2008/0078850	A1	4/2008	Bowsher

\* cited by examiner

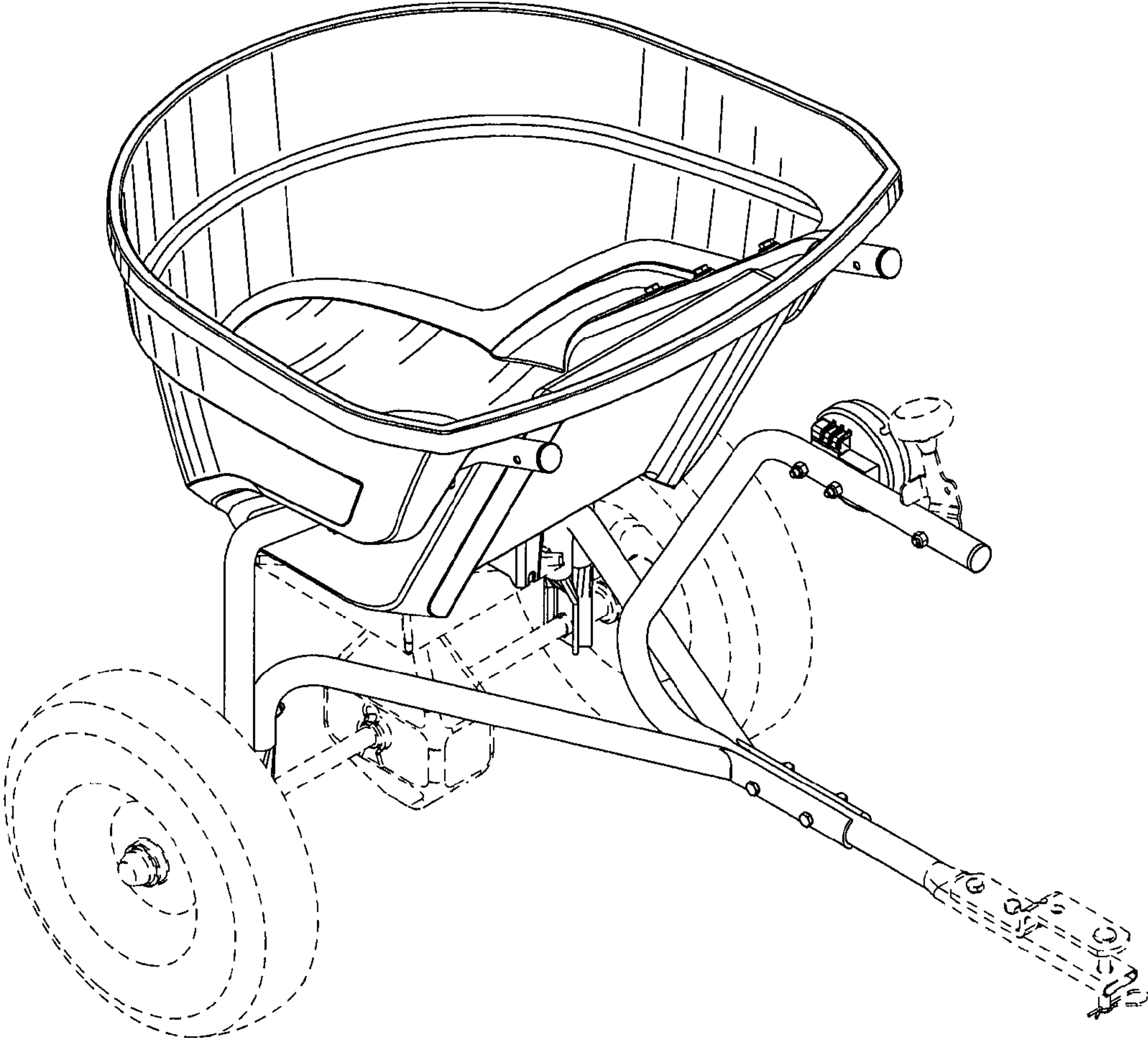


FIG. 1

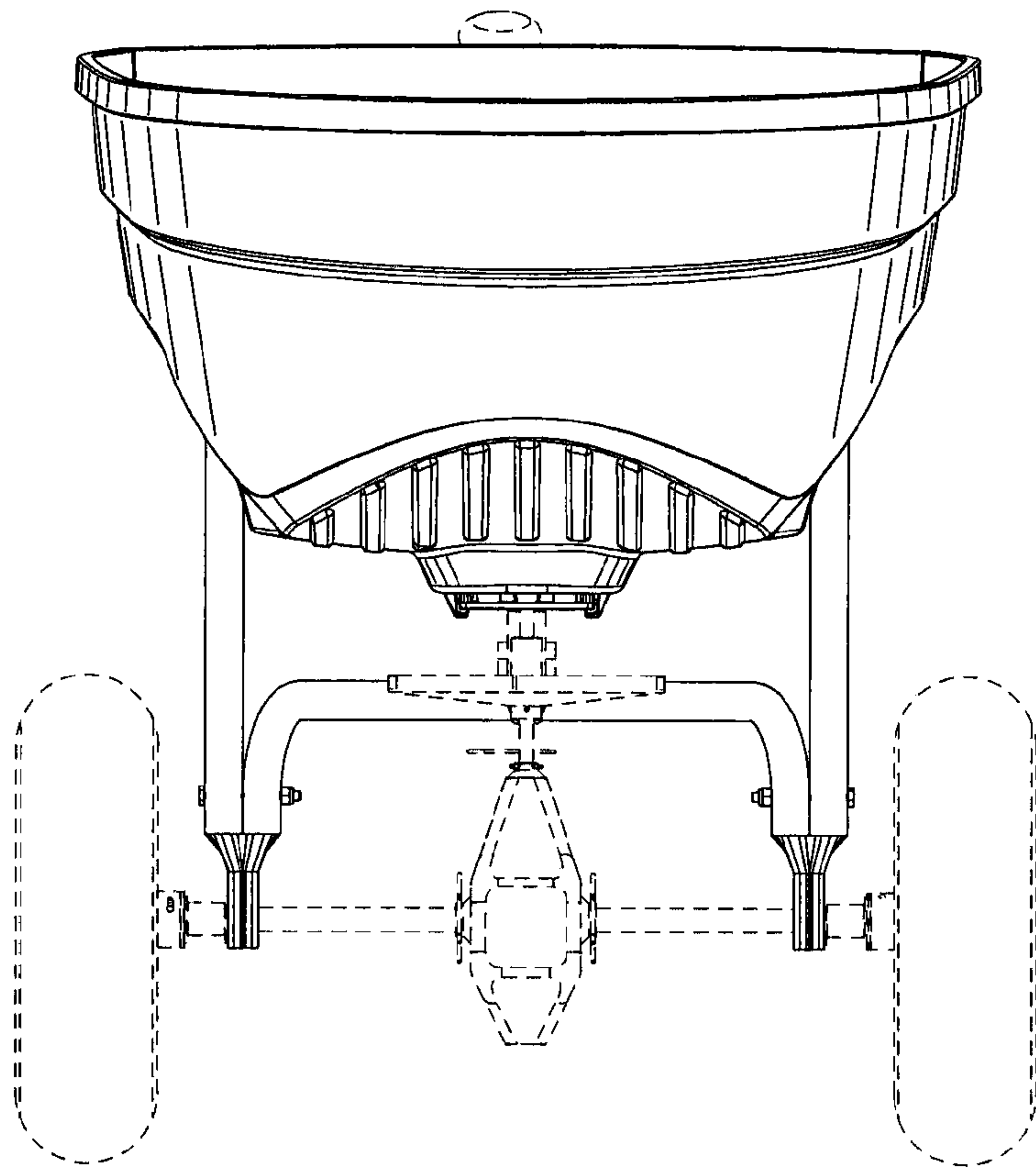


FIG. 2

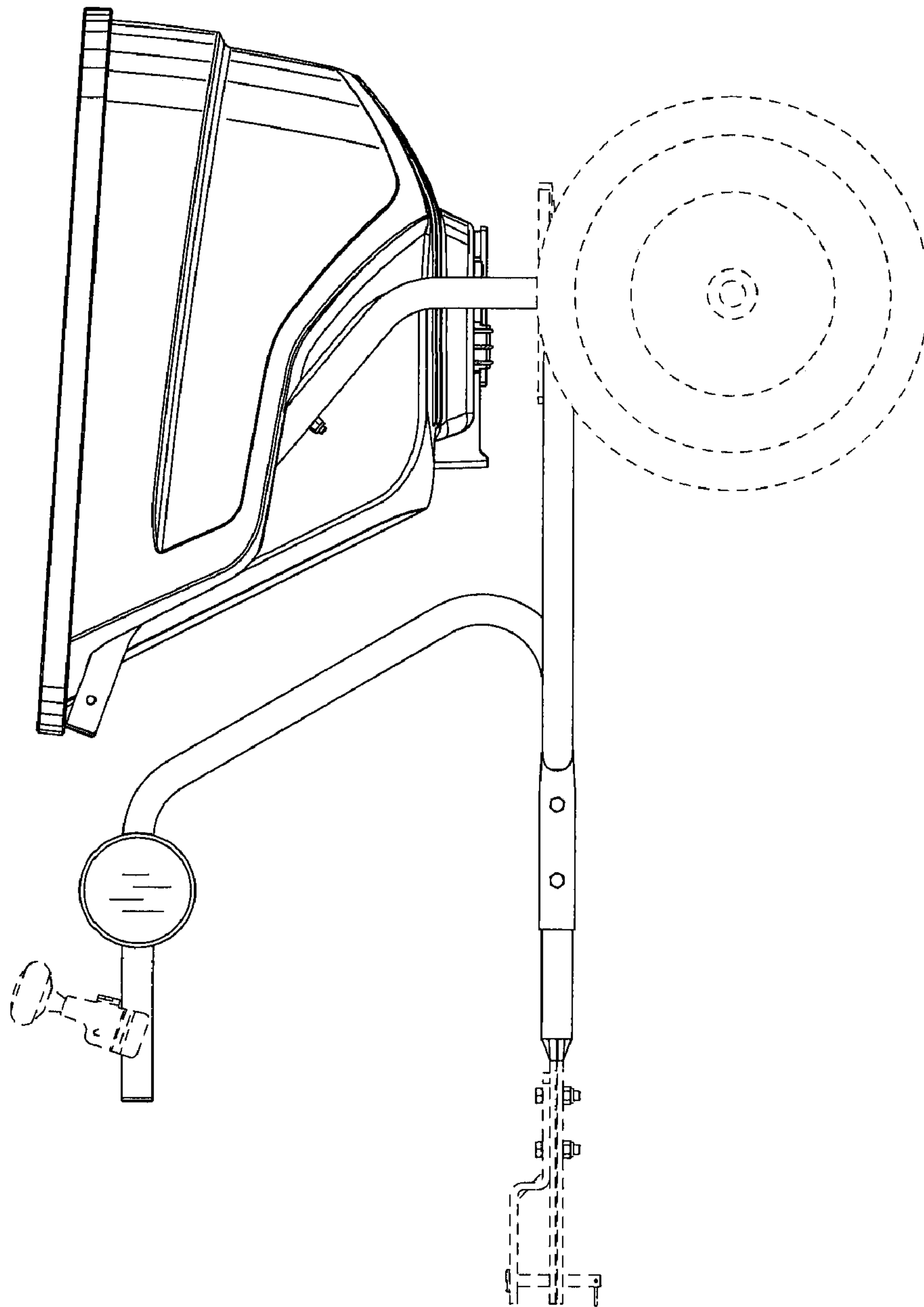


FIG. 3



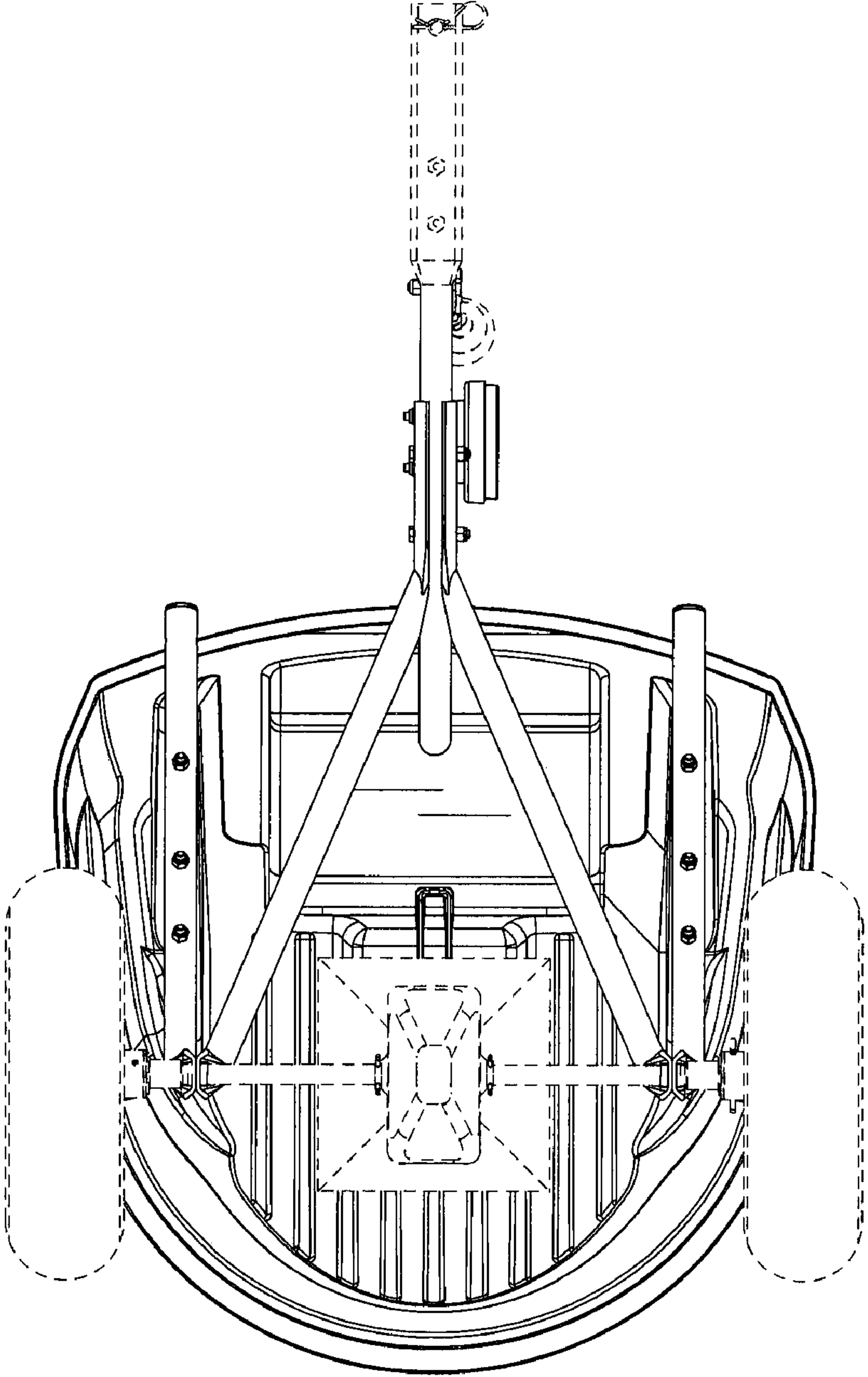


FIG. 4

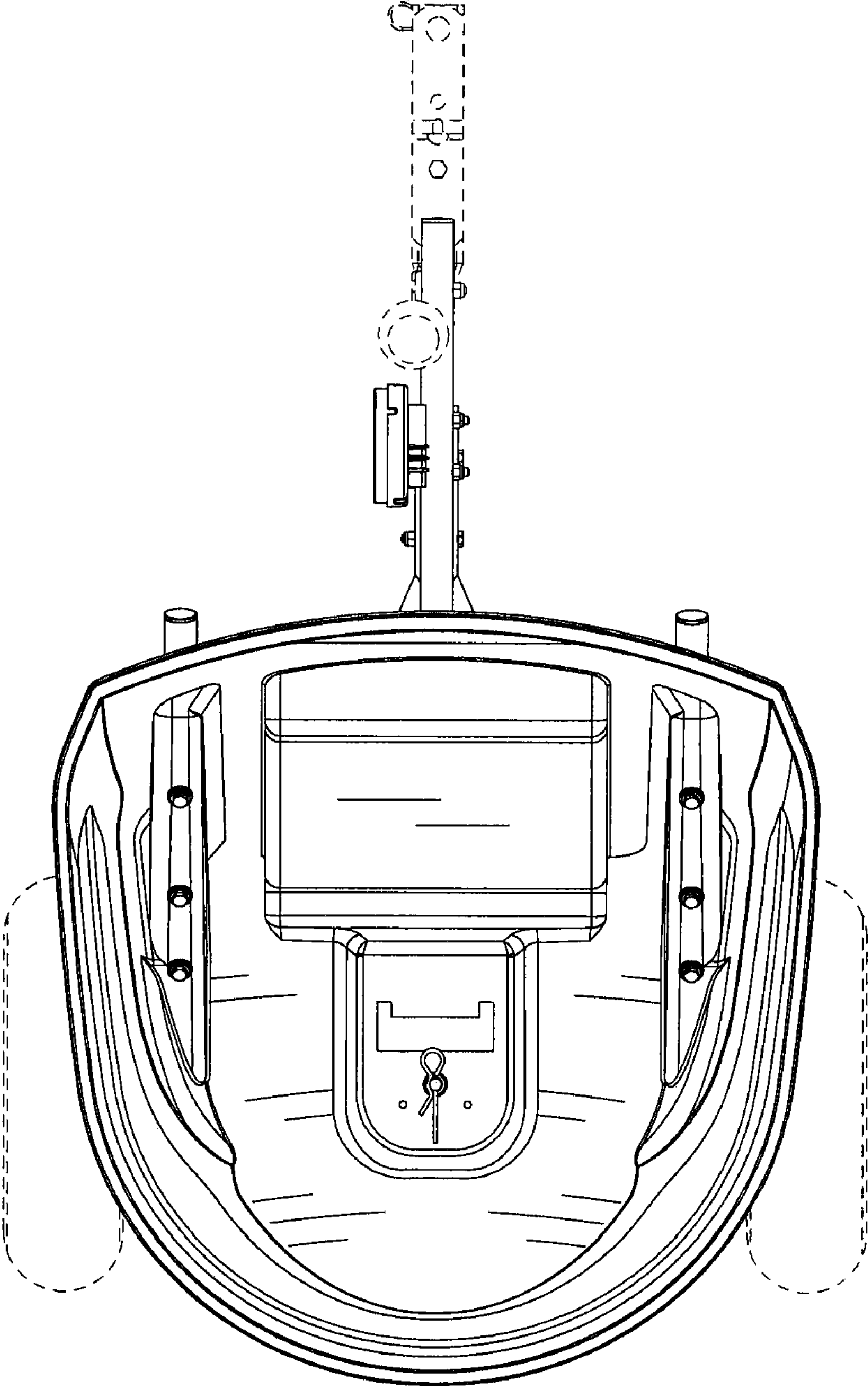


FIG. 5