



US00D610589S

(12) **United States Design Patent**  
**Chia et al.**

(10) **Patent No.:** **US D610,589 S**  
(45) **Date of Patent:** **\*\* Feb. 23, 2010**

(54) **SOURCE DEVICE FOR AN AUDIO SYSTEM**

(75) Inventors: **Benjamin Pei-Ming Chia**, Cupertino, CA (US); **Jacob R. Sigal**, Ferndale, MI (US); **Yi Chun Liao**, San Jose, CA (US); **Jeremy Allan Panoringan**, San Jose, CA (US); **Jung Hee Yeo**, San Francisco, CA (US); **Chun-Ting Yu**, San Jose, CA (US)

(73) Assignee: **Myine Electronics, LLC**, Ferndale, MI (US)

(\*\*) Term: **14 Years**

(21) Appl. No.: **29/342,491**

(22) Filed: **Aug. 26, 2009**

**Related U.S. Application Data**

(63) Continuation of application No. 29/324,555, filed on Sep. 15, 2008, now abandoned.

(51) **LOC (9) Cl.** ..... **14-03**

(52) **U.S. Cl.** ..... **D14/496; D14/168**

(58) **Field of Classification Search** ..... D14/496, D14/401, 435, 474, 483, 217, 137, 138, 160, D14/168, 356, 203.1–203.8, 507; 345/156, 345/169, 173–179, 905; 715/727–729, 864; 710/1, 5, 8; 713/1, 600; 455/1.1, 1.7, 73, 455/344–347, 93, 95, 3.01–3.06, 550.1, 573.1; 370/342–344; 369/1, 2, 6–12; 463/43–47; 273/148 B

See application file for complete search history.

(56) **References Cited**

**U.S. PATENT DOCUMENTS**

- 5,459,702 A \* 10/1995 Greenspan ..... 369/25.01
- 5,471,659 A \* 11/1995 Wong ..... 455/132
- 6,389,463 B2 5/2002 Bolas et al.
- 6,591,085 B1 7/2003 Grady
- 6,631,098 B2 10/2003 Chang et al.
- D486,813 S 2/2004 Chun
- D486,816 S \* 2/2004 Nakajima et al. .... D14/169

- 6,920,479 B2 7/2005 McDowall et al.
- D515,553 S \* 2/2006 Tragatschnig ..... D14/188
- D518,019 S 3/2006 Ching
- D520,519 S 5/2006 Chin et al.
- D523,841 S \* 6/2006 Van Kastel ..... D14/188
- D525,988 S 8/2006 Kim
- 7,142,935 B2 11/2006 Janik
- 7,167,765 B2 1/2007 Janik
- 7,191,193 B2 3/2007 Ben-Yaacov et al.
- D539,812 S 4/2007 Chuang
- D542,303 S 5/2007 Cheng
- 7,222,183 B2 5/2007 Juskiewicz
- D544,854 S 6/2007 Smith
- D545,810 S 7/2007 Hussaini et al.
- D551,679 S 9/2007 Hayes
- D553,155 S 10/2007 Kim
- 7,280,802 B2 10/2007 Grady
- 7,301,939 B2 11/2007 Boys
- 7,303,282 B2 12/2007 Dwyer et al.
- 7,320,520 B2 1/2008 Johnson

(Continued)

*Primary Examiner*—Prabhakar Deshmukh

(74) *Attorney, Agent, or Firm*—Harness, Dickey & Pierce, P.L.C.

(57) **CLAIM**

The ornamental design for an source device for an audio system, as shown and described.

**DESCRIPTION**

FIG. 1 is a perspective view of a source device for an audio system;

FIG. 2 is another perspective view thereof;

FIG. 3 is a left side view thereof;

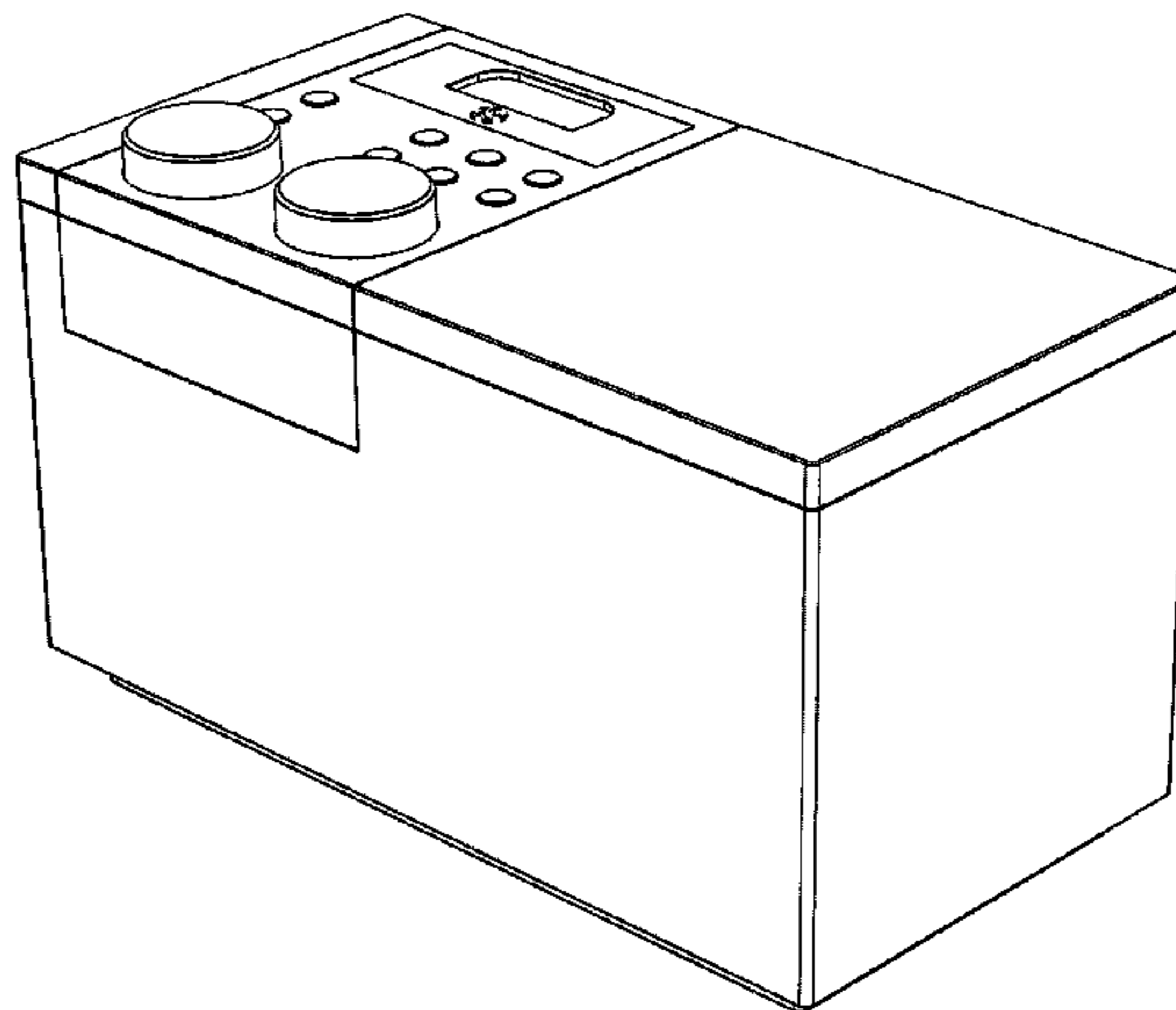
FIG. 4 is a right side view thereof;

FIG. 5 is a top view thereof;

FIG. 6 is a front view thereof; and,

FIG. 7 is a rear view thereof.

**1 Claim, 5 Drawing Sheets**



# US D610,589 S

Page 2

---

## U.S. PATENT DOCUMENTS

D561,168 S	2/2008	Song	2002/0072326 A1	6/2002	Qureshey et al.
D563,434 S	3/2008	Dai	2006/0067304 A1	3/2006	McDowall et al.
7,470,193 B2	12/2008	Umezaki	2006/0168097 A1	7/2006	Pittelli
D585,427 S	1/2009	Lee et al.	2006/0281477 A1	12/2006	Downes
7,489,789 B2	2/2009	Kaulberg	2007/0101039 A1	5/2007	Rutledge et al.
7,513,007 B2	4/2009	Chernoff	2007/0211579 A1	9/2007	Yoshimura et al.
D592,179 S	5/2009	Ichinose et al.	2007/0220052 A1	9/2007	Kudo et al.
2002/0002039 A1	1/2002	Qureshey et al.	2008/0026720 A1	1/2008	Marji

\* cited by examiner

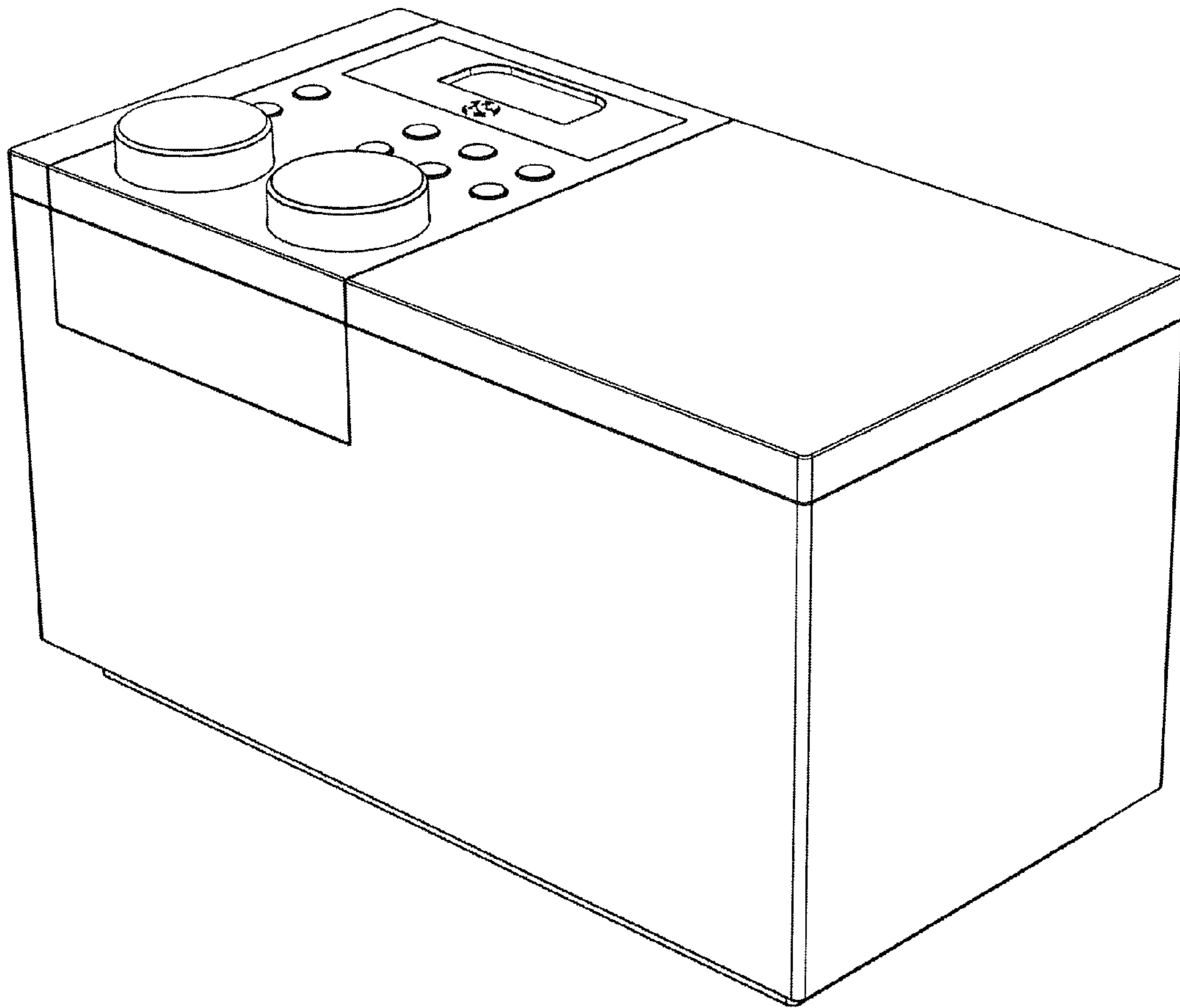


FIG. 1

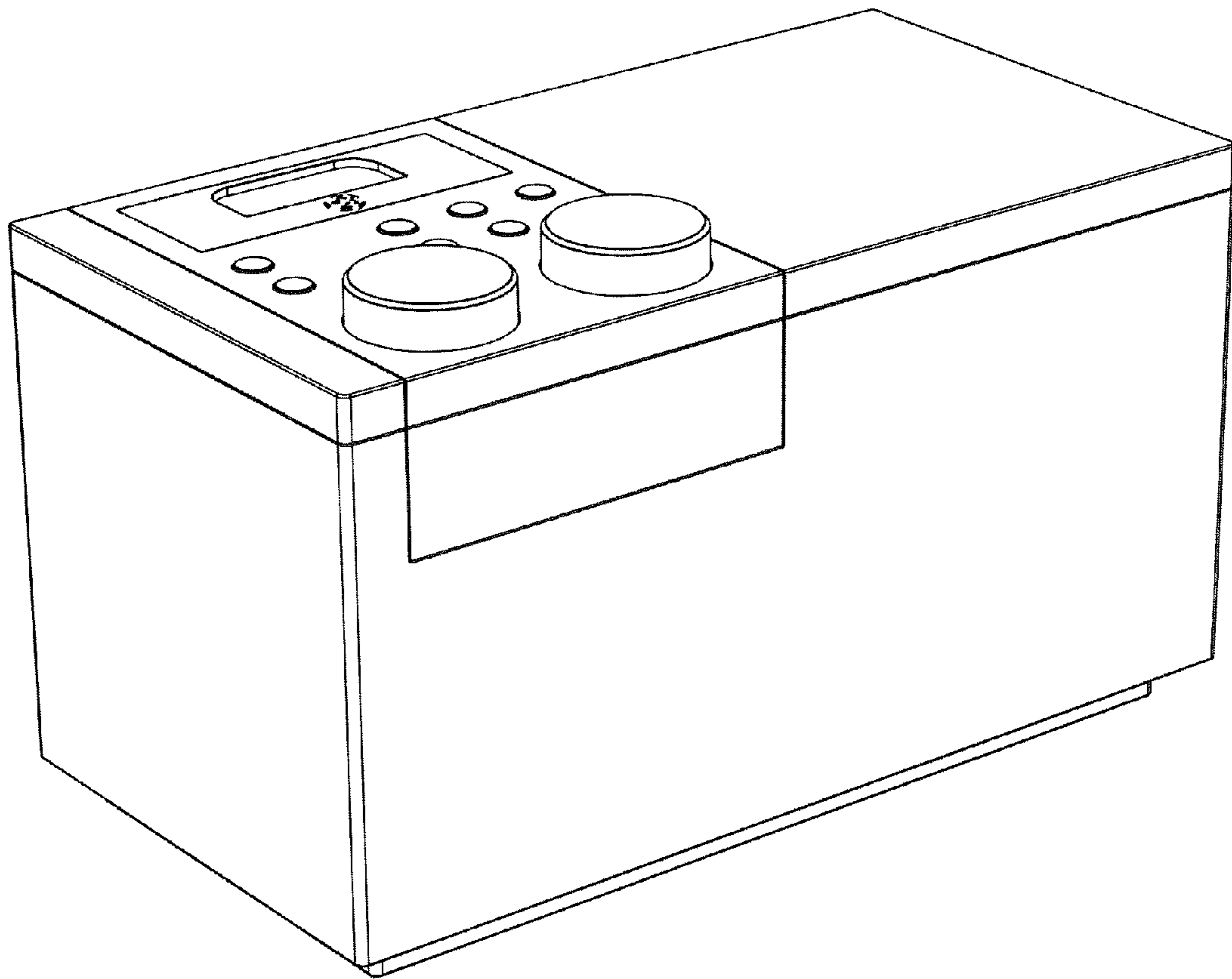


FIG. 2

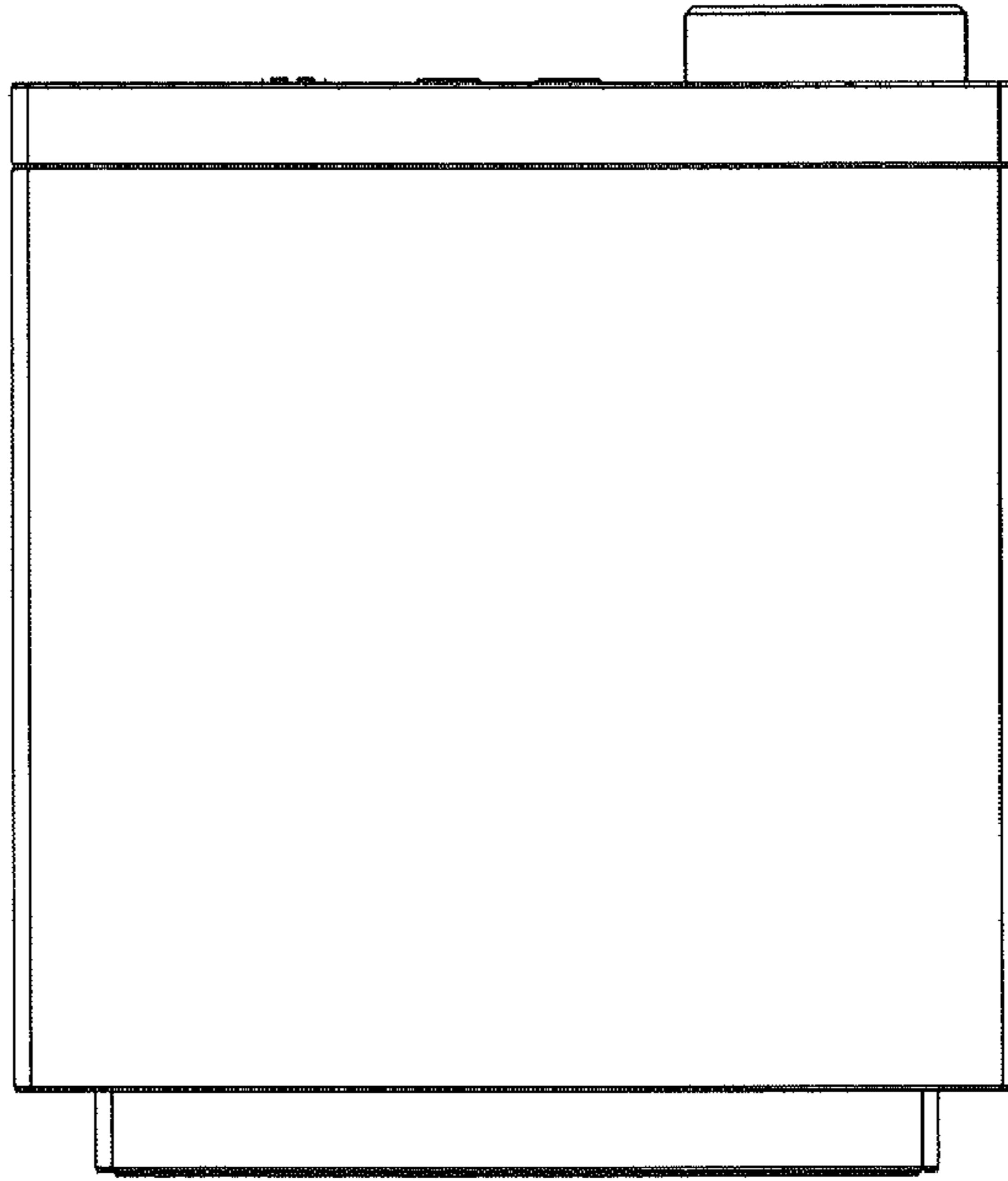


FIG. 3

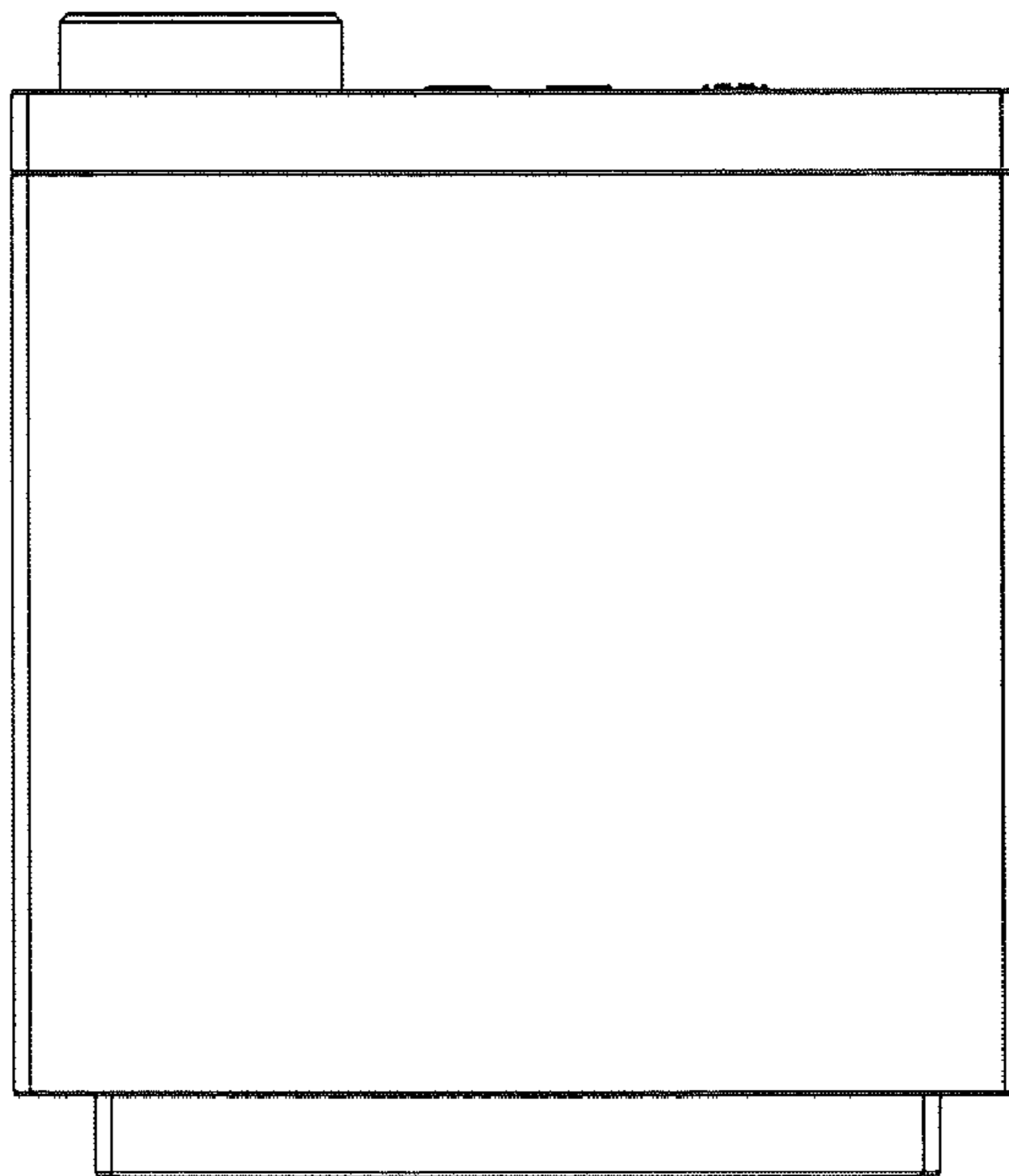


FIG. 4

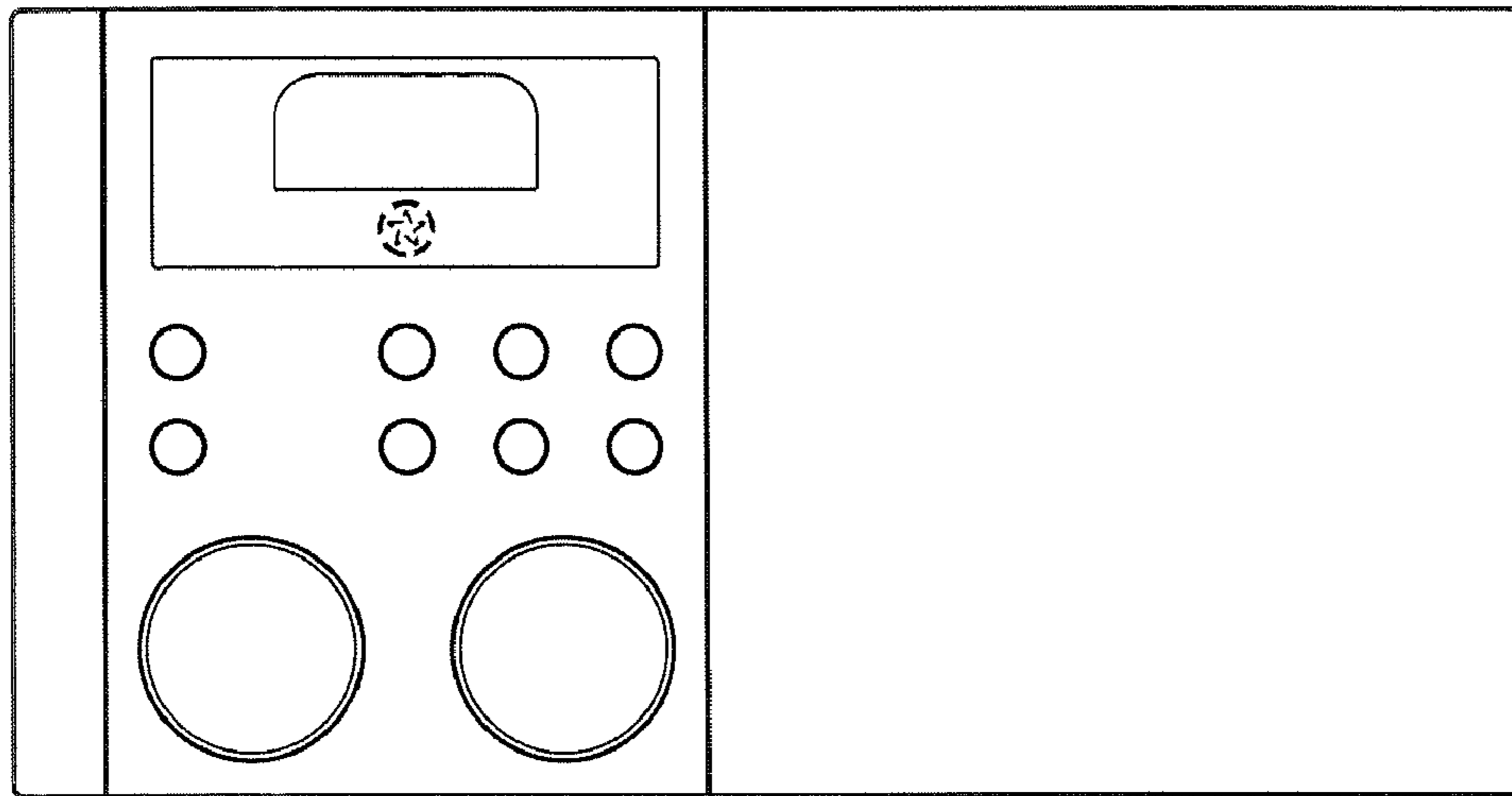


FIG. 5

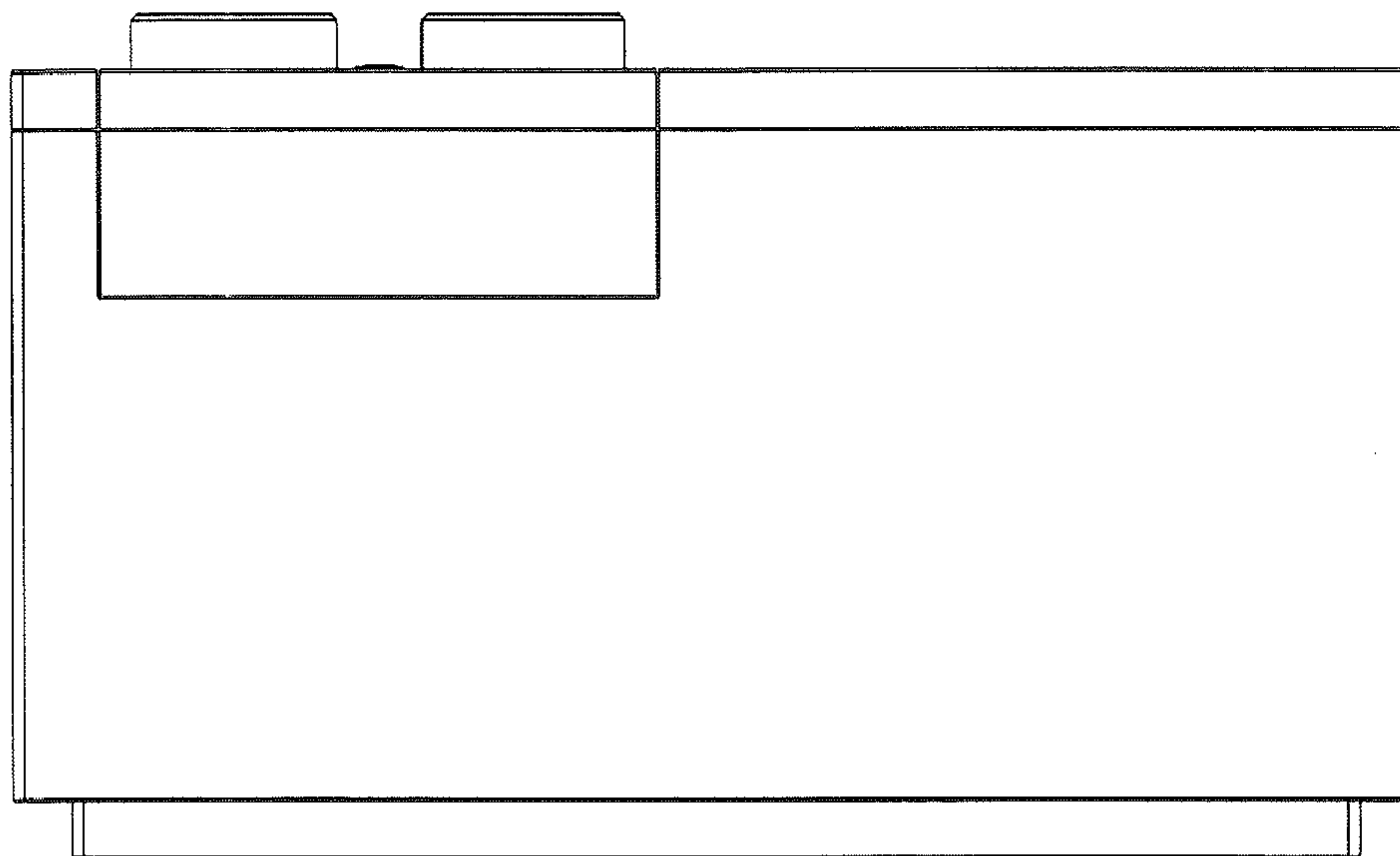


FIG. 6

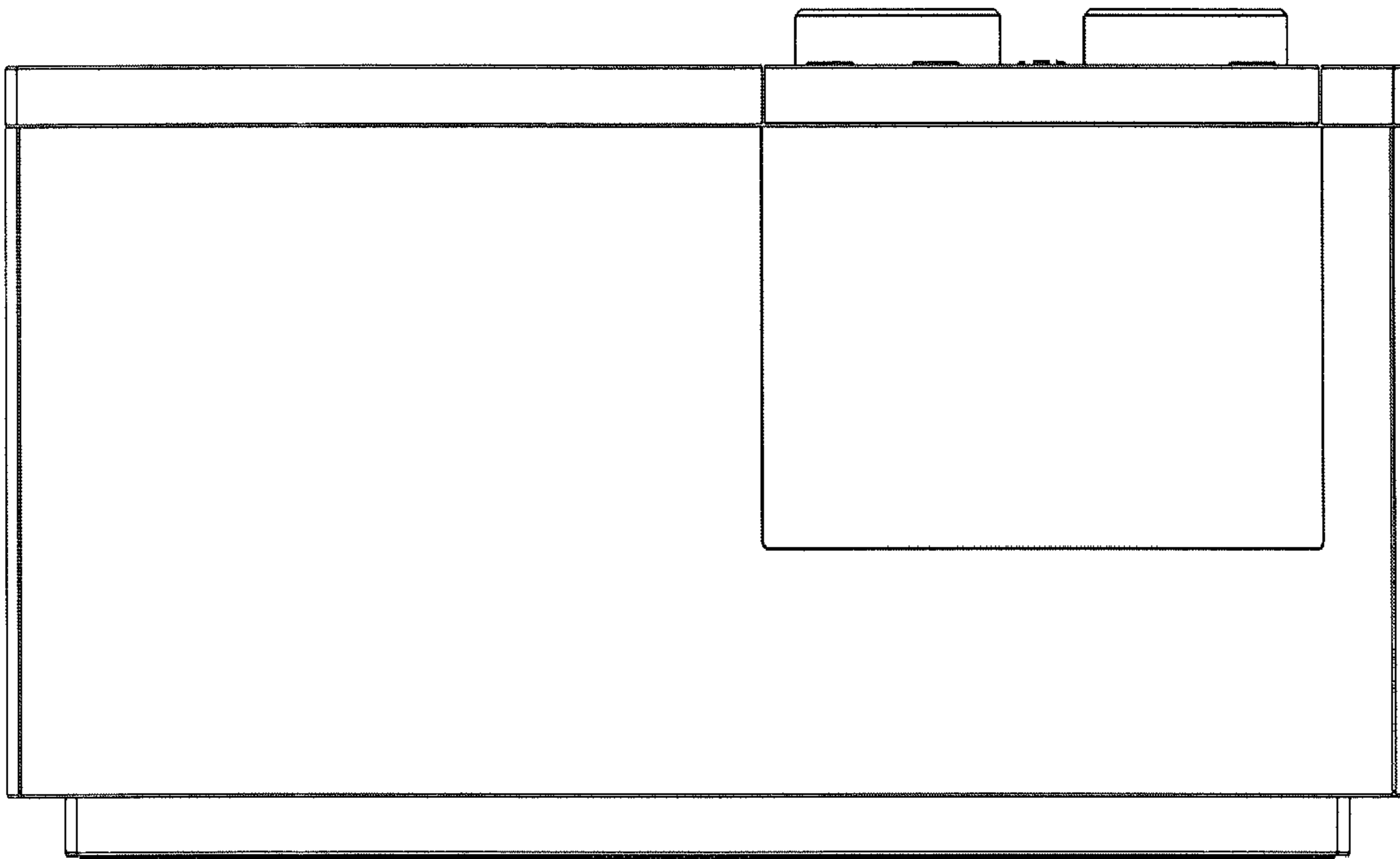


FIG. 7