



US00D610588S

(12) **United States Design Patent**
Chen

(10) **Patent No.:** **US D610,588 S**

(45) **Date of Patent:** **** Feb. 23, 2010**

(54) **FLASH DRIVE**

2008/0045056 A1* 2/2008 Collantes et al. 439/131
2009/0227144 A1* 9/2009 Ma 439/620.15

(75) Inventor: **Minghua Chen**, Ningbo (CN)

OTHER PUBLICATIONS

(73) Assignee: **Beifa Group Co., Ltd.**, Ningbo (CN)

SanDisk USB flash drive, [online] Jan. 6, 2009 [retrieved on Mar. 11, 2009]. Retrieved from the Internet <URL: <http://www.ces-show.com/0271/sandisk/usbflashdrive/usb-drive/>>.*

(**) Term: **14 Years**

Cruzer, [online], [retrieved on Jun. 27, 2007]. Retrieved from the Internet <URL: <http://images.overstock.com/f/102/3117/8h/www.overstock.com/images/products/11739539.jpg>>.*

(21) Appl. No.: **29/334,004**

* cited by examiner

(22) Filed: **Mar. 18, 2009**

(30) **Foreign Application Priority Data**

Primary Examiner—Cathron C Brooks

Sep. 23, 2008 (CN) 2008 3 0209355

Assistant Examiner—Karen E Kearney

(51) **LOC (9) Cl.** **14-99**

(74) *Attorney, Agent, or Firm*—Christensen O'Connor Johnson Kindness PLLC

(52) **U.S. Cl.** **D14/480.7**

(58) **Field of Classification Search** D14/411,
D14/433, 435.1, 436, 137, 155, 167, 168,
D14/203.1–203.8, 240, 242, 299, 480.1–480.7,
D14/484.1; D3/203, 273; D13/107, 108,
D13/149, 184; 710/300, 301; 439/131, 135–147
See application file for complete search history.

(57) **CLAIM**

The ornamental design for a flash drive, as shown and described.

(56) **References Cited**

DESCRIPTION

U.S. PATENT DOCUMENTS

FIG. 1 is a top, rear, right perspective view of a flash drive showing my new design;

FIG. 2 is a left side elevation view of the flash drive shown in FIG. 1, with the right side elevation view being a mirror image thereof;

- D297,518 S * 9/1988 Yuen D14/155
- D482,008 S * 11/2003 Petronio D13/184
- 6,676,419 B1 * 1/2004 Lin et al. 439/131
- D503,408 S * 3/2005 Lian et al. D14/203.3
- 7,179,099 B2 * 2/2007 Hsieh 439/131
- 7,524,198 B2 * 4/2009 Nguyen et al. 439/131
- 7,558,069 B2 * 7/2009 Chung 439/131
- D601,141 S * 9/2009 Moshes et al. D14/356
- D601,152 S * 9/2009 Moshes et al. D14/480.7

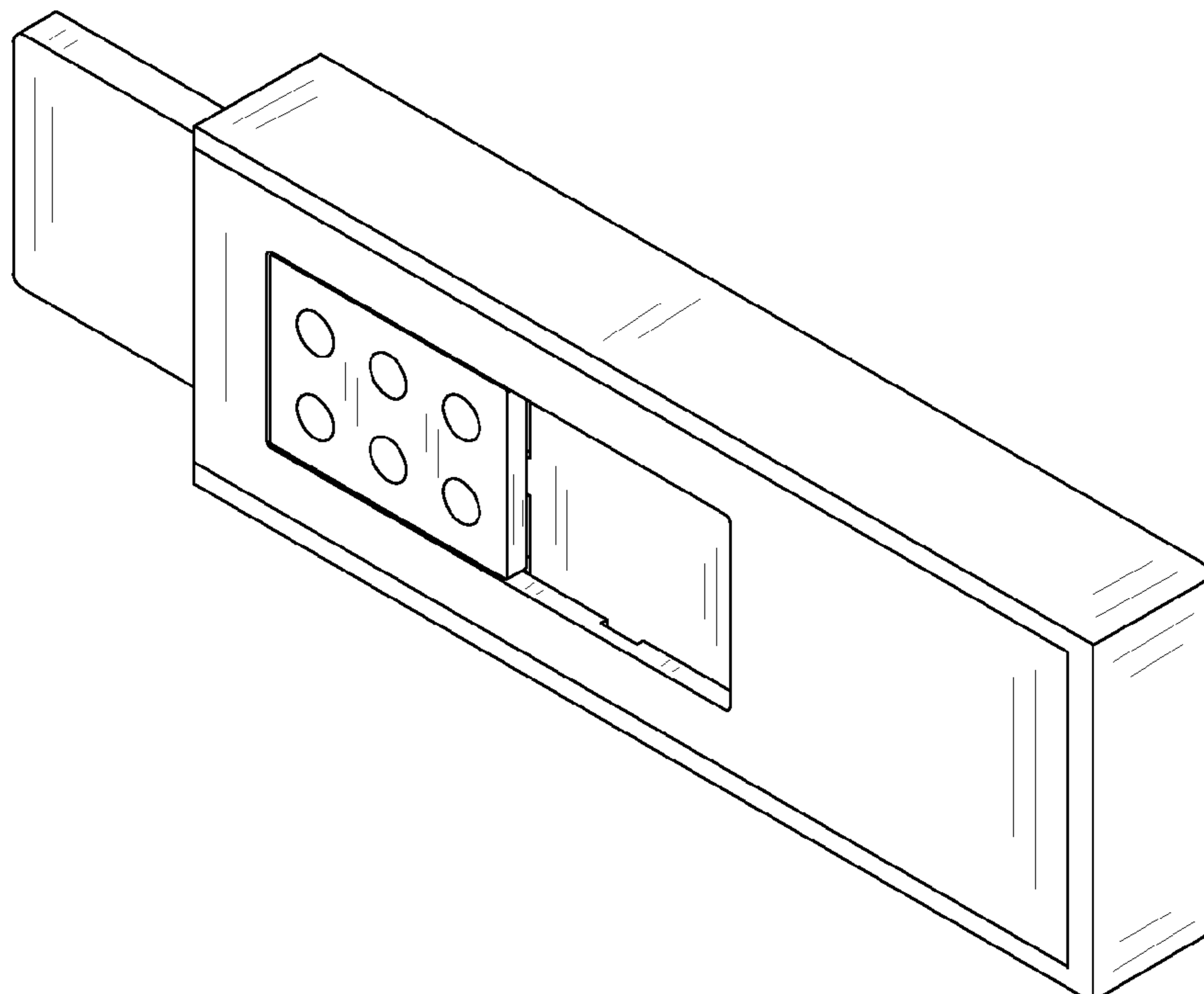
FIG. 3 is a top plan view thereof;

FIG. 4 is a bottom plan view thereof;

FIG. 5 is a front elevation view thereof; and,

FIG. 6 is a rear elevation view thereof.

1 Claim, 3 Drawing Sheets



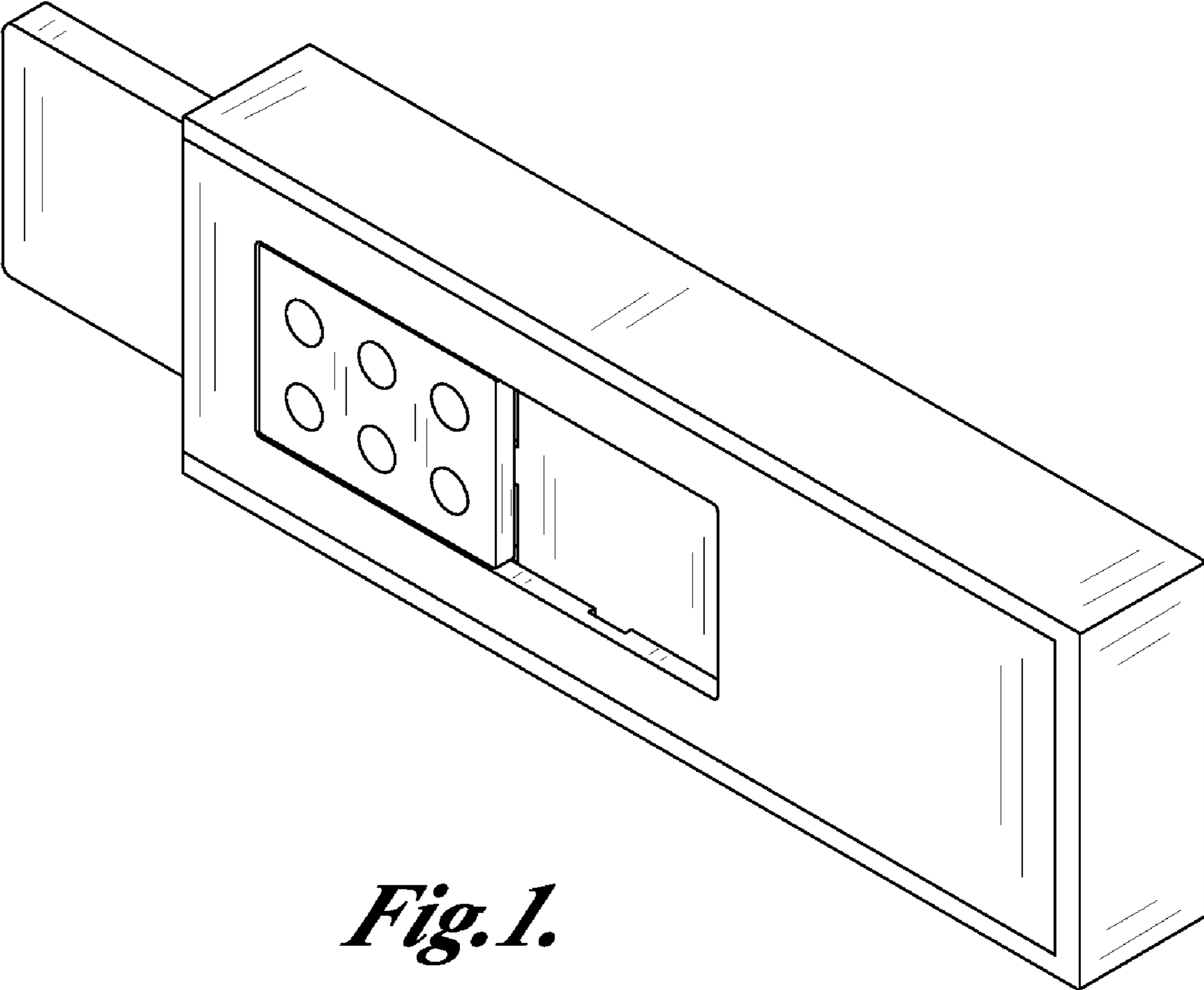


Fig. 1.

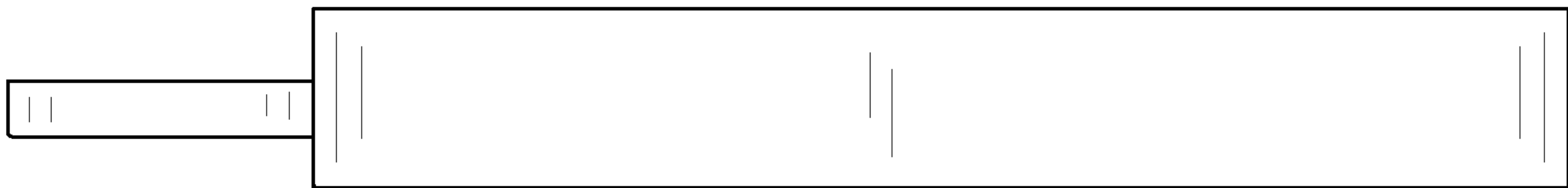


Fig. 2.

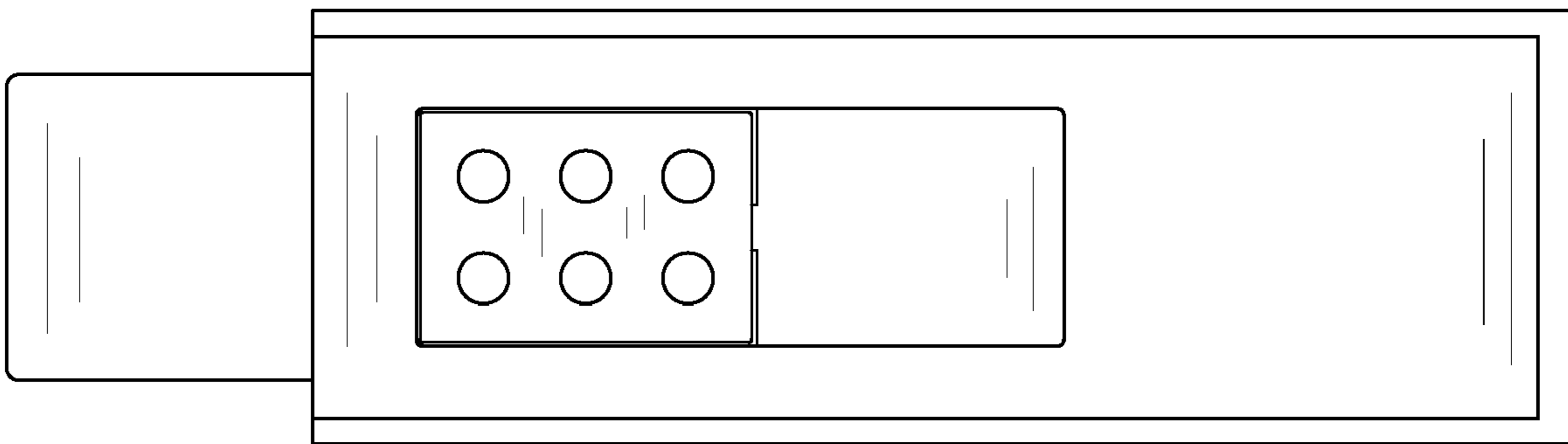


Fig. 3.

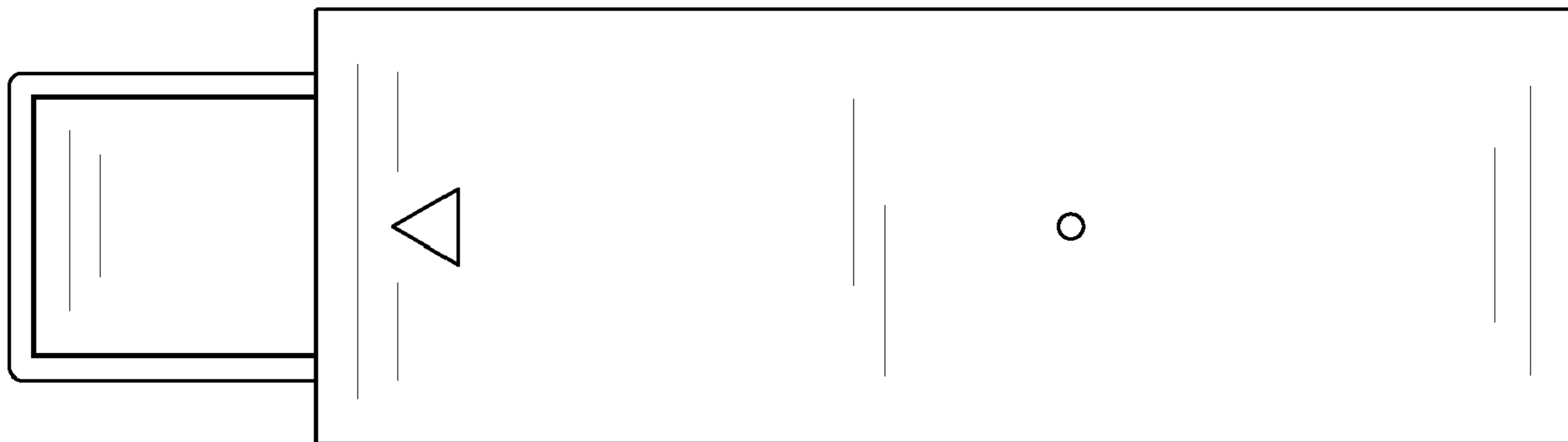


Fig. 4.

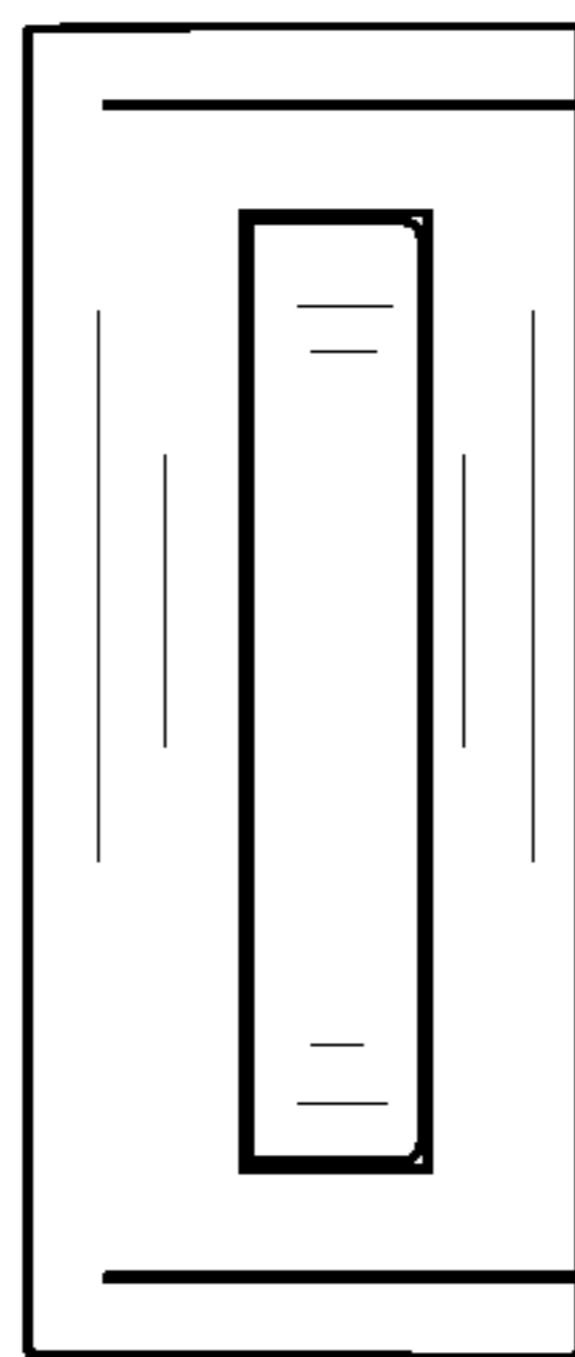


Fig. 5.

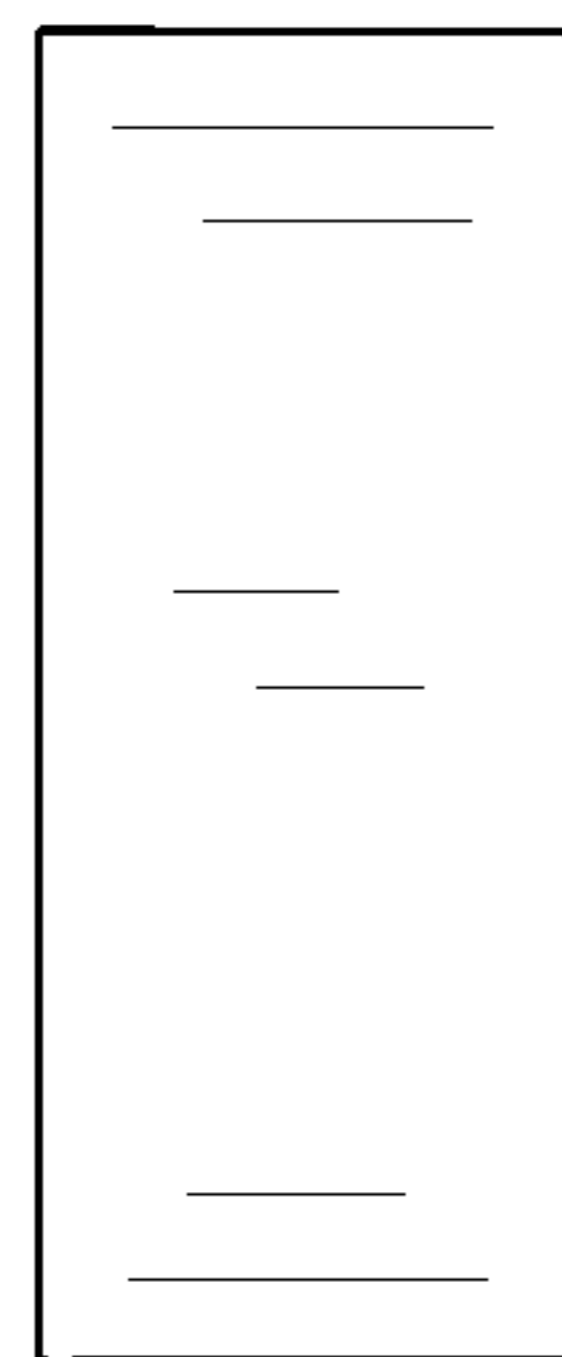


Fig. 6.