



US00D610584S

(12) **United States Design Patent**
Zhu

(10) **Patent No.:** **US D610,584 S**
(45) **Date of Patent:** **** Feb. 23, 2010**

(54) **LIQUID CRYSTAL DISPLAY**

(75) Inventor: **Zhao-Rong Zhu**, Fuqing (CN)

(73) Assignee: **TPV Electronics (Fujian) Co., Ltd.**,
Fuqing (CN)

(**) Term: **14 Years**

(21) Appl. No.: **29/329,031**

(22) Filed: **Dec. 8, 2008**

(30) **Foreign Application Priority Data**

Nov. 25, 2008 (TW) 97306681

(51) **LOC (9) Cl.** **14-02**

(52) **U.S. Cl.** **D14/374**

(58) **Field of Classification Search** D14/371-375,
D14/336, 337, 341, 320, 331, 125-129; 341/12,
341/22; 345/104, 156, 168, 173, 901-905;
348/180, 184, 325, 837; 349/1, 2, 11, 62;
361/679.08, 679.23

See application file for complete search history.

(56) **References Cited**

U.S. PATENT DOCUMENTS

D412,892 S * 8/1999 Lee D14/375
D416,875 S * 11/1999 Chuo et al. D14/375
D477,320 S * 7/2003 Peng et al. D14/375

D494,941 S * 8/2004 Kim D14/126
6,807,051 B2 * 10/2004 Takahashi 361/679.23
D522,509 S * 6/2006 Park et al. D14/375
D544,861 S * 6/2007 Hwang D14/375
D545,820 S * 7/2007 Won et al. D14/375
D551,186 S * 9/2007 Yang et al. D14/126
D556,160 S * 11/2007 Lee et al. D14/126

* cited by examiner

Primary Examiner—Freda S Nunn

(74) *Attorney, Agent, or Firm*—McGinn IP Law Group,
PLLC

(57) **CLAIM**

The ornamental design for liquid crystal display, as shown
and described.

DESCRIPTION

FIG. 1 is the perspective view of a liquid crystal display
showing my new design;

FIG. 2 is the front side elevational view thereof;

FIG. 3 is the rear side elevational view thereof;

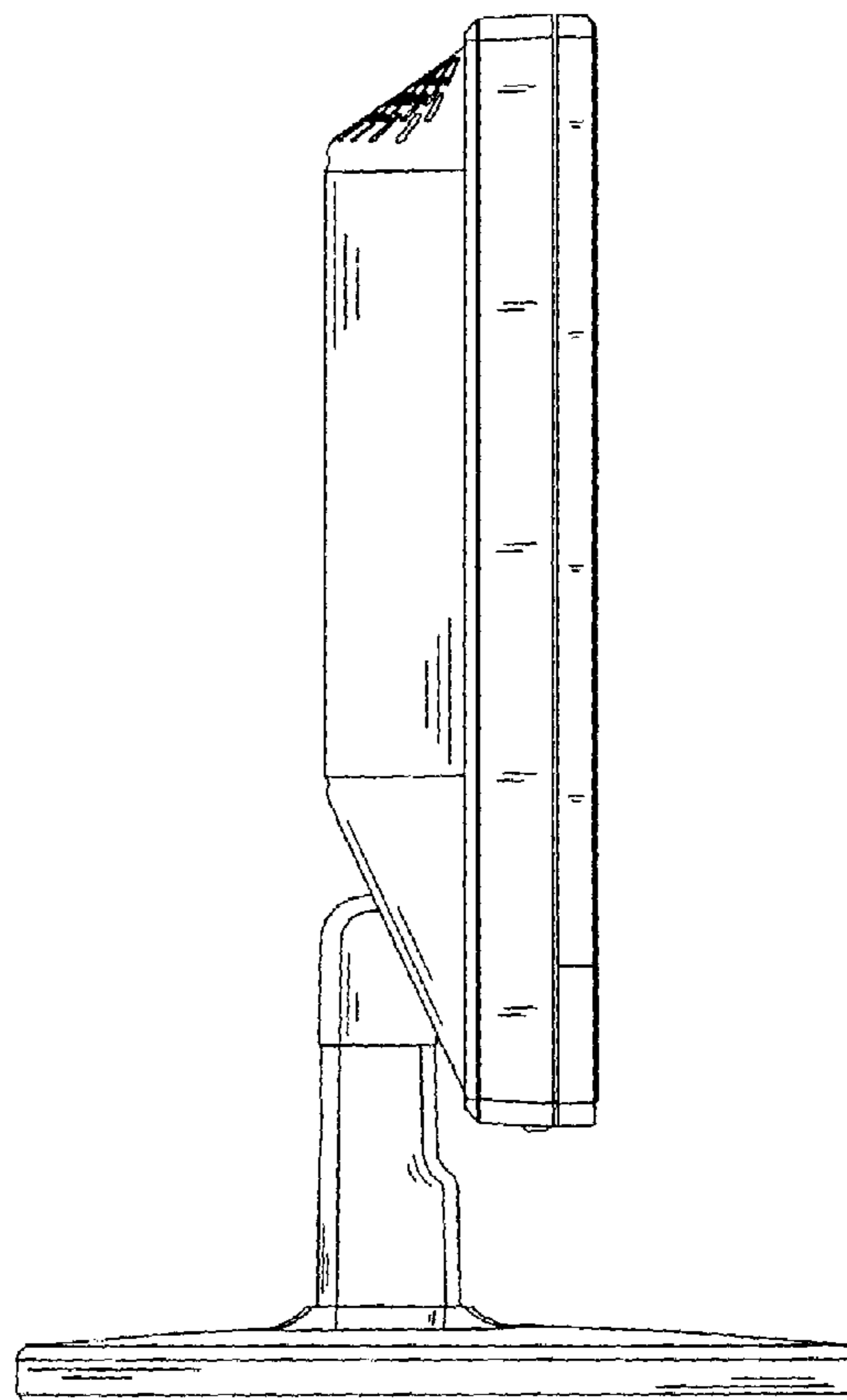
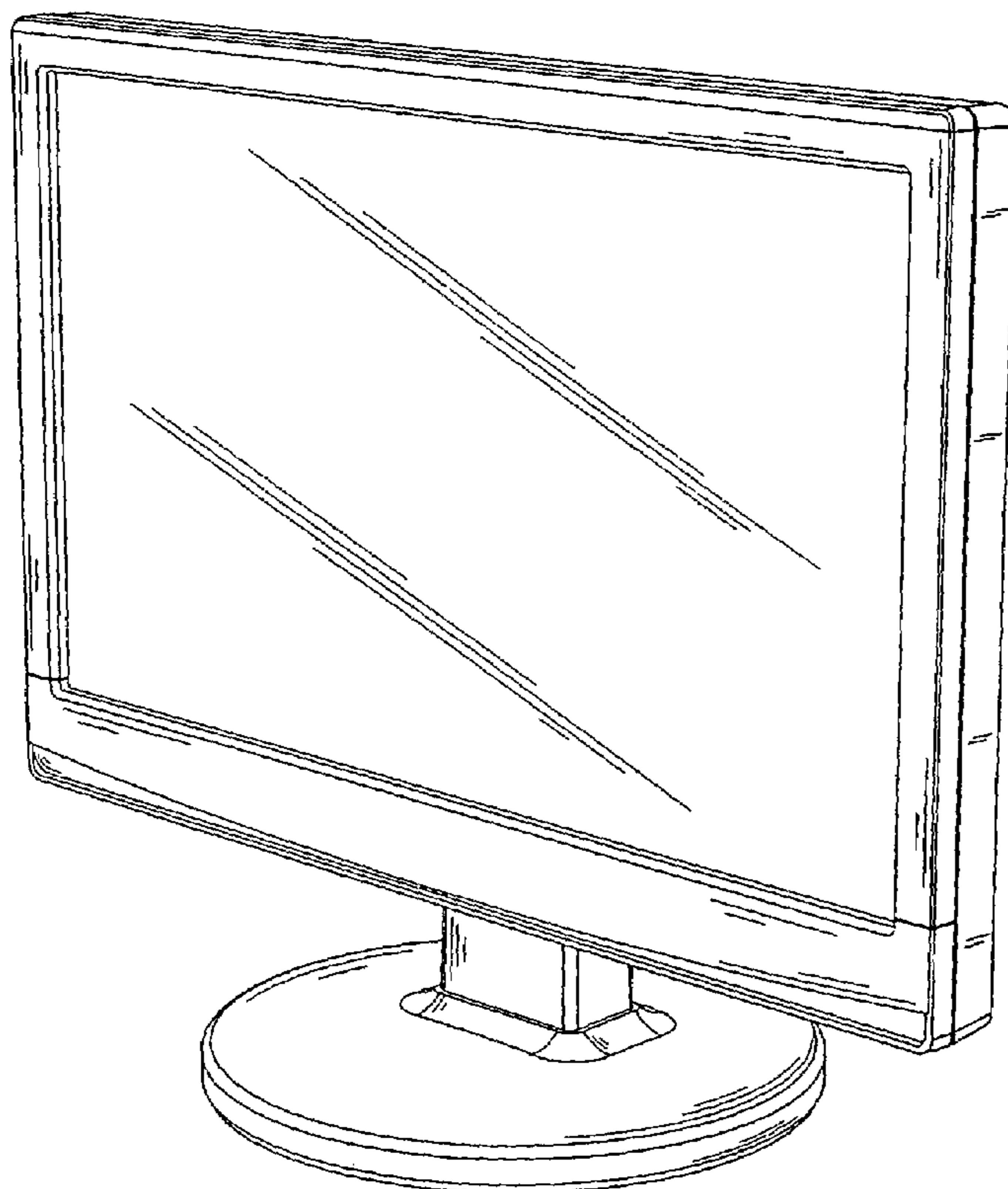
FIG. 4 is the left elevational view thereof;

FIG. 5 is the right elevational view thereof;

FIG. 6 is the top plan view thereof; and,

FIG. 7 is the bottom plan view thereof.

1 Claim, 7 Drawing Sheets



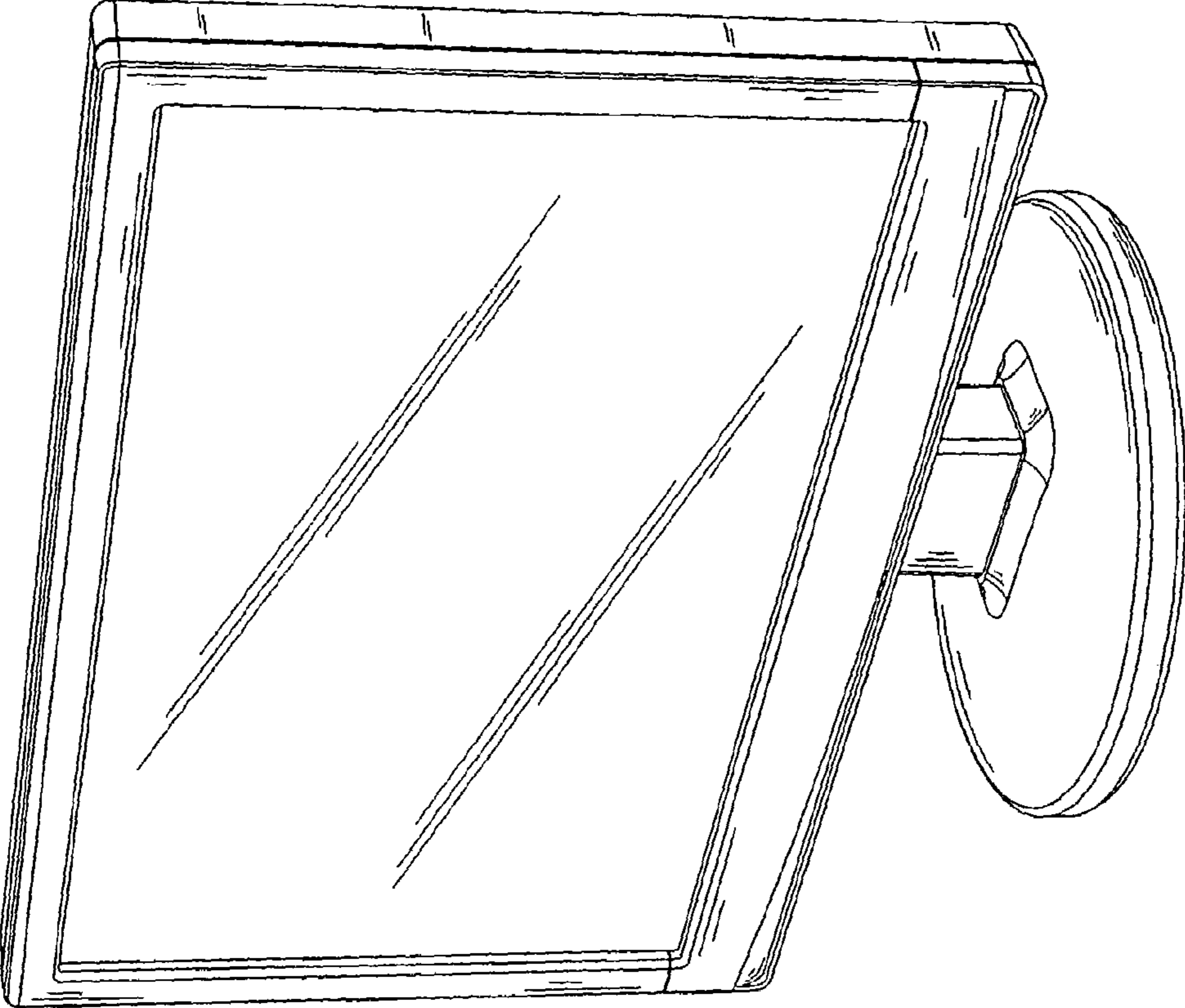


Fig. 1

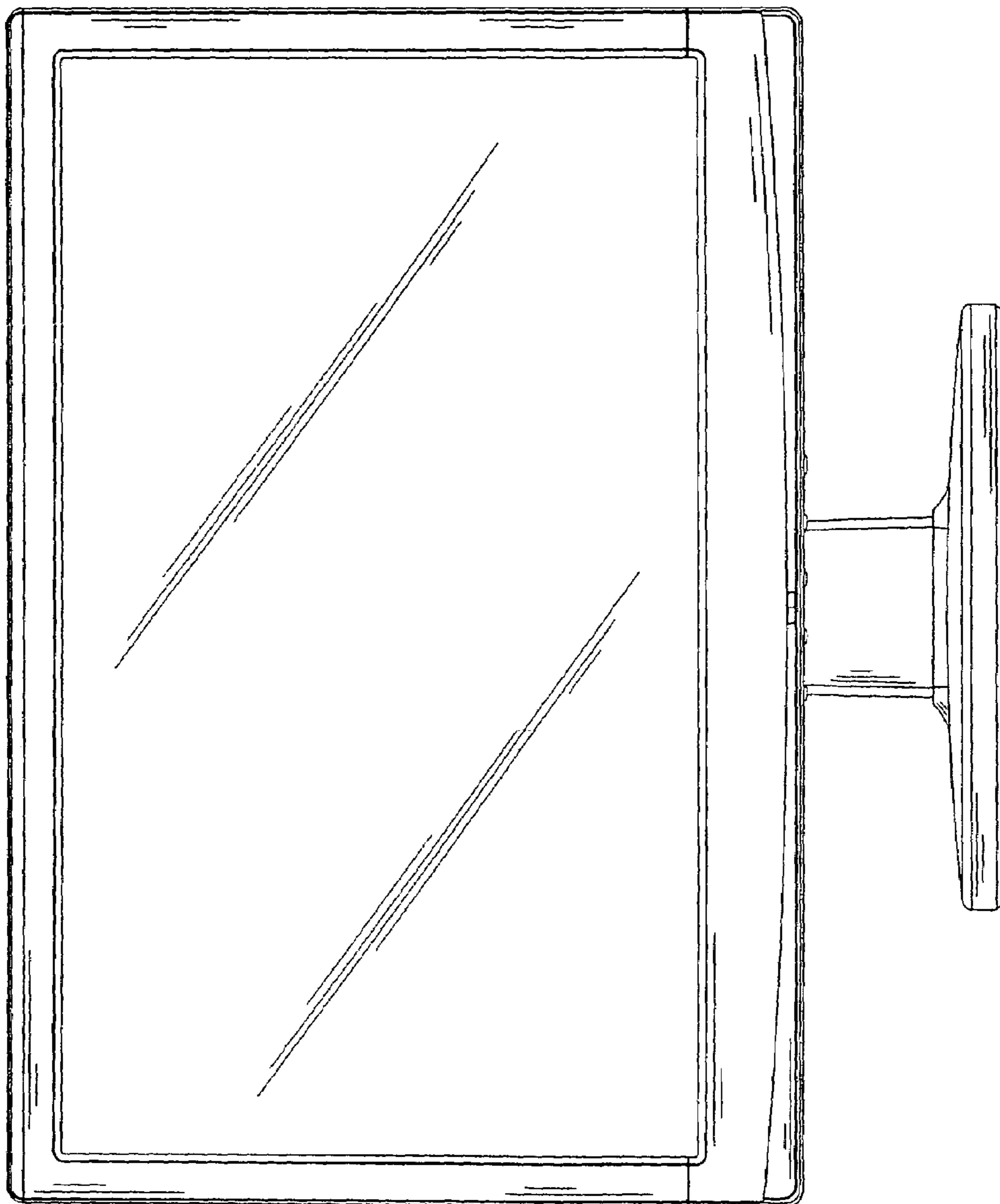


Fig. 2

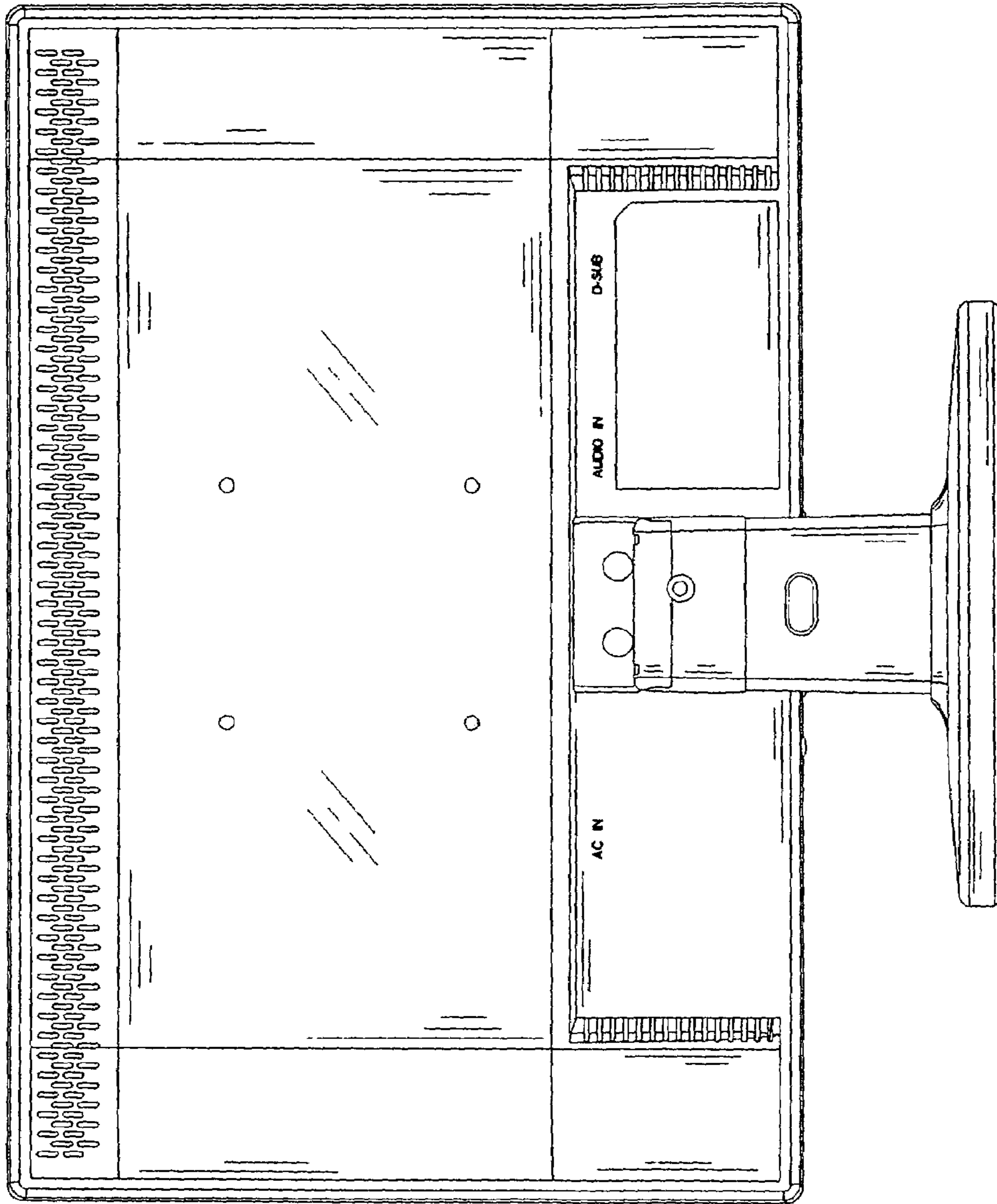


Fig. 3

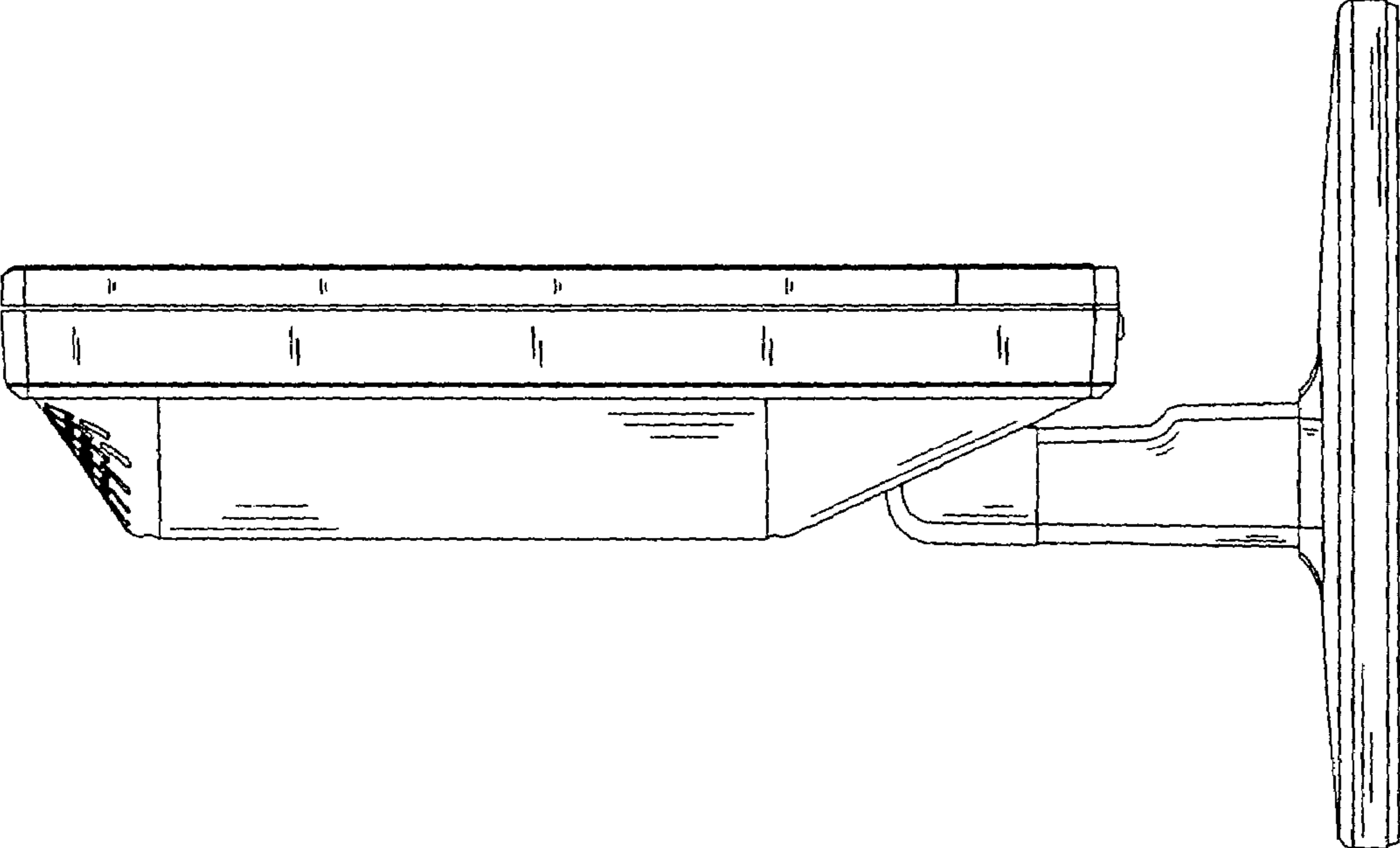


Fig. 4

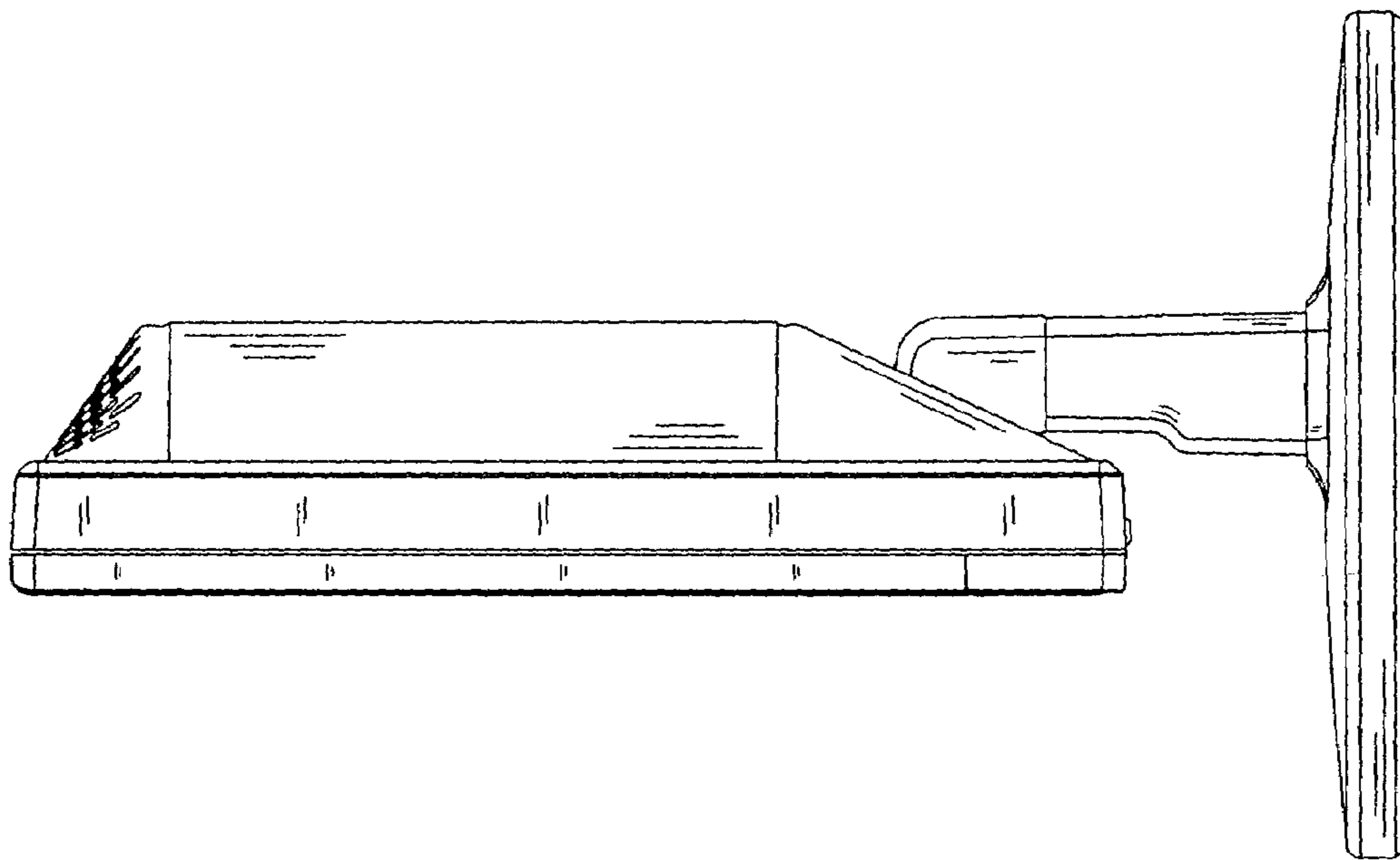


Fig. 5

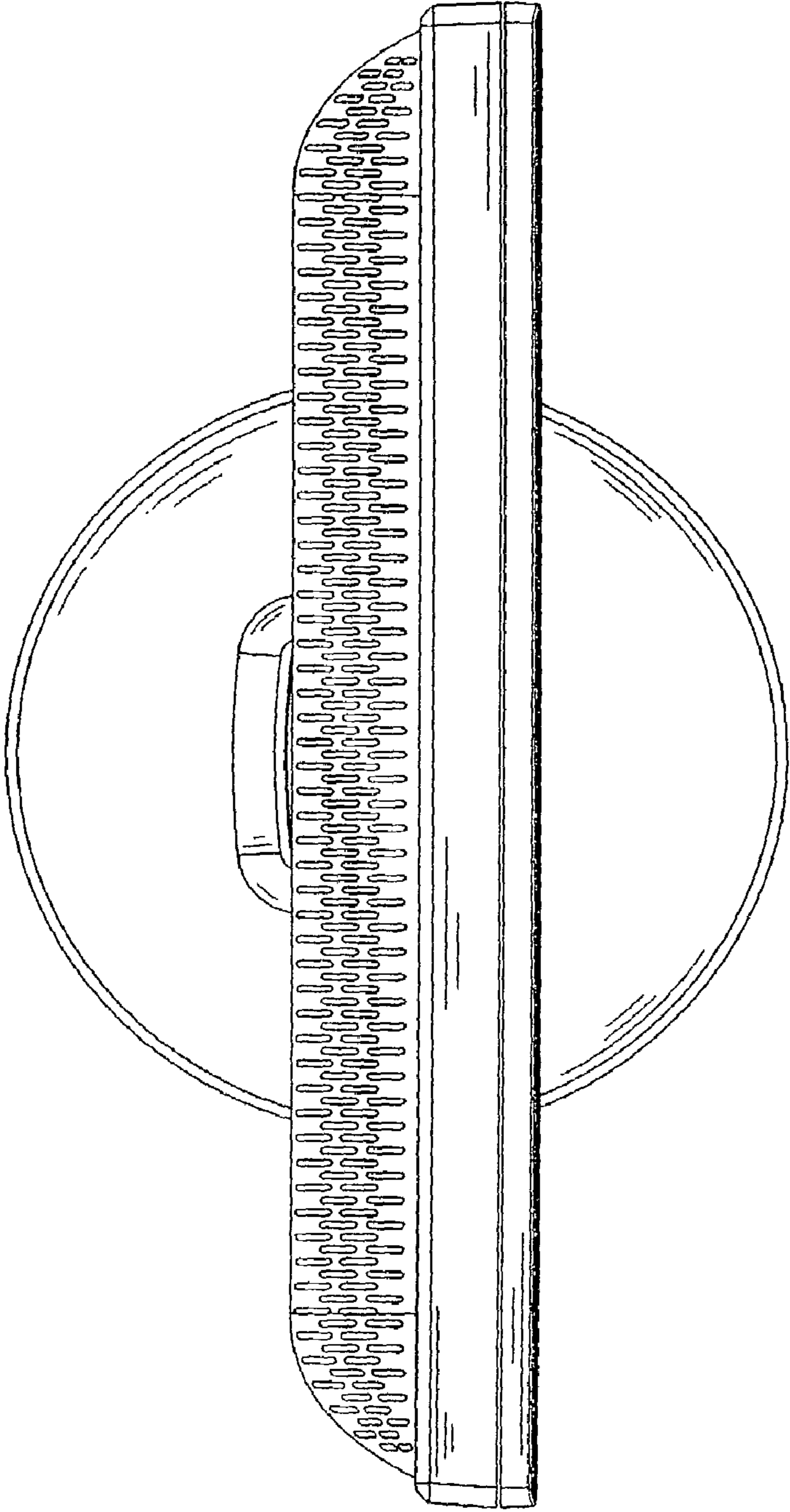


Fig. 6

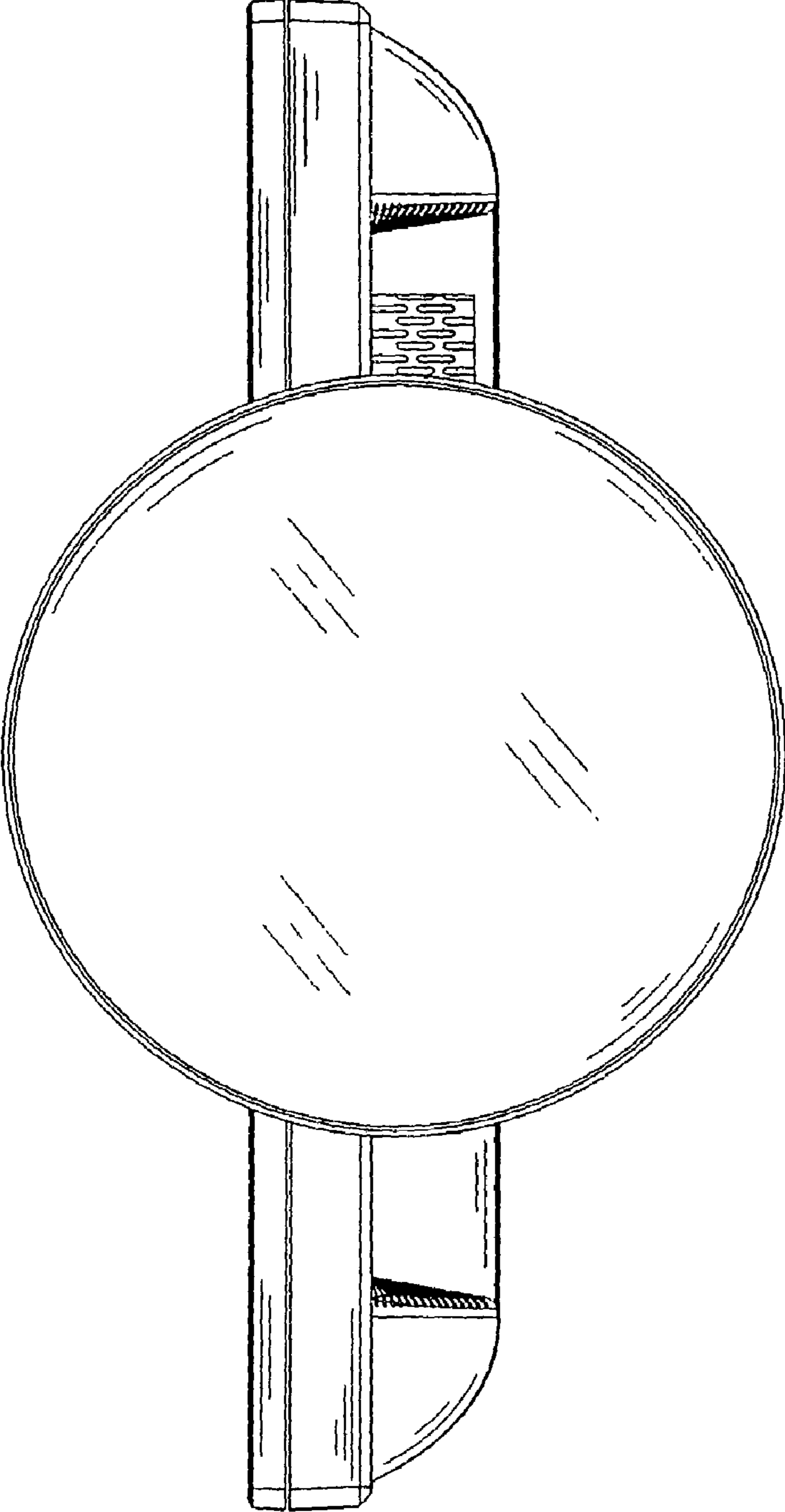


Fig. 7