



US00D610577S

(12) **United States Design Patent**  
**Jenkins**

(10) **Patent No.:** **US D610,577 S**

(45) **Date of Patent:** **\*\* Feb. 23, 2010**

(54) **ANTENNA CORNER MOUNT**

(75) Inventor: **Richard Jenkins**, Alton (GB)

(73) Assignee: **Paradigm Ltd.**, Alton (GB)

(\*\*) Term: **14 Years**

(21) Appl. No.: **29/333,109**

(22) Filed: **Mar. 3, 2009**

(51) **LOC (9) Cl.** ..... **14-03**

(52) **U.S. Cl.** ..... **D14/238**

(58) **Field of Classification Search** ..... D14/230-238,  
D14/354, 299, 358; D6/495; D16/242; 343/700 R,  
343/878-892; 455/561

See application file for complete search history.

(56) **References Cited**

**U.S. PATENT DOCUMENTS**

2,525,911	A	*	10/1950	Keene et al.	.....	384/536
D171,477	S	*	2/1954	Anderson	.....	D6/415
2,921,307	A	*	1/1960	Risk	.....	343/705
D264,963	S	*	6/1982	McComas	.....	D13/182
D426,827	S	*	6/2000	Tsai Wang	.....	D14/231
D467,485	S	*	12/2002	Daniels et al.	.....	D8/70
D519,992	S	*	5/2006	McAnally	.....	D14/238

D533,547	S	*	12/2006	Sergi	.....	D14/238
D534,904	S	*	1/2007	Crawford	.....	D14/238
D563,950	S	*	3/2008	Yamashita et al.	.....	D14/233
D577,727	S	*	9/2008	Morrow et al.	.....	D14/417
2009/0102723	A1	*	4/2009	Mateychuk et al.	...	343/700 MS

\* cited by examiner

*Primary Examiner*—T. Chase Nelson

*Assistant Examiner*—John Windmuller

(74) *Attorney, Agent, or Firm*—Harness, Dickey & Pierce, P.L.C.

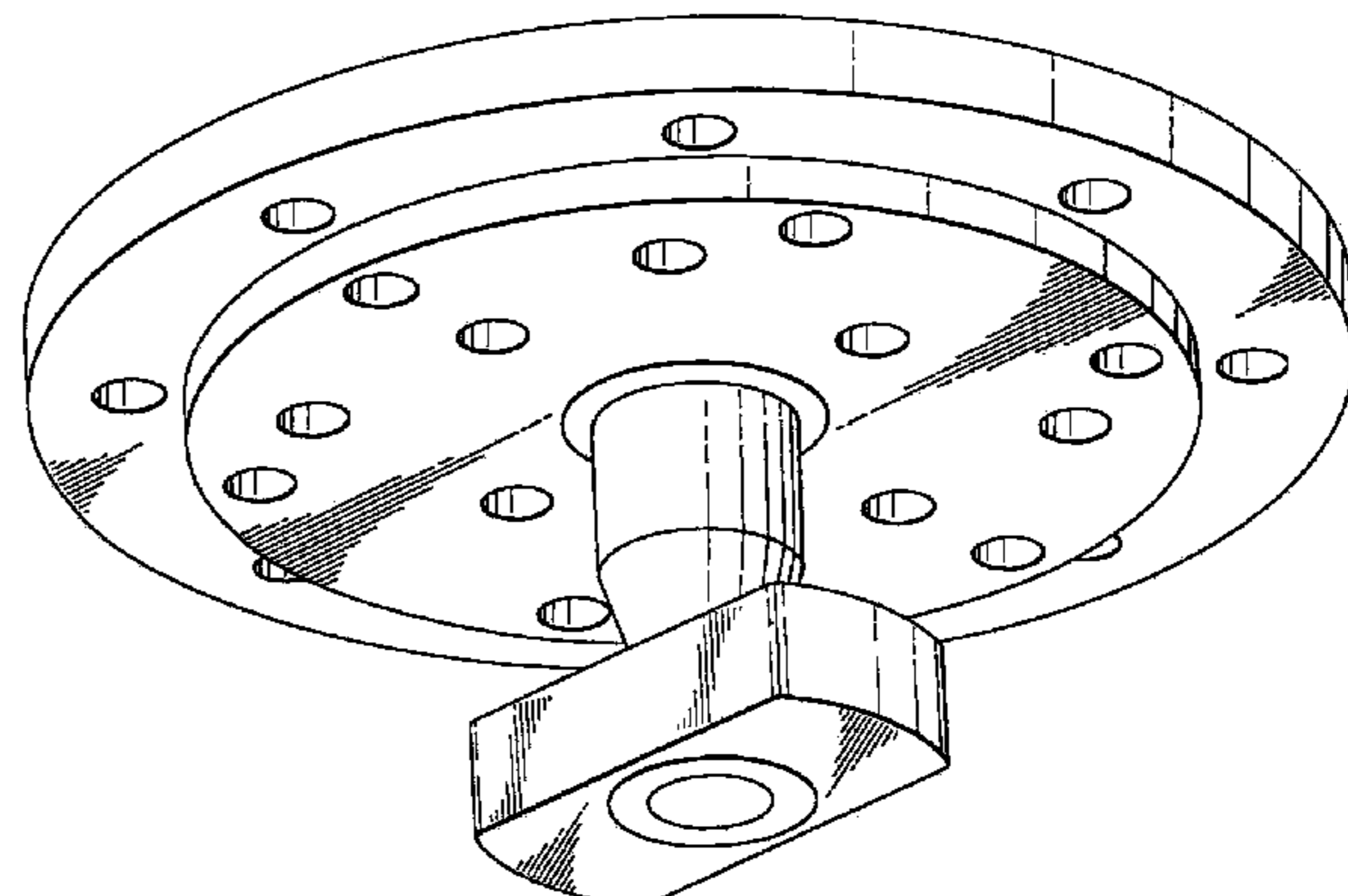
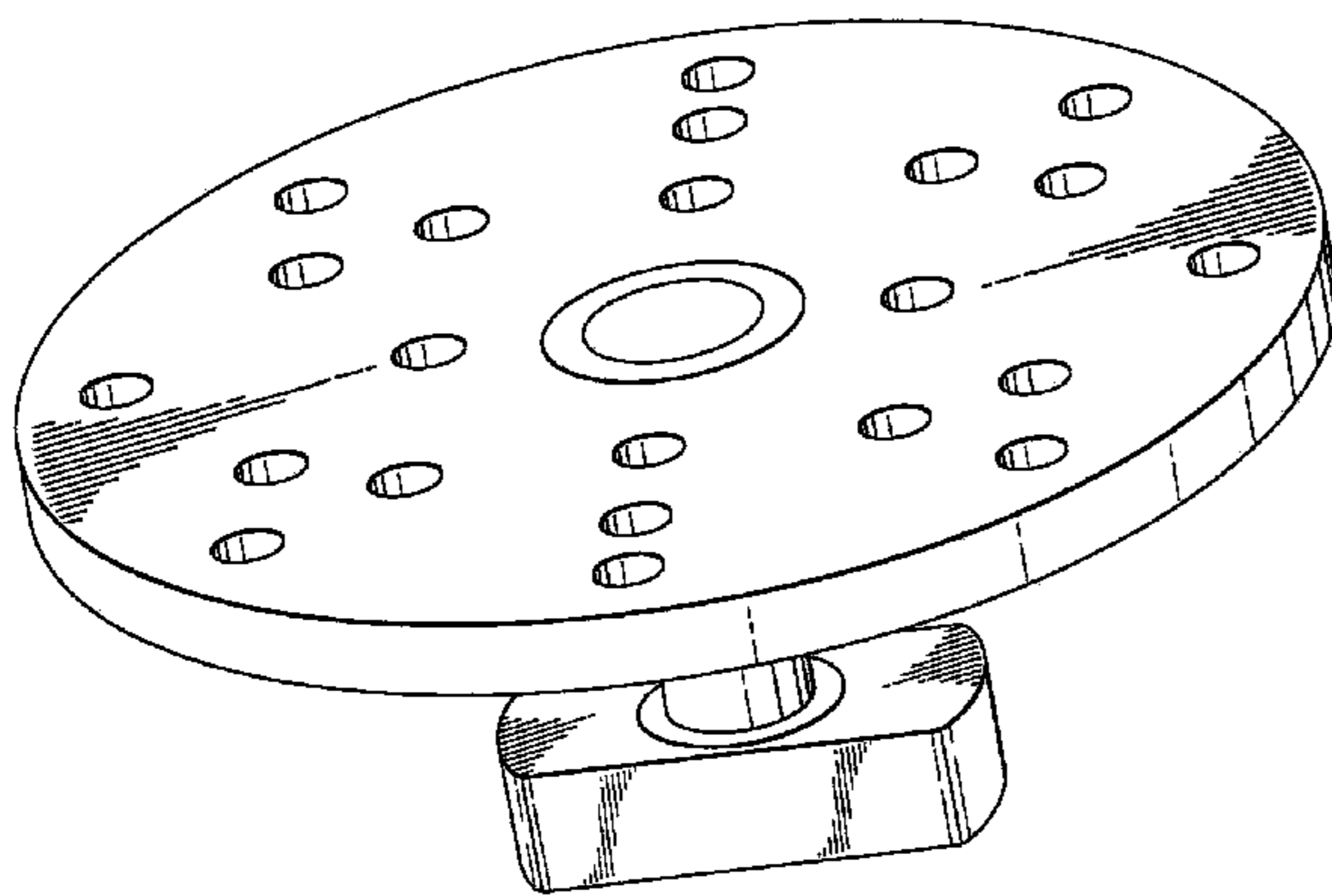
(57) **CLAIM**

The ornamental design for an antenna corner mount, as shown and described.

**DESCRIPTION**

FIG. 1 is a top perspective view of an antenna corner mount; FIG. 2 is a bottom perspective view thereof; FIG. 3 is a top view thereof; FIG. 4 is a bottom view thereof; FIG. 5 is a side view thereof; and, FIG. 6 is a side view thereof.

**1 Claim, 3 Drawing Sheets**



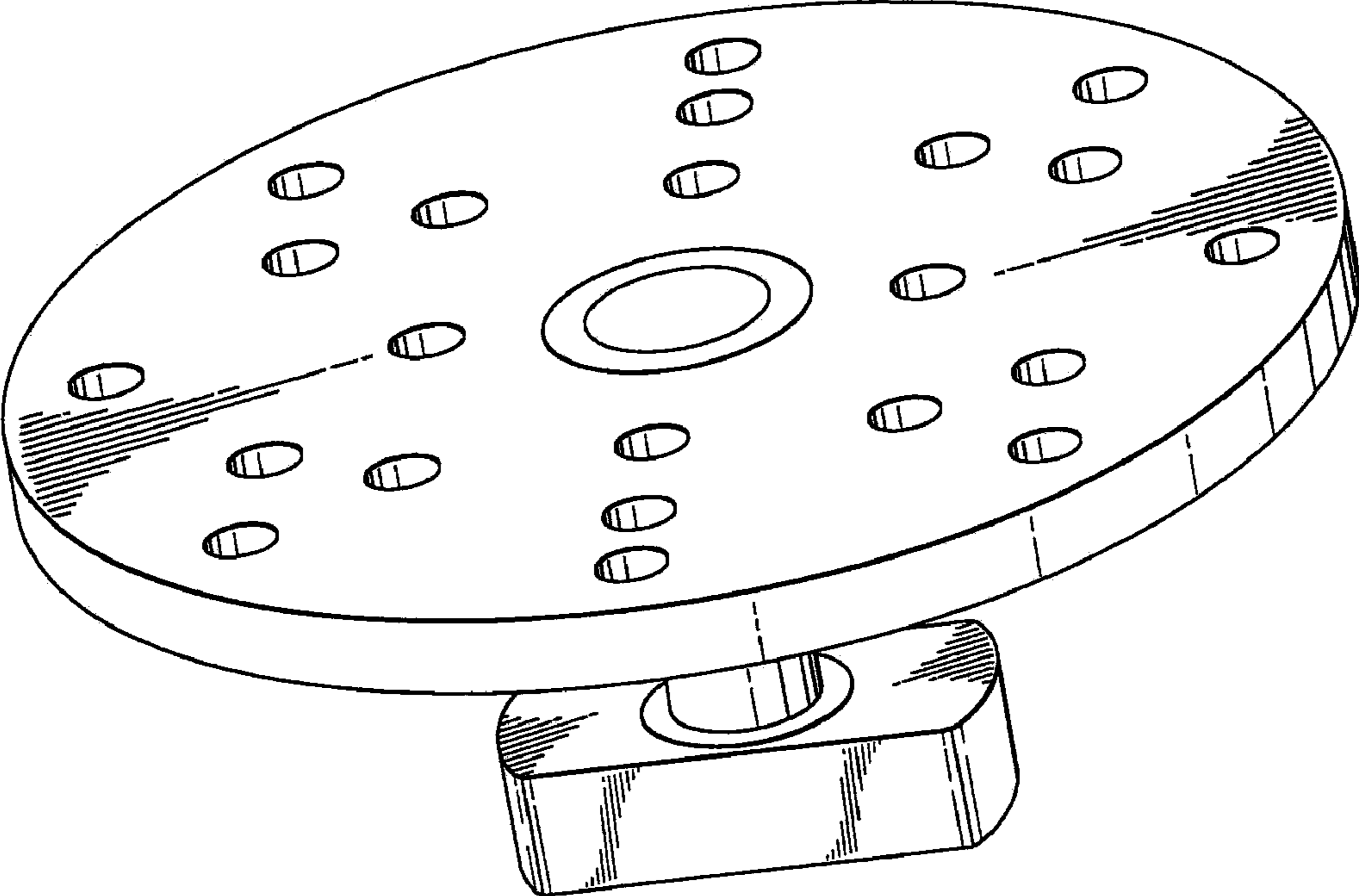


FIG. 1

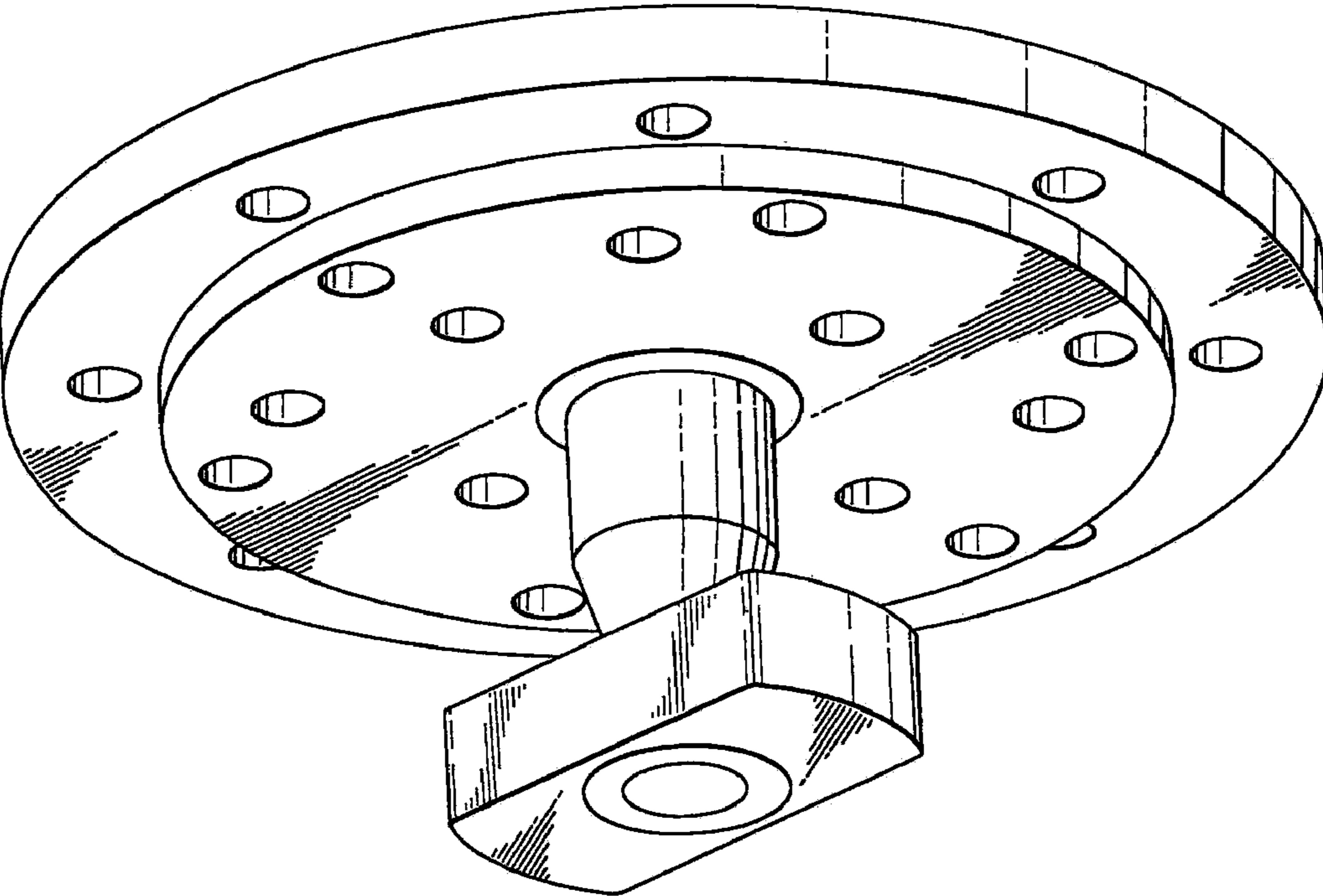


FIG. 2

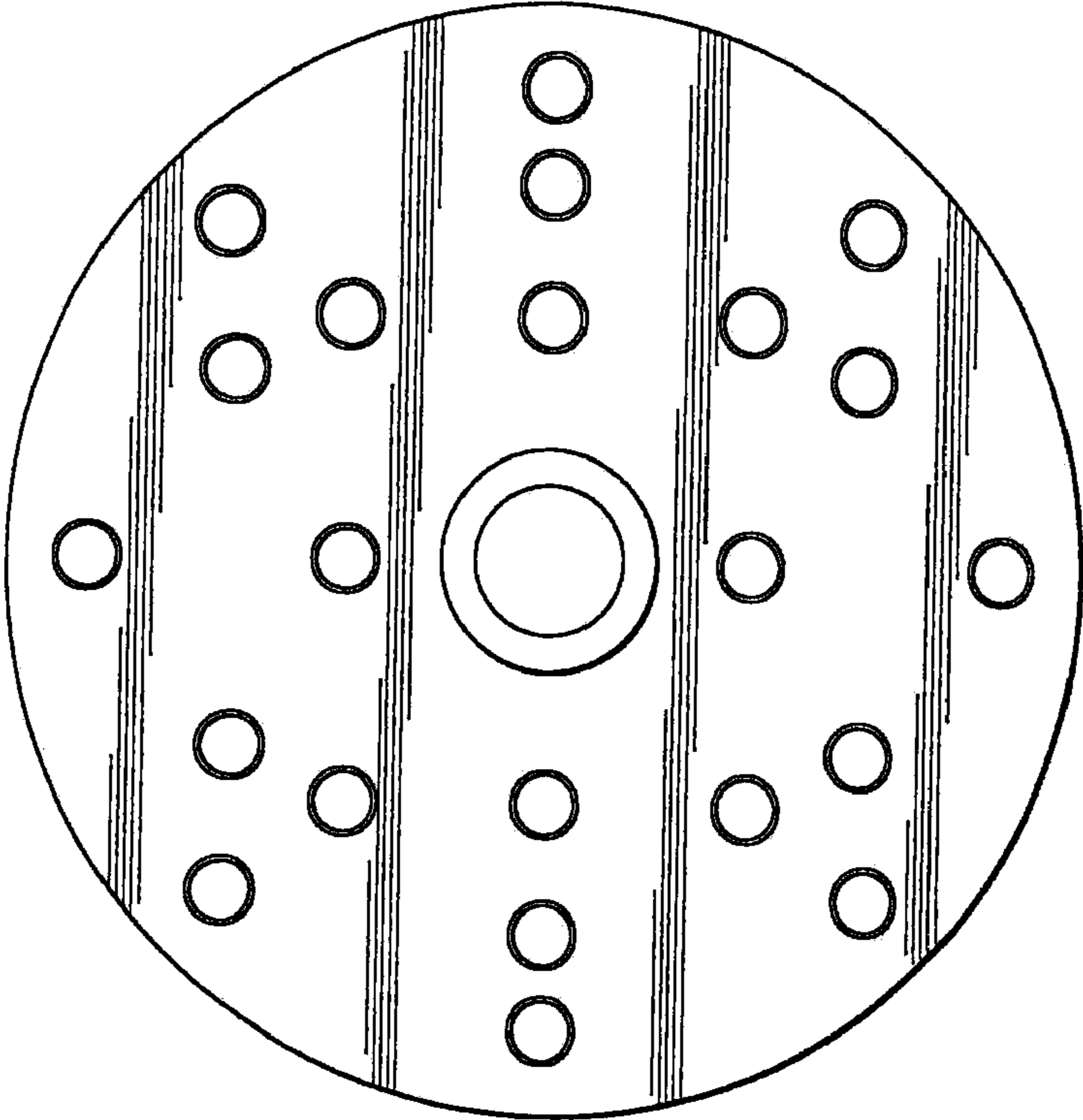


FIG. 3

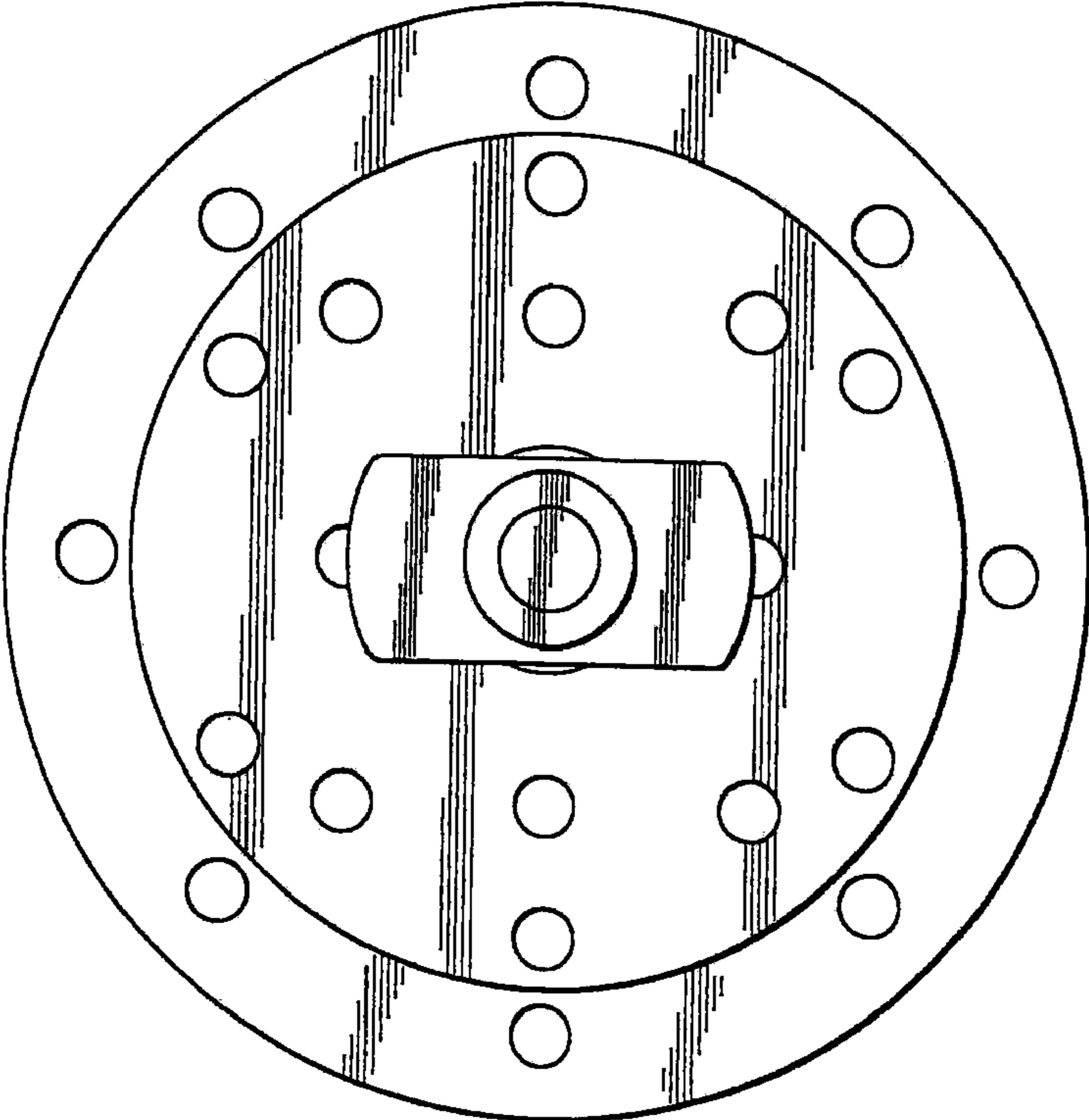
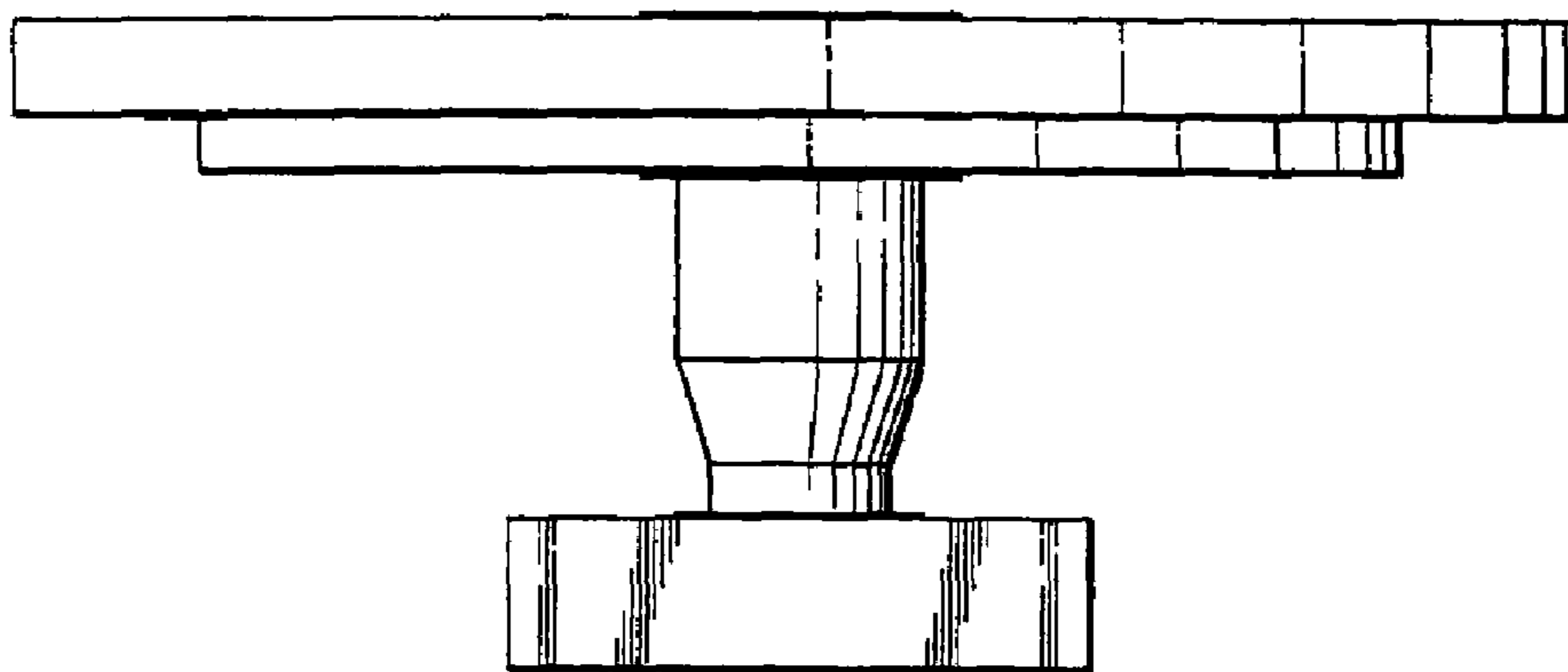
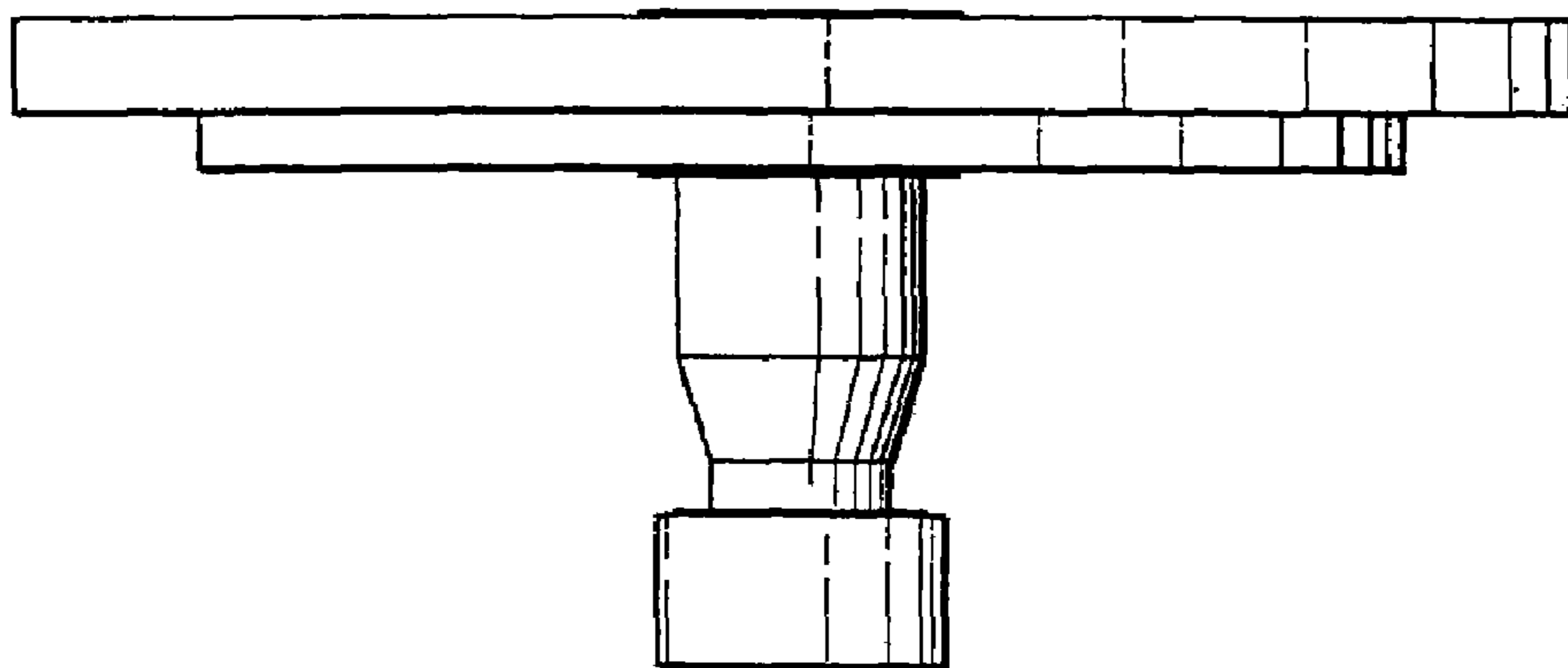


FIG. 4



*FIG. 5*



*FIG. 6*