



US00D610573S

(12) **United States Design Patent**
Joseph

(10) **Patent No.:** **US D610,573 S**

(45) **Date of Patent:** **** Feb. 23, 2010**

(54) **EXPANDABLE STEREO SPEAKER**

(74) *Attorney, Agent, or Firm*—Ostrolenk Faber LLP

(75) Inventor: **Brian Joseph**, Brooklyn, NY (US)

(57) **CLAIM**

(73) Assignee: **SDI Technologies, Inc.**, Rahway, NJ (US)

The ornamental design for an expandable stereo speaker, as shown and described.

(**) Term: **14 Years**

DESCRIPTION

(21) Appl. No.: **29/337,068**

FIG. 1 is a front, side, perspective view of an expandable stereo speaker in an opened condition showing my new design;

(22) Filed: **May 14, 2009**

FIG. 2 is a front view thereof;

(51) **LOC (9) Cl.** **14-01**

FIG. 3 is a rear view thereof;

(52) **U.S. Cl.** **D14/216**

FIG. 4 is a top view thereof;

(58) **Field of Classification Search** D14/204,
D14/210–216, 172; 181/143–144, 147–148,
181/150–153, 157, 198–199; 381/300–303,
381/306, 332–333, 336, 345, 361–364, 386–388
See application file for complete search history.

FIG. 5 is a bottom view thereof;

FIG. 6 is a side view thereof;

FIG. 7 is an opposite side view thereof;

(56) **References Cited**

FIG. 8 is a front, side, perspective view thereof in a closed condition;

U.S. PATENT DOCUMENTS

FIG. 9 is a front view thereof;

D315,562 S * 3/1991 Brown D14/213

FIG. 10 is a rear view thereof;

D342,738 S * 12/1993 Hwang D14/213

FIG. 11 is a side view thereof; and,

5,319,164 A * 6/1994 Shen 181/150

FIG. 12 is an opposite side view thereof.

D467,238 S * 12/2002 Hlas et al. D14/216

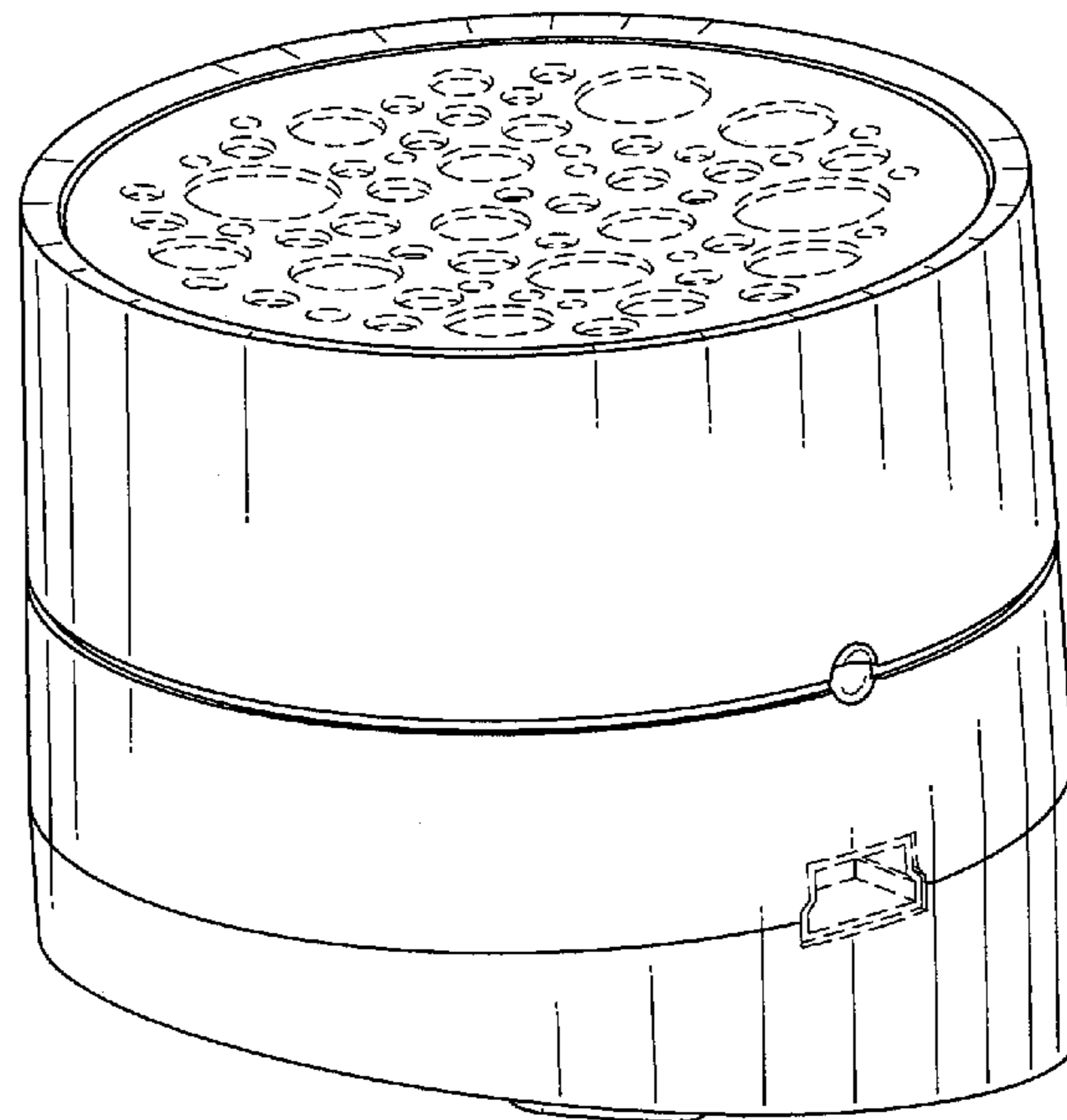
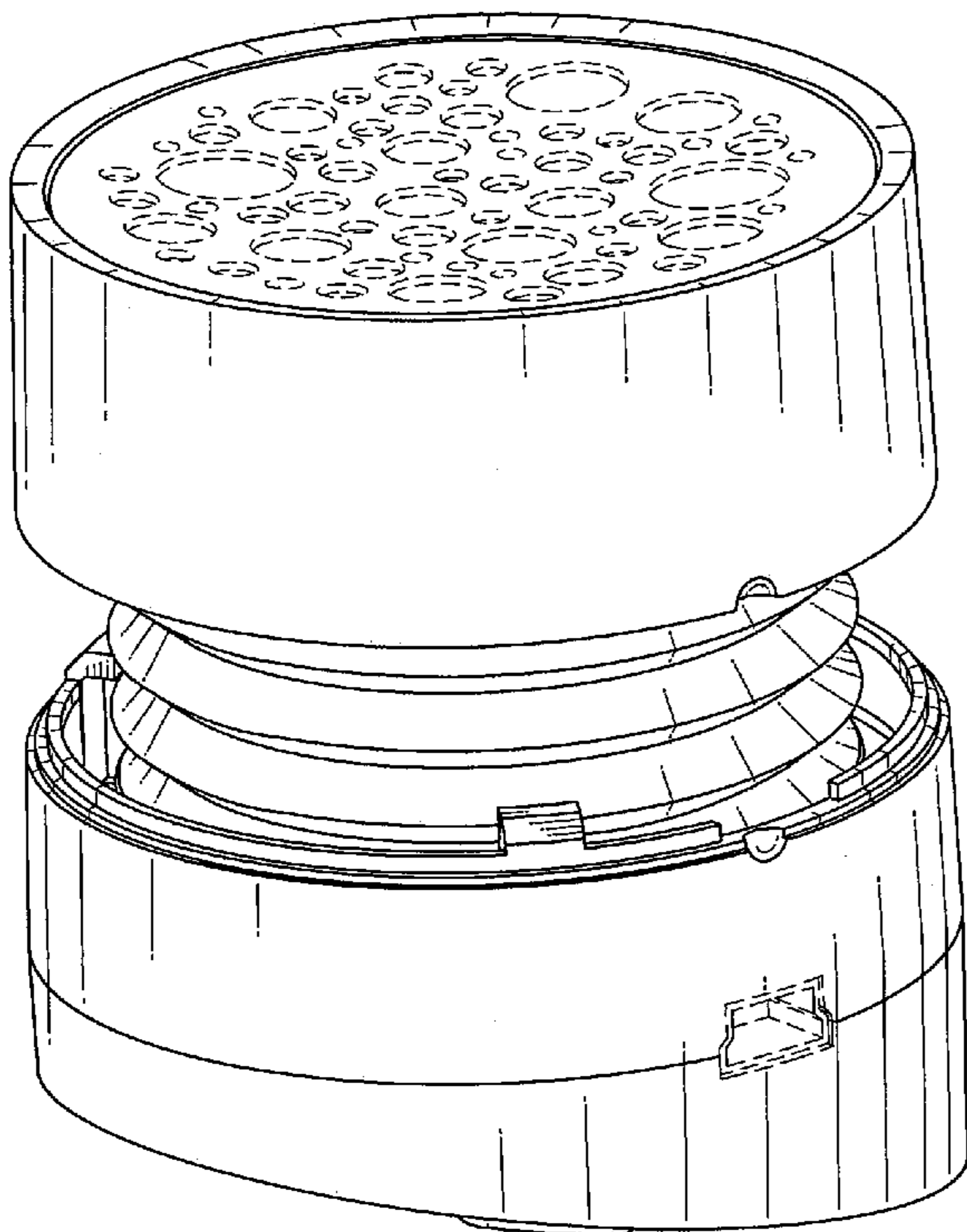
The broken lines in the drawings illustrate environmental material that forms no part of the claimed design.

D484,492 S * 12/2003 Welker et al. D14/216

* cited by examiner

Primary Examiner—Nanda Bondade

1 Claim, 12 Drawing Sheets



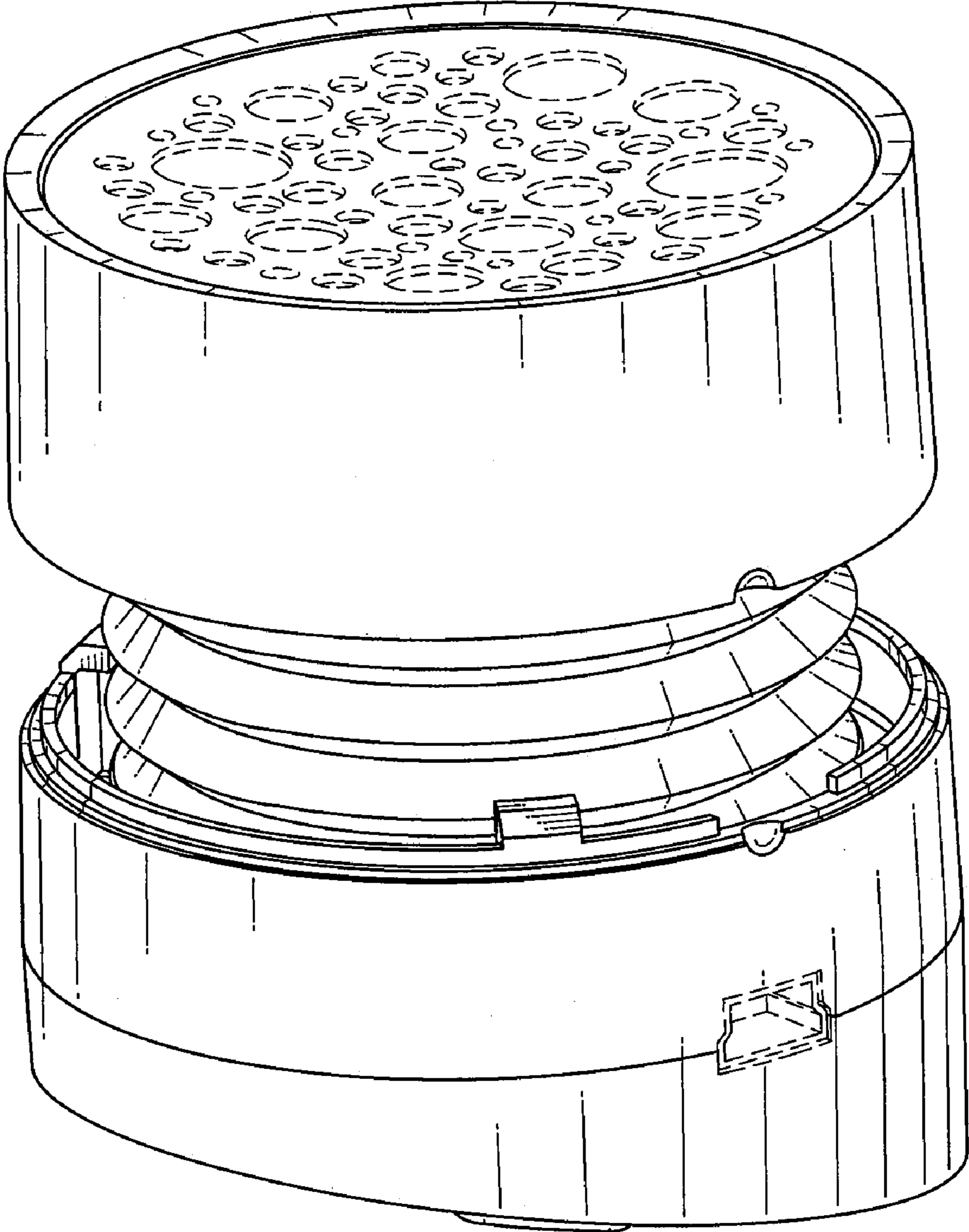


FIG. 1

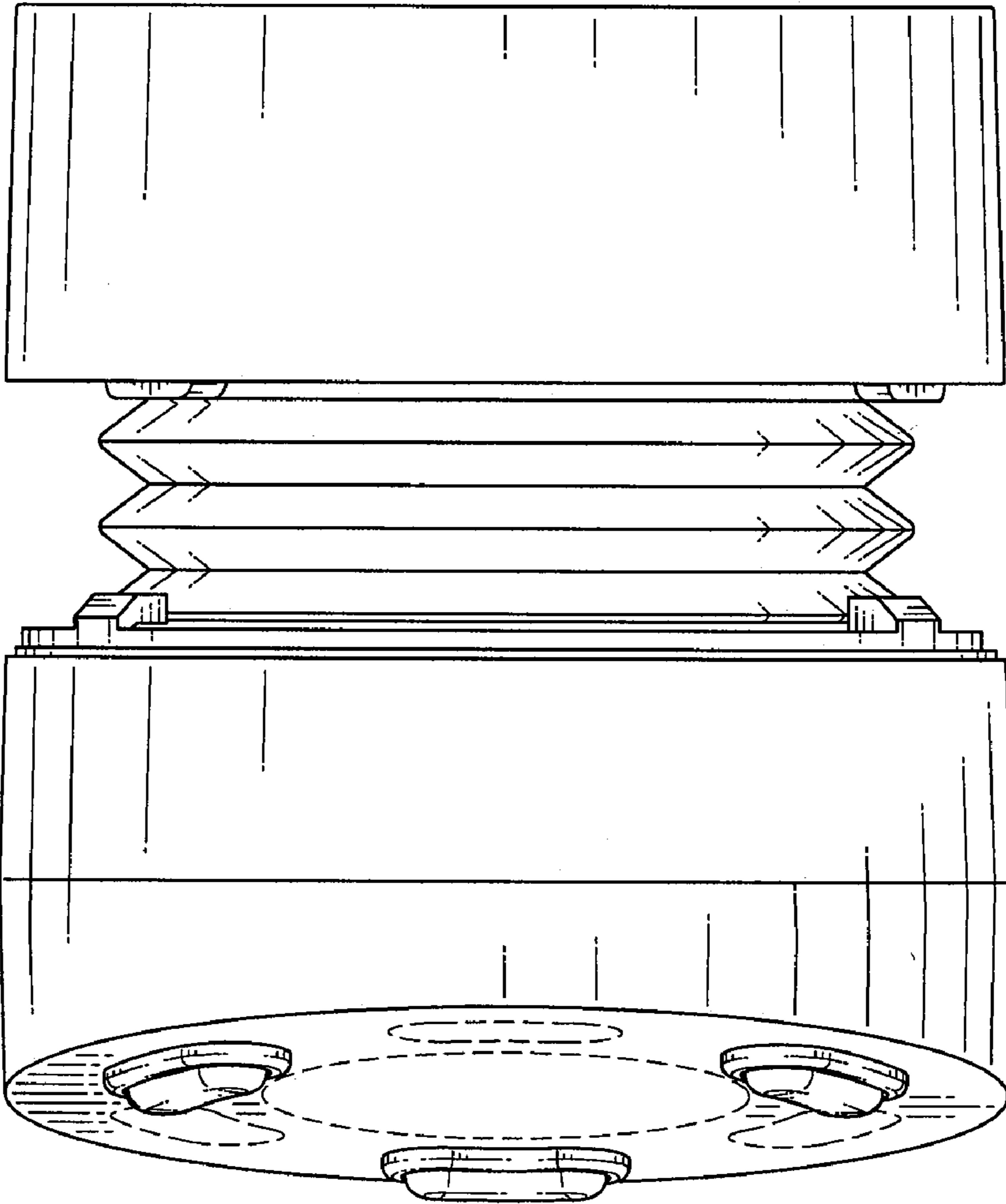


FIG. 2

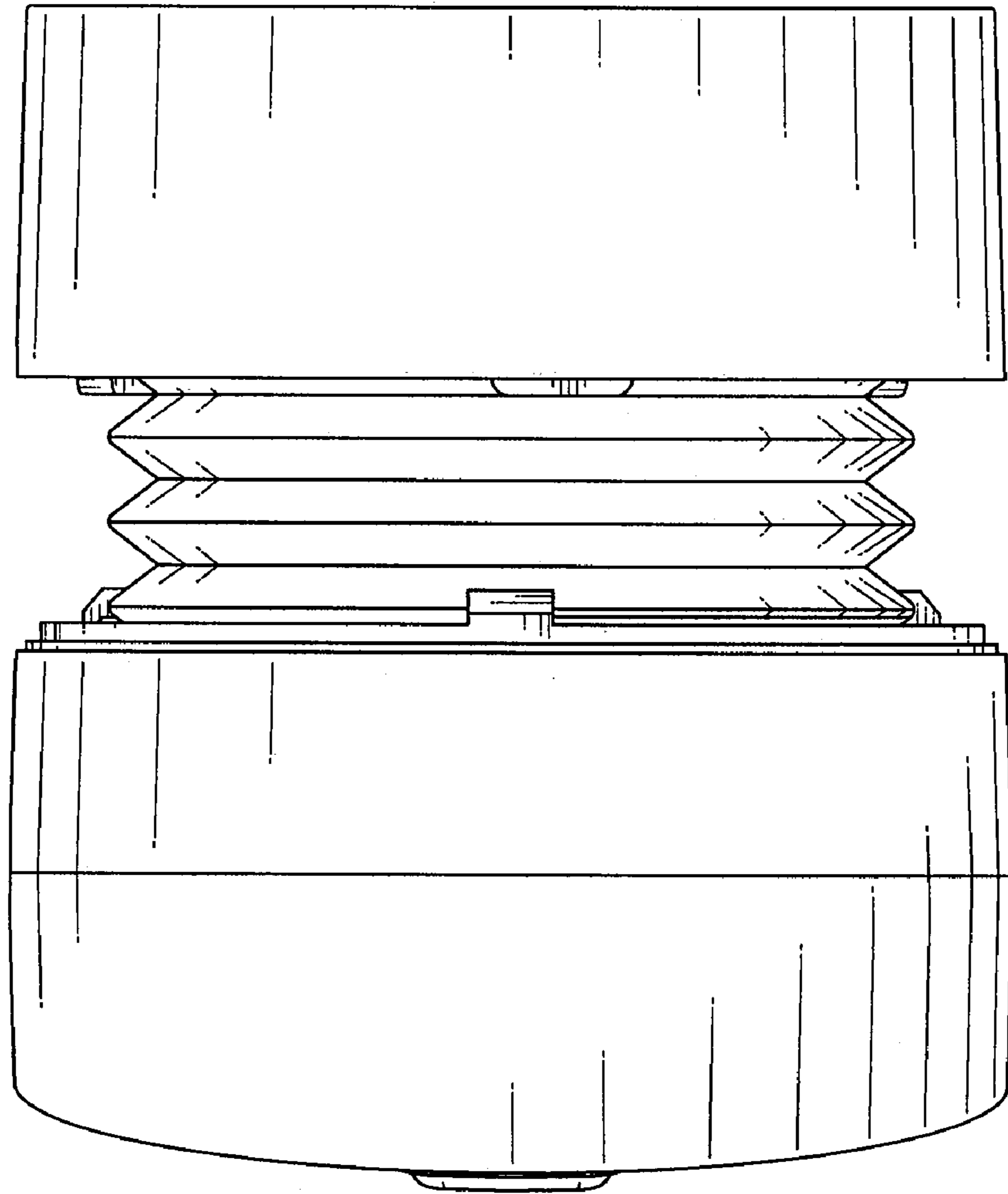


FIG. 3

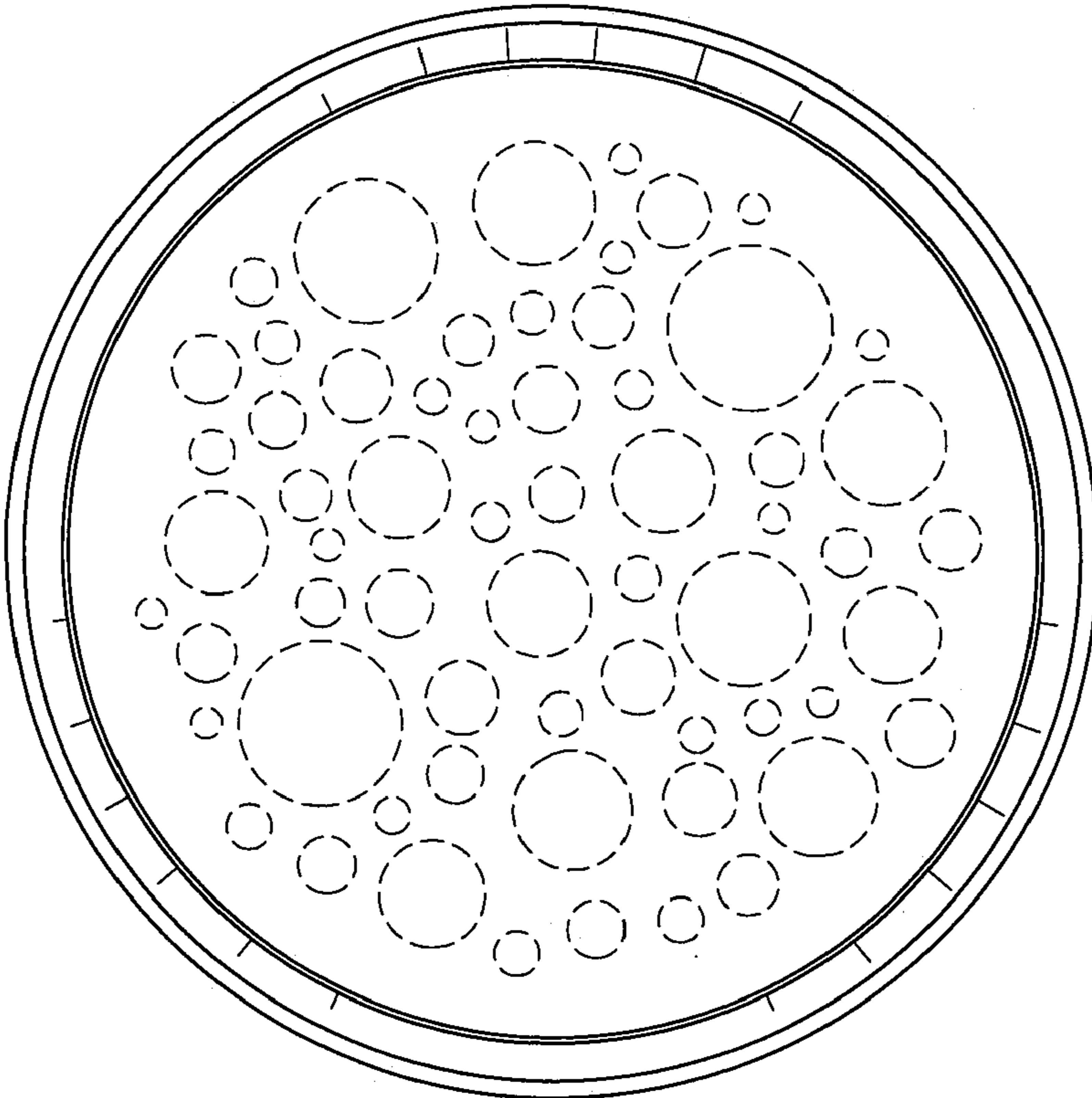


FIG. 4

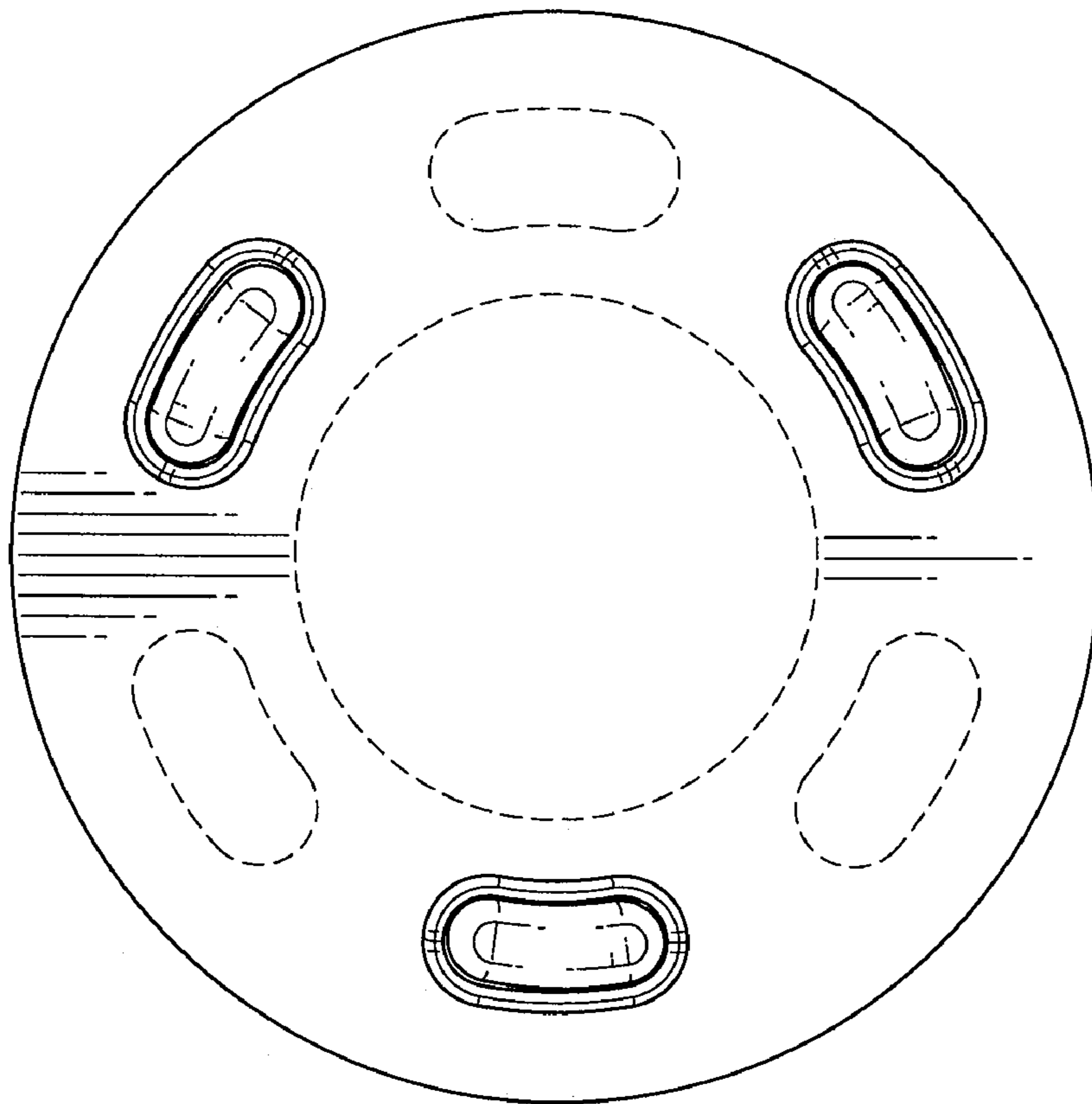


FIG. 5

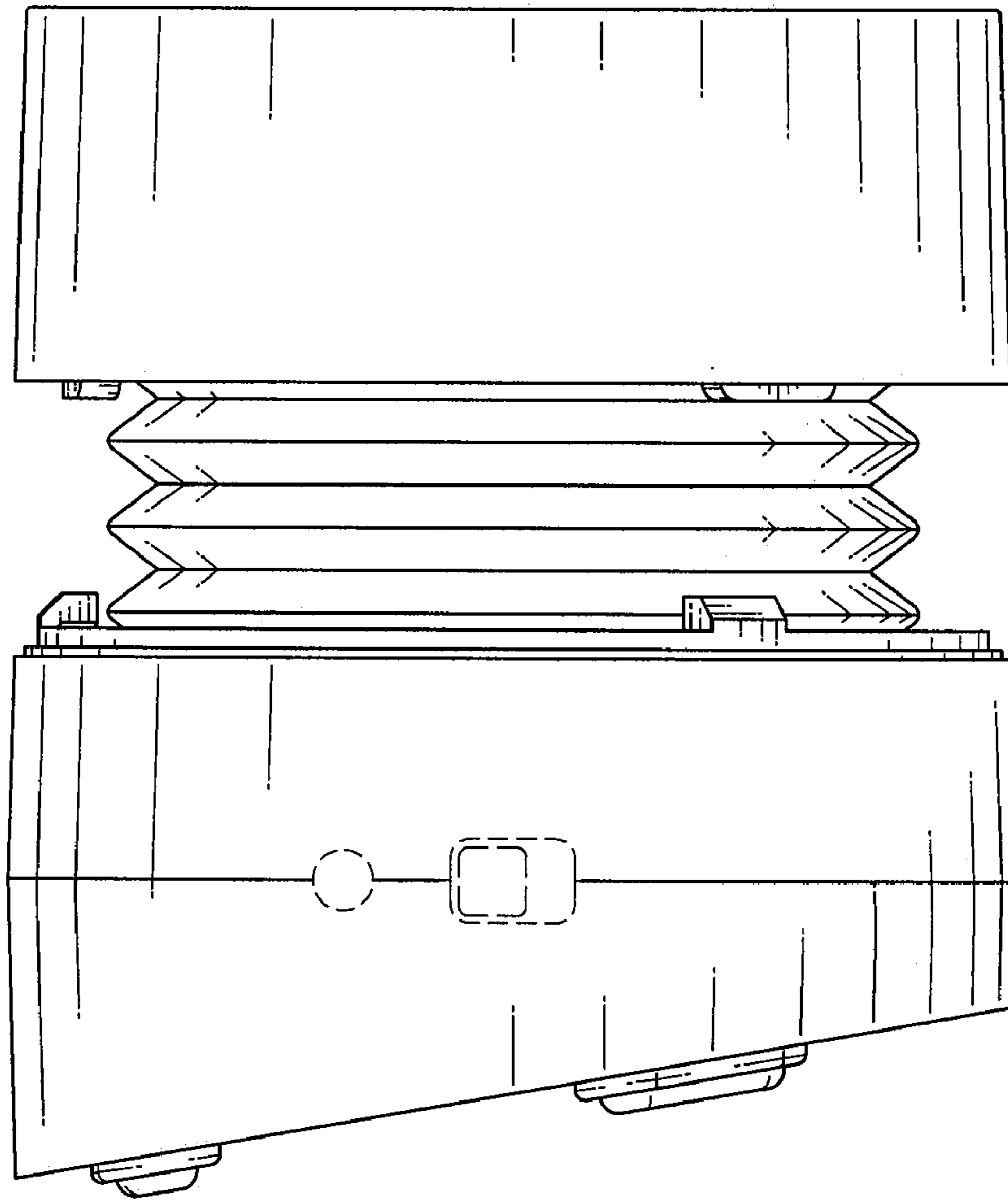


FIG. 6

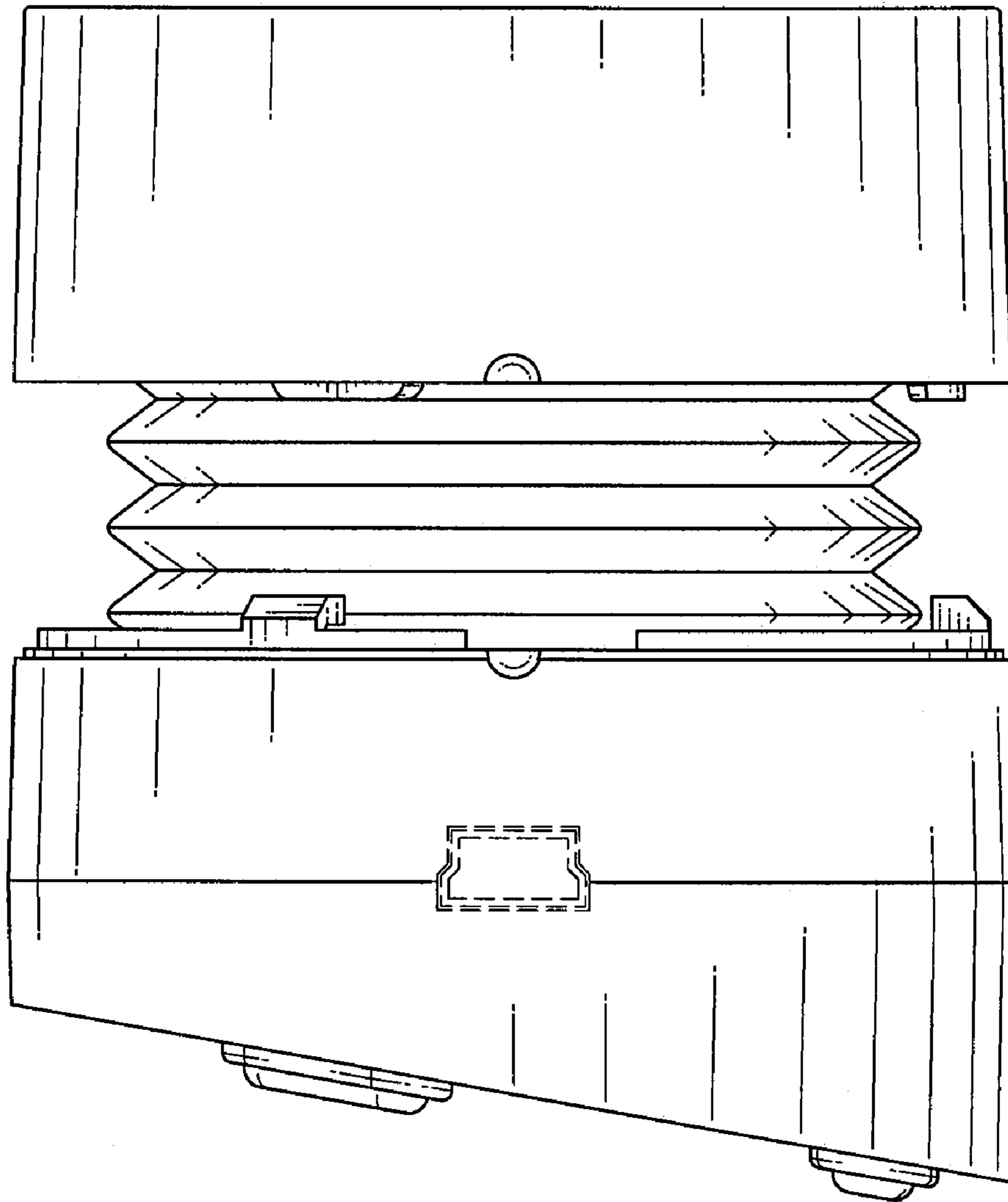


FIG. 7

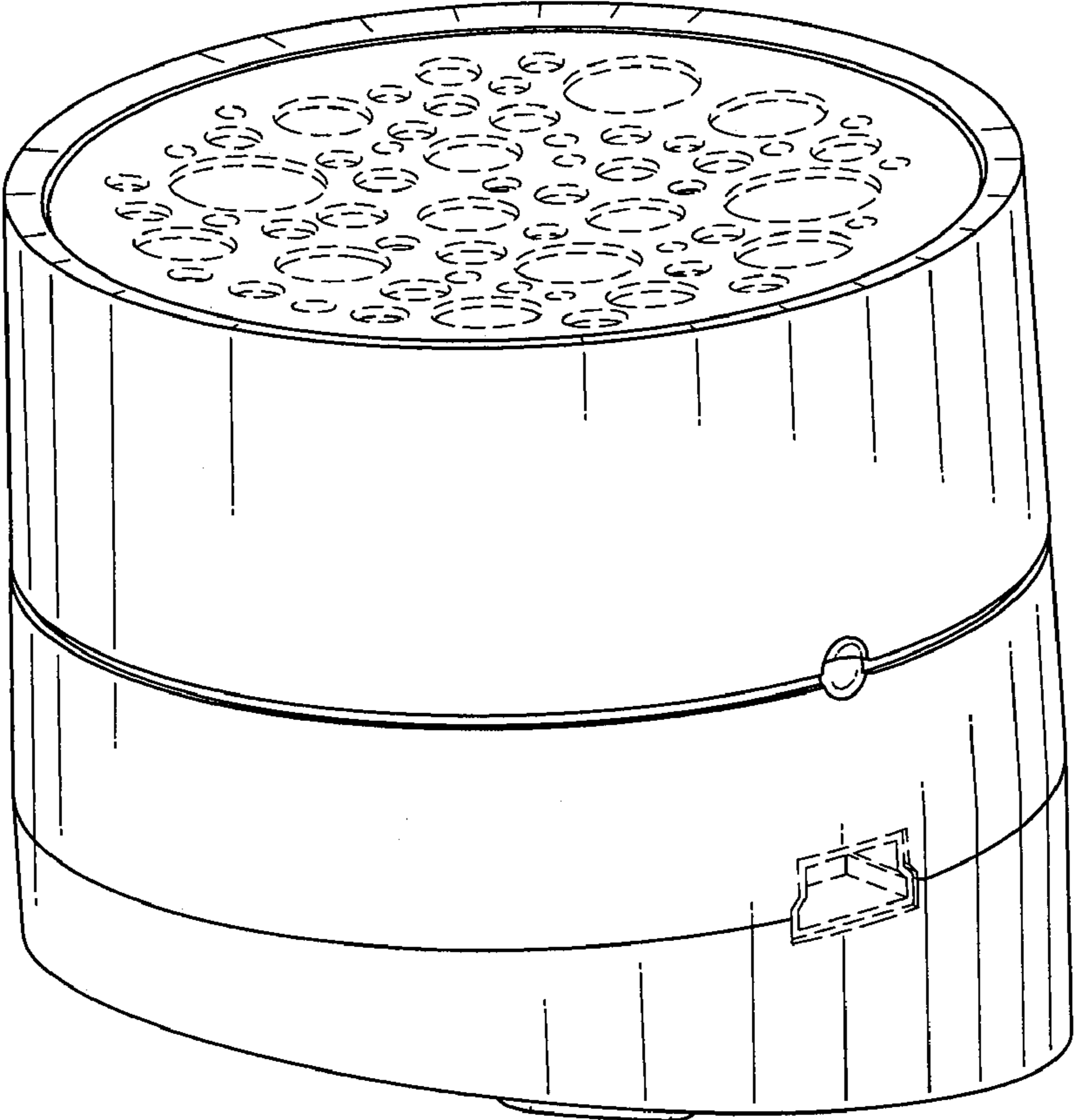


FIG. 8

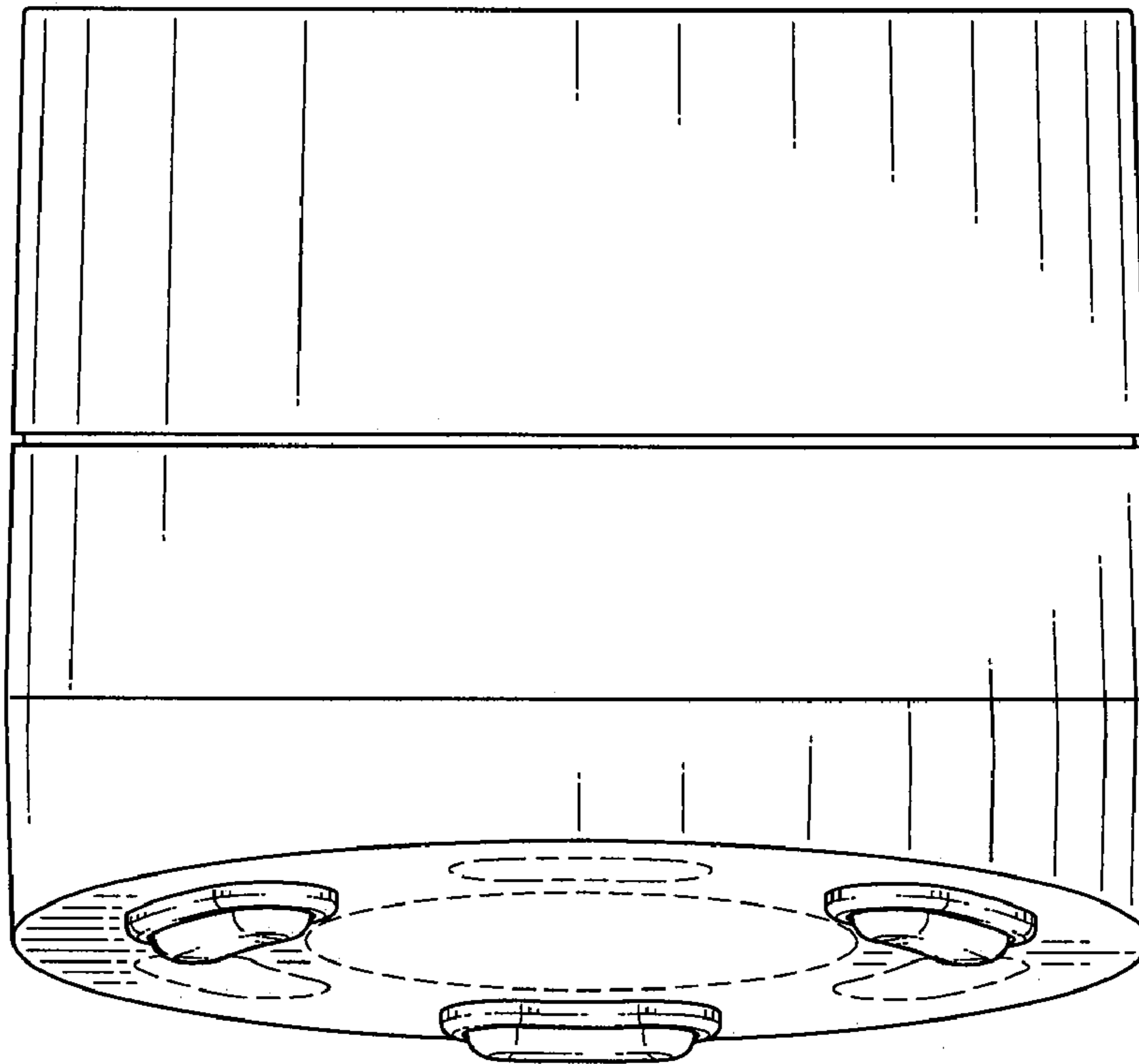


FIG. 9

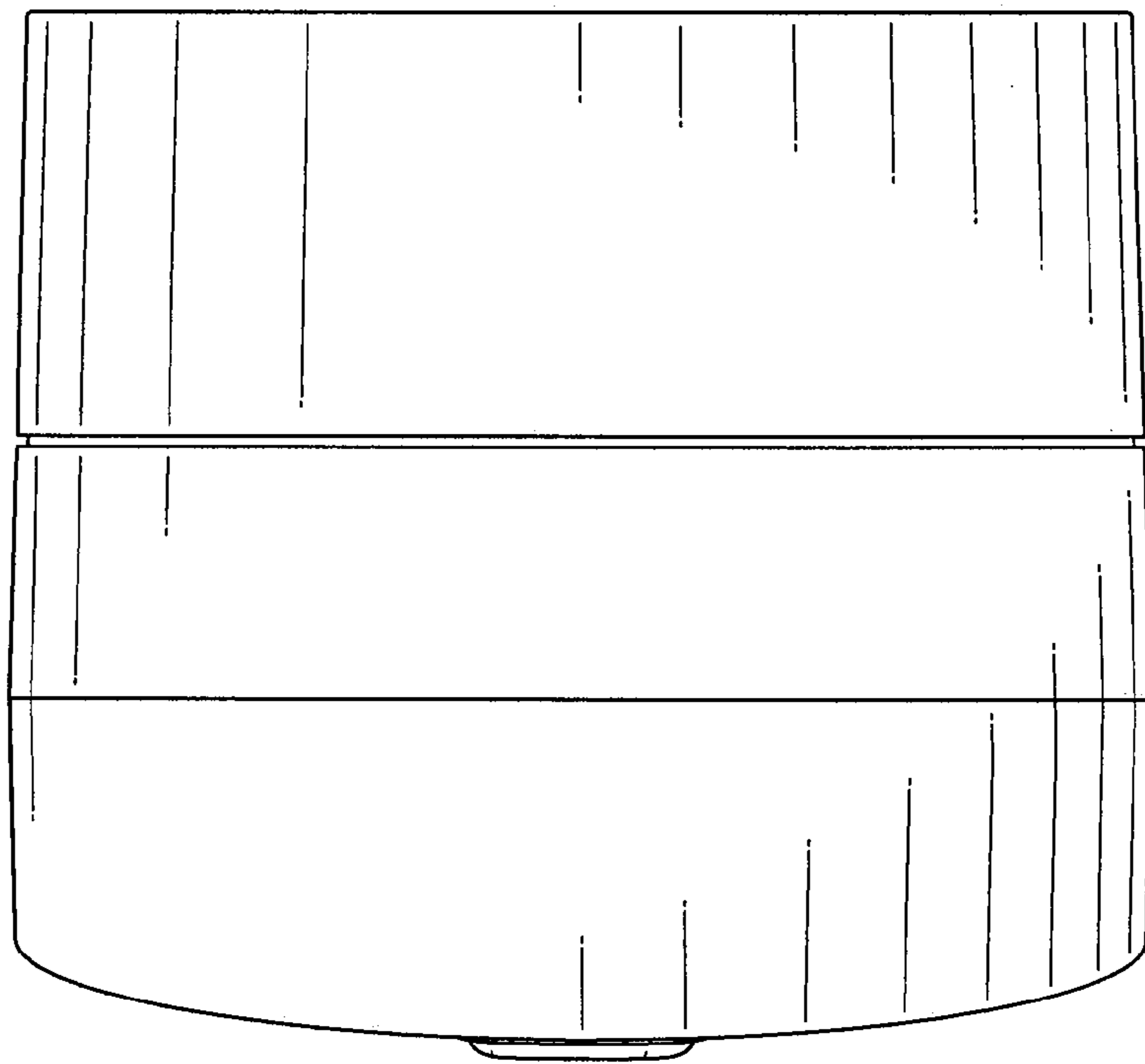


FIG. 10

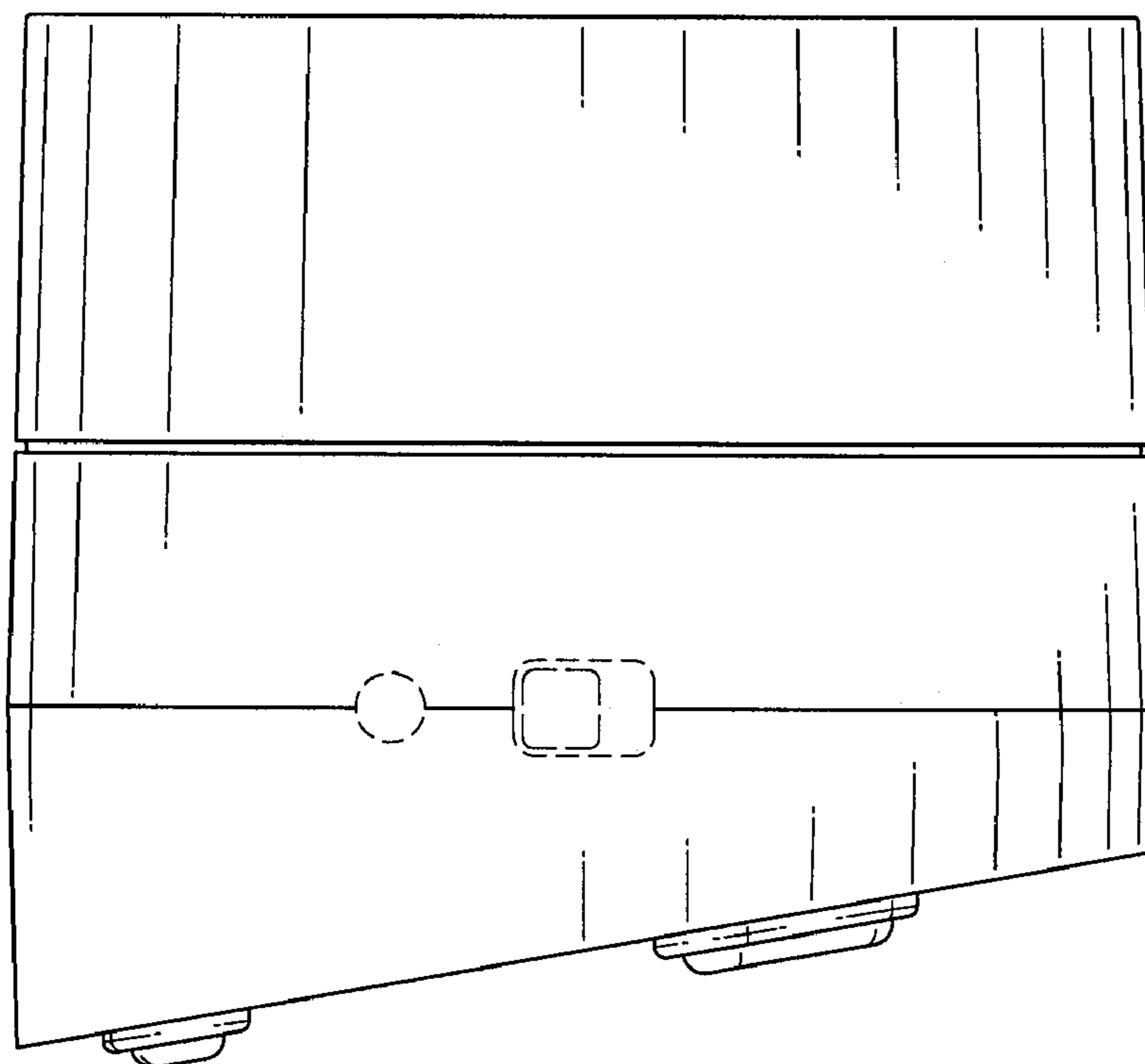


FIG. 11

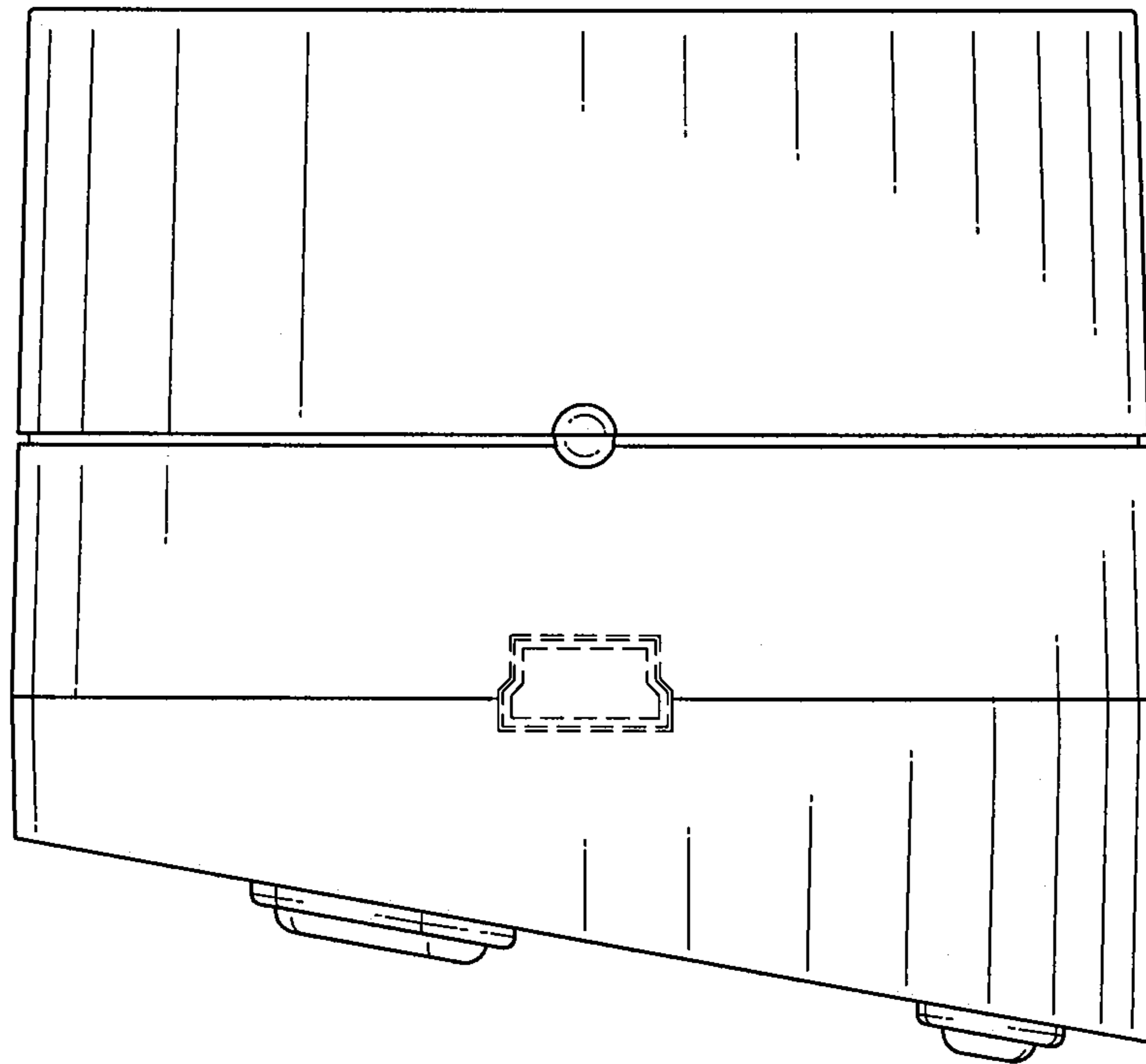


FIG. 12