



US00D610571S

(12) **United States Design Patent**
Jha

(10) **Patent No.:** **US D610,571 S**

(45) **Date of Patent:** **** Feb. 23, 2010**

(54) **ENTERTAINMENT SYSTEM LOUDSPEAKER**

(75) Inventor: **Hemant Jha**, Chicago, IL (US)

(73) Assignees: **Sony Corporation**, Tokyo (JP); **Sony Electronics Inc.**, Park Ridge, NJ (US)

(**) Term: **14 Years**

(21) Appl. No.: **29/276,214**

(22) Filed: **Jan. 18, 2007**

(51) **LOC (9) Cl.** **14-01**

(52) **U.S. Cl.** **D14/216**

(58) **Field of Classification Search** D14/204,
D14/210–214, 172; 181/143–144, 147–148,
181/150–153, 157, 198–199; 381/300–303,
381/306, 332–333, 336, 345, 361–364, 386–388
See application file for complete search history.

(56) **References Cited**

U.S. PATENT DOCUMENTS

D222,072	S *	9/1971	Levitt	D14/211
4,006,308	A	2/1977	Pongsen		
4,357,490	A	11/1982	Dickey		
5,436,976	A	7/1995	Dougherty		
5,812,685	A	9/1998	Fujita et al.		
6,069,962	A	5/2000	Miller		
D430,142	S *	8/2000	Kuo et al.	D14/216
D466,887	S *	12/2002	Lewis	D14/216
D467,238	S *	12/2002	Hlas et al.	D14/216
D467,574	S *	12/2002	Suzuki et al.	D14/216
6,498,857	B1	12/2002	Sibbald		
D514,548	S *	2/2006	Chan	D14/216

FOREIGN PATENT DOCUMENTS

RU 2085 054 C1 7/1997

OTHER PUBLICATIONS

Wolcott Audio, Omnisphere Speaker System, Product Description; http://www.wolcottaudio.com/WA_omni.htm; 4 pages; undated; downloaded on Sep. 19, 2006.

Yamaha YSP-1-Digital Sound Projector; New Product Bulletin, 2 pages, (undated).

* cited by examiner

Primary Examiner—Nanda Bondade

(74) *Attorney, Agent, or Firm*—Fitch, Even, Tabin & Flannery

(57) **CLAIM**

The ornamental design for an entertainment system loudspeaker, substantially as shown and described.

DESCRIPTION

FIG. 1 is a front elevation view of the entertainment system loudspeaker showing my new design;

FIG. 2 is a rear elevation view of the loudspeaker of FIG. 1;

FIG. 3 is a top plan view of the loudspeaker of FIG. 1;

FIG. 4 is a bottom plan view of the loudspeaker of FIG. 1;

FIG. 5 is a left side elevation view of the loudspeaker of FIG. 1 with the right side elevation view being a mirror image thereof;

FIG. 6 is a front elevation view of a second embodiment of the entertainment system loudspeaker showing my new design;

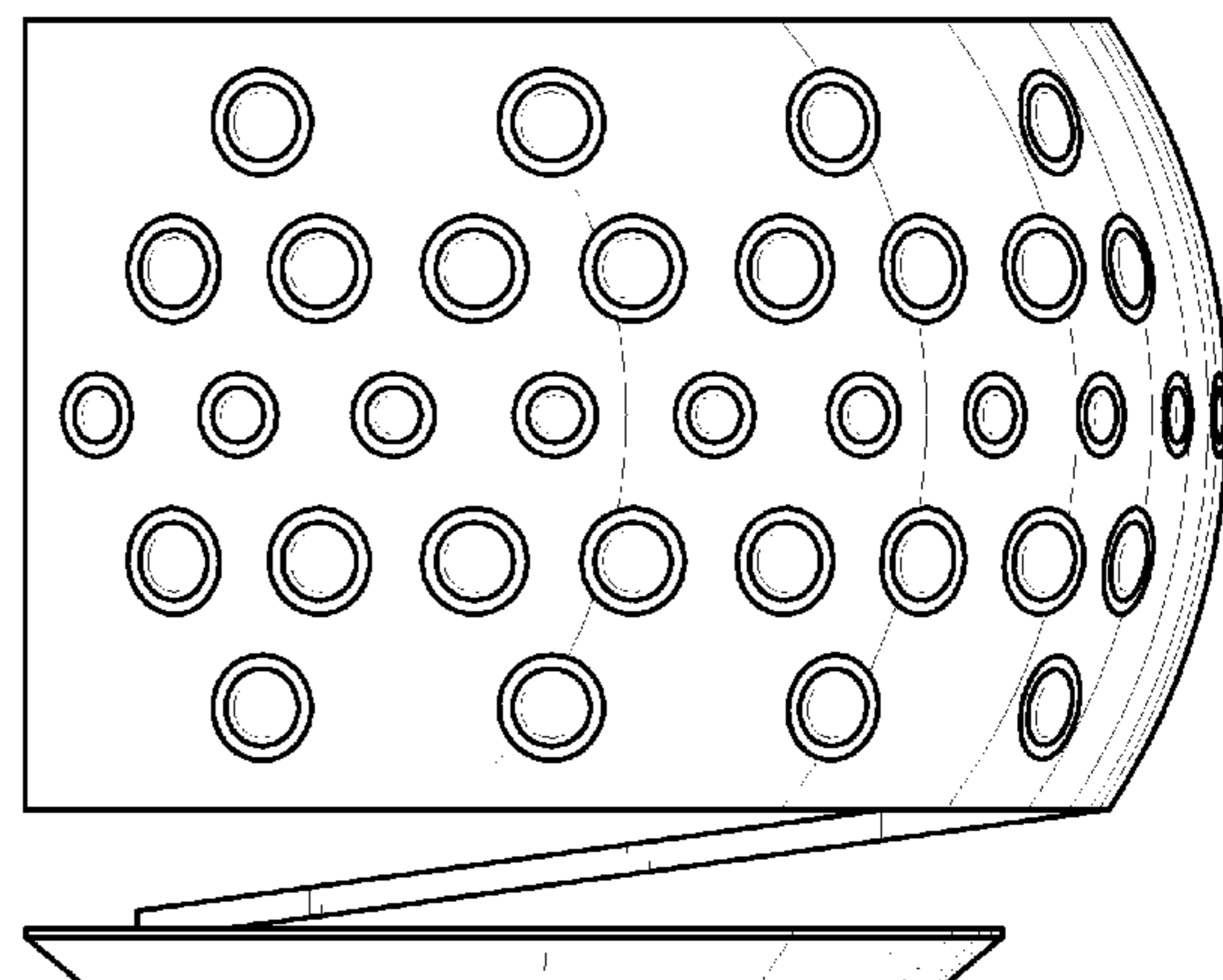
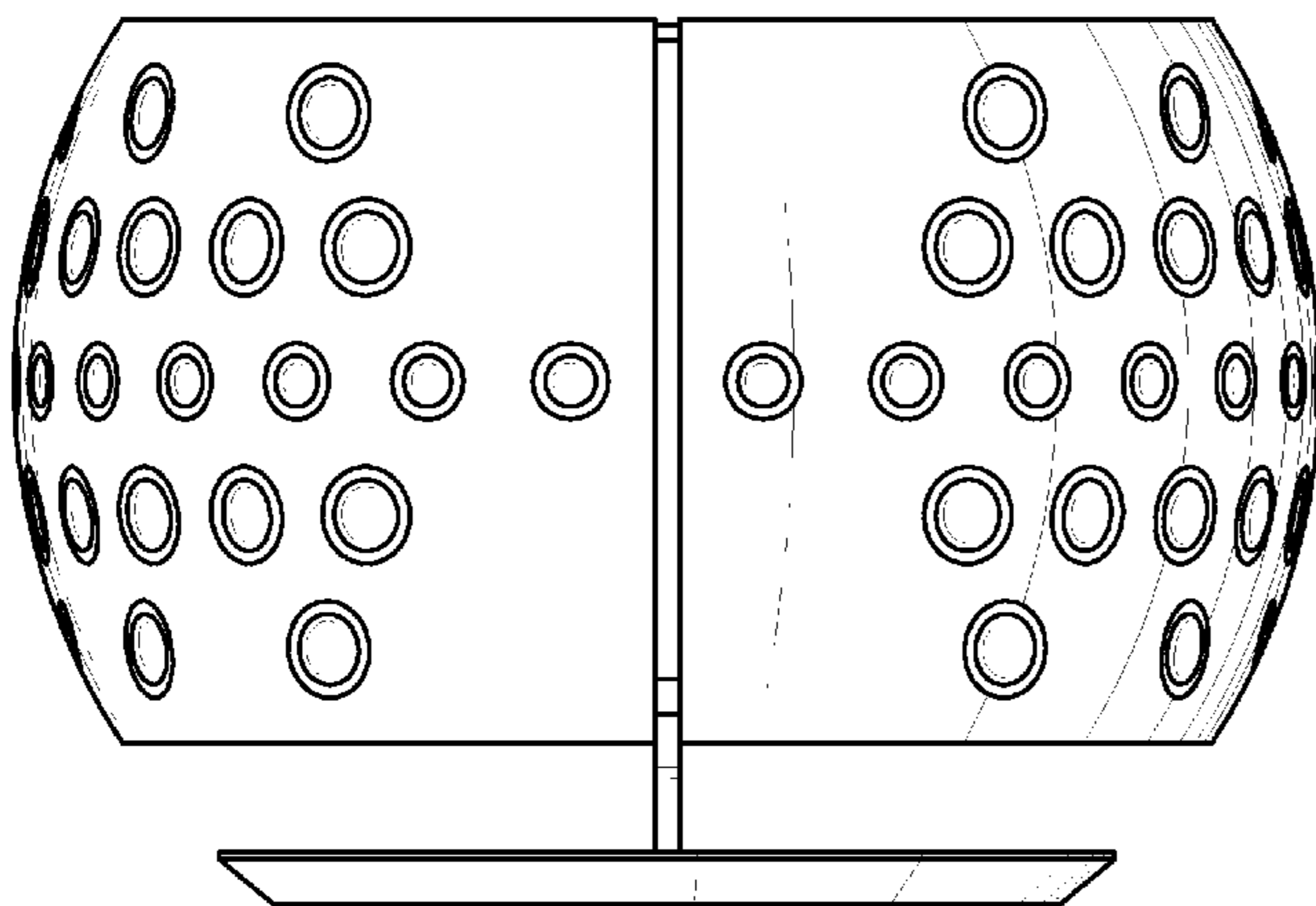
FIG. 7 is a rear elevation view of the loudspeaker of FIG. 6;

FIG. 8 is a top plan view of the loudspeaker of FIG. 6;

FIG. 9 is a bottom plan view of the loudspeaker of FIG. 6; and,

FIG. 10 is a left side elevation view of the loudspeaker of FIG. 6 with the right side elevation view being a mirror image thereof.

1 Claim, 6 Drawing Sheets



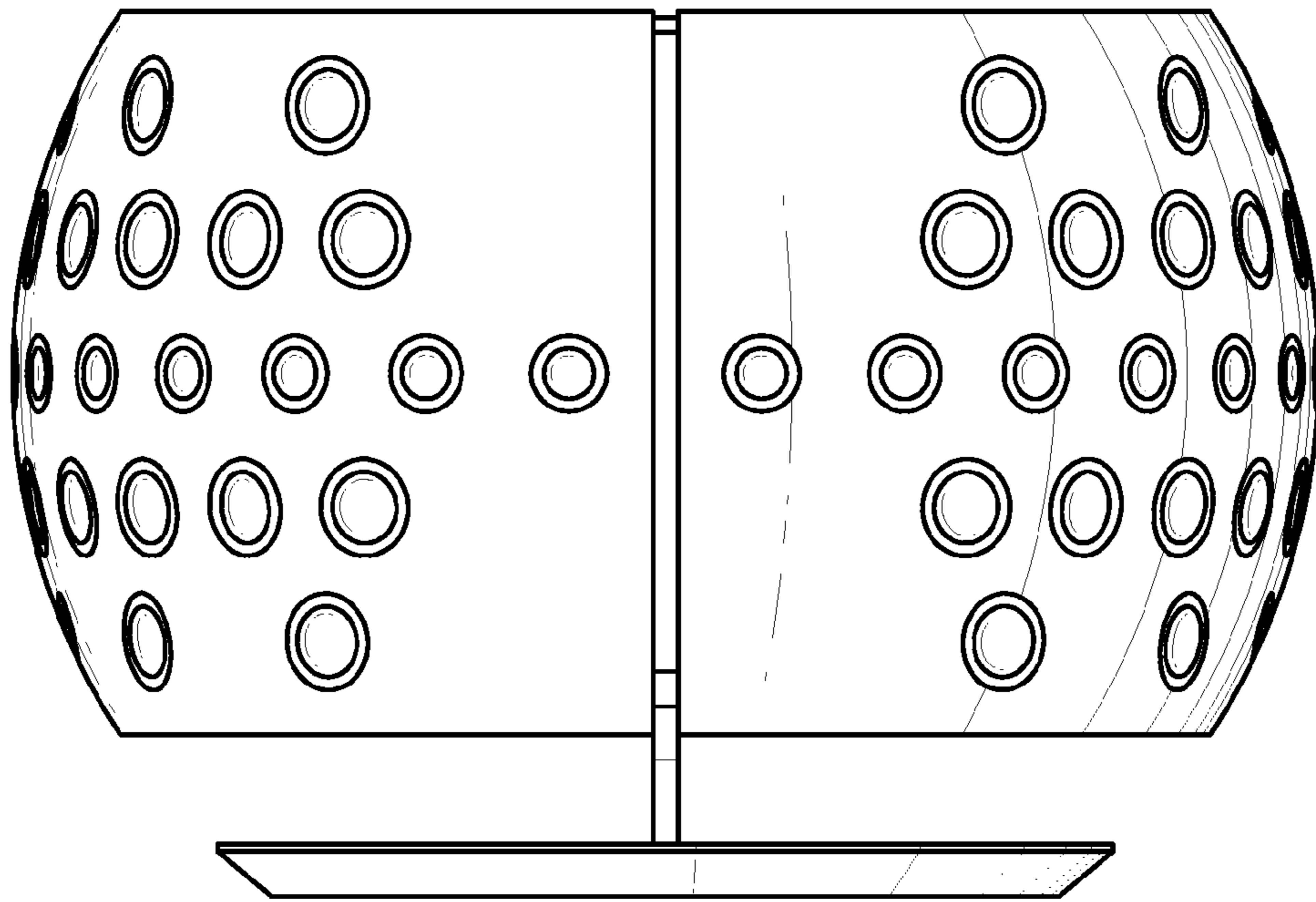


FIG. 1

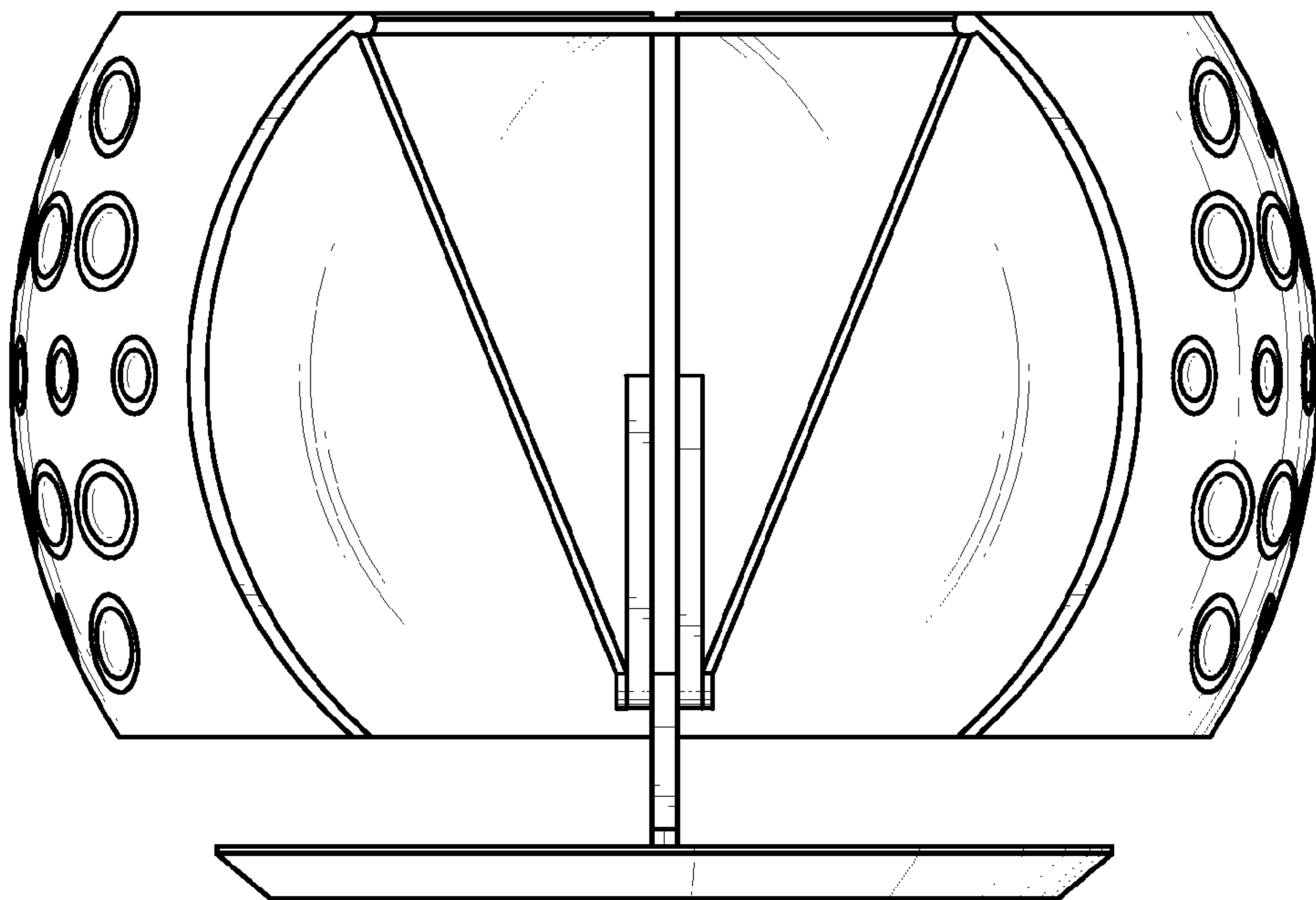


FIG. 2

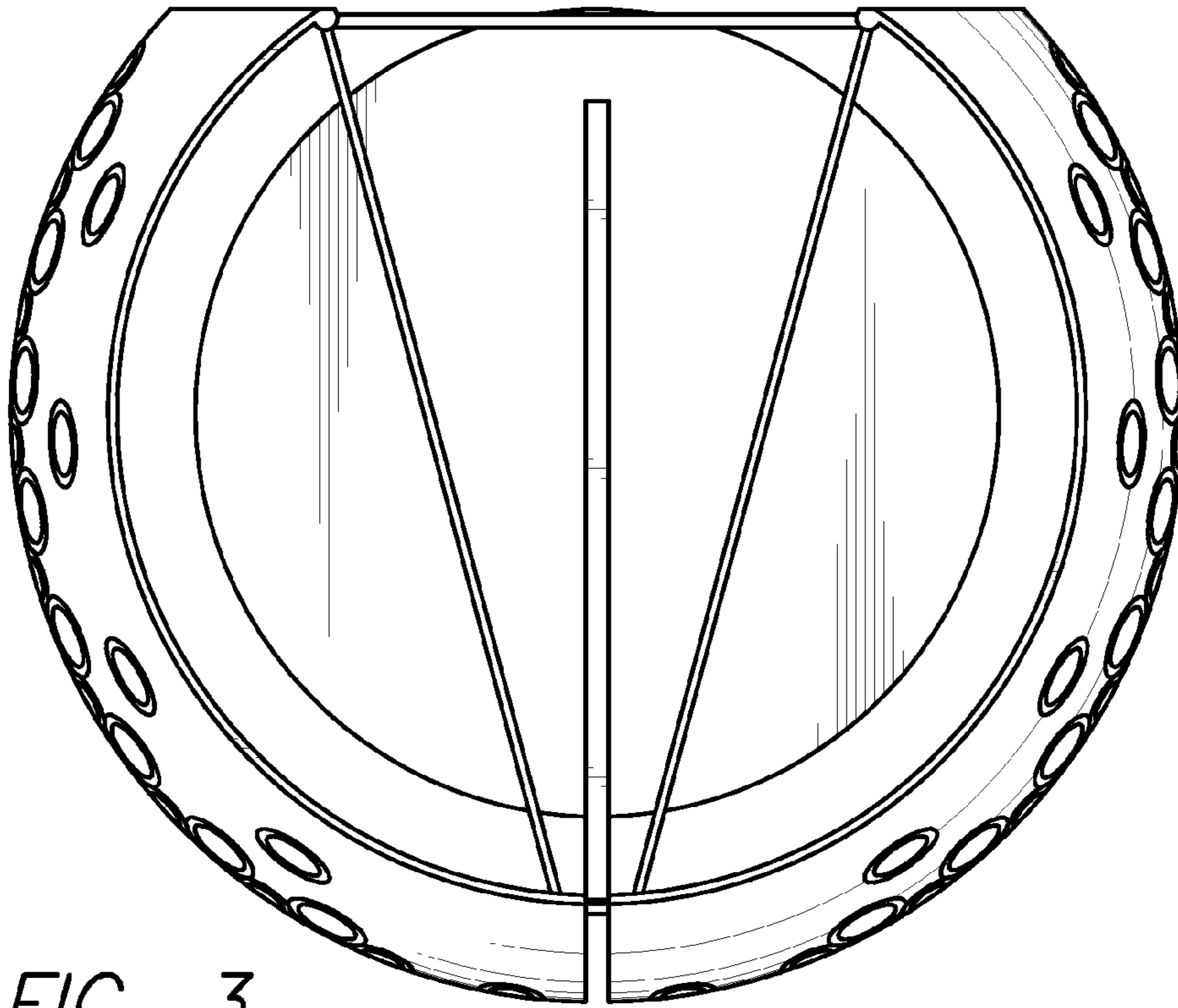


FIG. 3

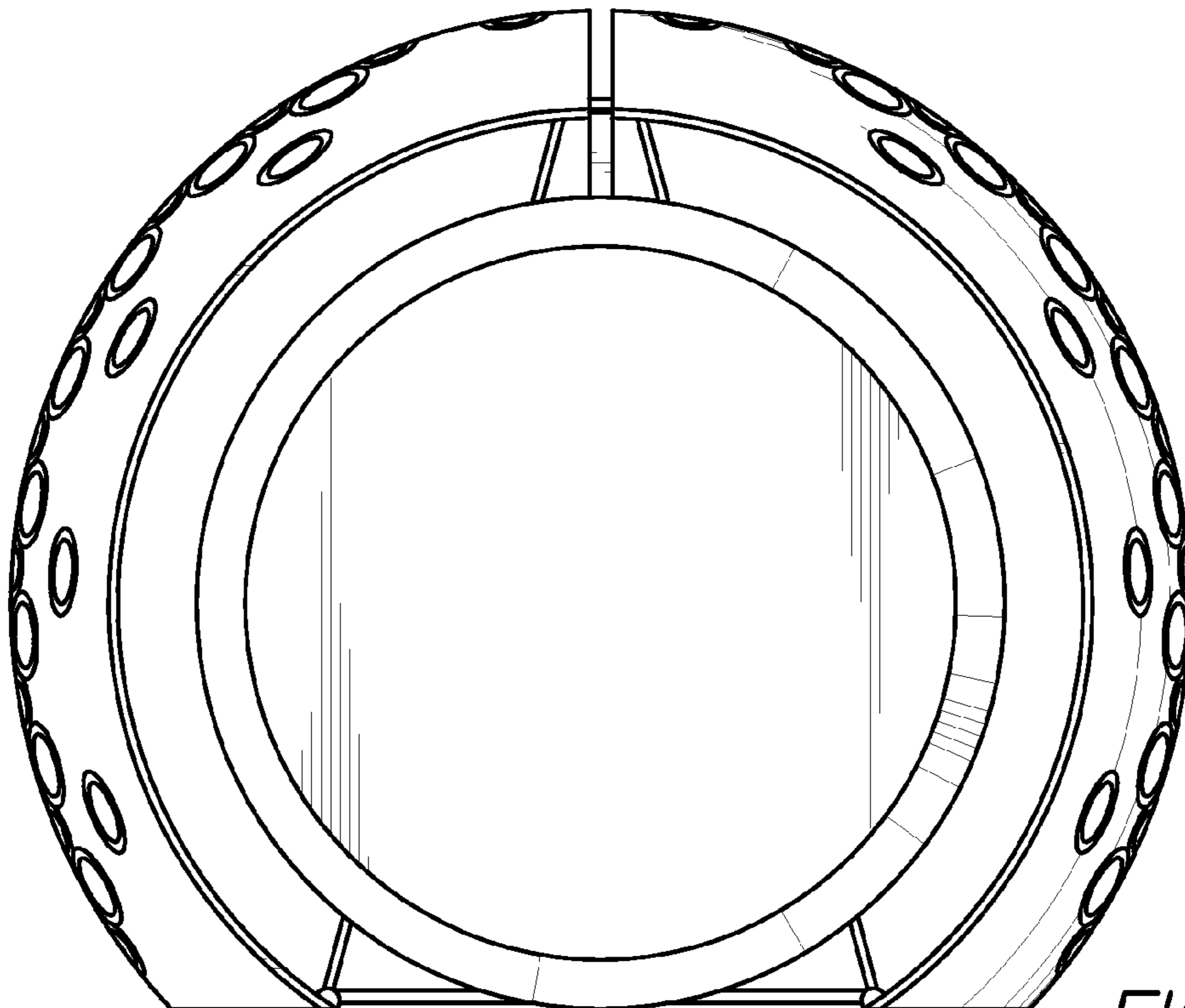


FIG. 4

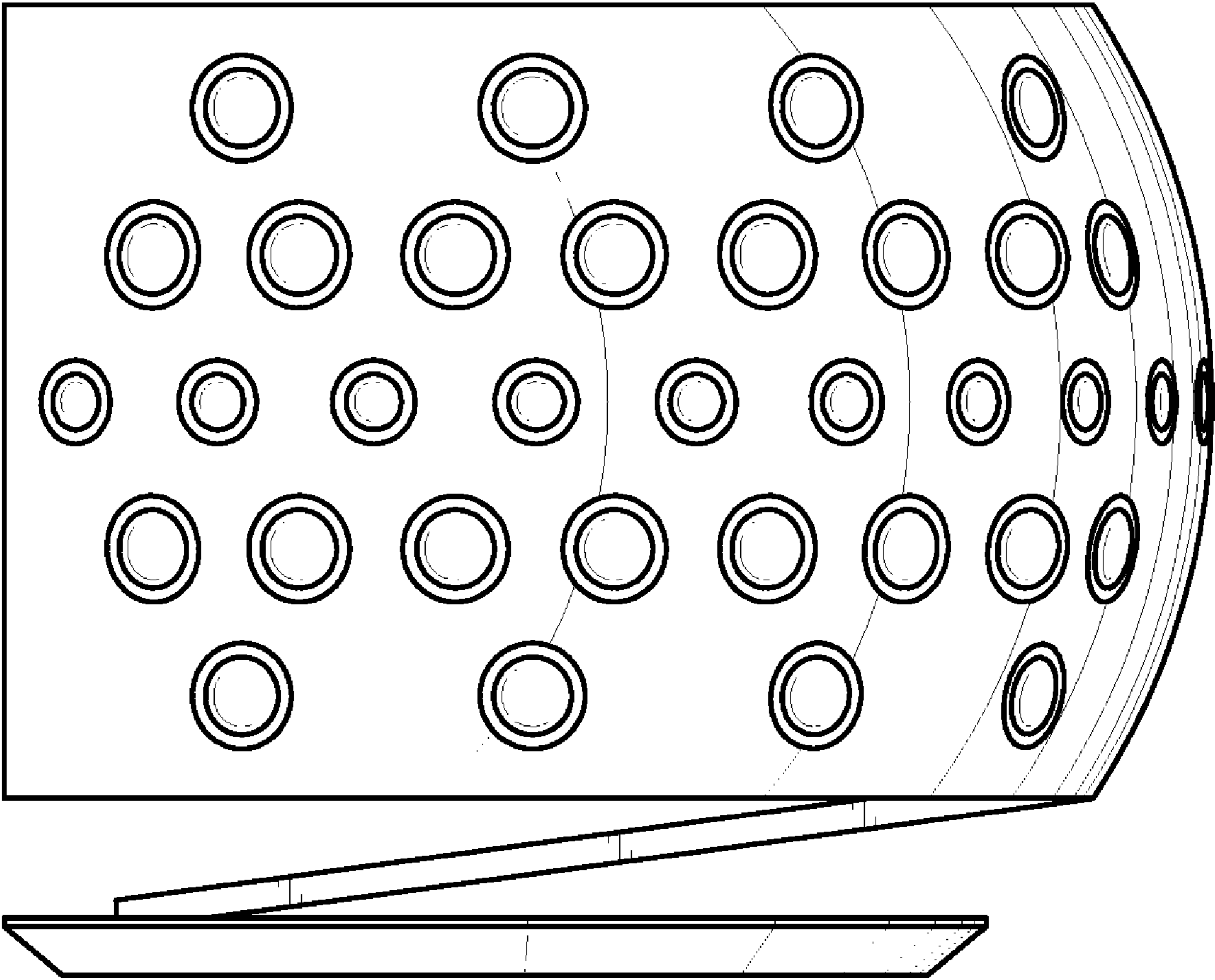


FIG. 5

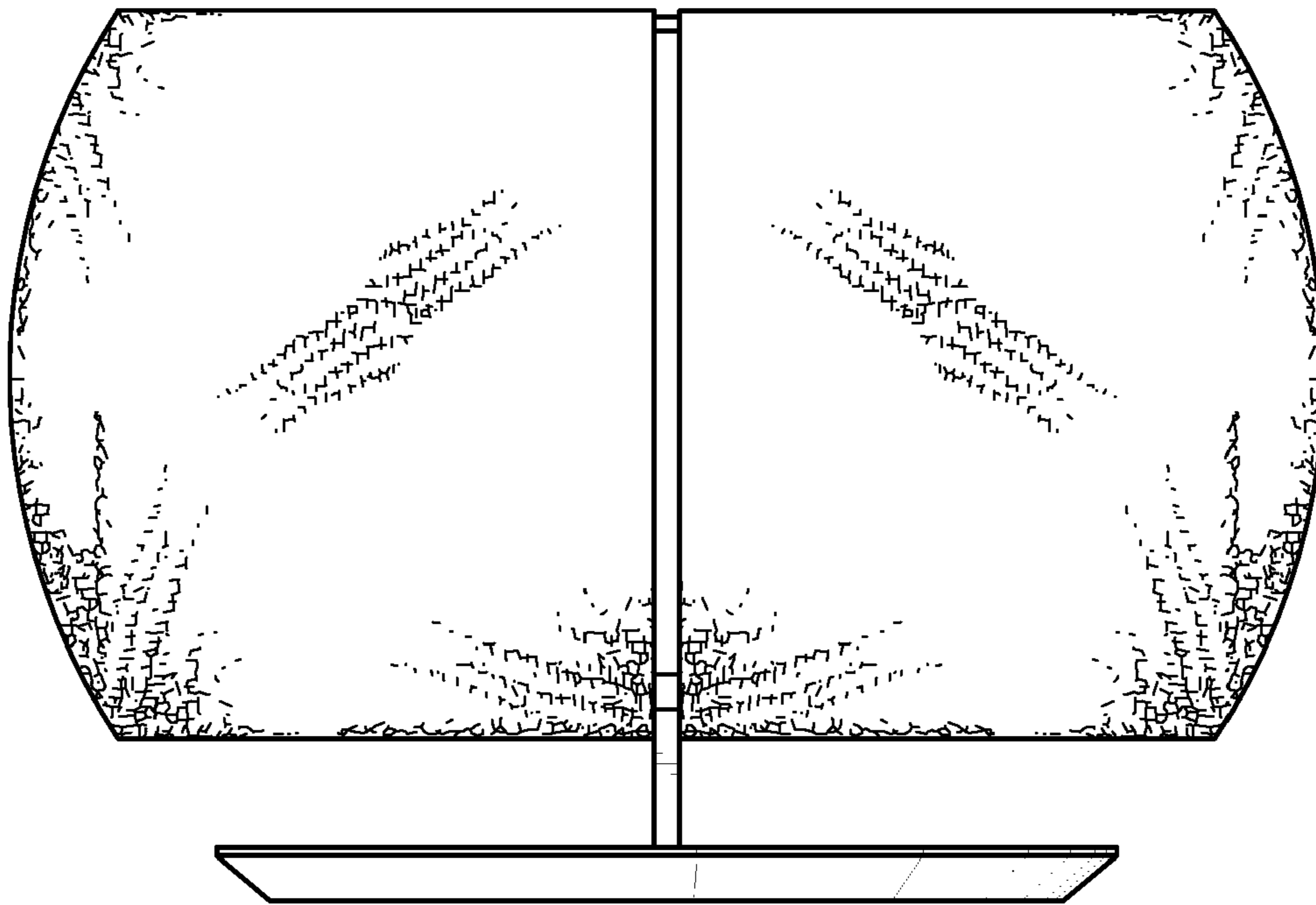


FIG. 6

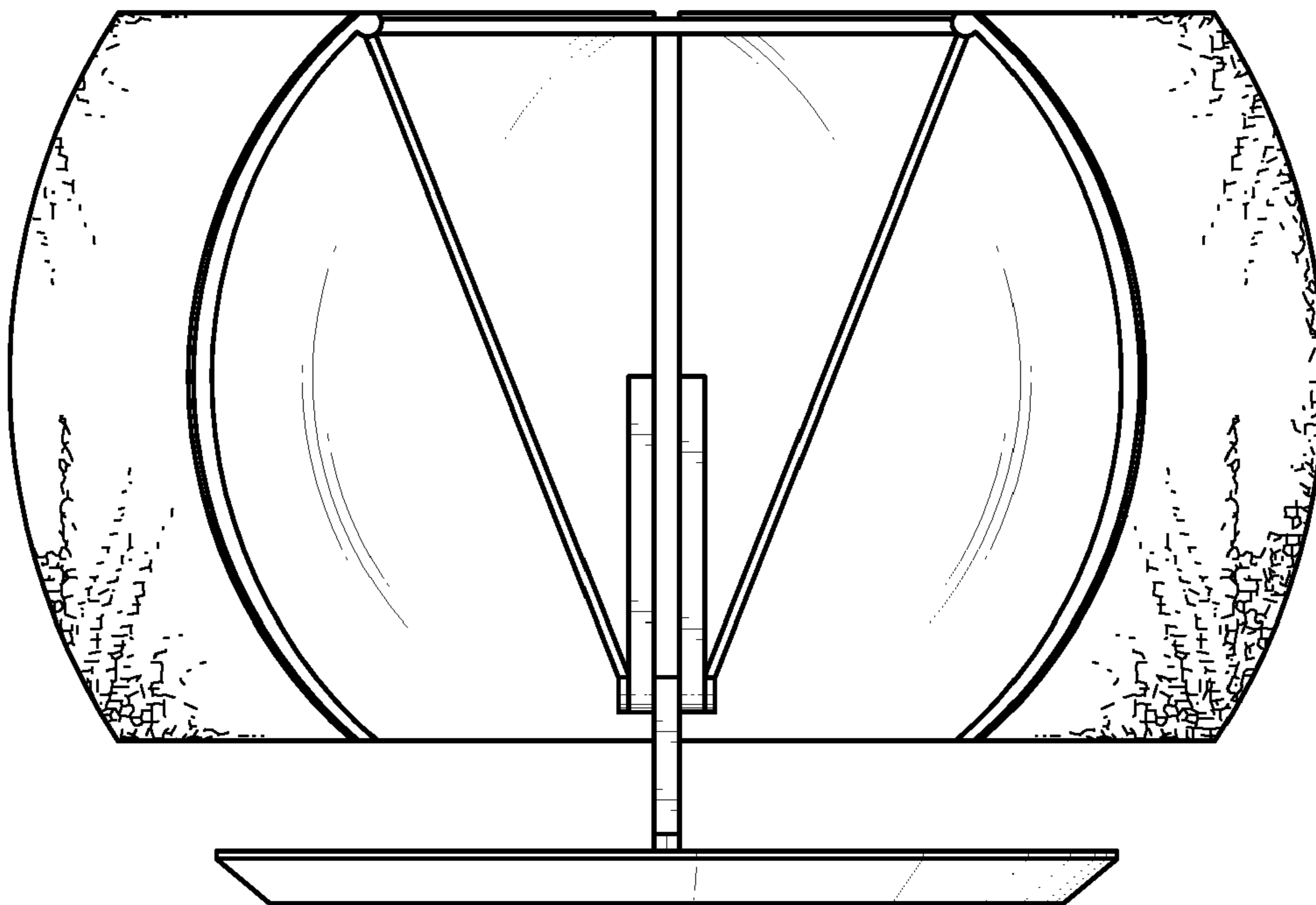


FIG. 7

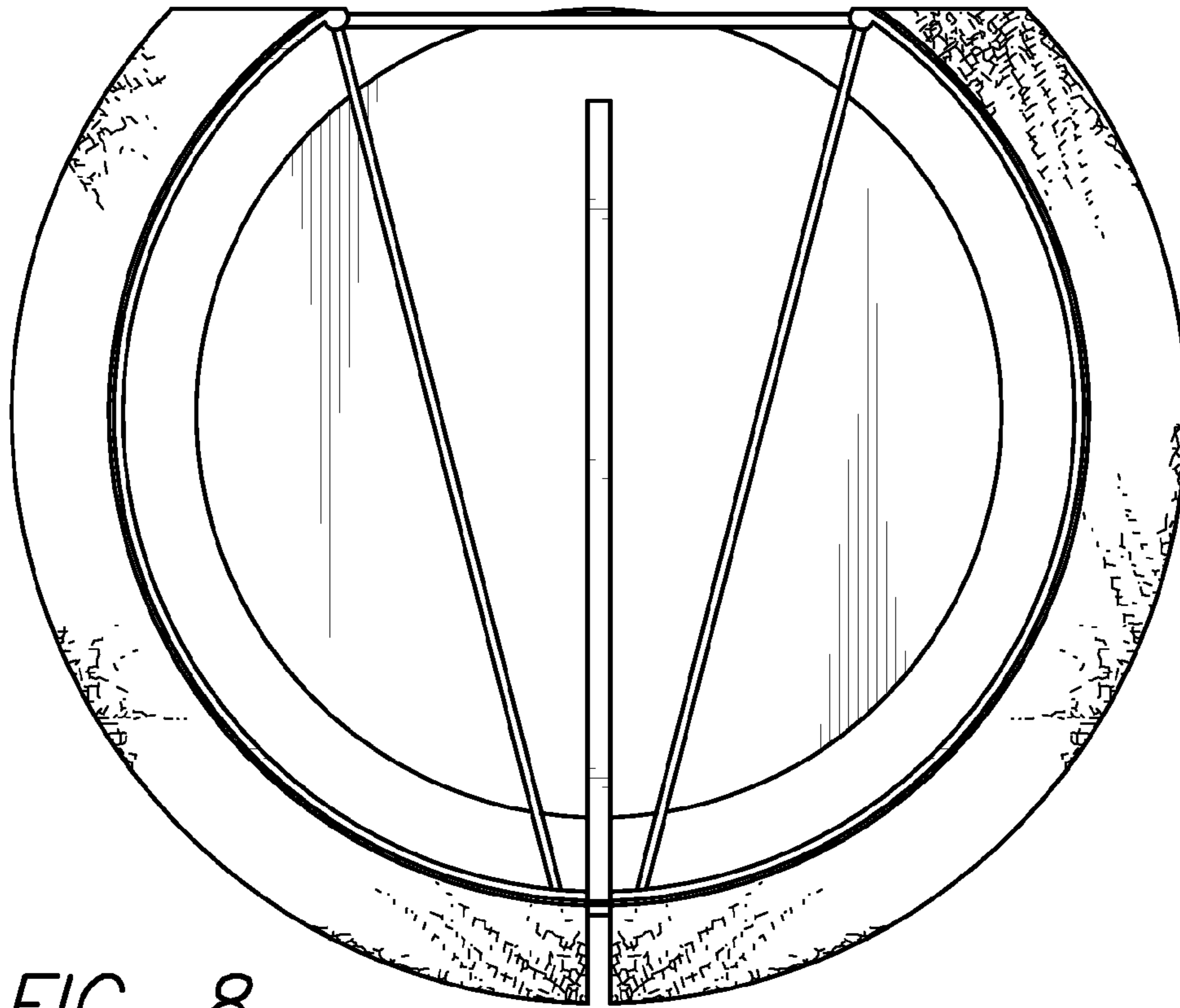


FIG. 8

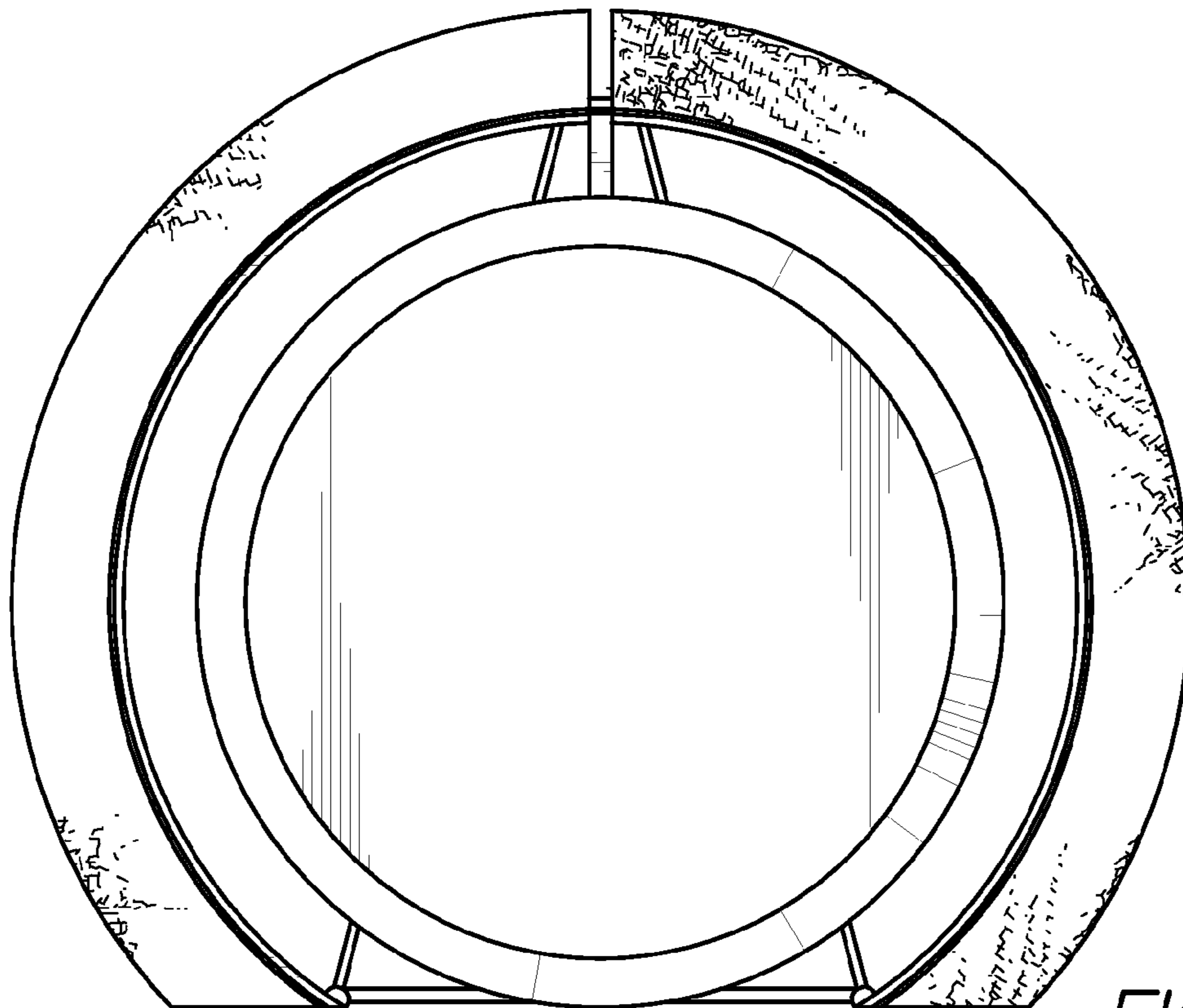


FIG. 9

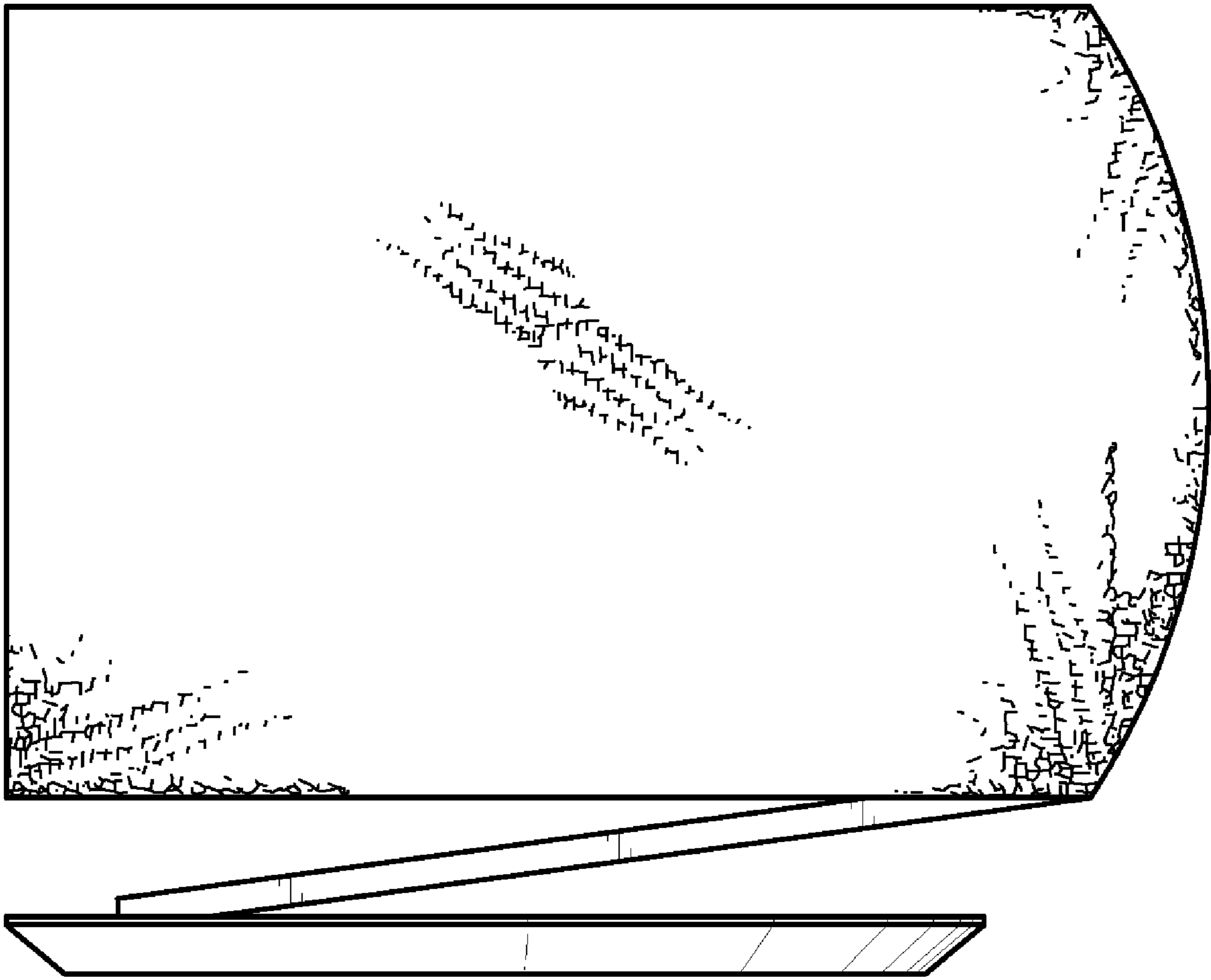


FIG. 10