



US00D610570S

(12) **United States Design Patent**
Upham et al.

(10) **Patent No.:** **US D610,570 S**
(45) **Date of Patent:** **** Feb. 23, 2010**

(54) **SING-ALONG STAND**

(75) Inventors: **Adriana G. Upham**, Pembroke Pines, FL (US); **Joshua K. Goldstein**, Plantation, FL (US); **Kuni Goda**, Sunrise, FL (US); **Raul Febles**, Weston, FL (US); **Jayson Pegler**, Moorpark, CA (US); **Tom Kwon**, San Pedro, CA (US); **Matthew Paprocki**, Los Angeles, CA (US)

(73) Assignee: **Imation Corp.**, Oakdale, MN (US)

(**) Term: **14 Years**

(21) Appl. No.: **29/313,624**

(22) Filed: **Jan. 27, 2009**

Related U.S. Application Data

(63) Continuation-in-part of application No. 12/283,568, filed on Sep. 12, 2008.

(51) **LOC (9) Cl.** **14-01**

(52) **U.S. Cl.** **D14/209.1**

(58) **Field of Classification Search** D14/204, D14/209.1, 210–217, 172, 224, 227, 229, D14/206; 181/143–144, 147–148, 150–153, 181/157, 198–199; 381/300–303, 306, 332–333, 381/336, 345, 361–364, 386–388

See application file for complete search history.

(56) **References Cited**

U.S. PATENT DOCUMENTS

D417,872 S * 12/1999 Monson D14/211
D460,064 S * 7/2002 Solland D14/207

D467,241 S * 12/2002 Solland D14/224
7,134,876 B2 11/2006 Hou
7,327,560 B1 2/2008 Tabasso et al.
2007/0072557 A1 3/2007 Chiu
2007/0175313 A1 8/2007 Vandervliet

OTHER PUBLICATIONS

“Tech Talk for Families,” Review: iPlay Music Sing-A-Song Microphone, http://www.techtalkforfamilies.com/review/toys/review_iplay_music_sing_a_song_microph, Jul. 22, 2008, 3 pages.

* cited by examiner

Primary Examiner—Nanda Bondade

(74) *Attorney, Agent, or Firm*—Shumaker & Sieffert, P.A.

(57) **CLAIM**

The ornamental design for a sing-along stand, as shown and described.

DESCRIPTION

FIG. 1 is a perspective view of a sing-along stand illustrating the new design;

FIG. 2 is an enlarged front view thereof;

FIG. 3 is a rear view thereof;

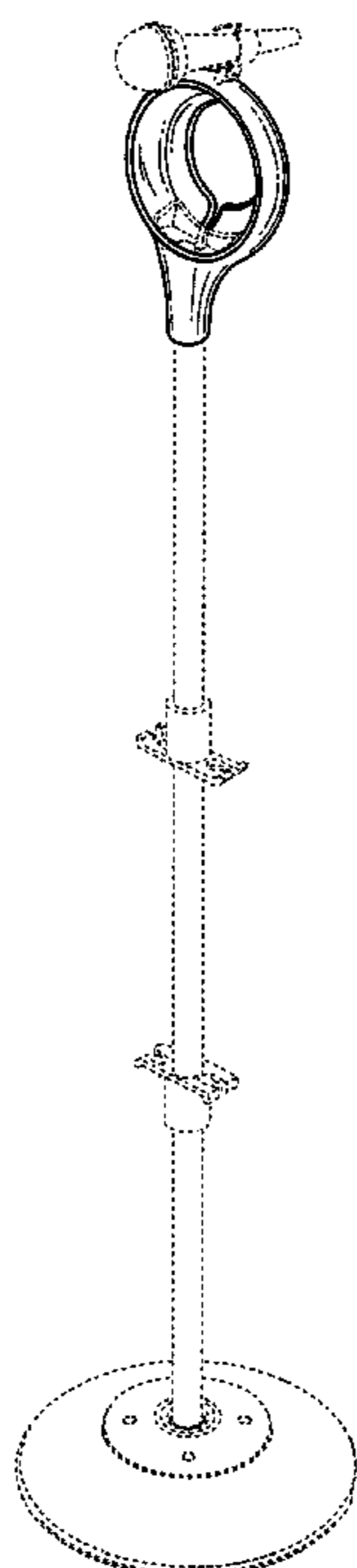
FIG. 4 is a right side view thereof, the left side view is a mirror image of the right side view;

FIG. 5 is a top plan view thereof; and,

FIG. 6 is a bottom plan view thereof.

The broken line showing on the drawing disclosure is for illustrative purposes only and forms no part of the claimed design.

1 Claim, 5 Drawing Sheets



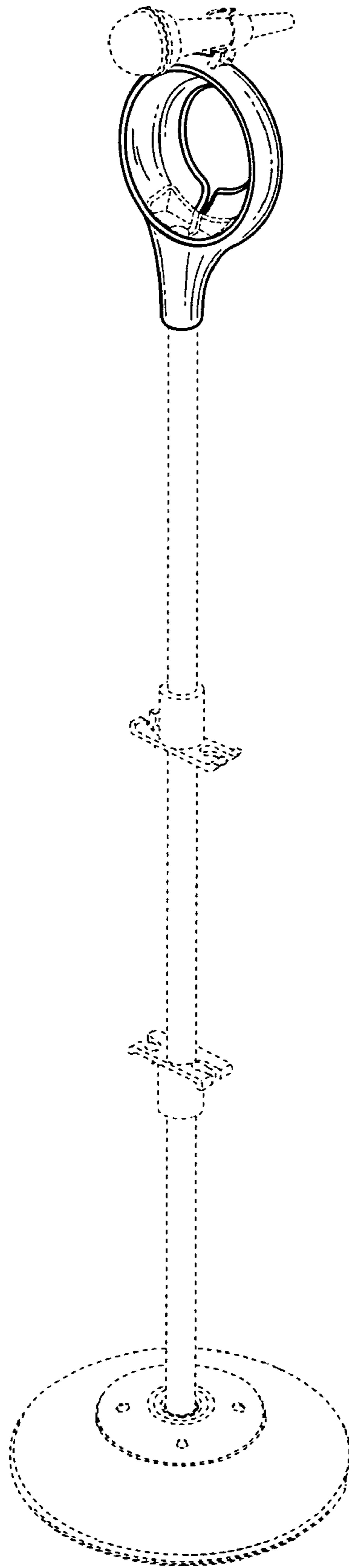


Fig. 1

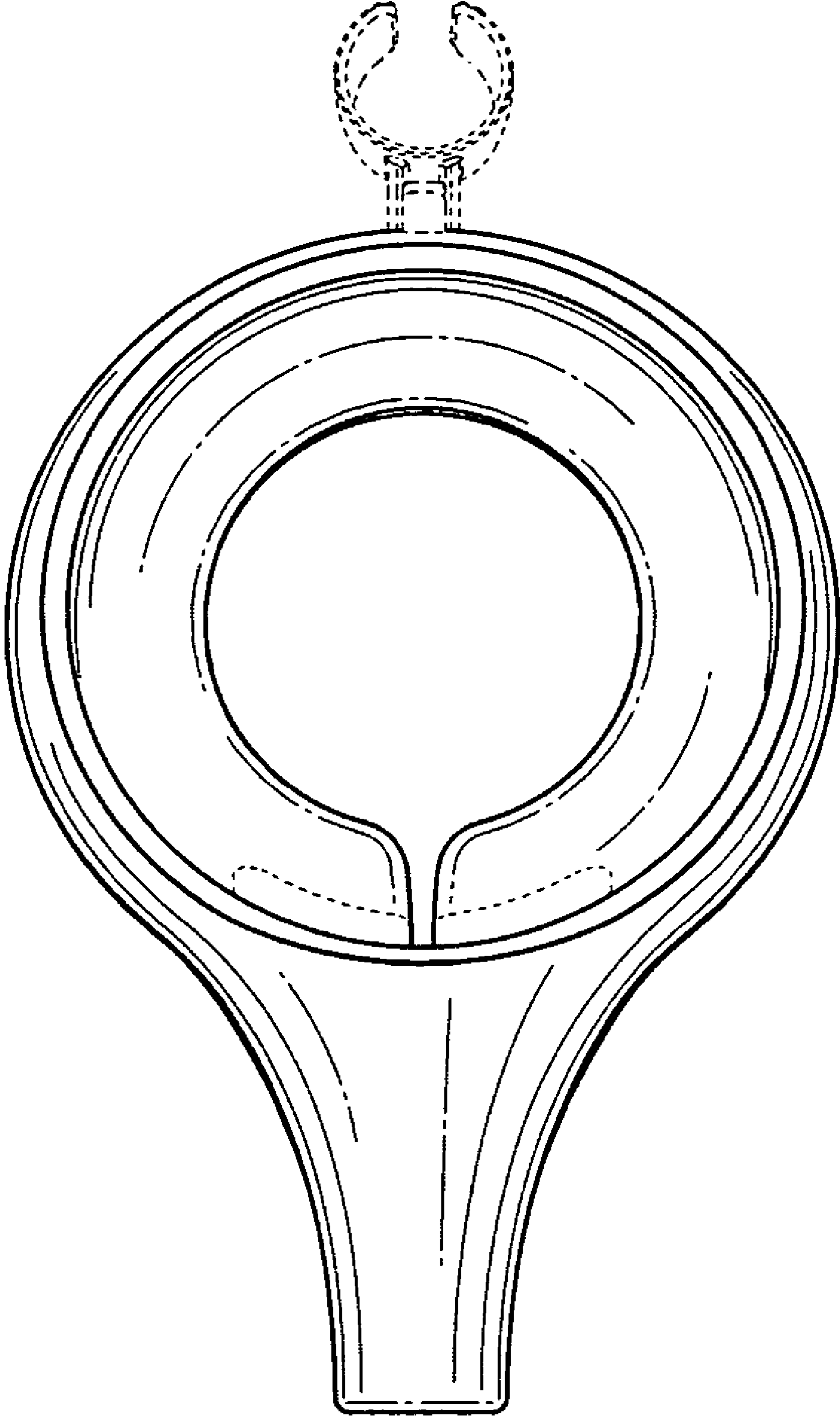


Fig. 2

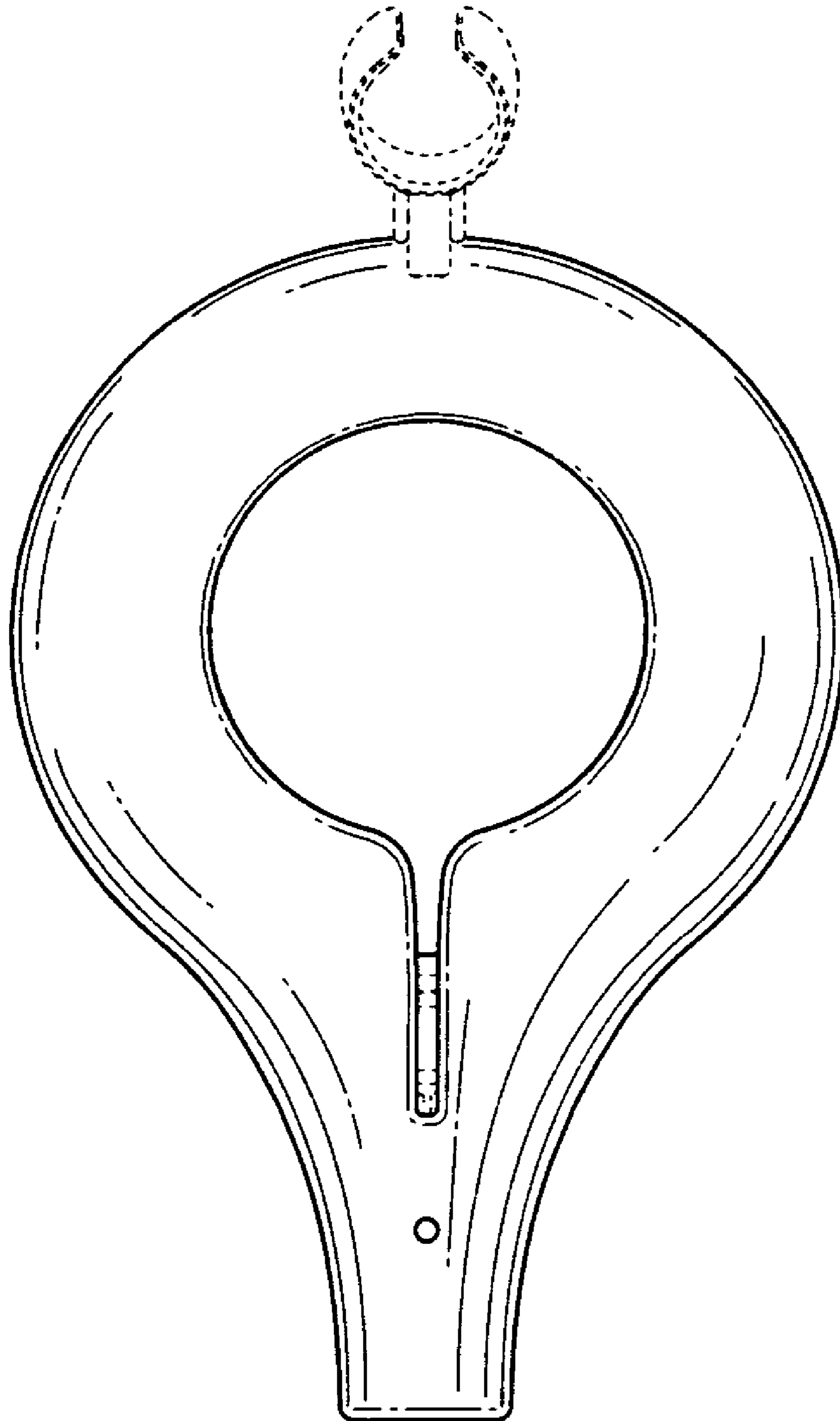


Fig. 3

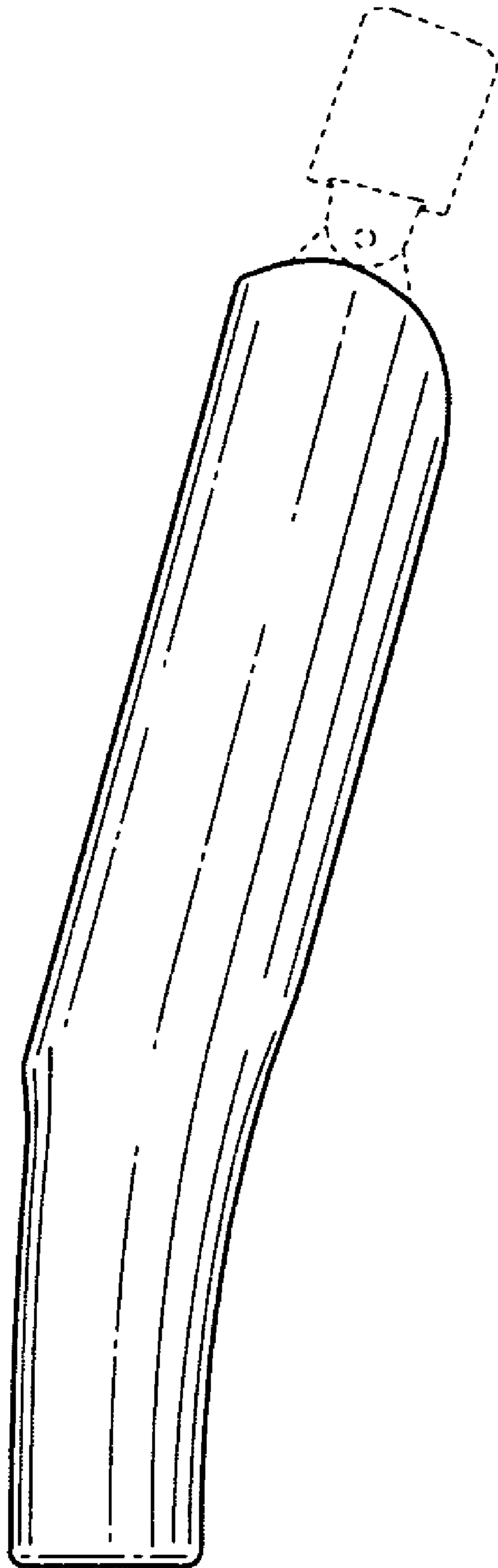


Fig. 4

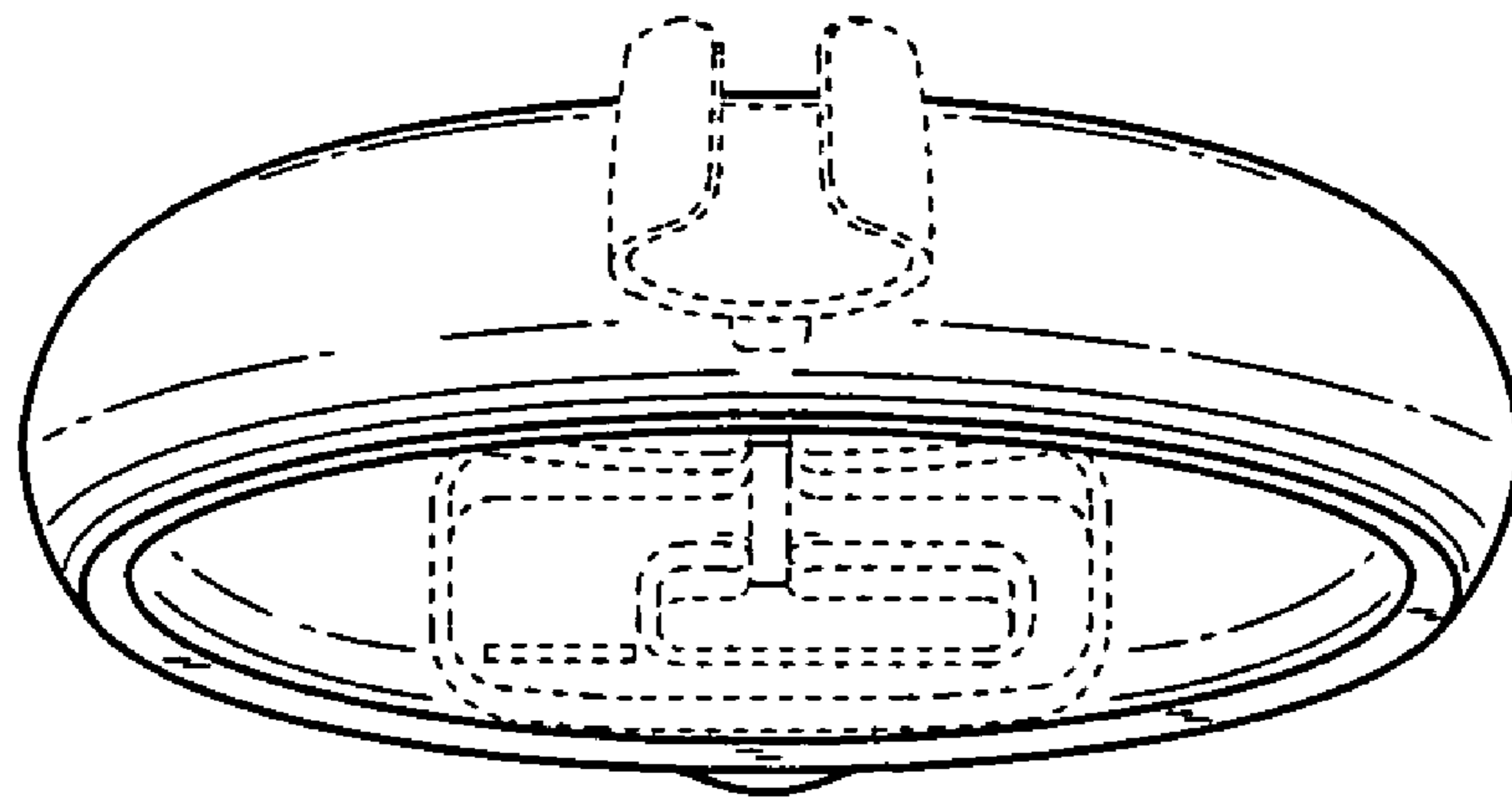


Fig. 5

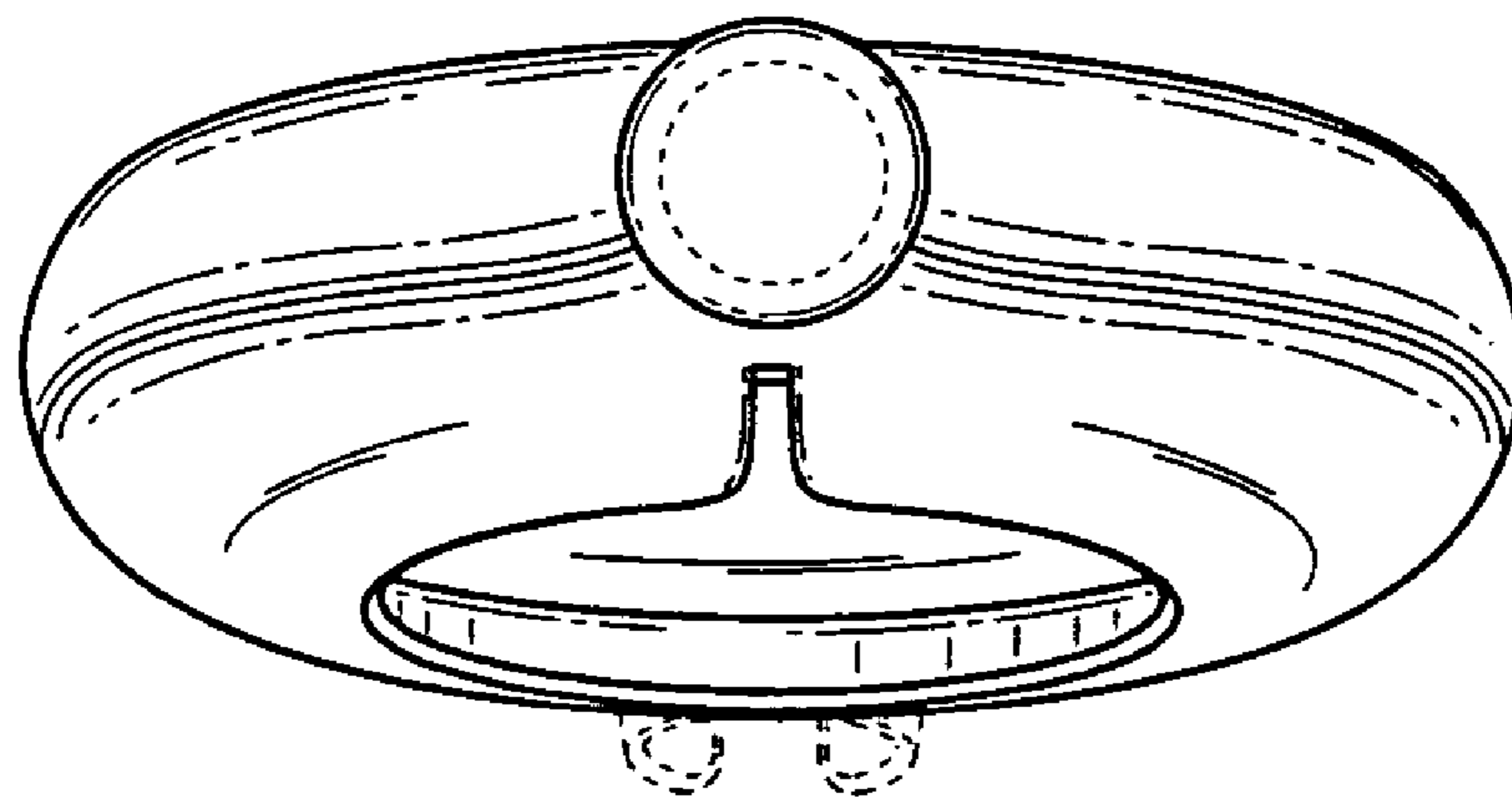


Fig. 6