



US00D610569S

(12) **United States Design Patent**
Fiebel et al.

(10) **Patent No.:** **US D610,569 S**

(45) **Date of Patent:** **** Feb. 23, 2010**

(54) **SPEAKER SYSTEM FOR MEDIA PLAYER**

7,095,867 B2 * 8/2006 Schul et al. 381/334

(75) Inventors: **William Fiebel**, West Orange, NJ (US);
John Moldauer, East Meadow, NY
(US); **Adam Sanchez**, Nutley, NJ (US);
Paul Lacotta, Tenafly, NJ (US)

* cited by examiner

Primary Examiner—Nanda Bondade

(74) *Attorney, Agent, or Firm*—Greenberg Traurig LLP

(73) Assignee: **Plantronics, Inc.**, Santa Cruz, CA (US)

(57) **CLAIM**

(**) Term: **14 Years**

The ornamental design for a speaker system for media player,
as shown and described.

(21) Appl. No.: **29/250,231**

DESCRIPTION

(22) Filed: **Nov. 7, 2006**

FIG. 1 is a perspective view of the speaker system for media
player showing the present design;

(51) **LOC (9) Cl.** **14-01**

FIG. 2 is a front elevation view of the present design;

(52) **U.S. Cl.** **D14/209.1**

FIG. 3 is a rear elevation view of the present design;

(58) **Field of Classification Search** D14/204,
D14/209.1, 210–214, 217, 168, 172; 181/143–144,
181/147–148, 150–153, 157, 198–199; 381/300–303,
381/306, 332–333, 336, 345, 361–364, 386–388
See application file for complete search history.

FIG. 4 is a top view of the present design;

FIG. 5 is a bottom view of the present design;

FIG. 6 is a right elevation view of the present design; and,

FIG. 7 is a left elevation view of the present design.

(56) **References Cited**

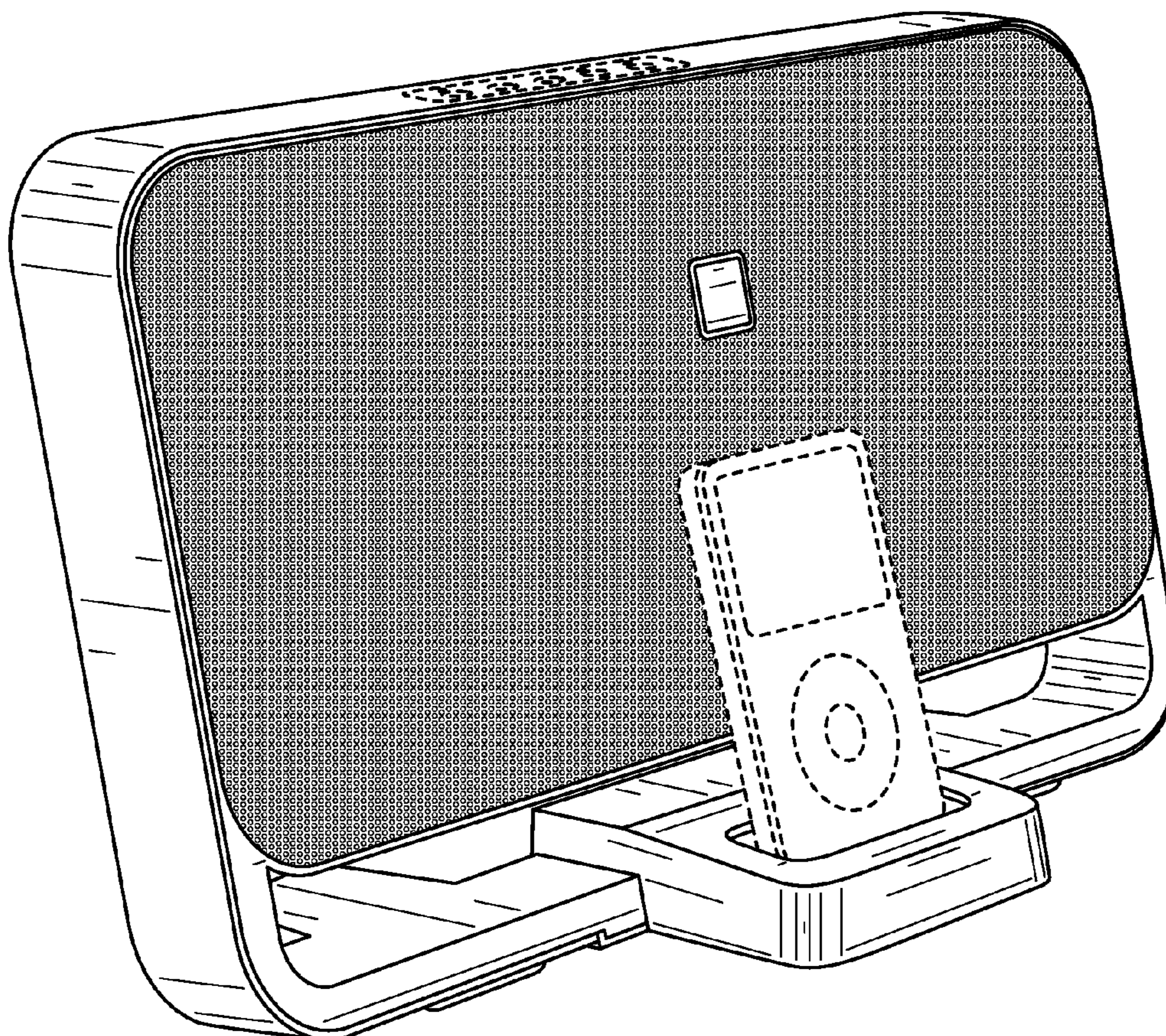
The broken line showing on the drawing disclosure is for
illustrative purposes only and forms no part of the claimed
design.

U.S. PATENT DOCUMENTS

D513,612 S * 1/2006 Harris et al. D14/168

D514,090 S * 1/2006 Carbone et al. D14/209.1

1 Claim, 7 Drawing Sheets



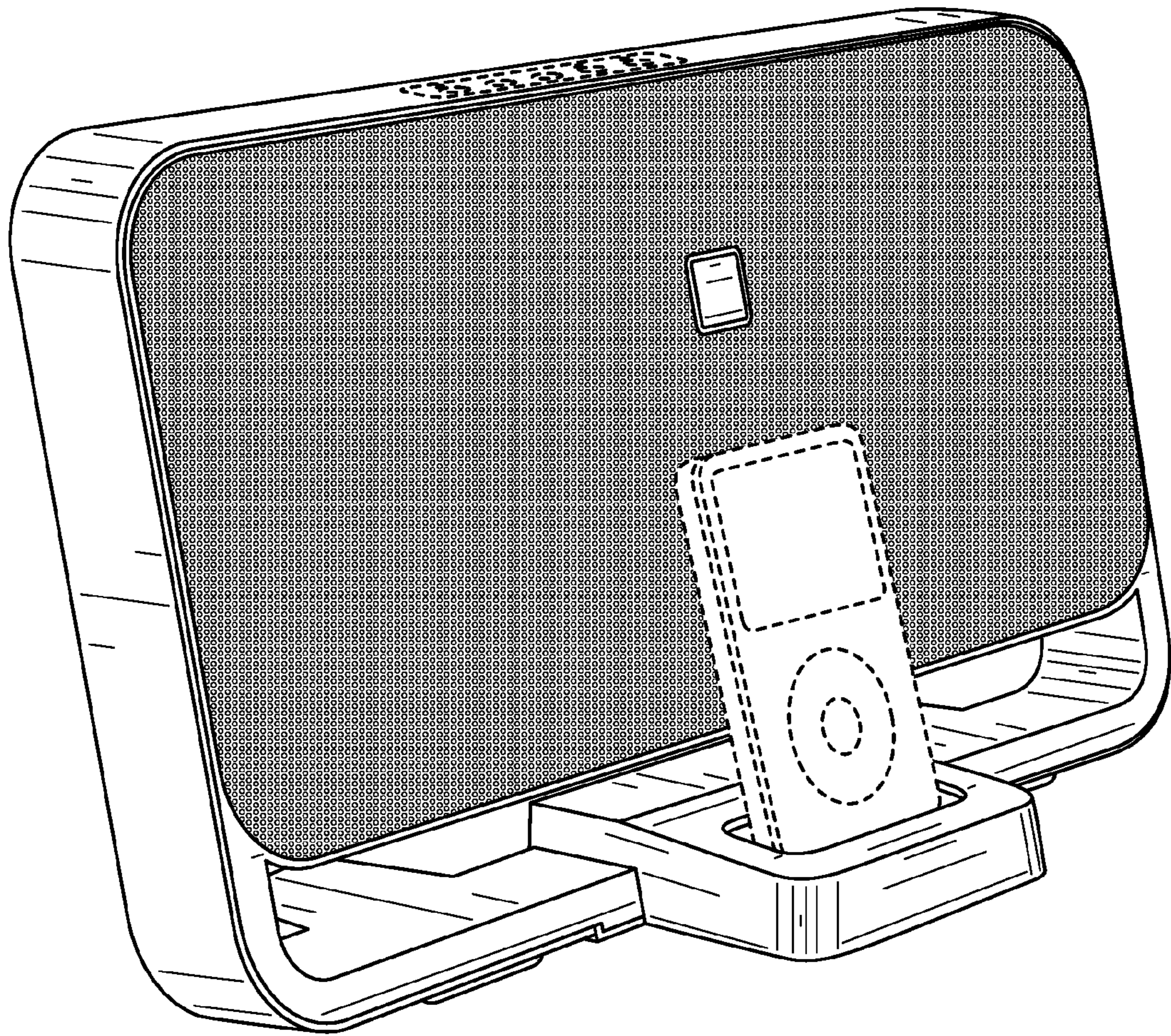


FIG. 1

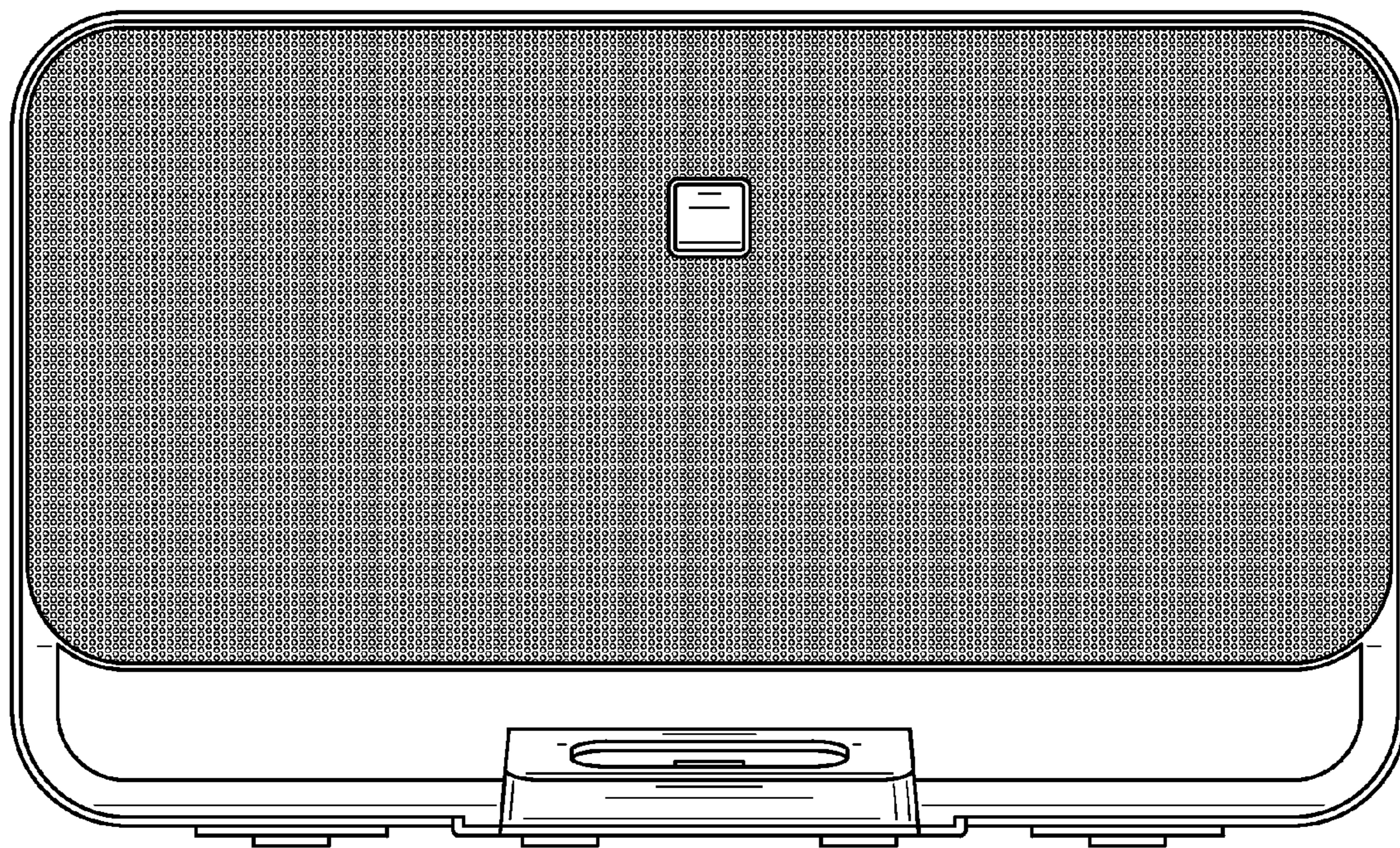


FIG. 2

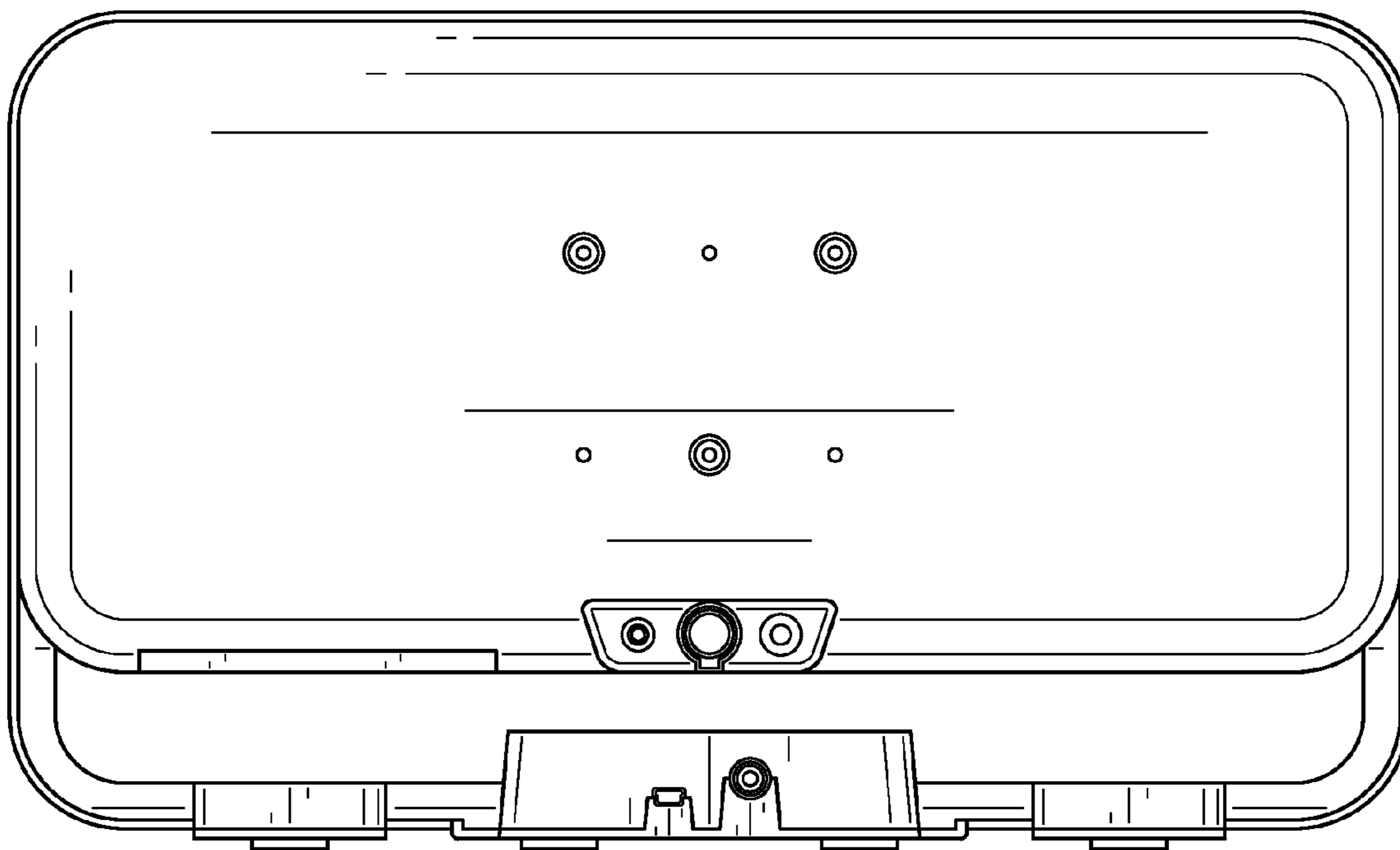


FIG. 3

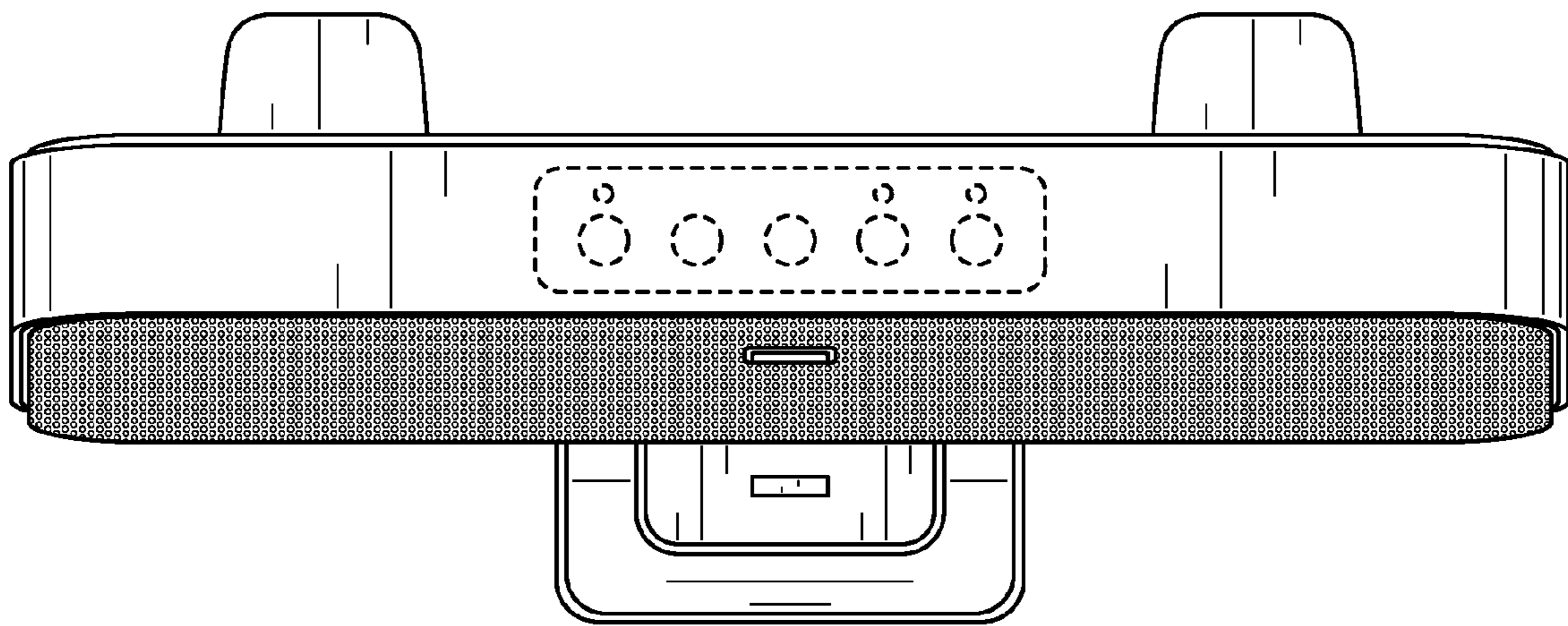


FIG. 4

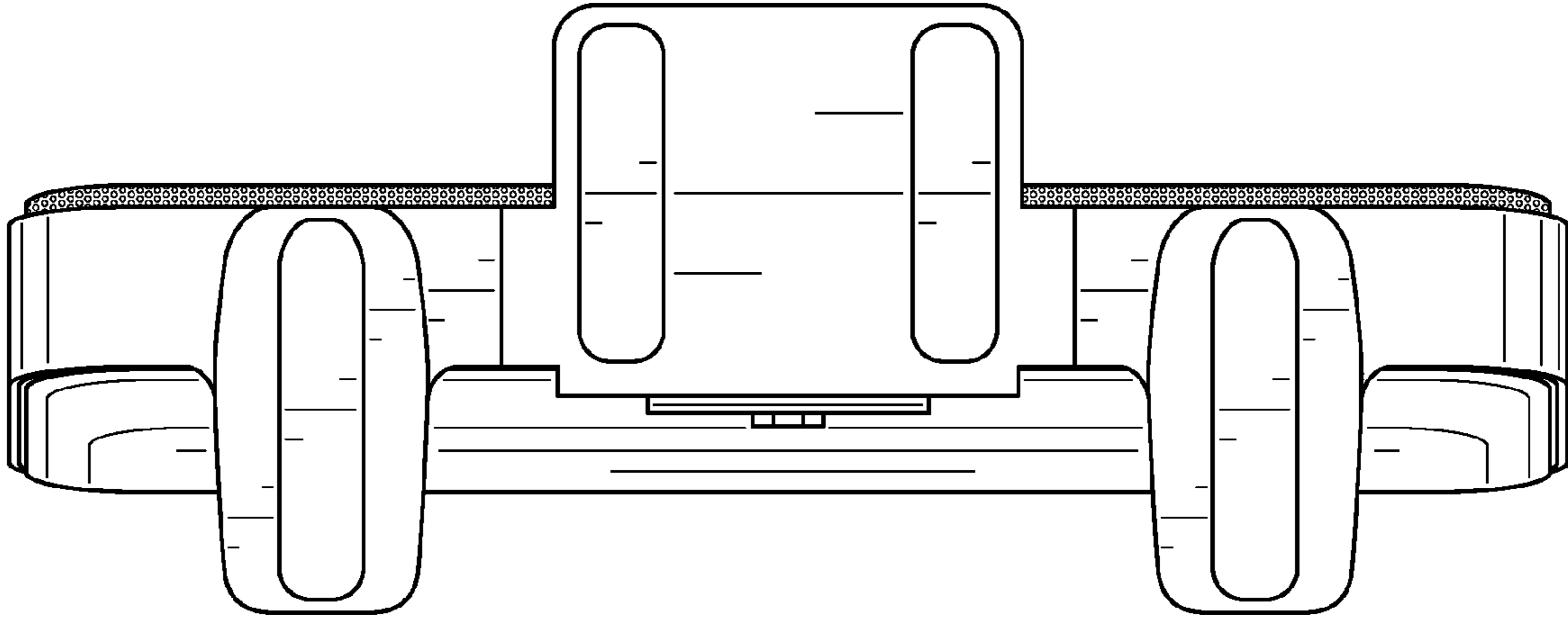


FIG. 5

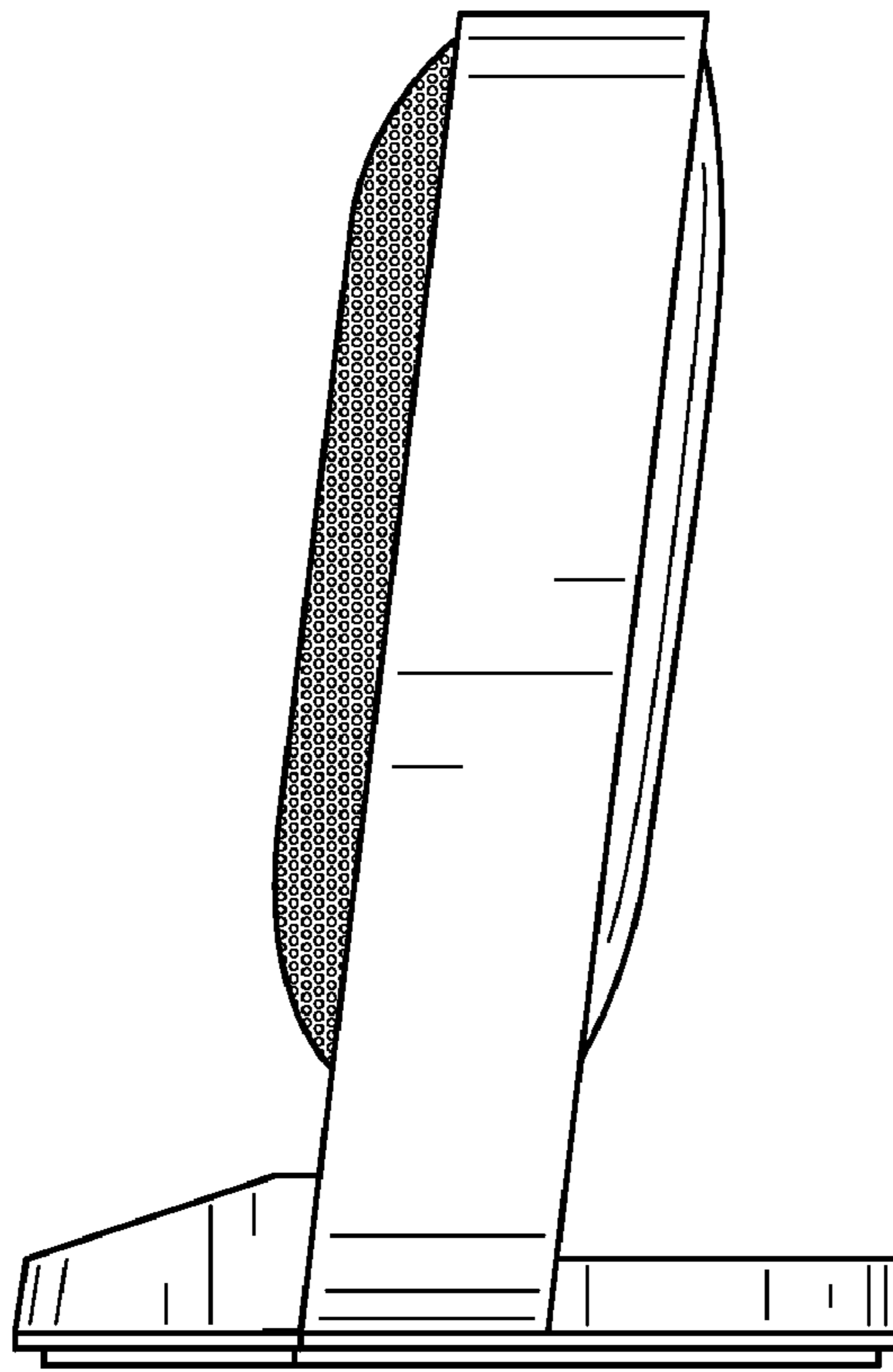


FIG. 6

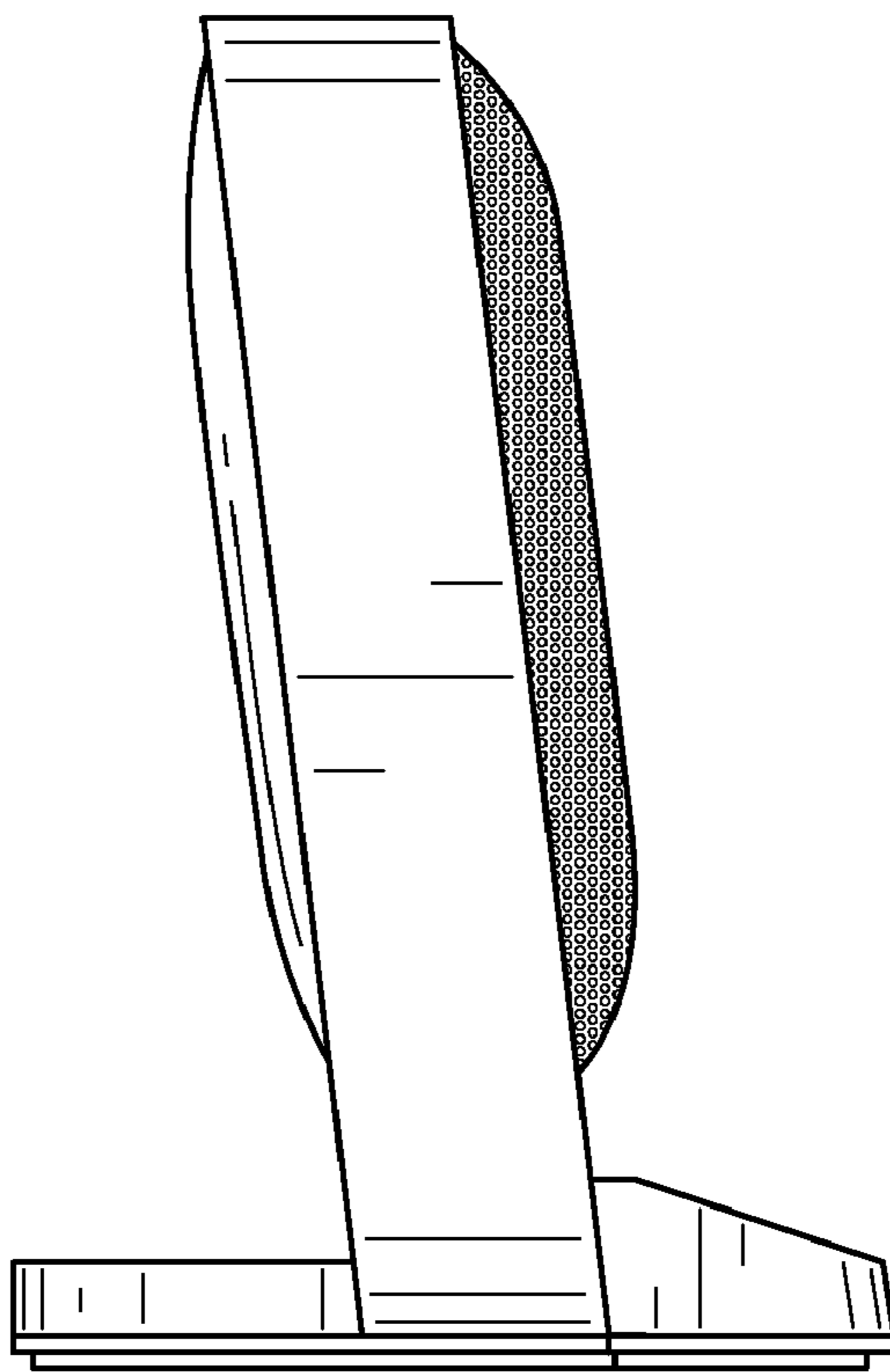


FIG. 7