



US00D610567S

(12) **United States Design Patent**
Townsend

(10) **Patent No.:** **US D610,567 S**

(45) **Date of Patent:** **** Feb. 23, 2010**

(54) **HOUSING FOR A COMMUNICATION
DEVICE BASE**

D562,797 S * 2/2008 Beasley et al. D14/149
D571,777 S * 6/2008 Waterman et al. D14/151
D599,772 S * 9/2009 Nakajima D14/149

(75) Inventor: **David P. Townsend**, Lakewood, IL (US)

FOREIGN PATENT DOCUMENTS

(73) Assignee: **Motorola, Inc.**, Schaumburg, IL (US)

WO DM/046695 * 2/1999
WO DM/051109 * 10/1999
WO DM/055666 * 5/2000

(**) Term: **14 Years**

(21) Appl. No.: **29/299,813**

OTHER PUBLICATIONS

(22) Filed: **Jan. 4, 2008**

Motorola B802, <URL:http://www.101phones.com/details/0-11221/B802.html>, retrieved from internet Sep. 11, 2009.*
Panasonic BB-GT1500B, <URL:http://www.101phones.com/details/1984-4938/Panasonic-5-8GHz-One-Handset-Phones-BB-GT1500B.html>, retrieved from internet on Sep. 11, 2009.*

(51) **LOC (9) Cl.** **14-03**

(52) **U.S. Cl.** **D14/149**

(58) **Field of Classification Search** D14/130,
D14/137, 140, 140.1, 140.8, 141.1, 141.3,
D14/142, 149-151, 158-159, 168, 171-172,
D14/188, 211, 214, 225-226, 240, 243, 251,
D14/253, 299, 336, 215, 167, 210, 212, 509,
D14/140.4, 140.5, 140.6, 242, 140.2, 138 R,
D14/144, 434, 148; 379/387.01, 388.02,
379/420.02, 447, 453, 434; 381/16; D13/107-108,
D13/168; 455/351, 412.1

* cited by examiner

Primary Examiner—Ian Simmons
Assistant Examiner—Carla Jobe Wright

See application file for complete search history.

(57) **CLAIM**

The ornamental design for a housing for a communication device base, as shown and described.

(56) **References Cited**

DESCRIPTION

U.S. PATENT DOCUMENTS

D277,958 S * 3/1985 Cooke et al. D14/151
D296,692 S * 7/1988 Besford et al. D14/138 R
D352,032 S * 11/1994 Cowan D14/151
5,572,575 A * 11/1996 Yamamoto et al. 455/412.1
D384,663 S * 10/1997 Solomita et al. D14/141.1
D401,235 S * 11/1998 Fuke et al. D14/149
D424,559 S * 5/2000 Ogawa D14/148
D428,868 S * 8/2000 Bryant et al. D14/148
D514,544 S * 2/2006 Beasley et al. D14/149
D555,630 S * 11/2007 Udagawa et al. D14/151

FIG. 1 is a front perspective view of a housing for a communication device base.

FIG. 2 is a front view thereof.

FIG. 3 is a rear view thereof.

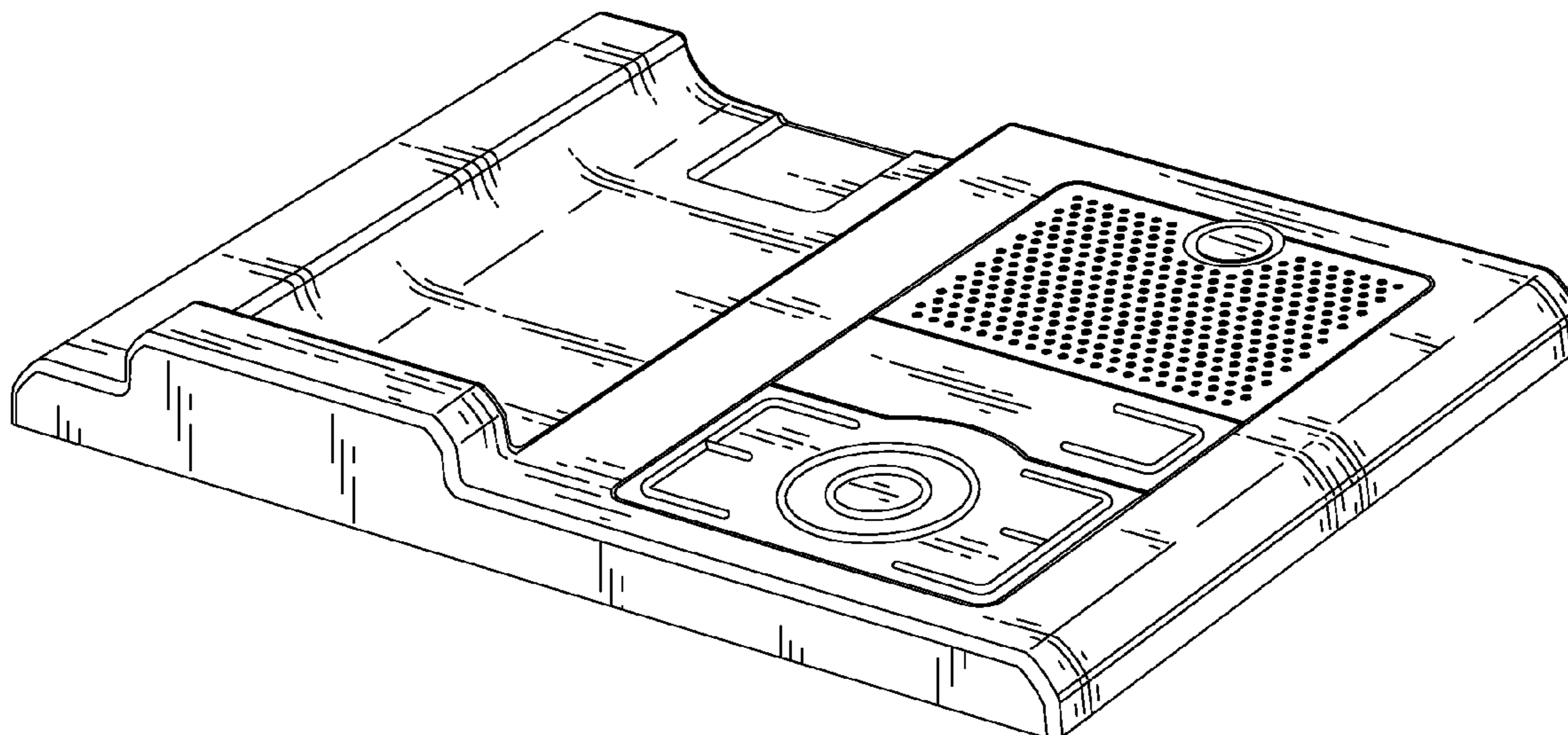
FIG. 4 is a first side view thereof.

FIG. 5 is a second side view thereof.

FIG. 6 is a top view thereof; and,

FIG. 7 is a bottom view thereof.

1 Claim, 4 Drawing Sheets



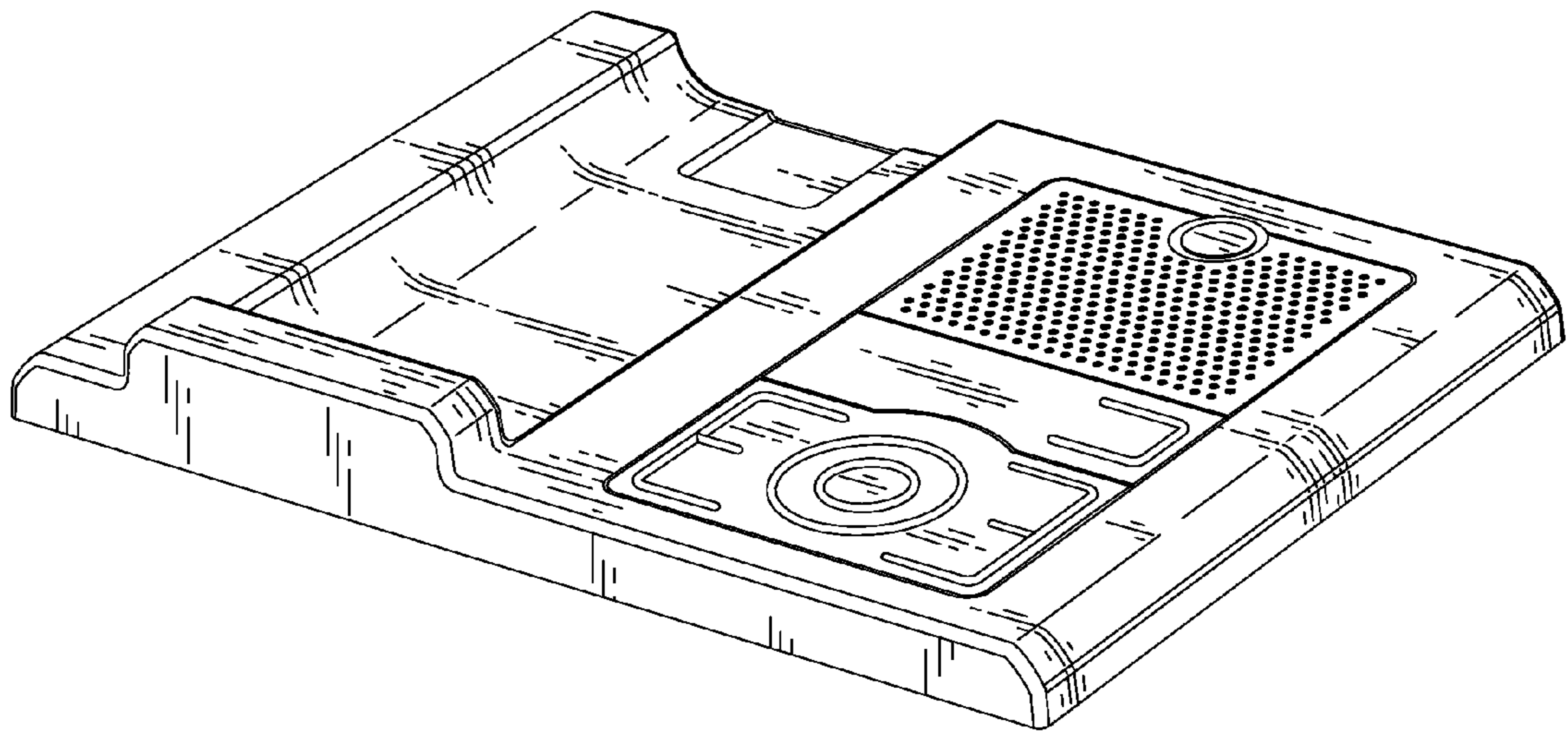


FIG. 1

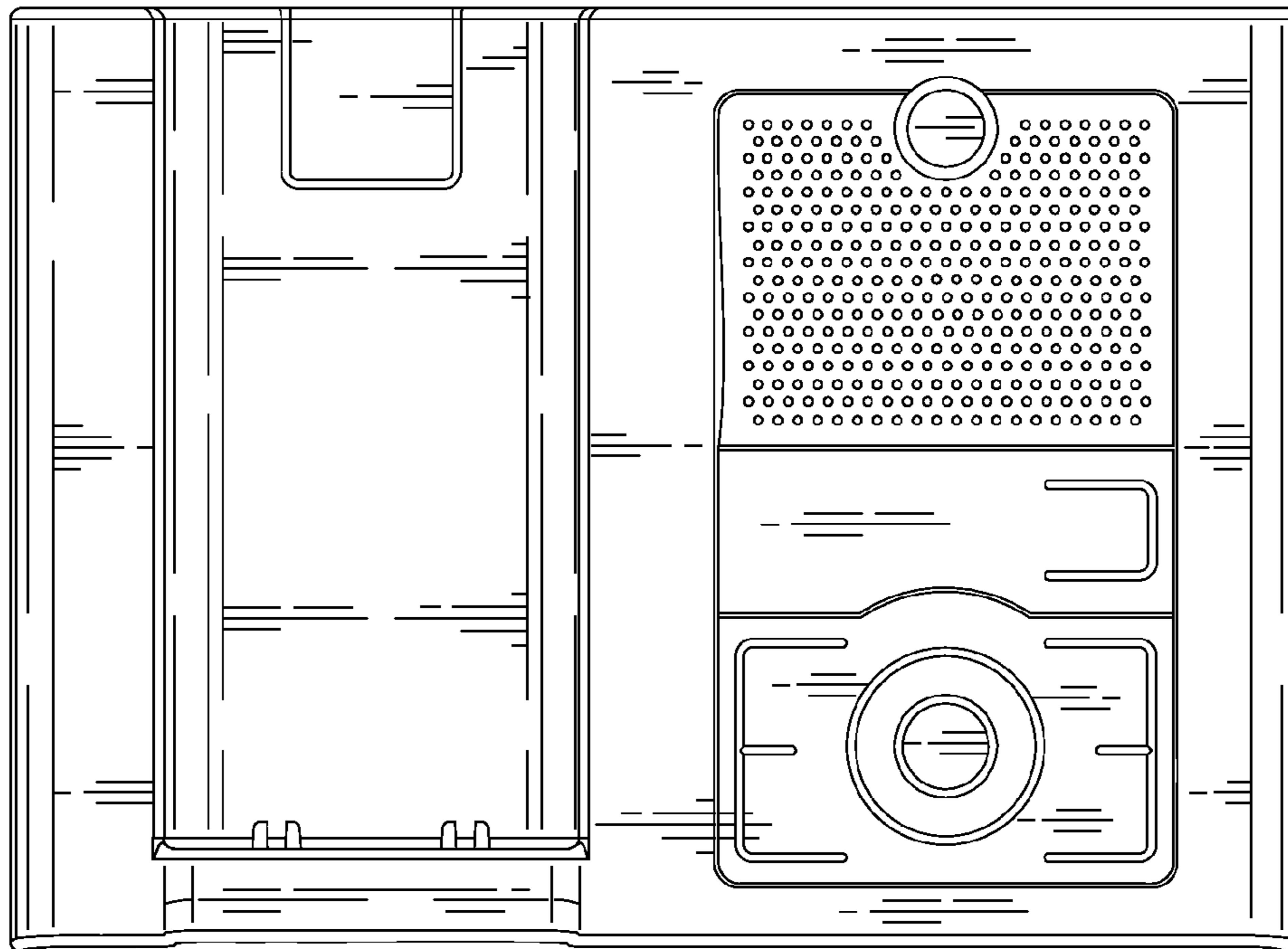


FIG. 2

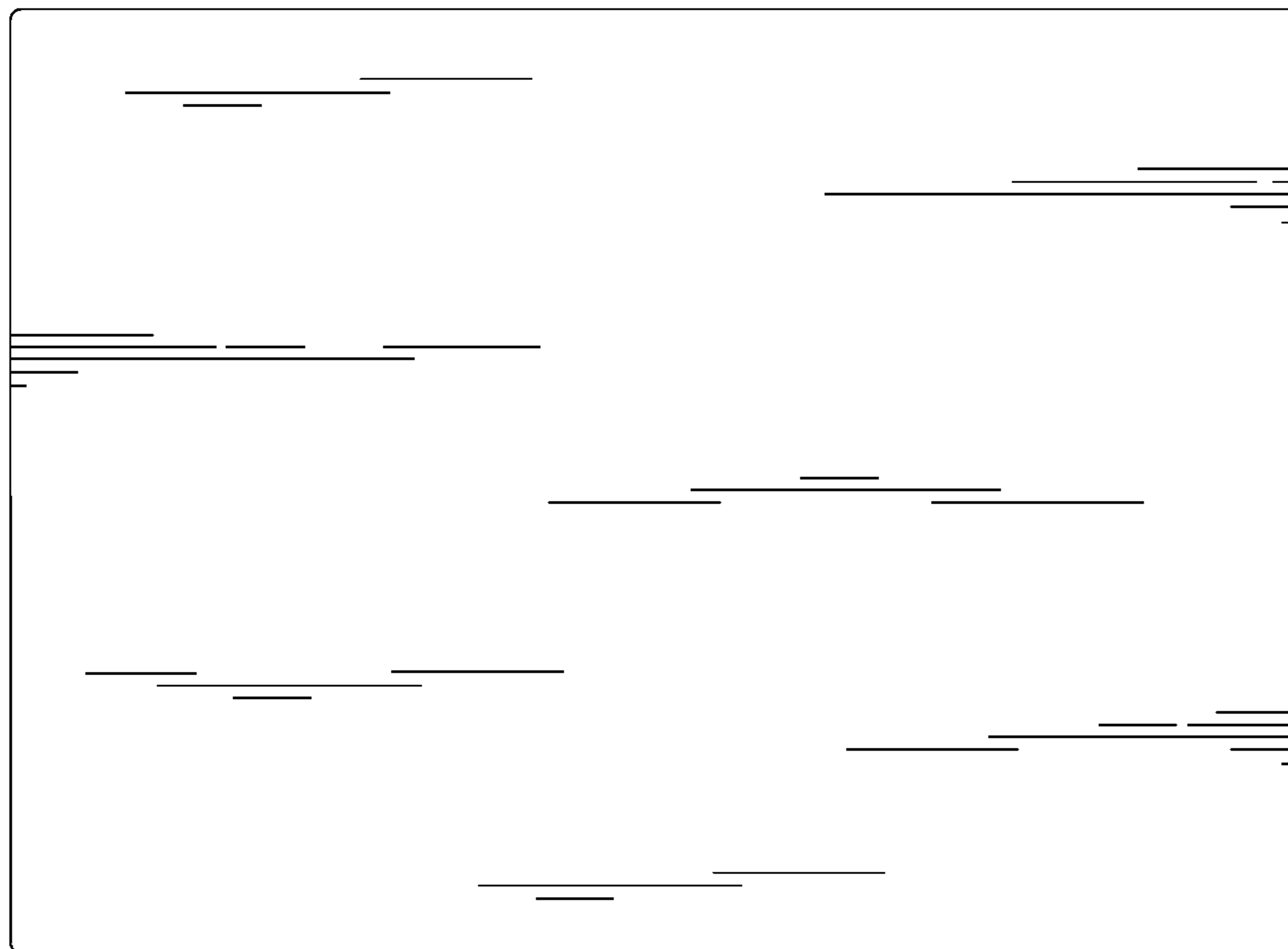


FIG. 3

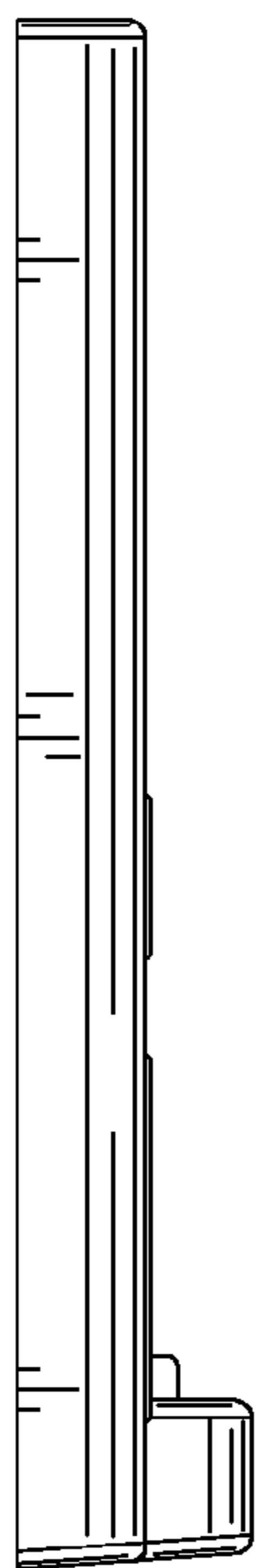


FIG. 4

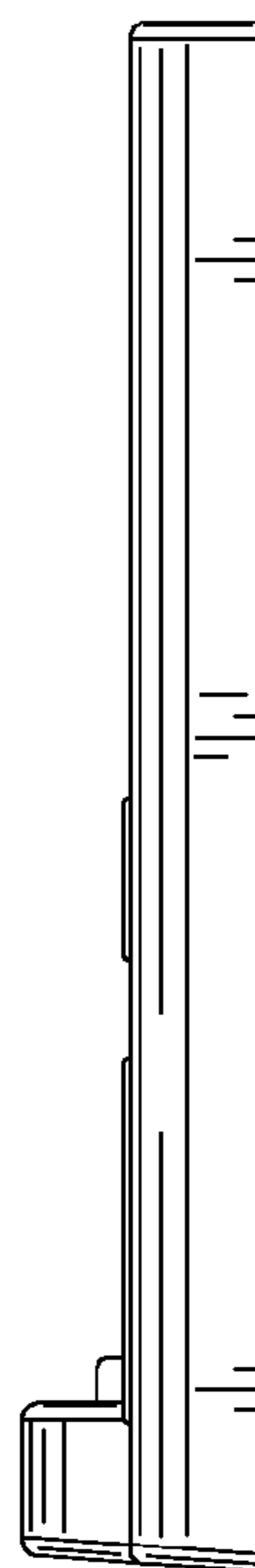


FIG. 5

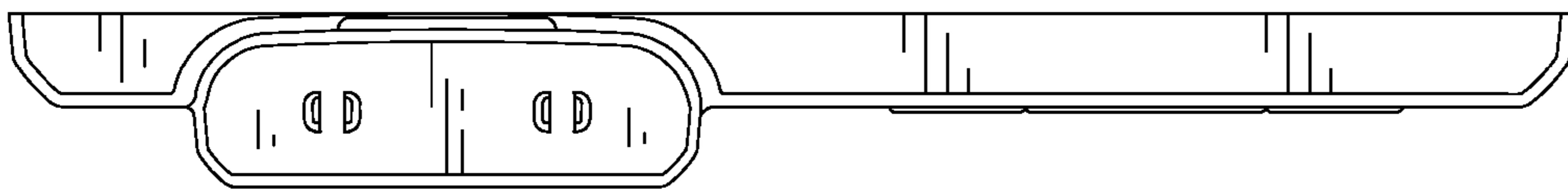


FIG. 6

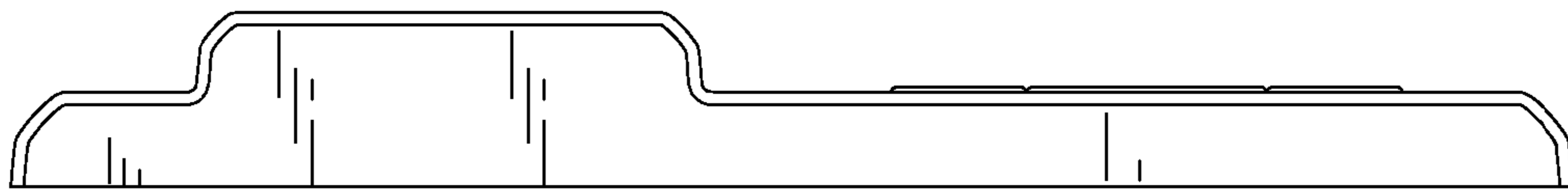


FIG. 7