



US00D610560S

(12) **United States Design Patent**
Chen

(10) **Patent No.:** **US D610,560 S**

(45) **Date of Patent:** **** Feb. 23, 2010**

(54) **DISPLAY**

(75) Inventor: **Yi-Cheng Chen**, Taipei County (TW)

(73) Assignee: **Hannspree, Inc.**, Taipei (TW)

(**) Term: **14 Years**

(21) Appl. No.: **29/311,493**

(22) Filed: **Apr. 1, 2009**

(51) **LOC (9) Cl.** **14-03**

(52) **U.S. Cl.** **D14/126; D14/374**

(58) **Field of Classification Search** D14/126,
D14/239, 371, 136, 374-377, 440, 450, 448,
D14/336, 342; 312/7.2; 348/836, 838, 180,
348/184, 325, 739; 341/12; 248/917-924,
248/465; 345/104, 133, 156, 168, 87, 173;
720/605, 669, 600, 655; 369/99, 197; 455/344,
455/347; D21/329, 515, 577, 622, 333, 433,
D21/448, 452, 450, 331; D6/477, 479, 300;
273/148 B; 446/484, 175, 356; D10/15,
D10/26

See application file for complete search history.

(56) **References Cited**

U.S. PATENT DOCUMENTS

D567,201 S * 4/2008 Profit D14/126
D572,680 S * 7/2008 Lee et al. D14/126
D575,247 S * 8/2008 Lee D14/126
D578,972 S * 10/2008 Oh et al. D14/126

D579,889 S * 11/2008 Noh D14/129
D585,853 S * 2/2009 Lee et al. D14/126
D589,917 S * 4/2009 Kaneko et al. D14/126
D590,786 S * 4/2009 Kim et al. D14/126
D593,974 S * 6/2009 Yang et al. D14/126
D594,428 S * 6/2009 Sun D14/126
D594,830 S * 6/2009 Shiraki et al. D14/129
D595,249 S * 6/2009 Lee D14/126

* cited by examiner

Primary Examiner—Caron Veynar

Assistant Examiner—Abraham Bahta

(74) *Attorney, Agent, or Firm*—Ditthavong Mori & Steiner,
P.C.

(57) **CLAIM**

The ornamental design for a display, as shown and described.

DESCRIPTION

FIG. 1 is a front perspective view of a display showing my new design;

FIG. 2 is a front elevational view thereof;

FIG. 3 is a rear elevational view thereof;

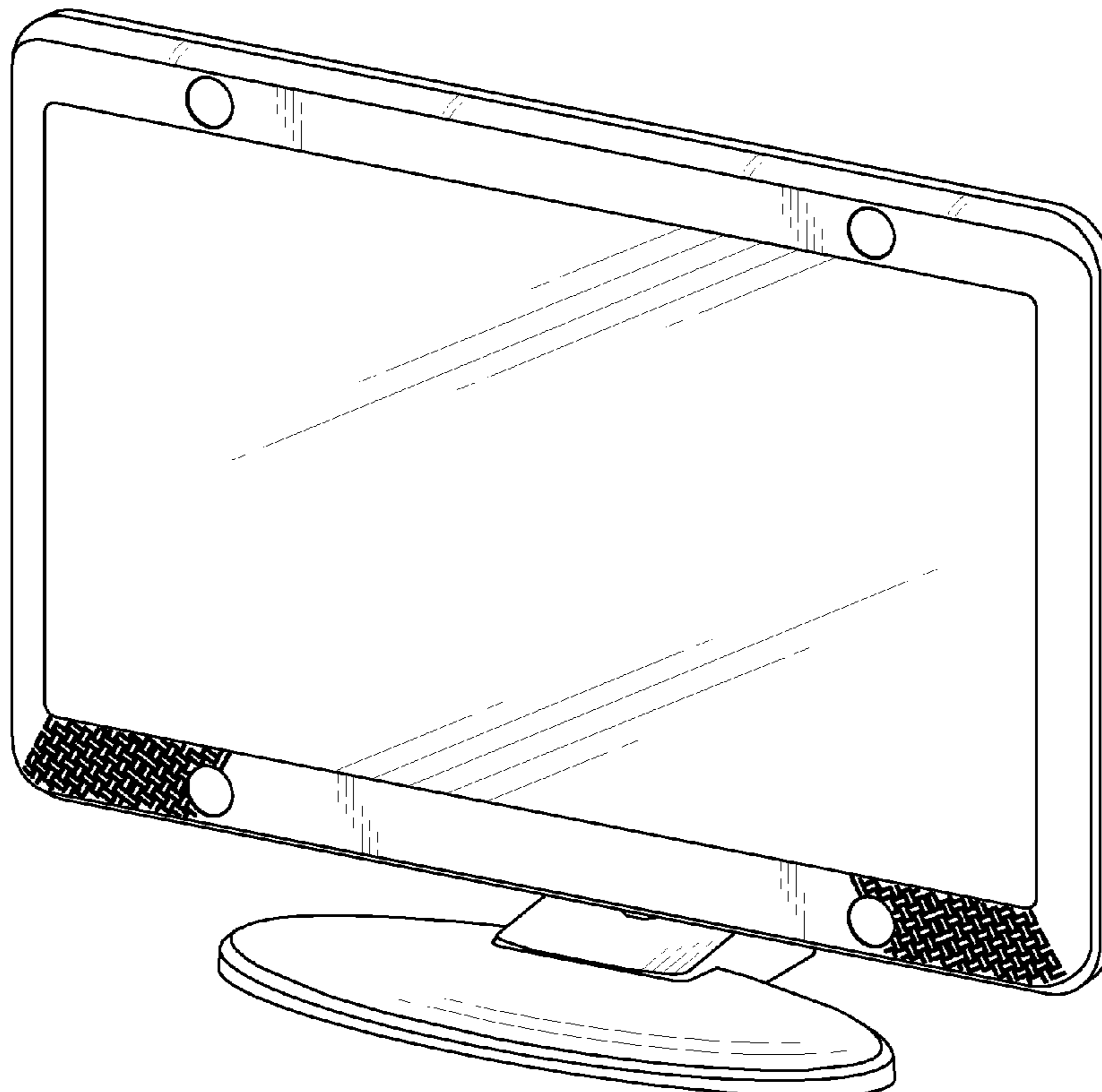
FIG. 4 is a left side elevational view thereof;

FIG. 5 is a right side elevational view thereof;

FIG. 6 is a top plan view thereof; and,

FIG. 7 is a bottom plan view thereof.

1 Claim, 7 Drawing Sheets



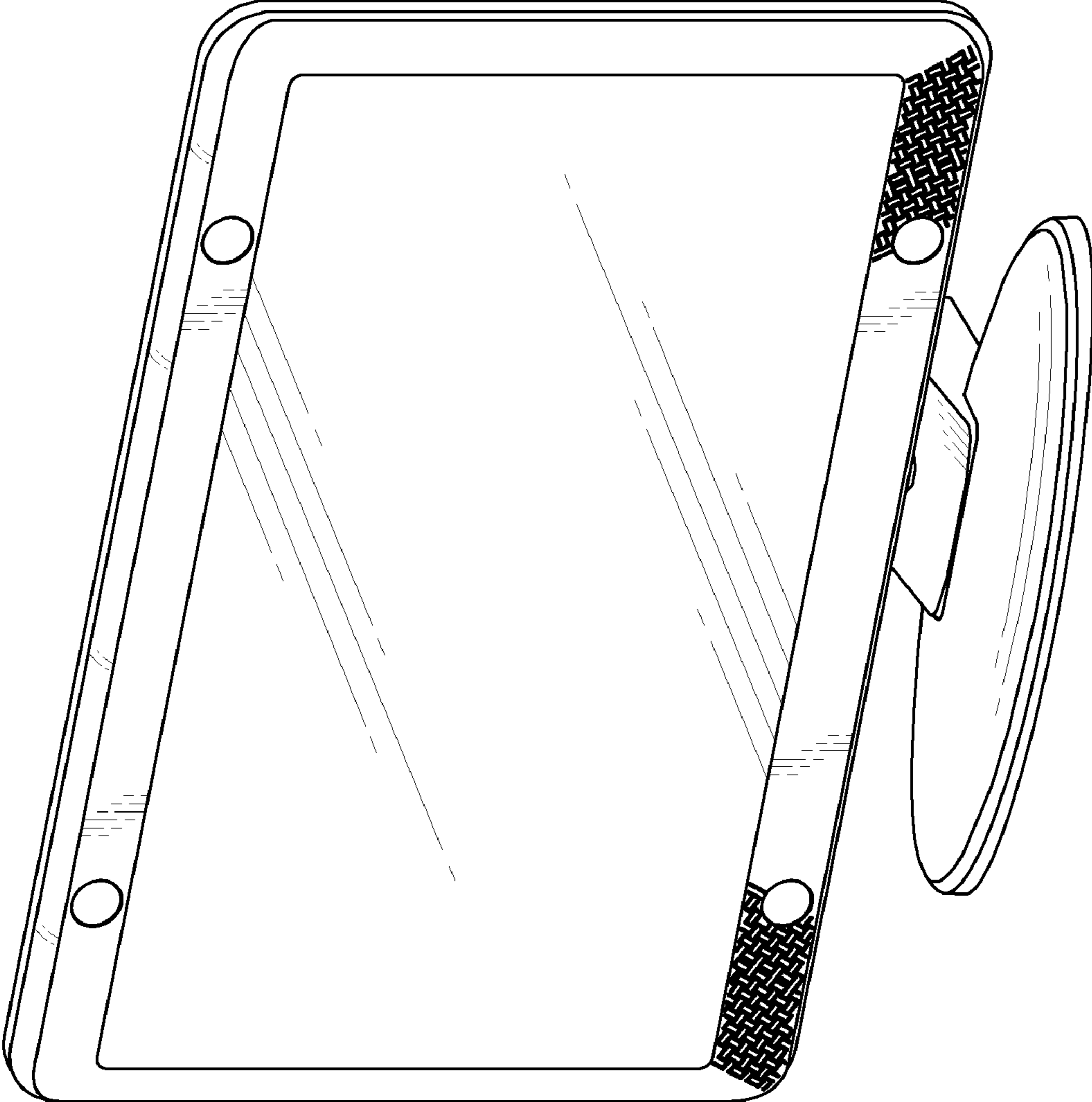


FIG. 1

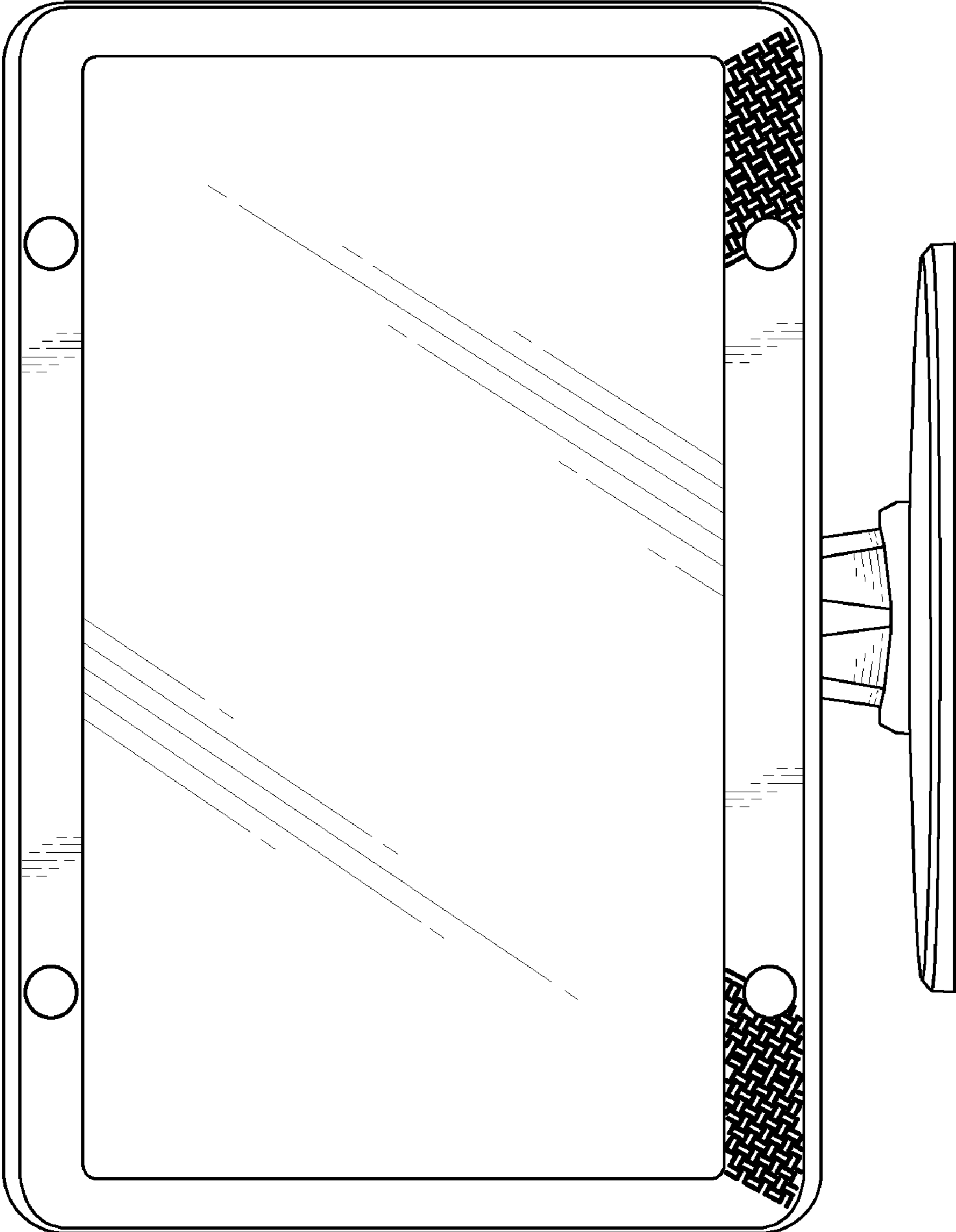


FIG. 2

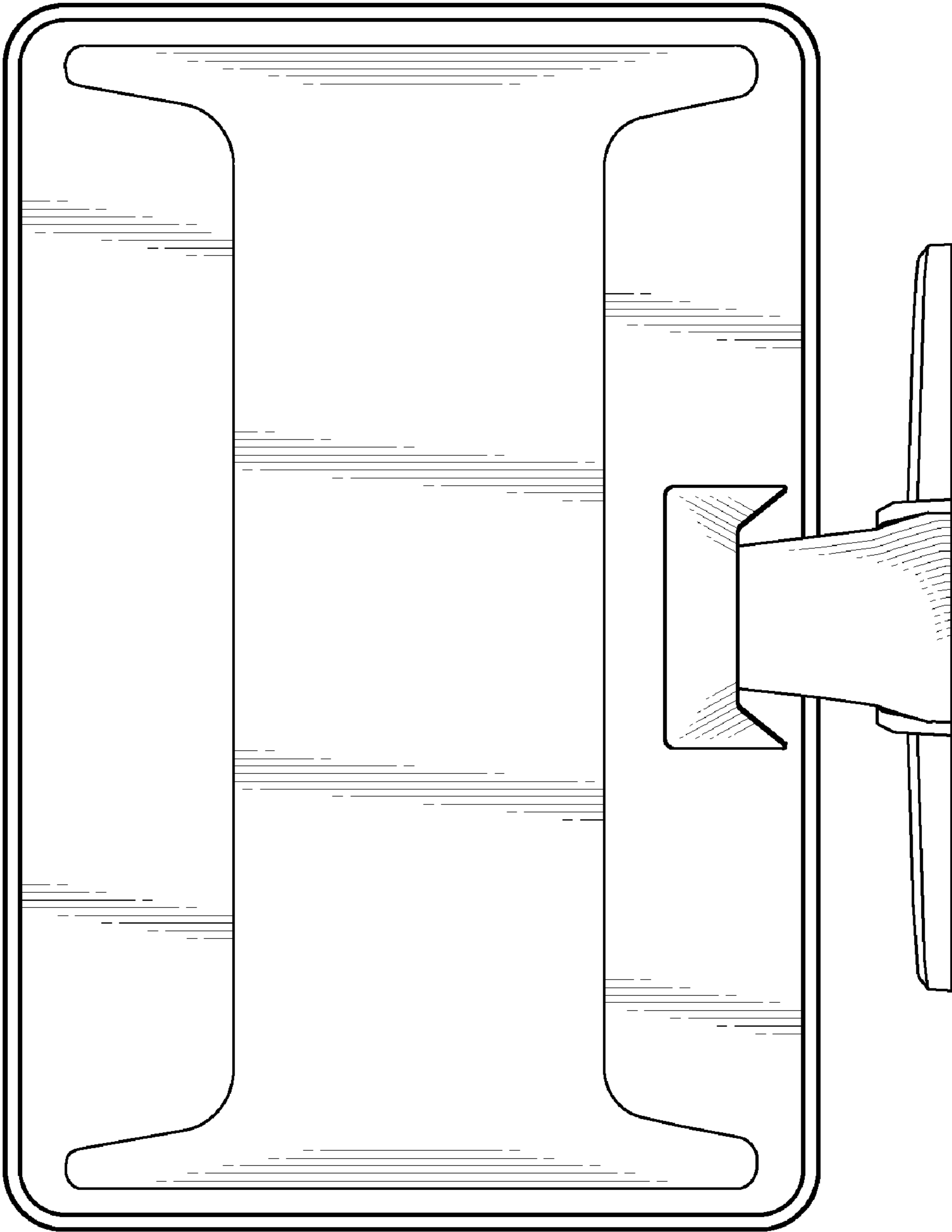


FIG. 3

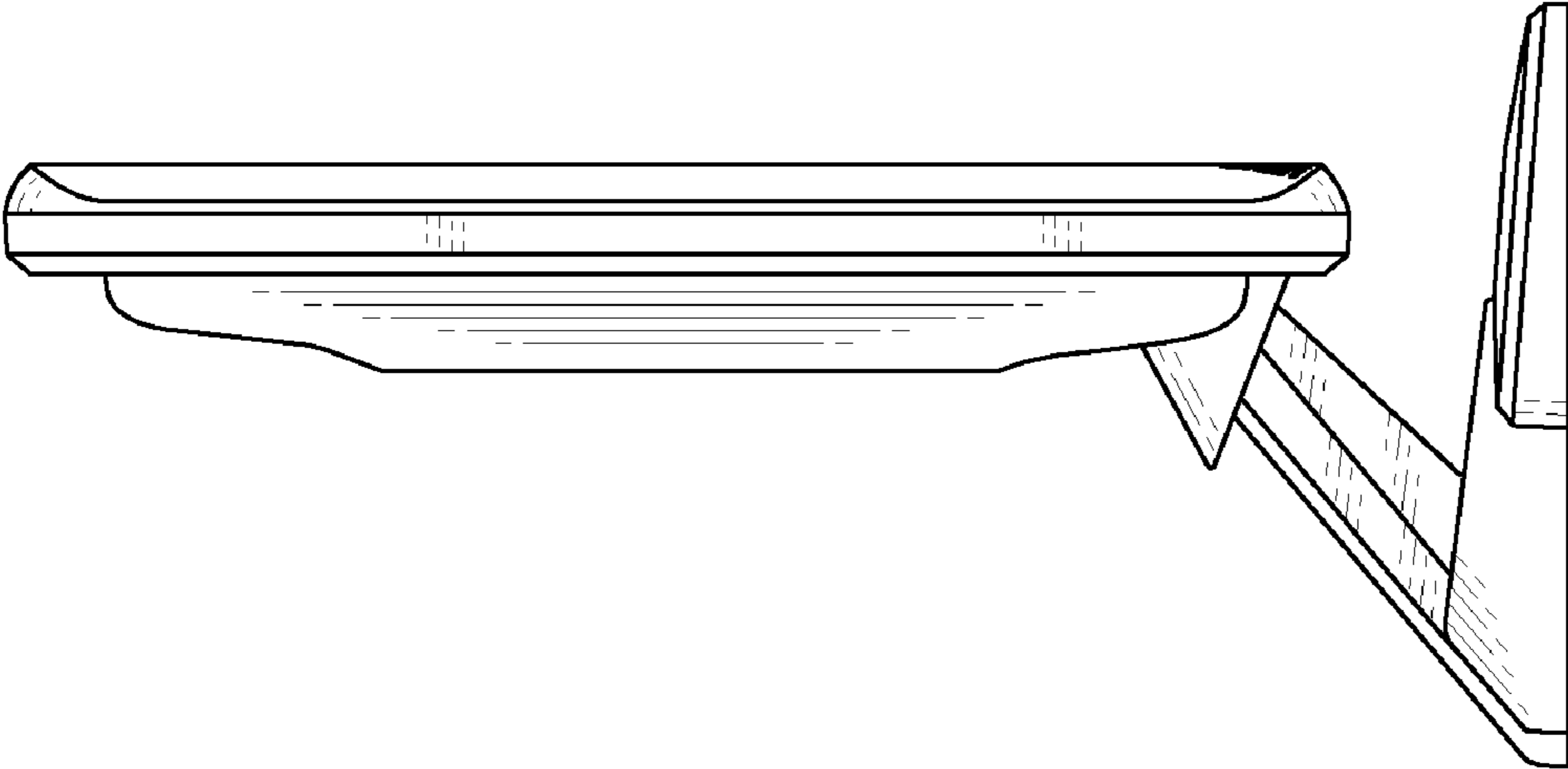


FIG. 4

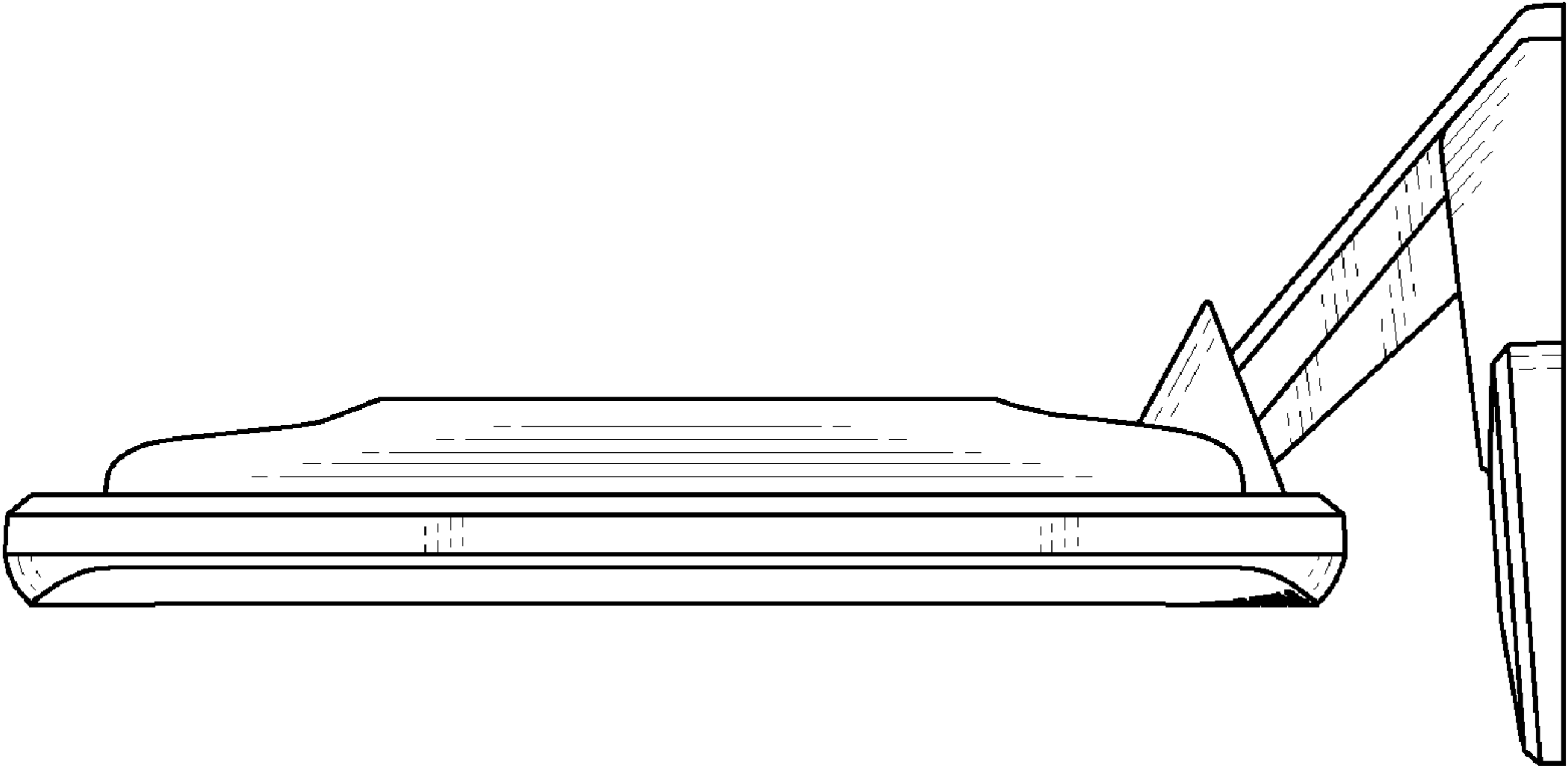


FIG. 5

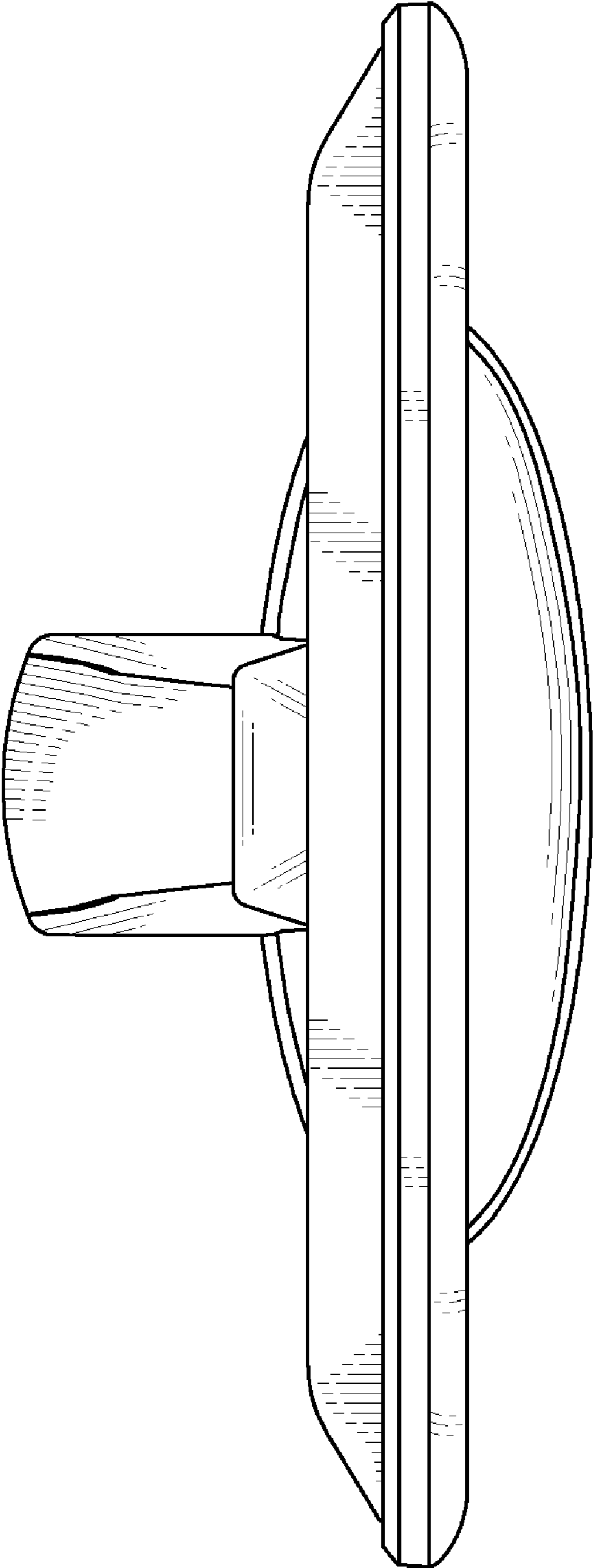


FIG. 6

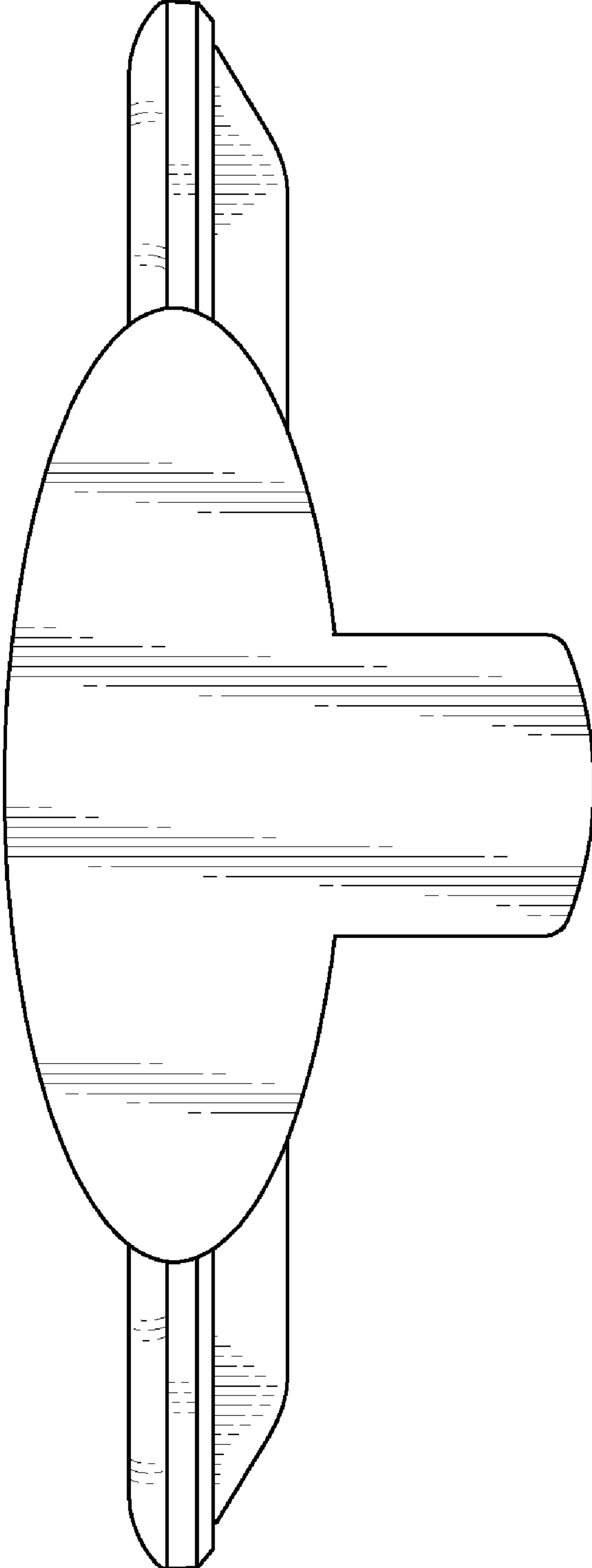


FIG. 7