



US00D610555S

(12) **United States Design Patent**
Chiu

(10) **Patent No.:** **US D610,555 S**
(45) **Date of Patent:** **** Feb. 23, 2010**

(54) **REMOTE CONTROL**

D584,694 S * 1/2009 Greitzke D13/168

(75) Inventor: **Yi-Chung Chiu**, Taoyuan County (TW)

* cited by examiner

(73) Assignee: **Hannspree, Inc.**, Taipei (TW)

Primary Examiner—Selina Sikder

(74) *Attorney, Agent, or Firm*—Guice Patents PLLC

(**) Term: **14 Years**

(57) **CLAIM**

(21) Appl. No.: **29/338,959**

The ornamental design for remote control, as shown and described.

(22) Filed: **Jun. 22, 2009**

(51) **LOC (9) Cl.** **14-03**

(52) **U.S. Cl.** **D13/168**

(58) **Field of Classification Search** D13/168;
D10/104, 106; D14/218, 247; 340/825.22,
340/825.24, 825.25, 825.31, 825.36, 825.69,
340/825.72; 341/76; 455/352

See application file for complete search history.

DESCRIPTION

FIG. 1 is a perspective view of remote control showing the design;

FIG. 2 is a front side view thereof;

FIG. 3 is a rear side view thereof;

FIG. 4 is a right side view thereof;

FIG. 5 is a left side view thereof;

FIG. 6 is a top plan view thereof;

FIG. 7 is a bottom plan view thereof; and,

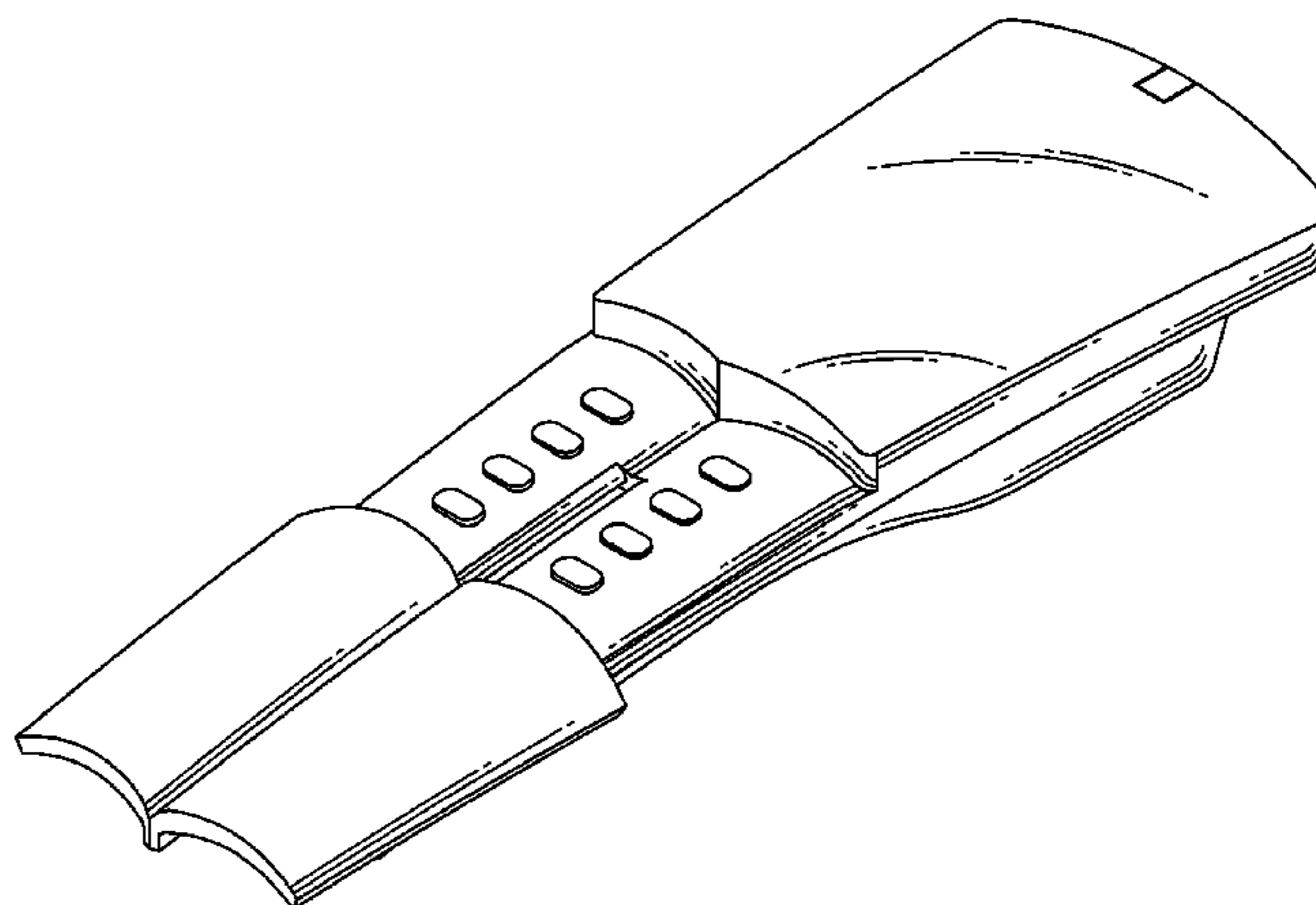
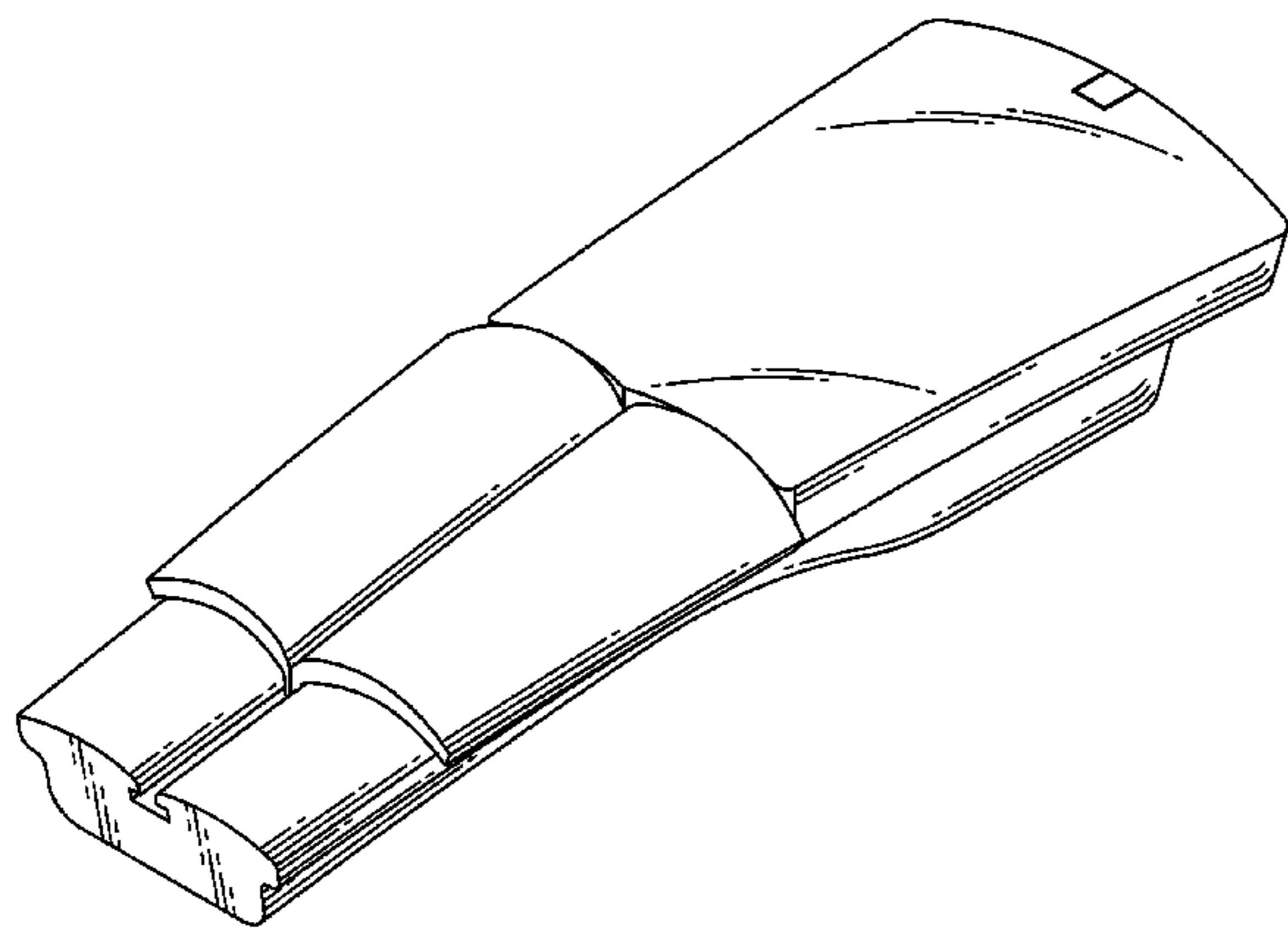
FIG. 8 is a view showing the status of opening.

(56) **References Cited**

U.S. PATENT DOCUMENTS

D317,153 S *	5/1991	MacKenzie	D14/406
D357,018 S *	4/1995	Takami	D14/218
D548,703 S *	8/2007	Vendramini	D13/168
D559,793 S *	1/2008	Fan	D13/168

1 Claim, 7 Drawing Sheets



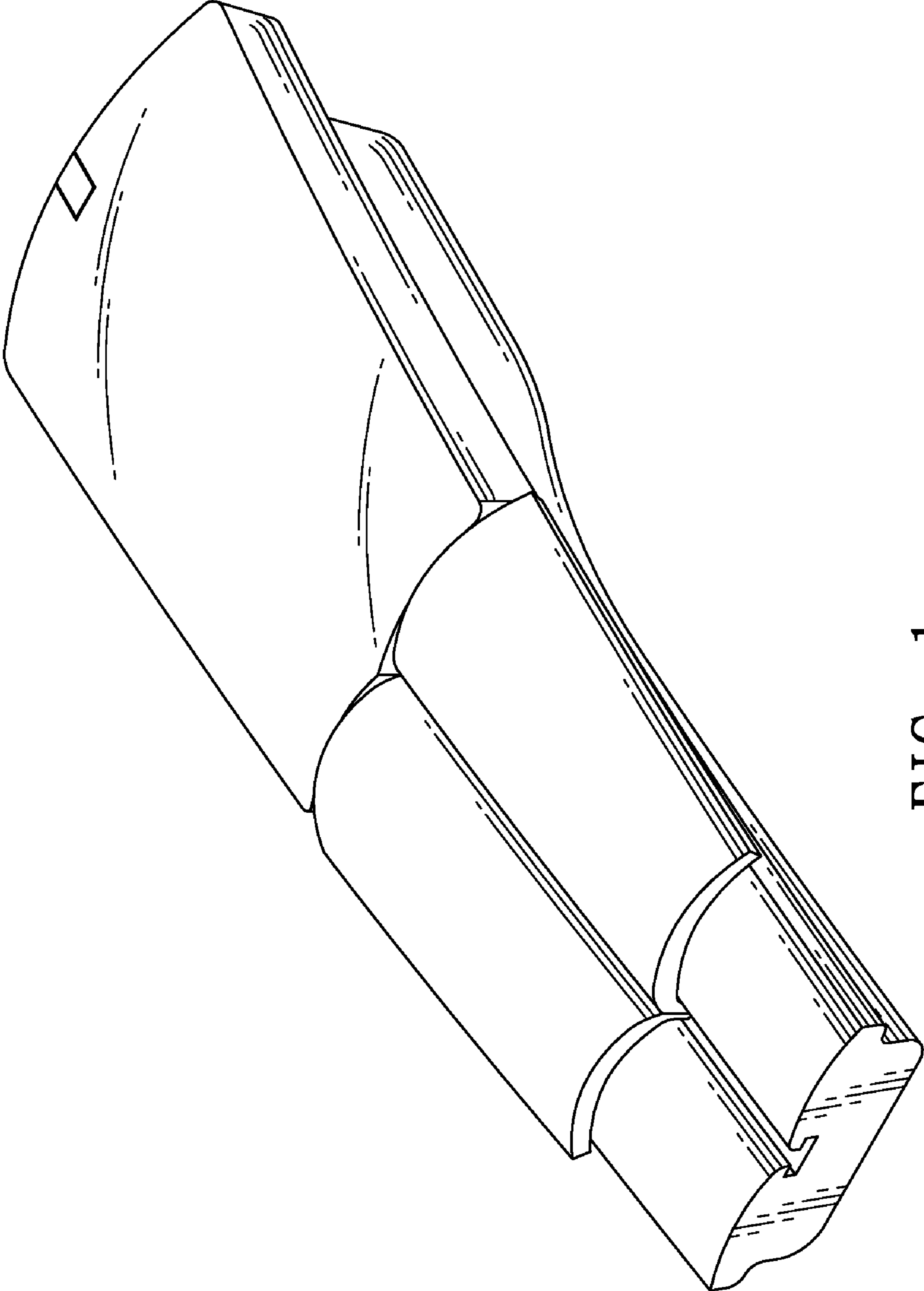


FIG. 1

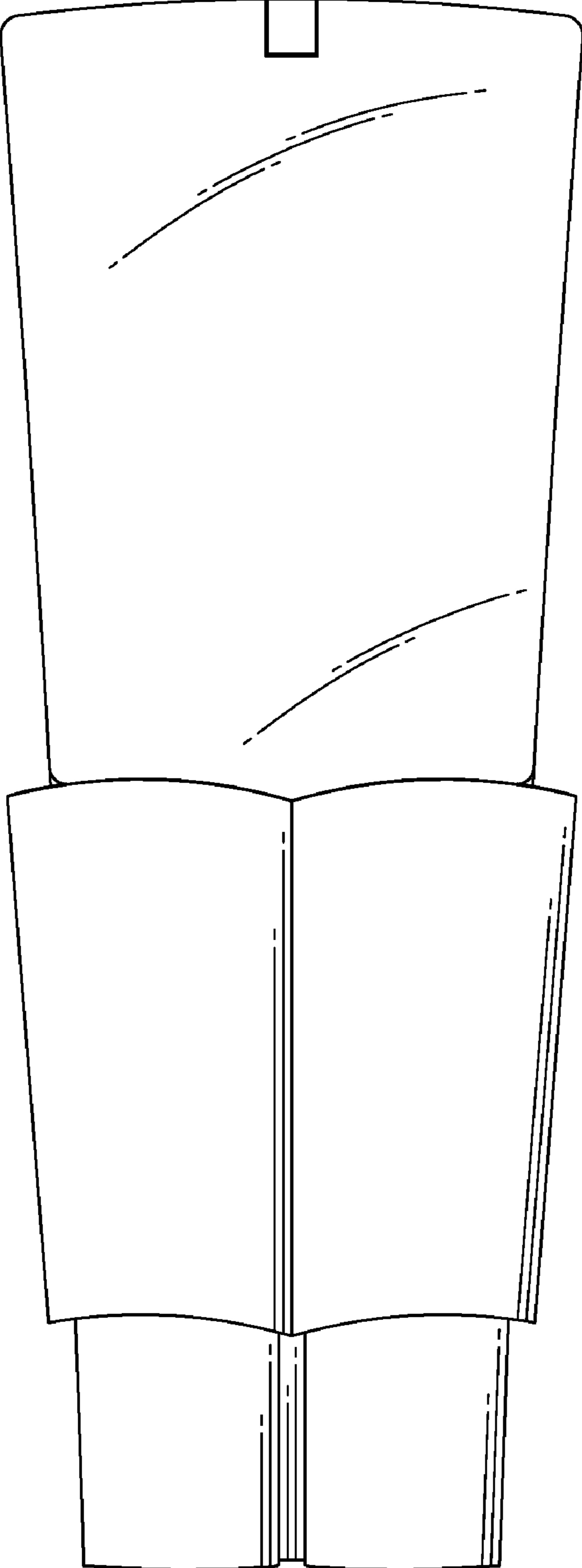


FIG. 2

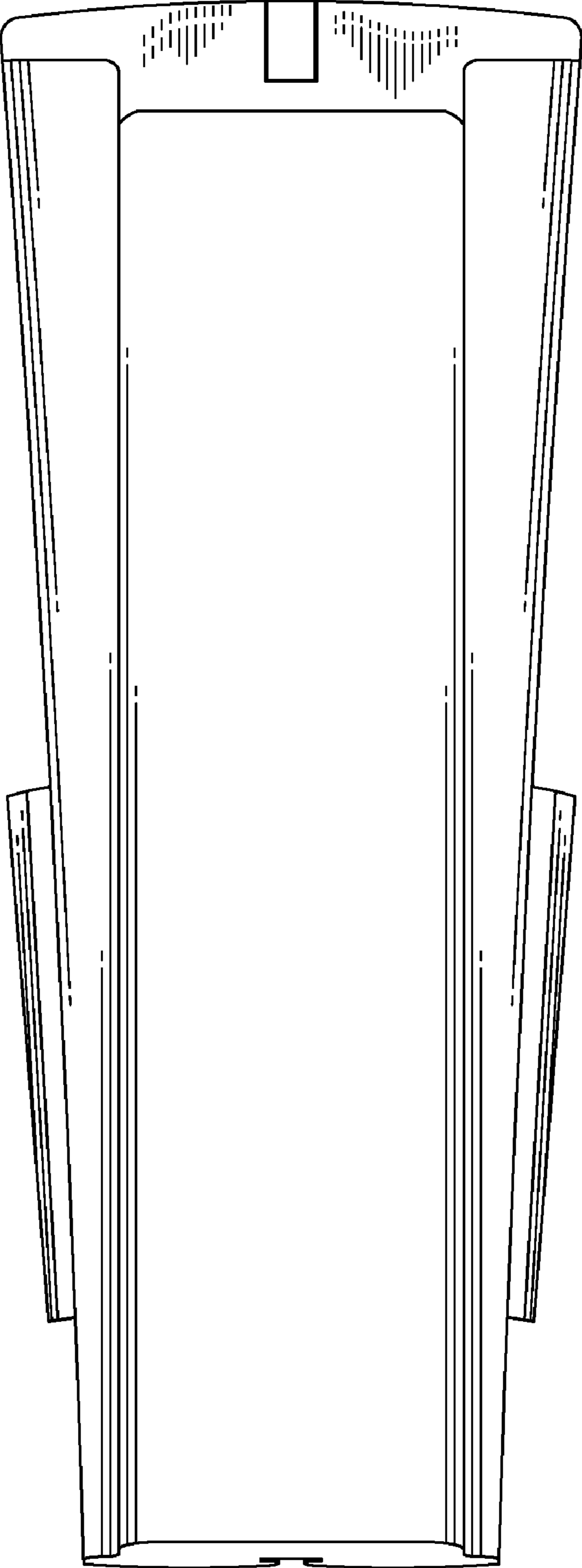


FIG. 3

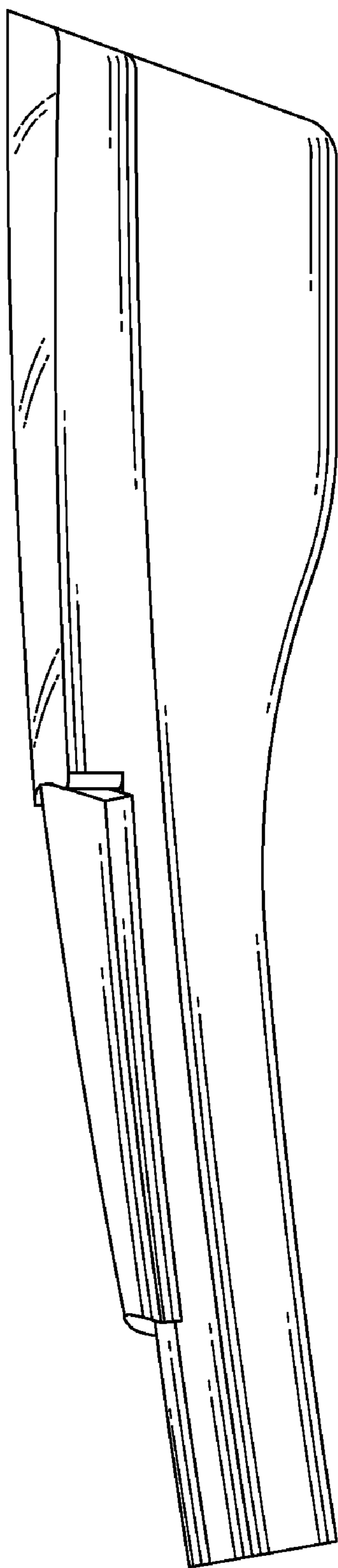


FIG. 4

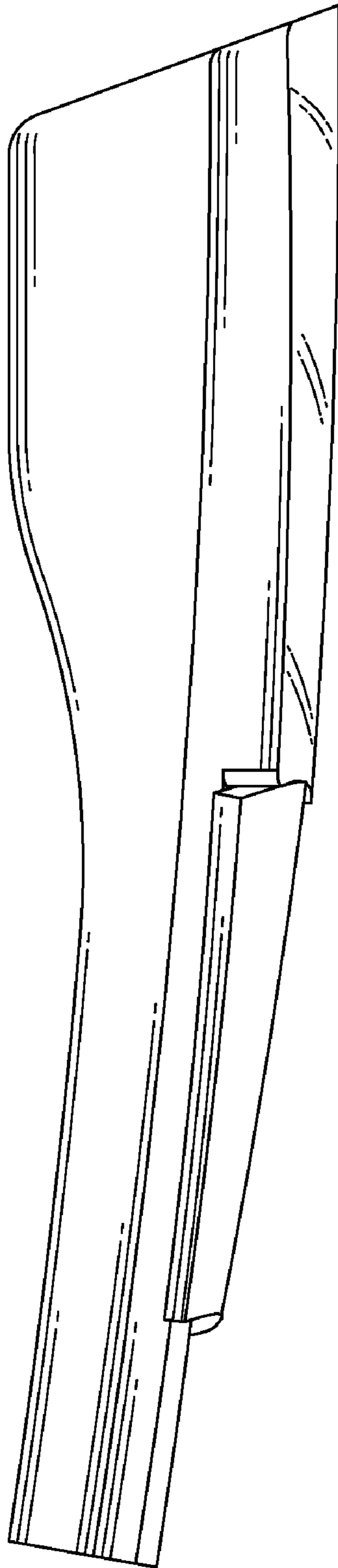


FIG. 5

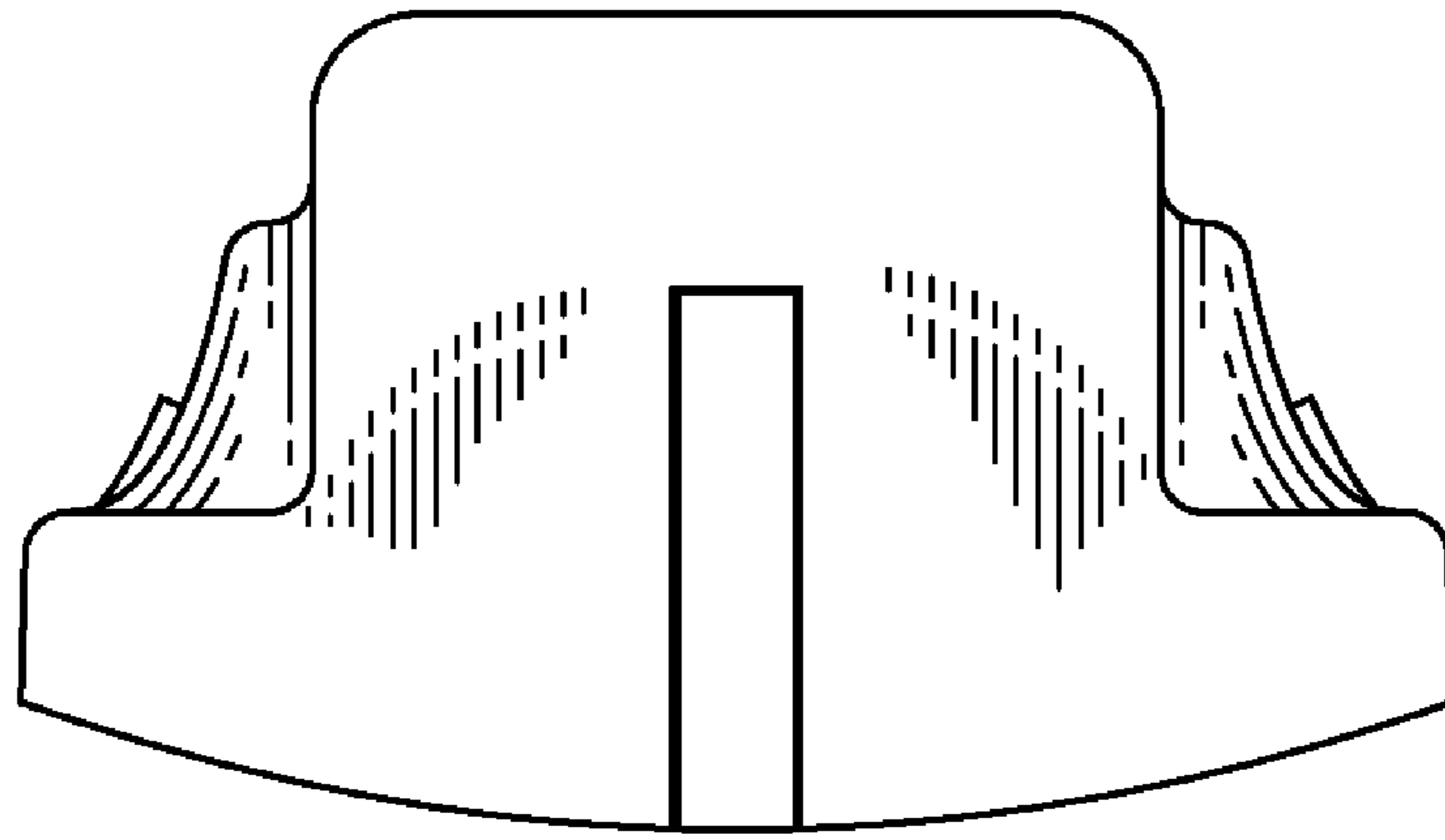


FIG. 6

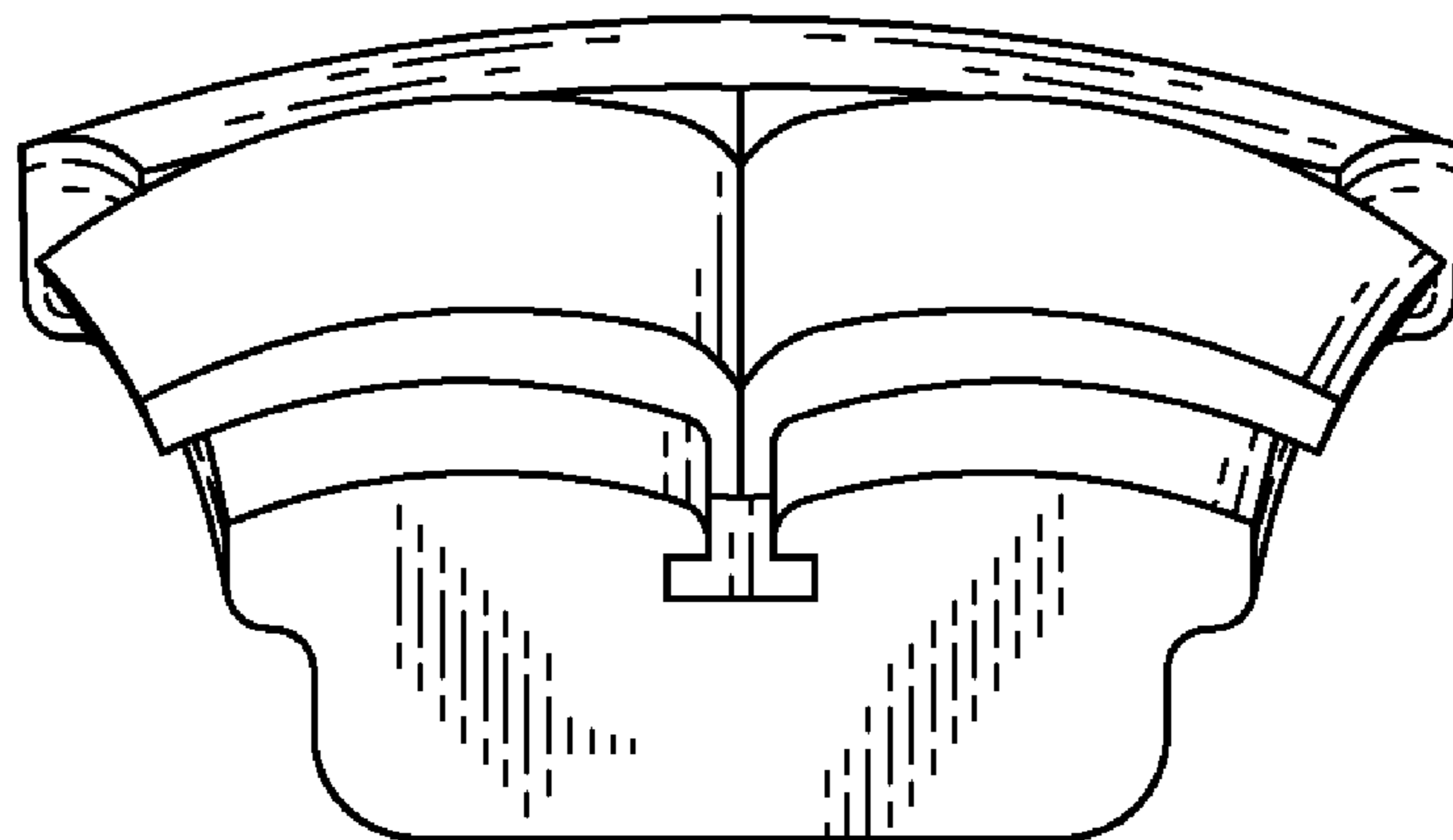


FIG. 7

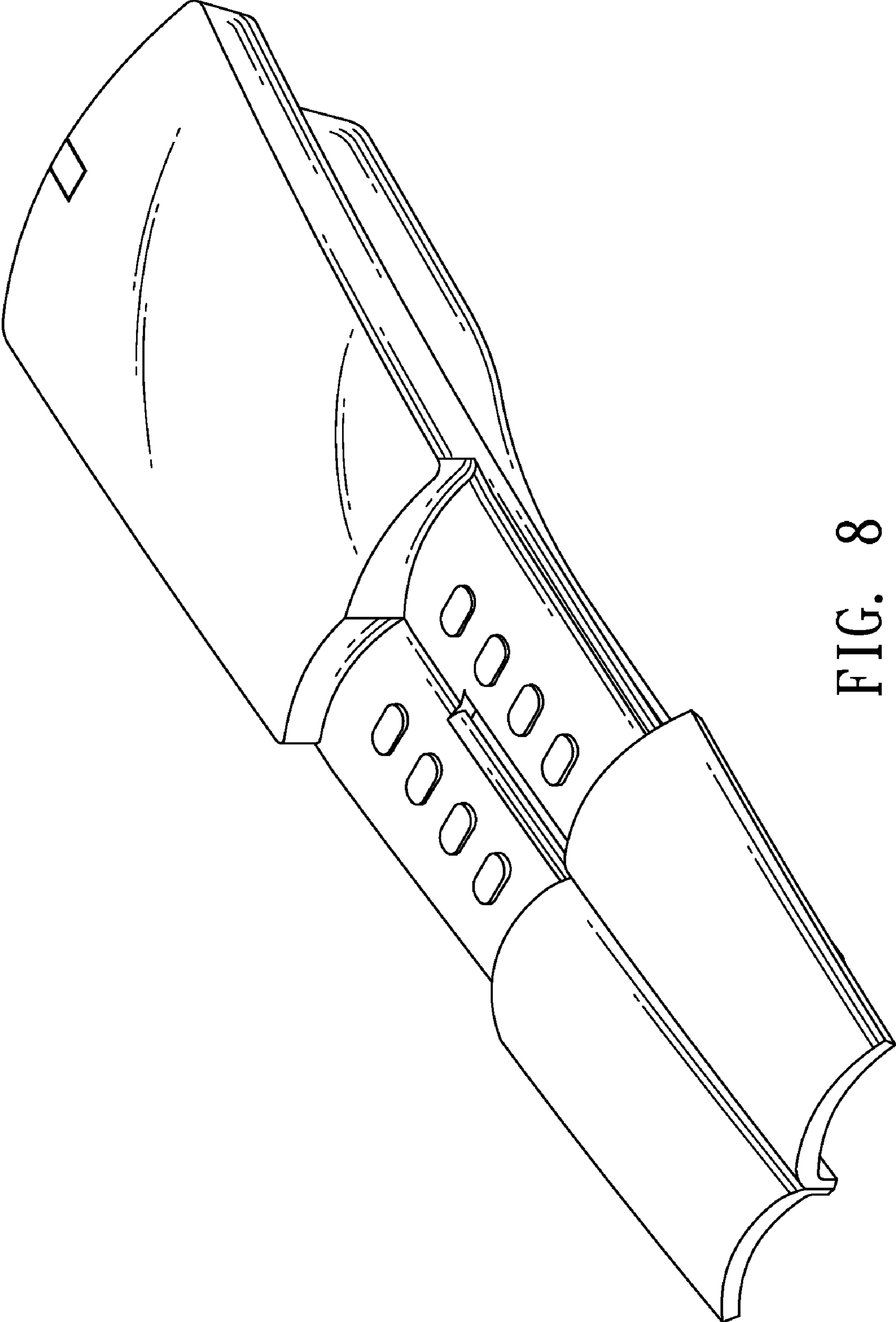


FIG. 8