



US00D610553S

(12) **United States Design Patent**
Mäkelä

(10) **Patent No.:** **US D610,553 S**
(45) **Date of Patent:** **** Feb. 23, 2010**

(54) **OPERATING PANEL FOR ELECTRICAL DEVICE**

(75) Inventor: **Marjukka Eeva-Ritva Mäkelä**,
Helsinki (FI)

(73) Assignee: **ABB Oy**, Helsinki (FI)

(**) Term: **14 Years**

(21) Appl. No.: **29/311,886**

(22) Filed: **Jul. 24, 2009**

(30) **Foreign Application Priority Data**

Jan. 26, 2009 (EP) 001082267-0001

(51) **LOC (9) Cl.** **13-03**

(52) **U.S. Cl.** **D13/162**

(58) **Field of Classification Search** D13/158,
D13/162, 164, 168, 177, 184, 199; D14/138,
D14/218, 335, 200; D10/104, 49; 340/825.22,
340/825.24; 361/601, 622, 627, 628, 679,
361/680, 681, 728; 700/7, 17, 18, 22, 83
See application file for complete search history.

(56) **References Cited**

U.S. PATENT DOCUMENTS

D364,850 S * 12/1995 Estrada et al. D14/346
D450,305 S * 11/2001 Masuzoe et al. D13/168

D512,026 S * 11/2005 Nurmi et al. D13/162
D555,602 S * 11/2007 Park D13/162
D567,189 S * 4/2008 Stiles et al. D13/164

* cited by examiner

Primary Examiner—Daniel D Bui

Assistant Examiner—Thomas J Johannes

(74) *Attorney, Agent, or Firm*—Dykema Gossett PLLC

(57) **CLAIM**

The ornamental design for a operating panel for electrical device, as shown and described.

DESCRIPTION

FIG. 1 is a perspective front, left side and top view of a operating panel for electrical device showing my new design;

FIG. 2 is a perspective rear, right side and bottom view thereof;

FIG. 3 is a front view thereof;

FIG. 4 is a rear view thereof;

FIG. 5 is a top view thereof;

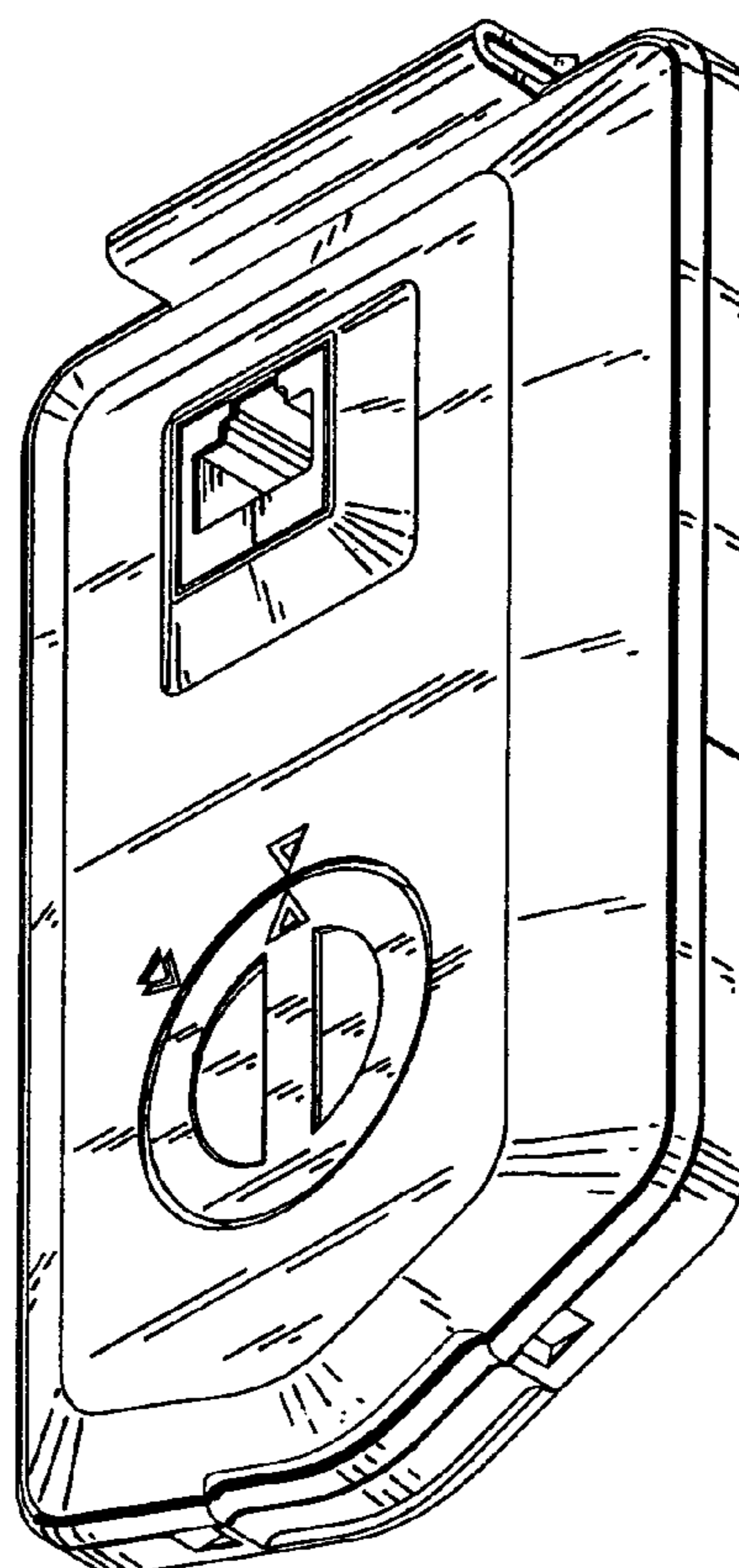
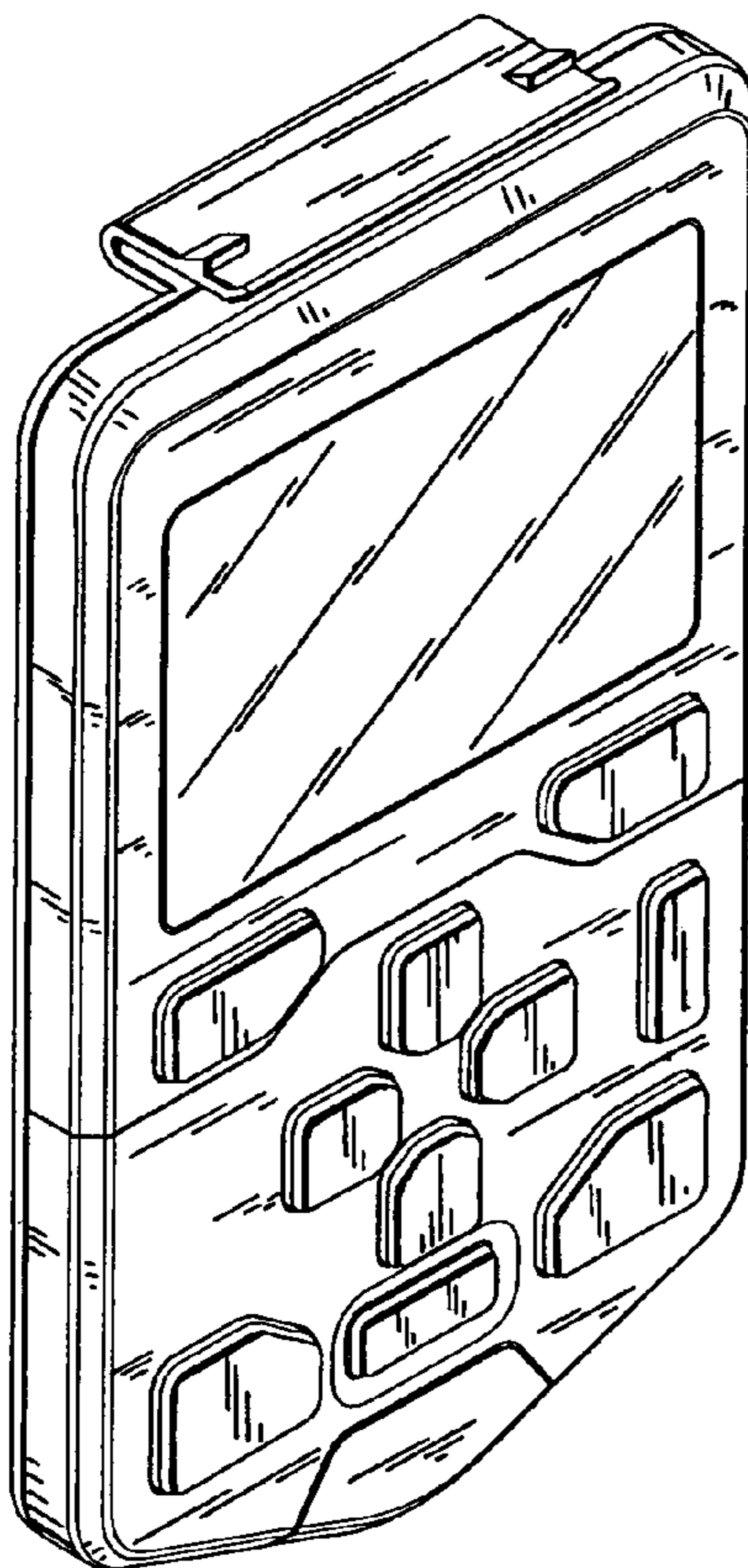
FIG. 6 is a bottom view thereof;

FIG. 7 is a right side view thereof;

FIG. 8 is a left side view thereof; and,

FIG. 9 is a perspective rear, right side and top view thereof.

1 Claim, 9 Drawing Sheets



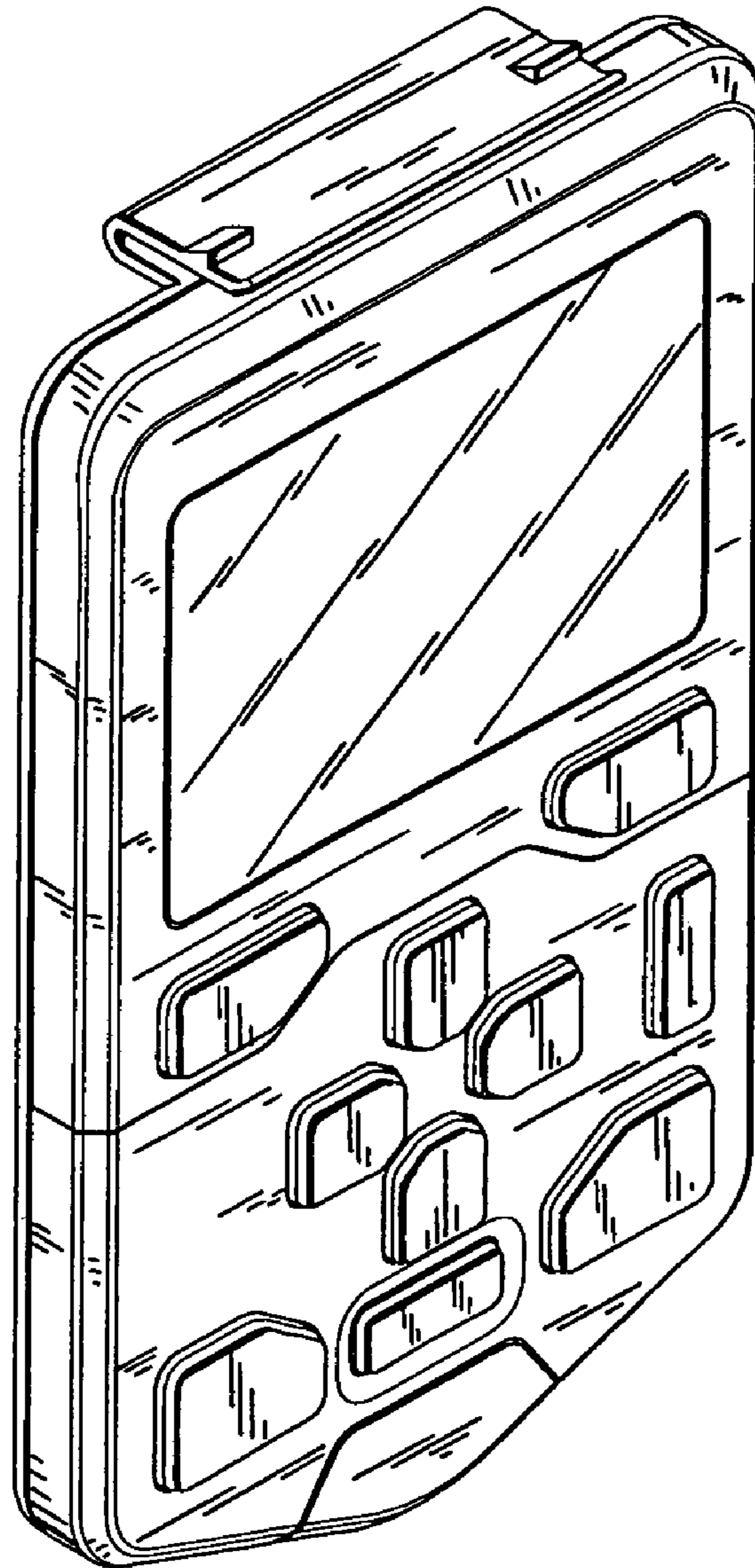


FIGURE 1

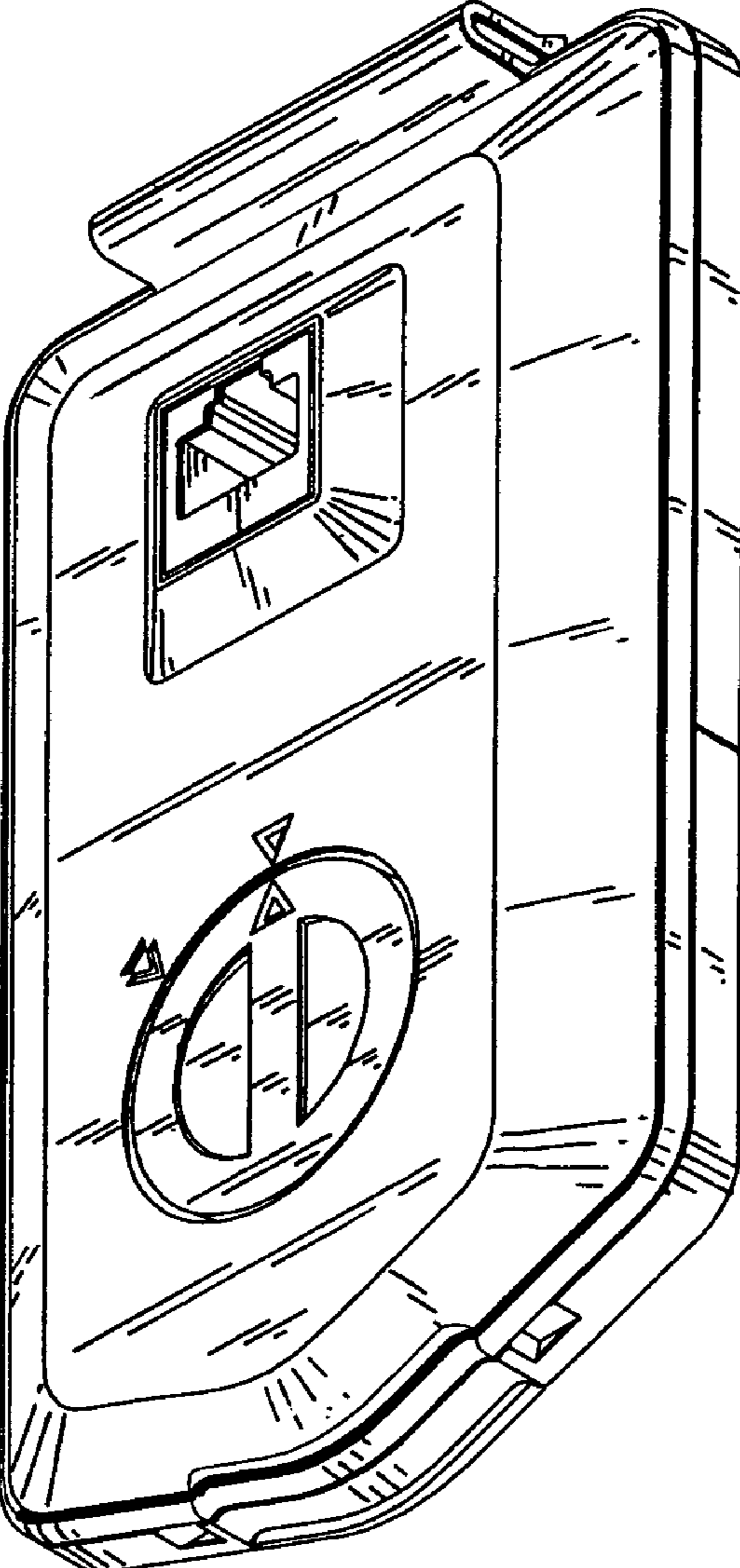


FIGURE 2

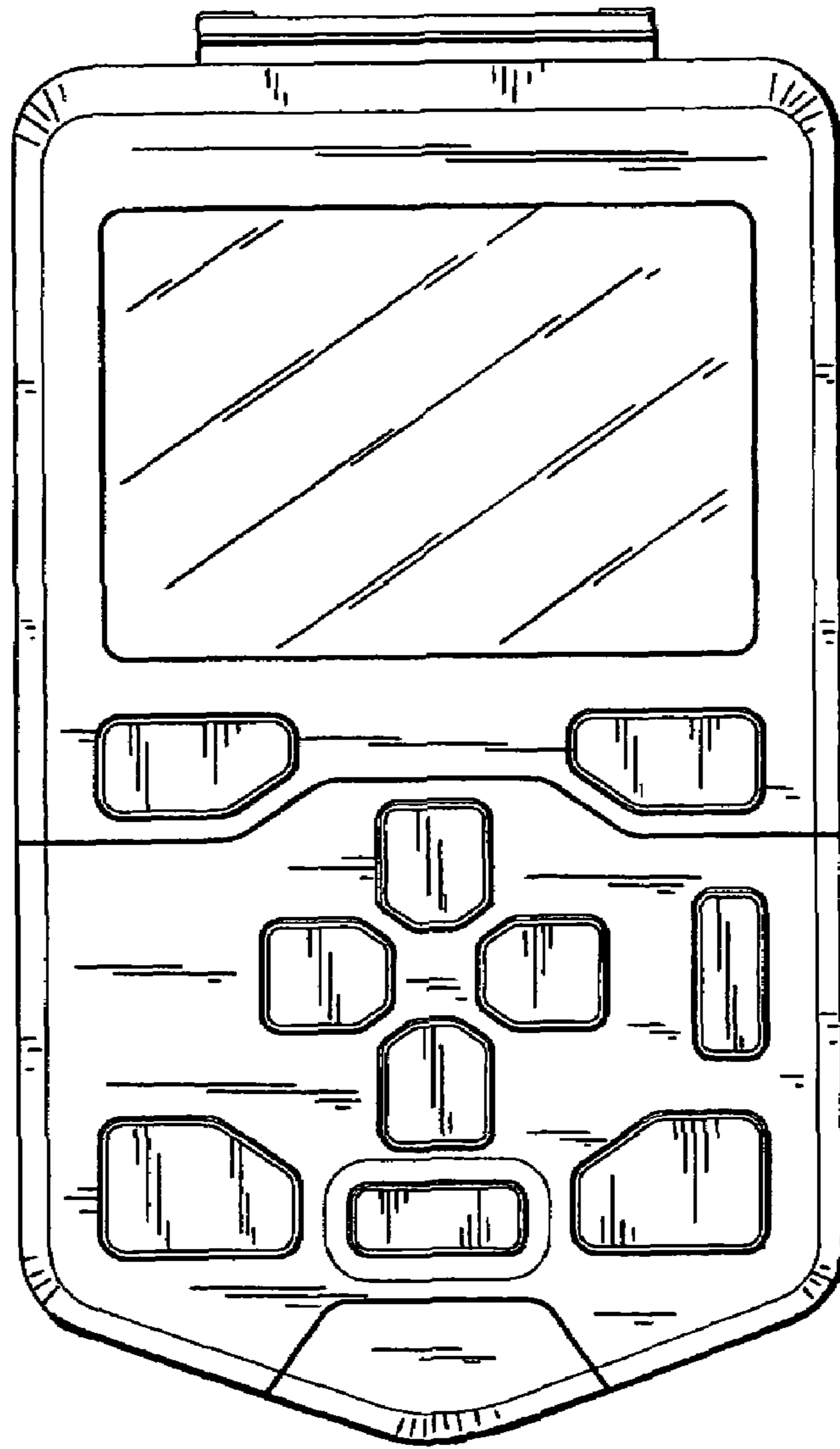


FIGURE 3

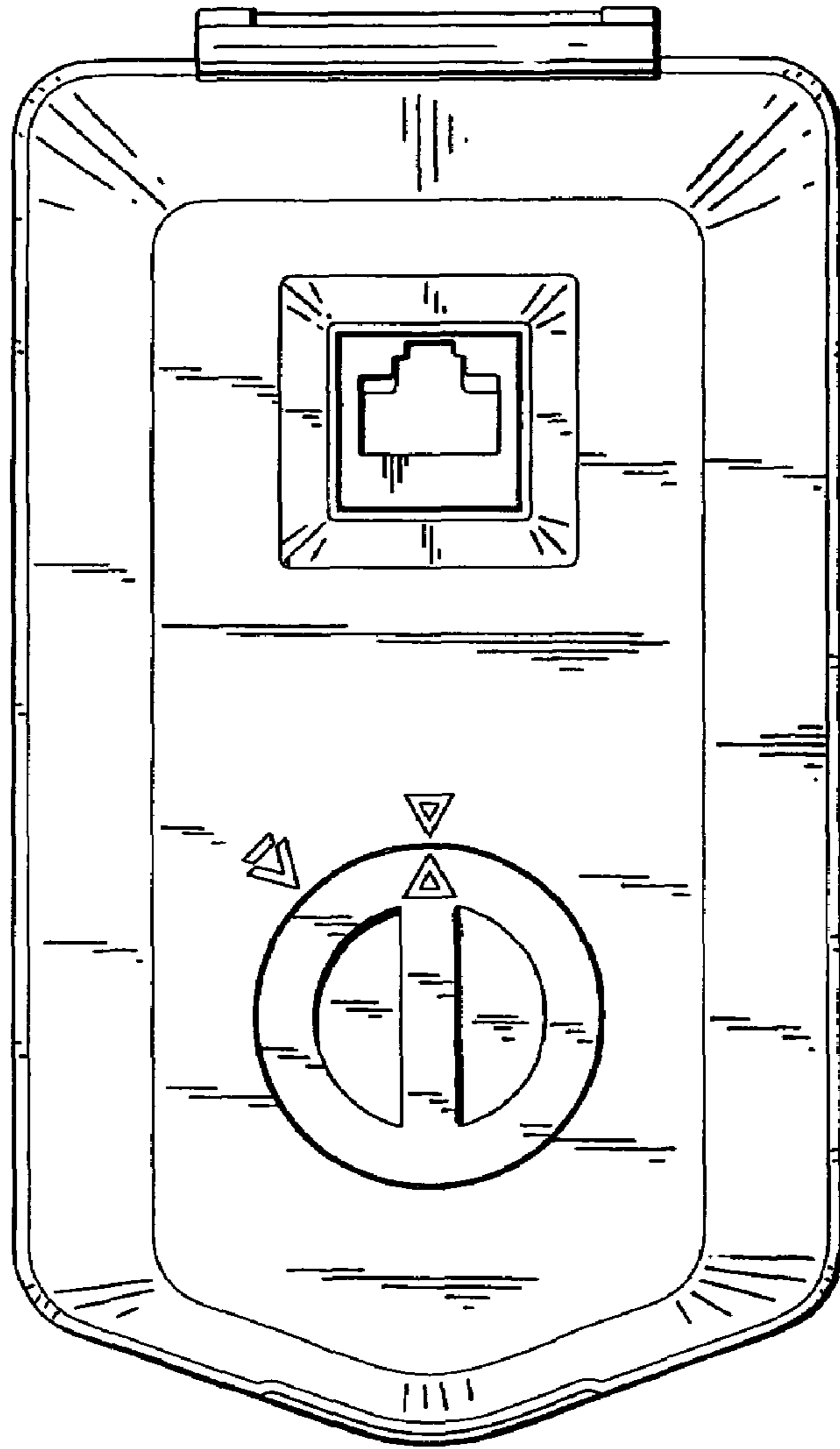


FIGURE 4

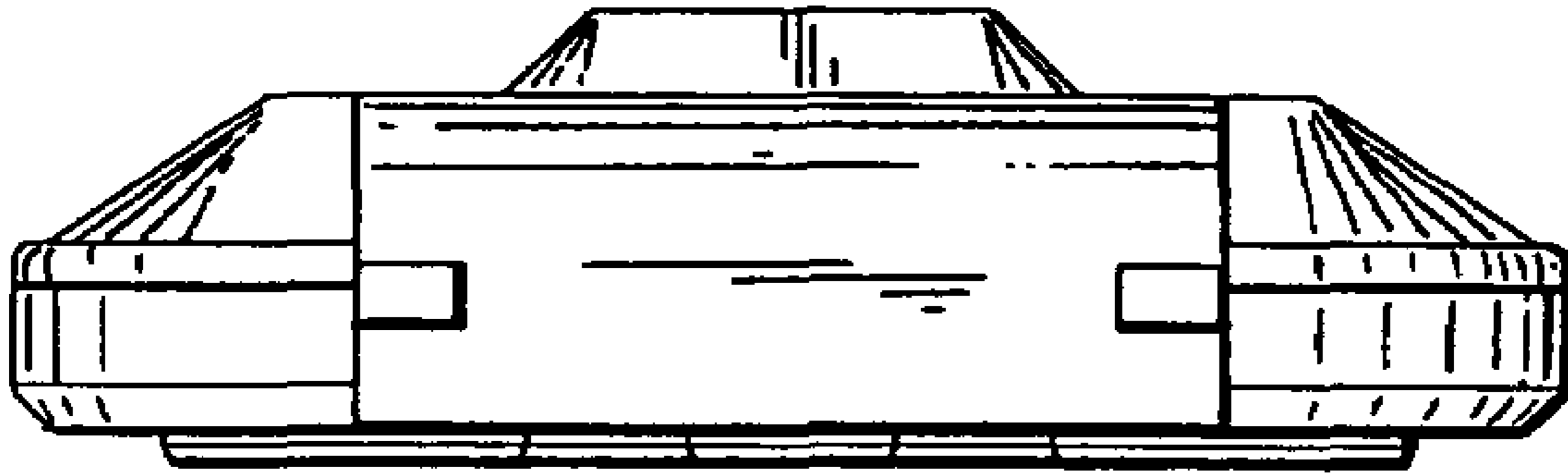


FIGURE 5

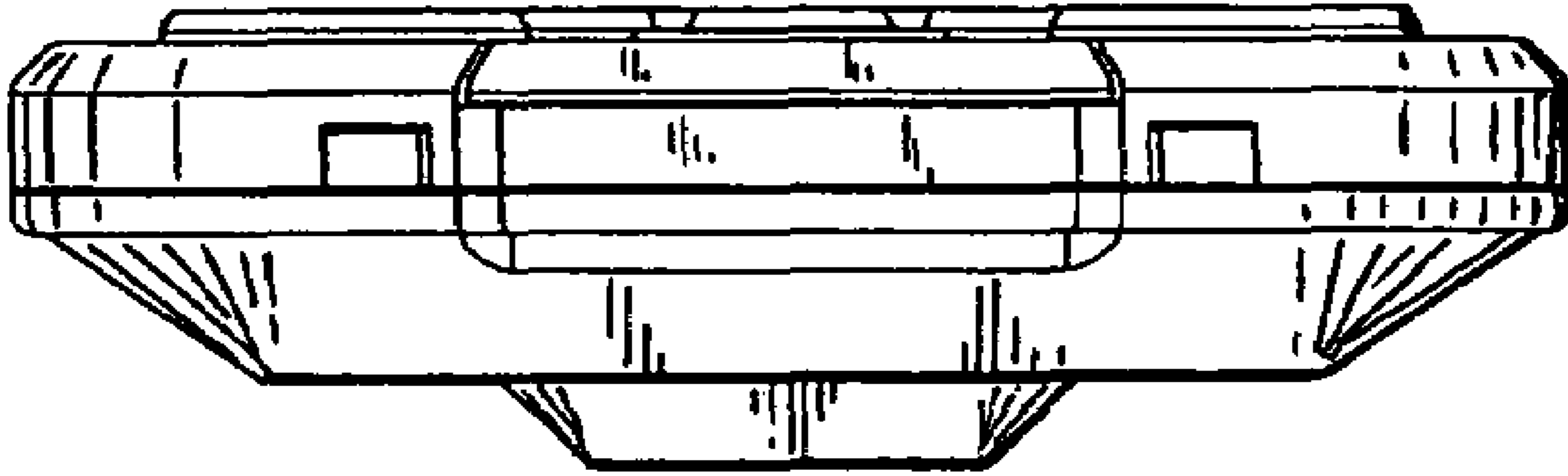


FIGURE 6



FIGURE 7



FIGURE 8

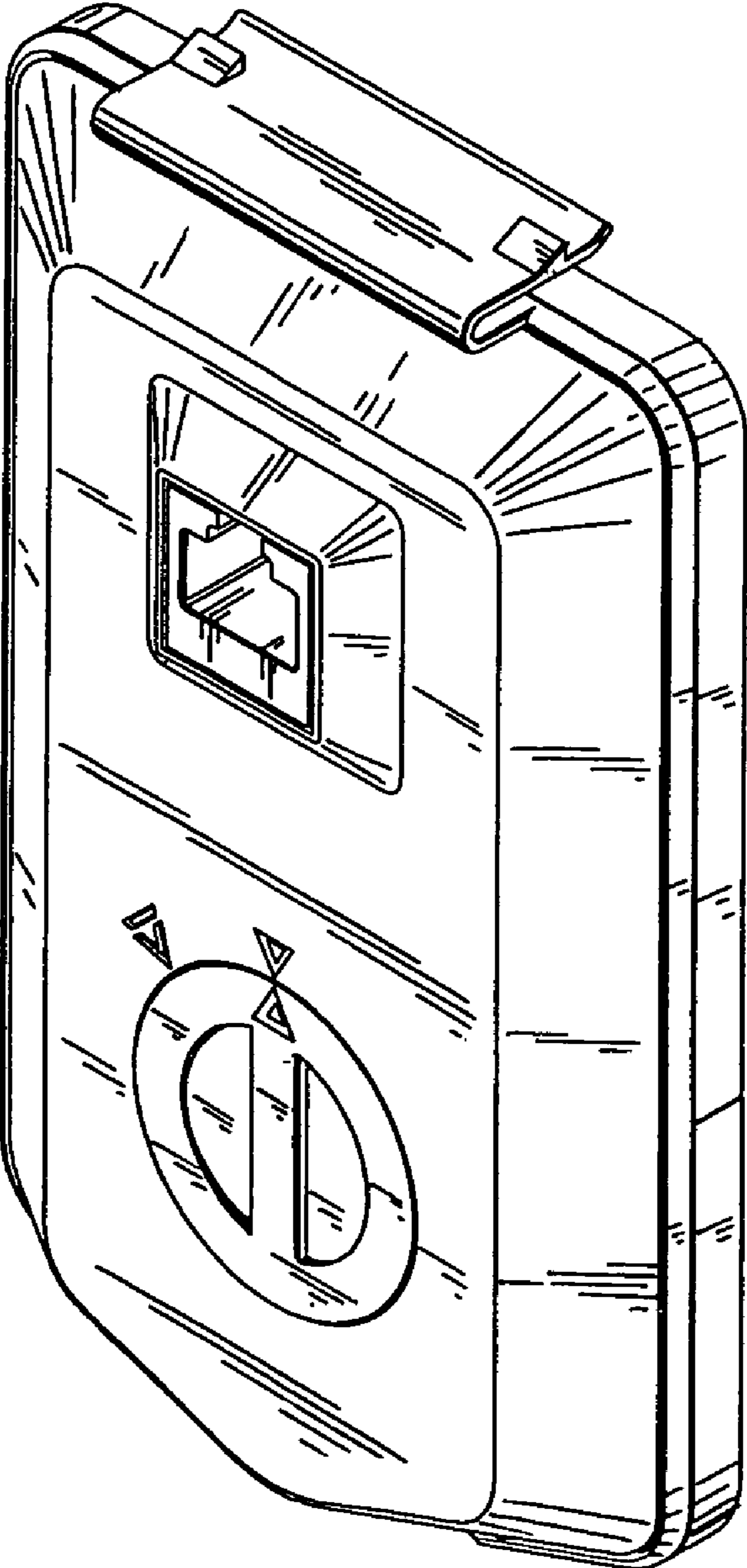


FIGURE 9

UNITED STATES PATENT AND TRADEMARK OFFICE
CERTIFICATE OF CORRECTION

PATENT NO. : Des. 610,553 S
APPLICATION NO. : 29/311886
DATED : February 23, 2010
INVENTOR(S) : Marjukka Eeva-Ritva Mäkelä

Page 1 of 1

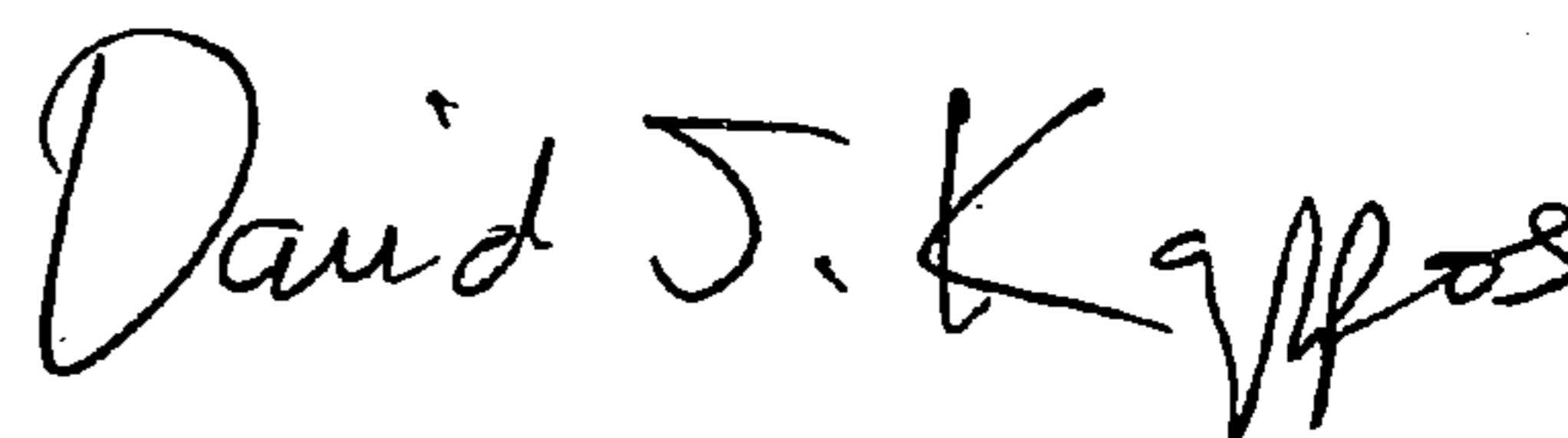
It is certified that error appears in the above-identified patent and that said Letters Patent is hereby corrected as shown below:

Title page, item (30) Foreign Application Priority Data should read as follows:

Jan. 26, 2009 (EM)001082267-0001

Signed and Sealed this

Twenty-second Day of June, 2010



David J. Kappos
Director of the United States Patent and Trademark Office