



US00D610552S

(12) **United States Design Patent**  
**Azzola et al.**

(10) **Patent No.:** **US D610,552 S**  
(45) **Date of Patent:** **\*\* Feb. 23, 2010**

(54) **ELECTRICAL CIRCUIT BREAKER**

(75) Inventors: **Lucio Azzola**, Bergamo (IT); **Giovanni Frassinetti**, Bergamo (IT)

(73) Assignee: **ABB S.p.A.**, Milan (IT)

(\*\*) Term: **14 Years**

(21) Appl. No.: **29/336,192**

(22) Filed: **Apr. 29, 2009**

**Related U.S. Application Data**

(60) Division of application No. 29/320,948, filed on Jul. 8, 2008, now Pat. No. Des. 593,506, which is a division of application No. 29/279,316, filed on Apr. 26, 2007, now Pat. No. Des. 576,111, which is a continuation of application No. 29/250,292, filed on Nov. 9, 2006, now Pat. No. Des. 551,629, which is a division of application No. 29/188,211, filed on Aug. 15, 2003, now Pat. No. Des. 535,626.

**Foreign Application Priority Data**

(30) Feb. 20, 2003 (IT) ..... BG2003O0002

(51) **LOC (9) Cl.** ..... **13-03**

(52) **U.S. Cl.** ..... **D13/160**

(58) **Field of Classification Search** ..... D13/160;  
200/43.14, 50.01, 50.21-50.23, 51 R, 293,  
200/400, 401; 361/42, 44, 45, 50, 71, 115,  
361/608, 634

See application file for complete search history.

**References Cited**

**U.S. PATENT DOCUMENTS**

D319,627 S	9/1991	Smith et al.
5,296,664 A	3/1994	Crookston et al.
D359,948 S	7/1995	Merlin
5,587,570 A	12/1996	Kelaita, Jr. et al.

5,610,375 A	3/1997	Sinthomez
6,008,459 A	12/1999	Faber et al.
6,078,017 A	6/2000	Blessitt et al.
D442,146 S	5/2001	Greenberg et al.
6,361,848 B1	3/2002	Katsube et al.
6,512,433 B1	1/2003	Bouchard et al.
D498,464 S	11/2004	Kim
D499,700 S	12/2004	Raabe et al.
D499,701 S	12/2004	Kim
D506,185 S	6/2005	Kim
D535,626 S	1/2007	Azzola et al.
D547,729 S	7/2007	Azzola et al.
D547,730 S	7/2007	Azzola et al.
D551,629 S	9/2007	Azzola et al.
D576,111 S	9/2008	Azzola et al.
D585,839 S *	2/2009	Azzola et al. .... D13/160
D587,658 S *	3/2009	Azzola et al. .... D13/160
D593,506 S *	6/2009	Azzola et al. .... D13/160
2001/0022713 A1	9/2001	Gimenez et al.
2001/0025773 A1	10/2001	Rane et al.
2004/0045796 A1	3/2004	Azzola et al.
2005/0109597 A1	5/2005	Etscheidt et al.

\* cited by examiner

*Primary Examiner*—Selina Sikder

(74) *Attorney, Agent, or Firm*—Connolly Bove Lodge & Hutz LLP

(57) **CLAIM**

We claim the ornamental design for an electrical circuit breaker, as shown and described.

**DESCRIPTION**

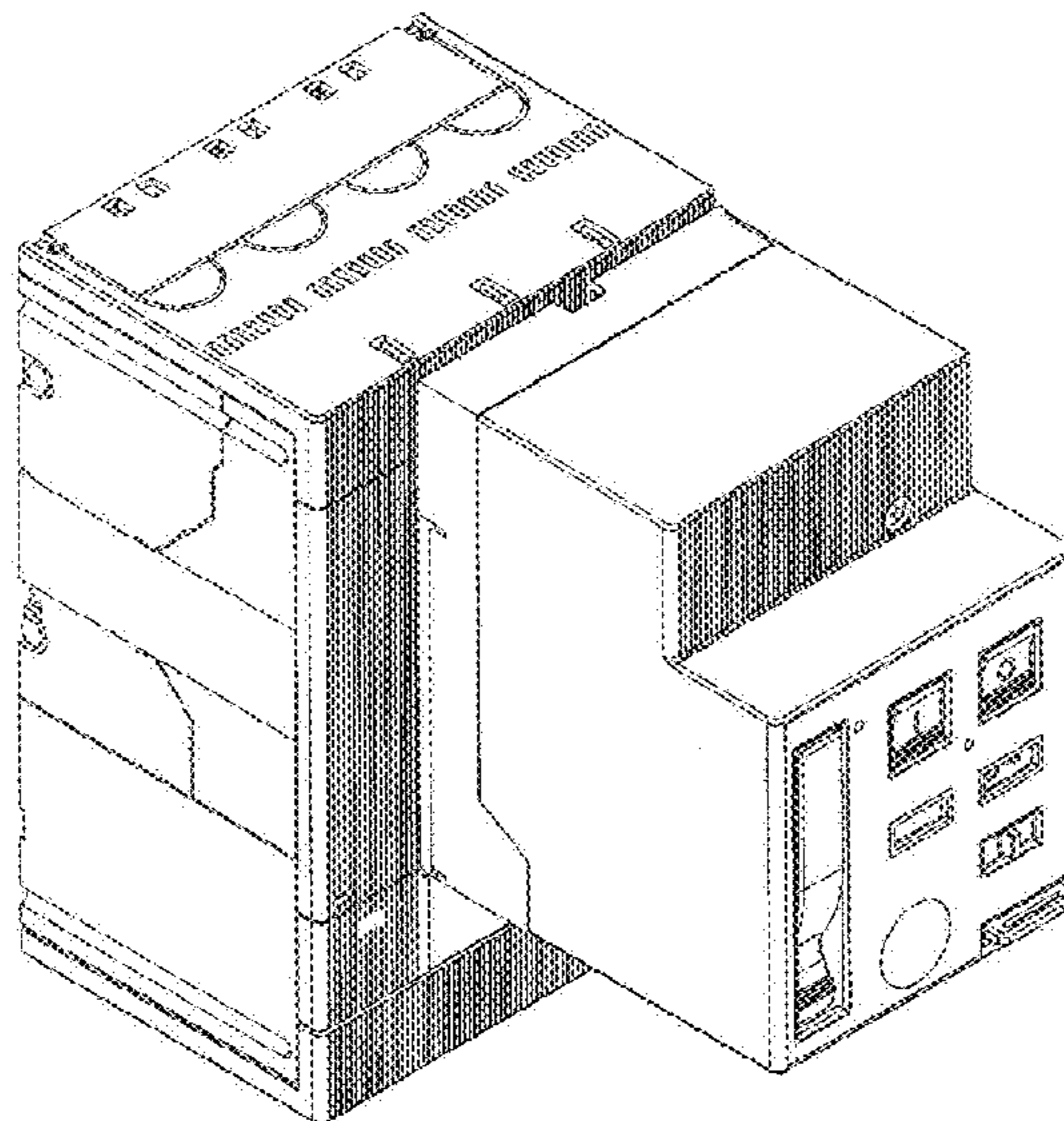
FIG. 1 is a perspective view of the electrical circuit breaker showing our new design;

FIG. 2 is a front elevational view thereof;

FIG. 3 is a side elevational view thereof; and,

FIG. 4 is a top view thereof.

**1 Claim, 4 Drawing Sheets**



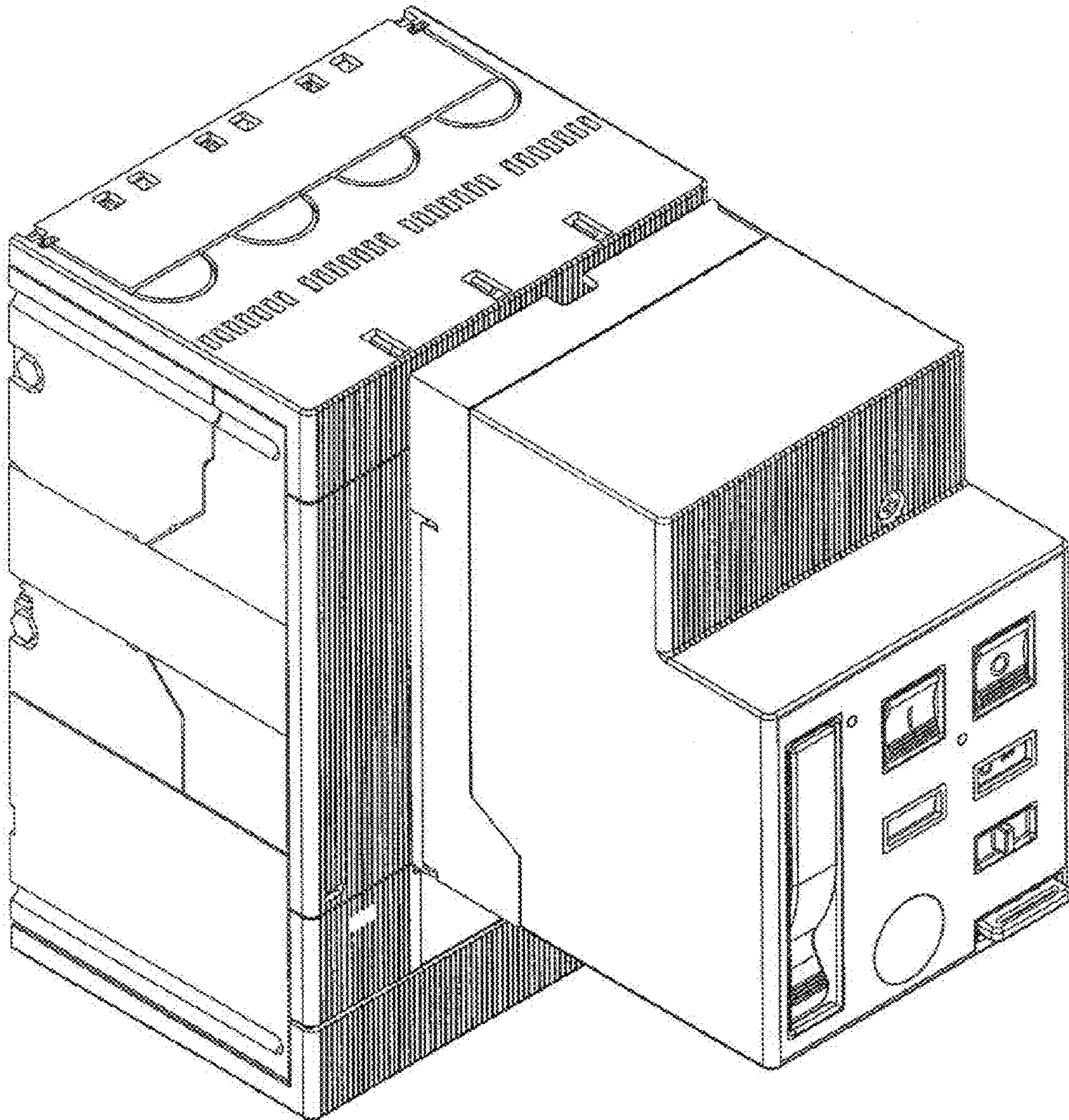


Fig. 1



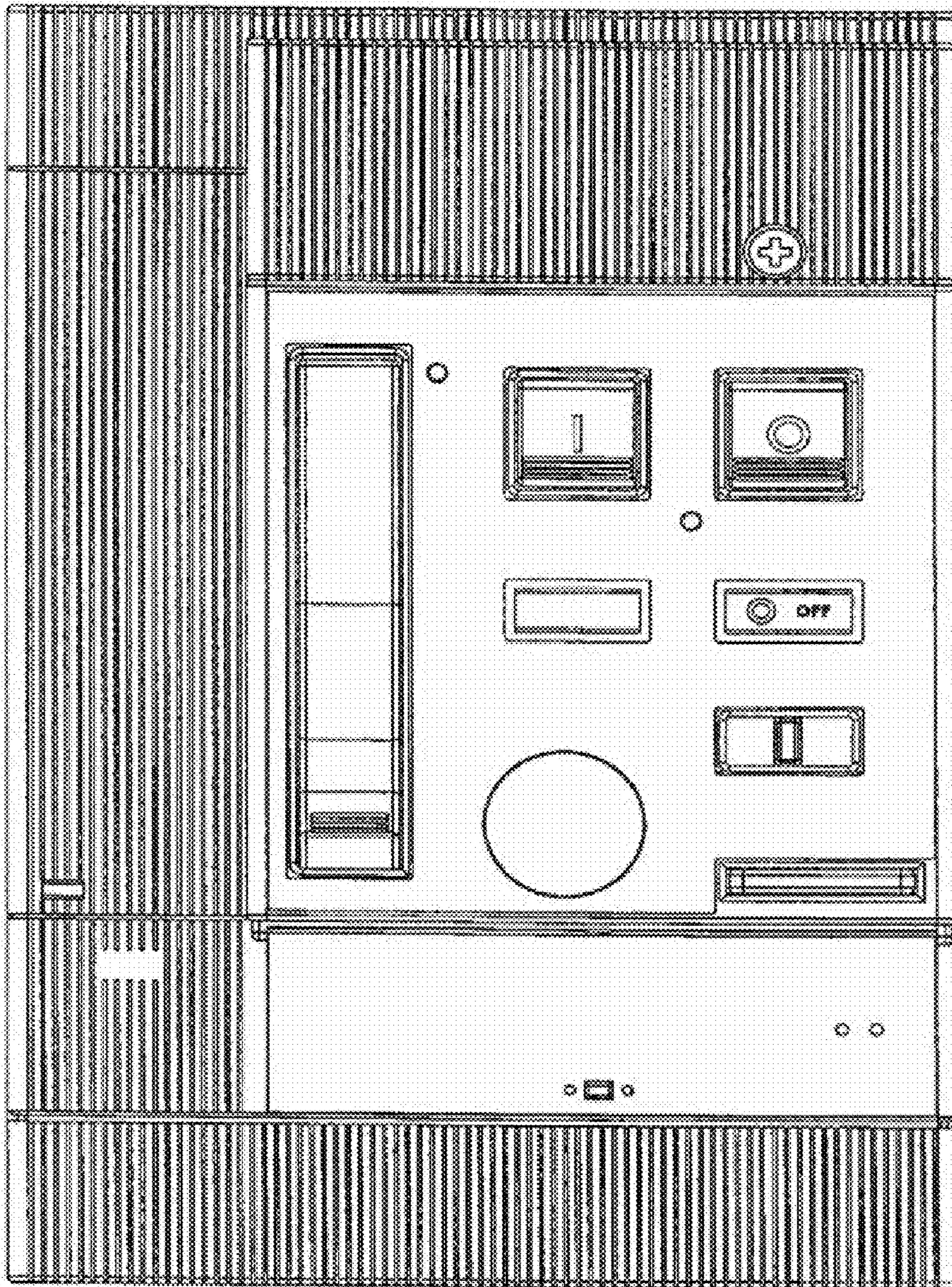
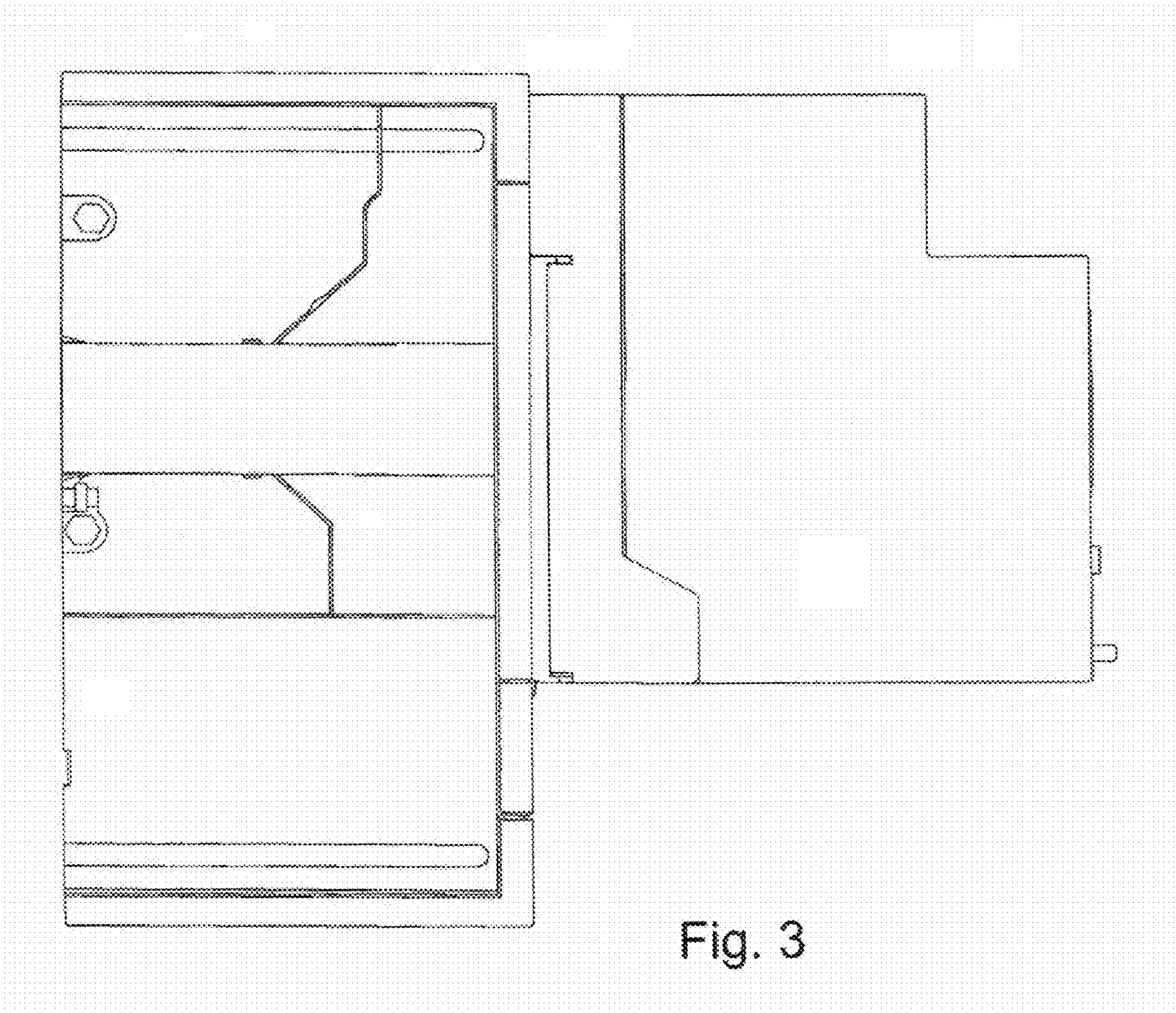


Fig. 2





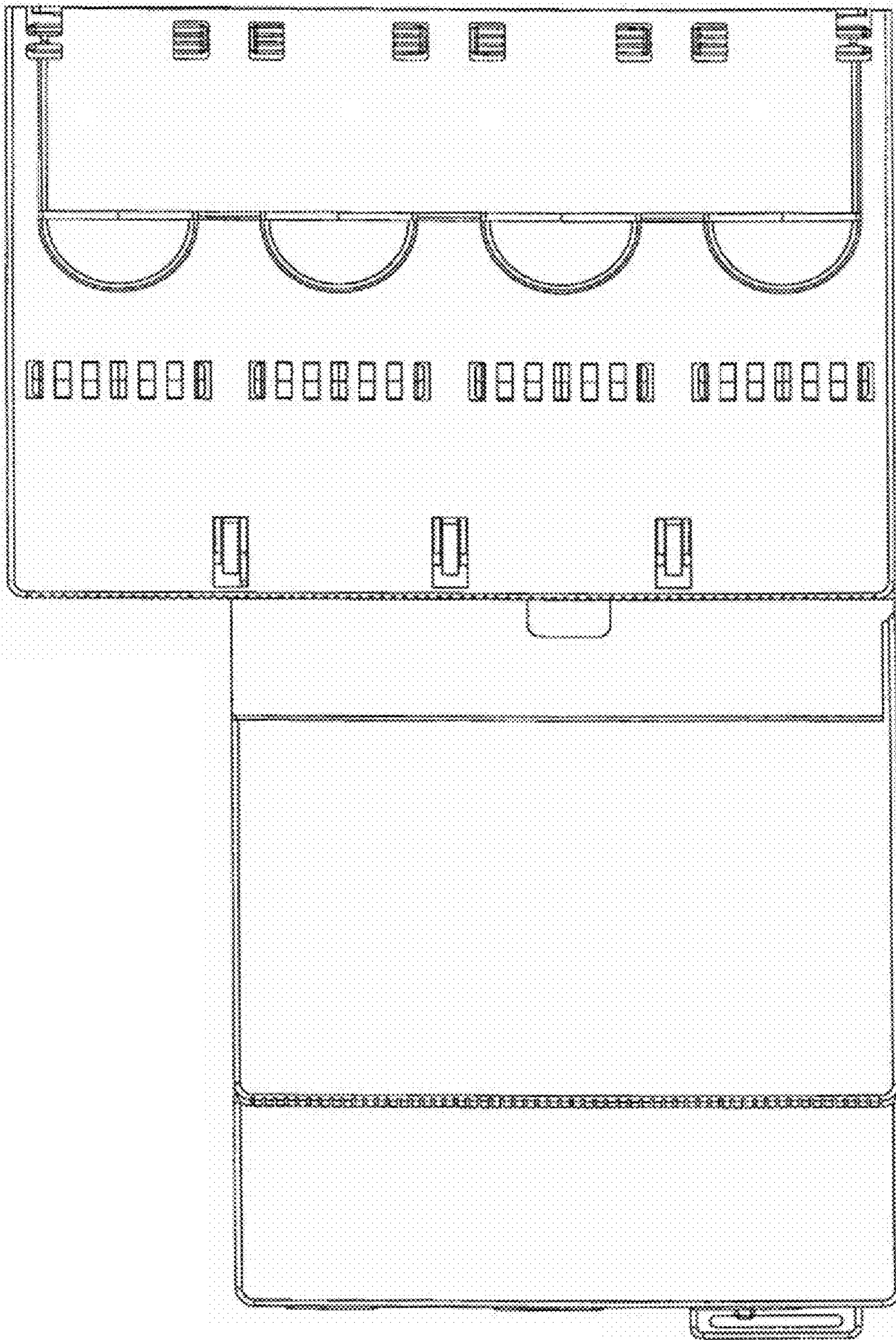


Fig. 4