



US00D610551S

(12) **United States Design Patent**
Mao et al.

(10) **Patent No.:** **US D610,551 S**

(45) **Date of Patent:** **** Feb. 23, 2010**

(54) **CABLE CONNECTOR**

(75) Inventors: **Yu-Hua Mao**, Kunshan (CN); **Zhi-Hong Fang**, Kunshan (CN); **Fa-Chun Wang**, Kunshan (CN)

(73) Assignee: **Hon Hai Precision Ind. Co., Ltd.**, Taipei Hsien (TW)

(**) Term: **14 Years**

(21) Appl. No.: **29/336,470**

(22) Filed: **May 5, 2009**

(30) **Foreign Application Priority Data**

Nov. 5, 2008 (CN) 2008 3 0297536

(51) **LOC (9) Cl.** **13-03**

(52) **U.S. Cl.** **D13/154**

(58) **Field of Classification Search** D13/133,
D13/146-147, 153, 154, 184, 199; 439/79,
439/83, 108, 607-610, 660, 676-677, 680,
439/686

See application file for complete search history.

(56) **References Cited**

U.S. PATENT DOCUMENTS

D521,938 S * 5/2006 Nishio et al. D13/147
D551,626 S * 9/2007 Ho et al. D13/147

D556,690 S * 12/2007 Ikegami D13/147
D563,899 S * 3/2008 Goetz et al. D13/154
D568,823 S * 5/2008 Ashida et al. D13/154

* cited by examiner

Primary Examiner—Daniel D Bui

(74) *Attorney, Agent, or Firm*—Andrew C. Cheng; Wei Te Chung; Ming Chieh Chang

(57) **CLAIM**

The ornamental design for a cable connector, as shown and described.

DESCRIPTION

FIG. 1 is a front, top and right side perspective view of a cable connector showing our new design;

FIG. 2 is a front elevational view thereof;

FIG. 3 is a rear elevational view thereof;

FIG. 4 is a left side elevational view thereof;

FIG. 5 is a right side elevational view thereof;

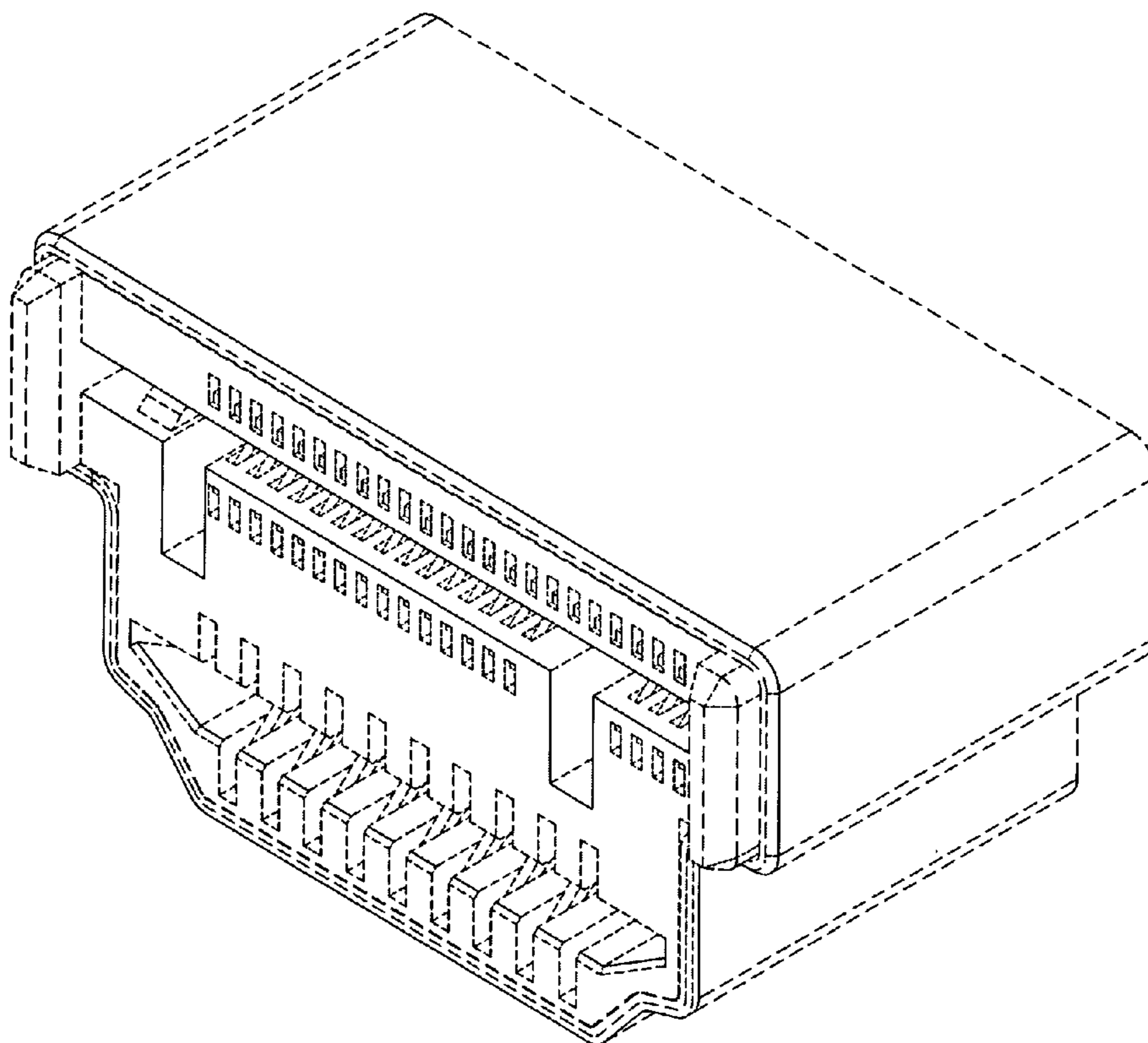
FIG. 6 is a top plan view thereof;

FIG. 7 is a bottom plan view thereof; and,

FIG. 8 is an enlarged view of FIG. 2.

The broken lines showing of the environment are for illustrative purposes only and form no part of the claimed design.

1 Claim, 8 Drawing Sheets



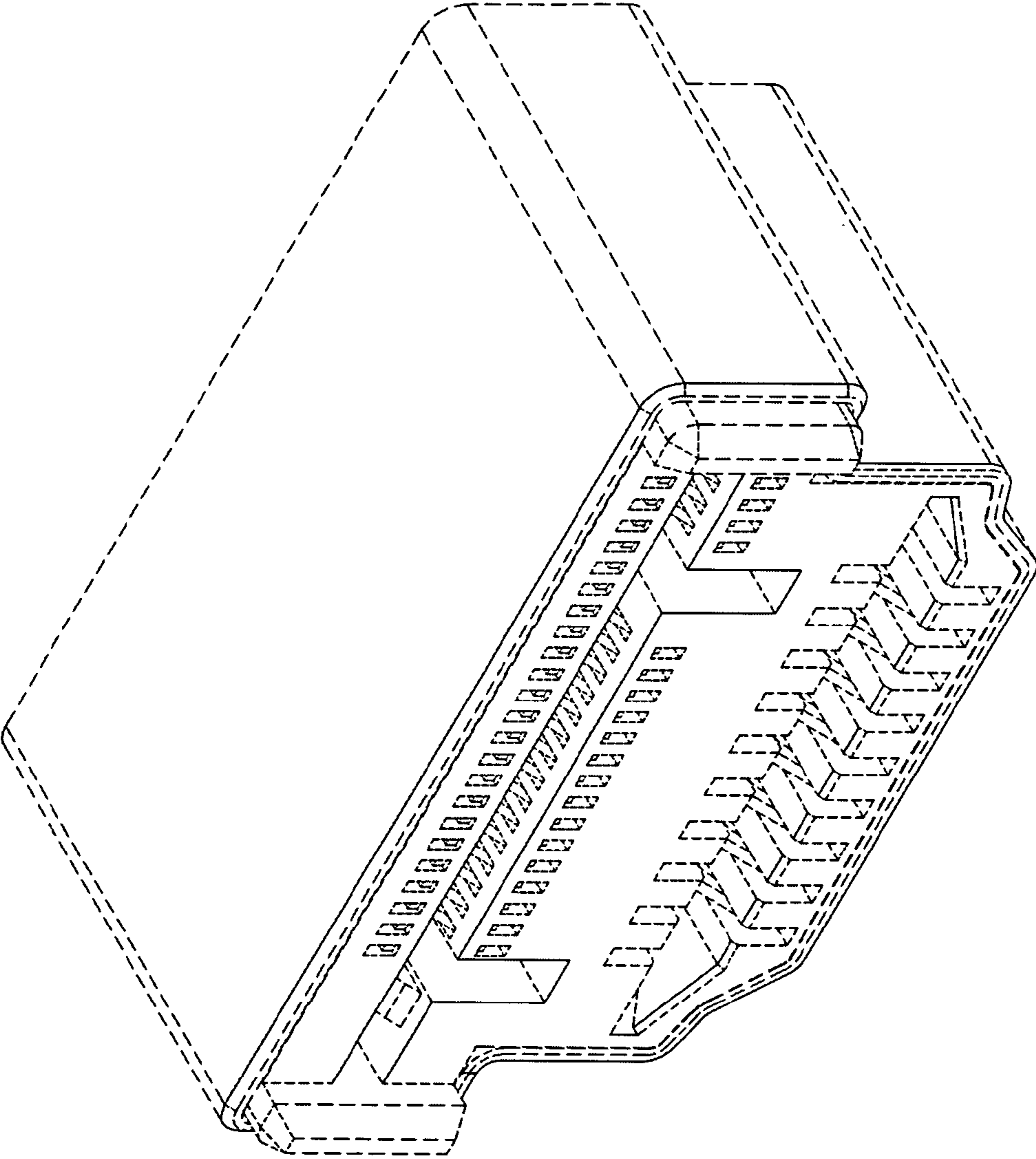


FIG. 1

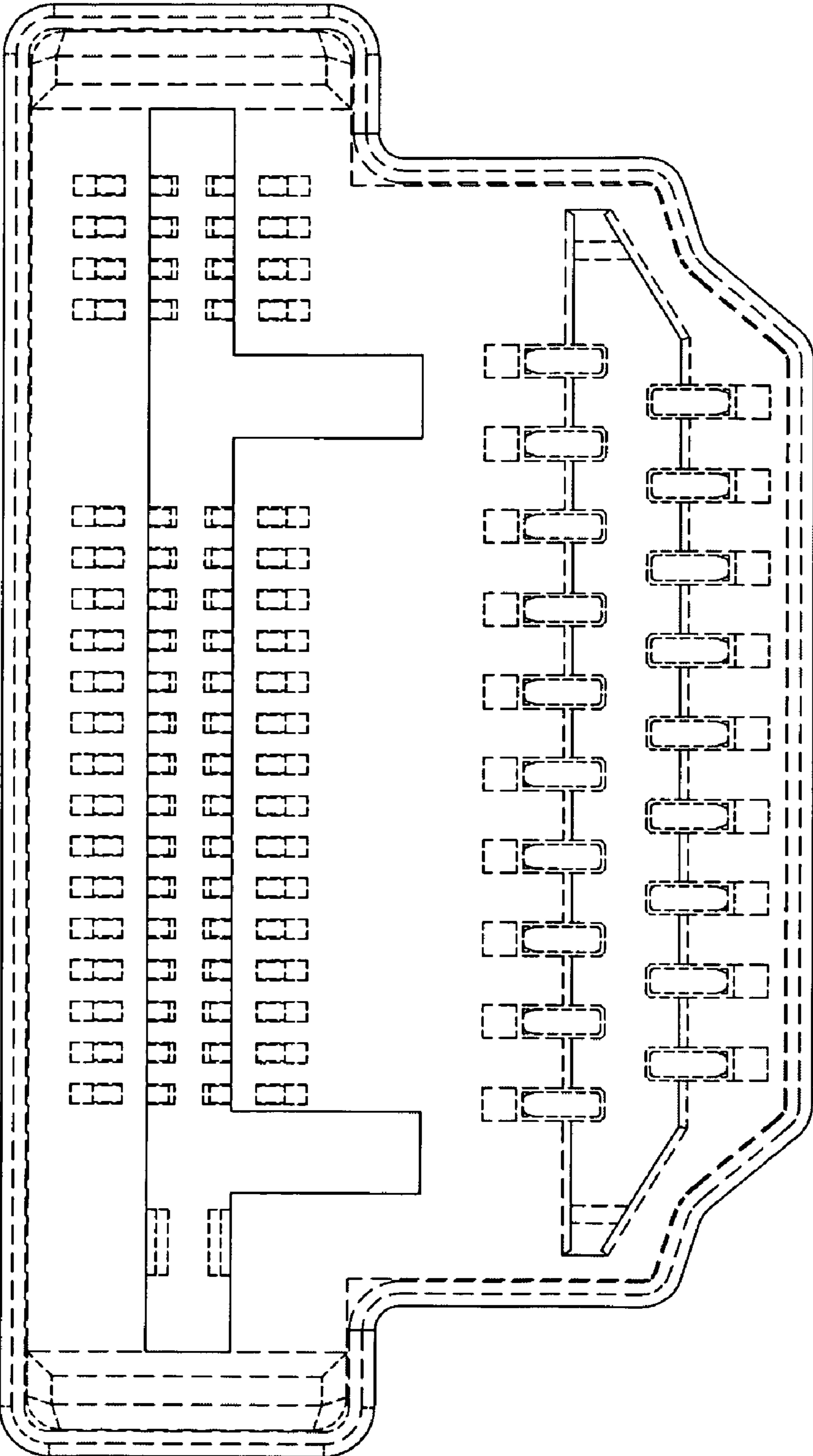


FIG. 2

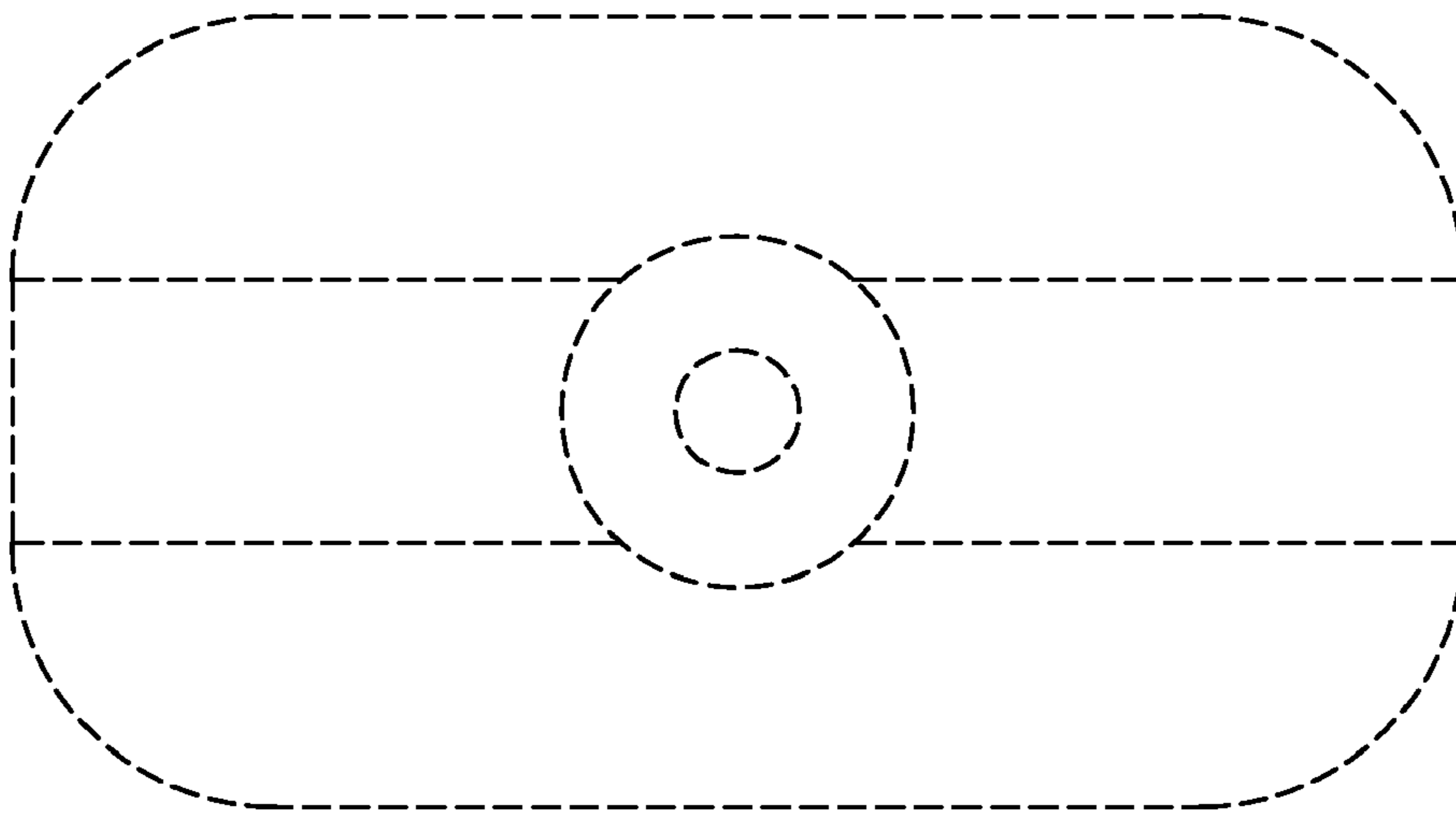


FIG. 3

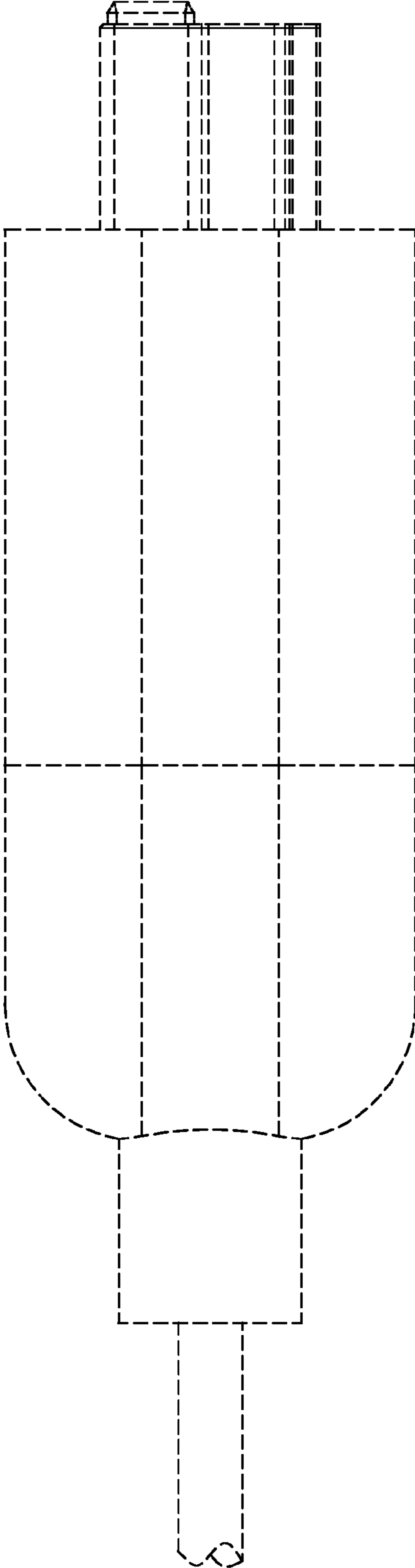


FIG. 4

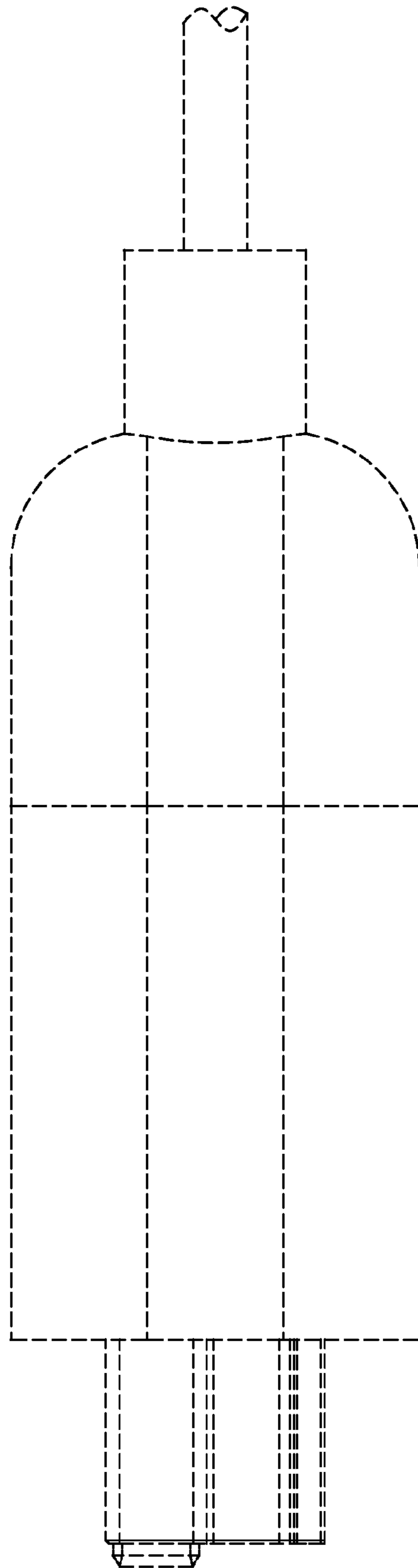


FIG. 5

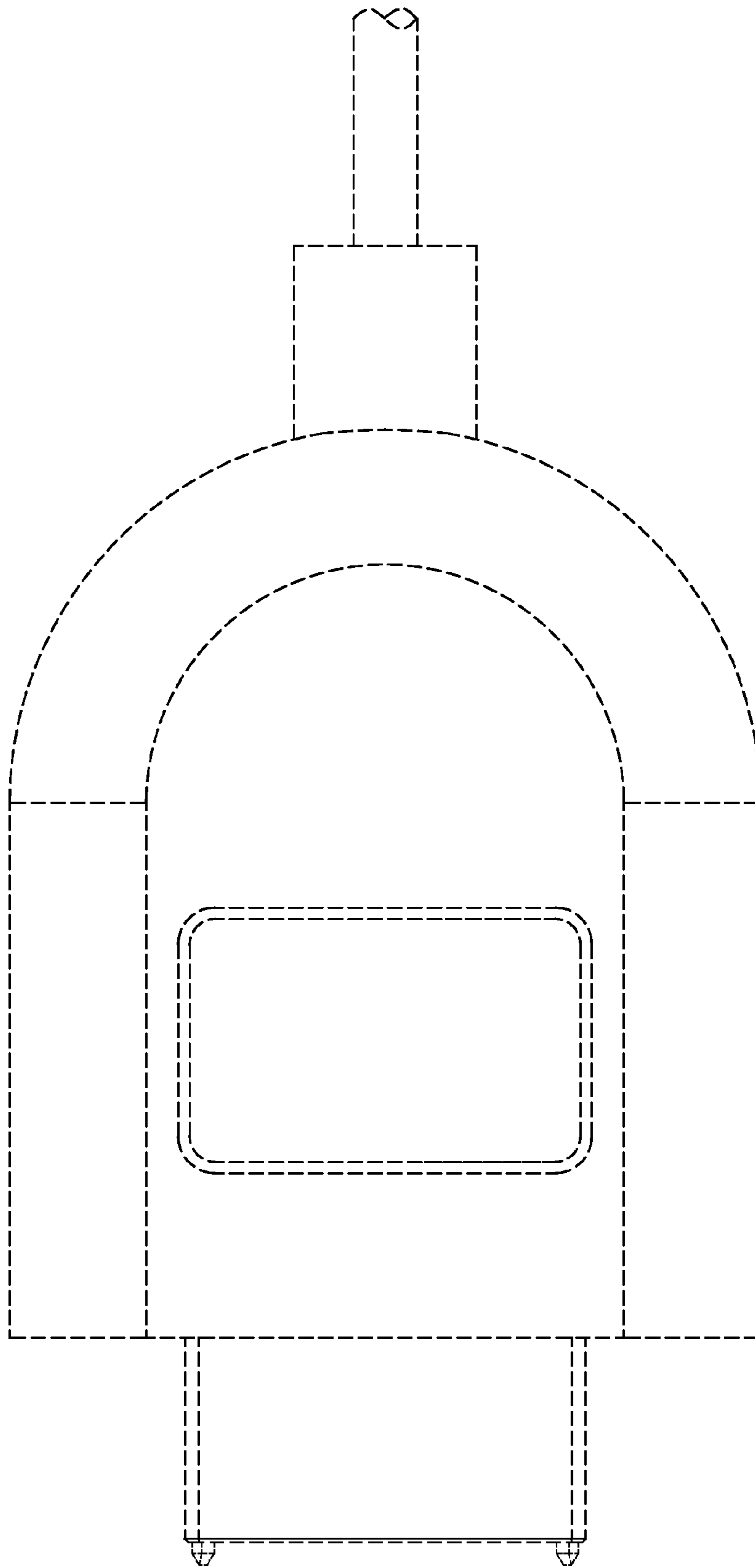


FIG. 6

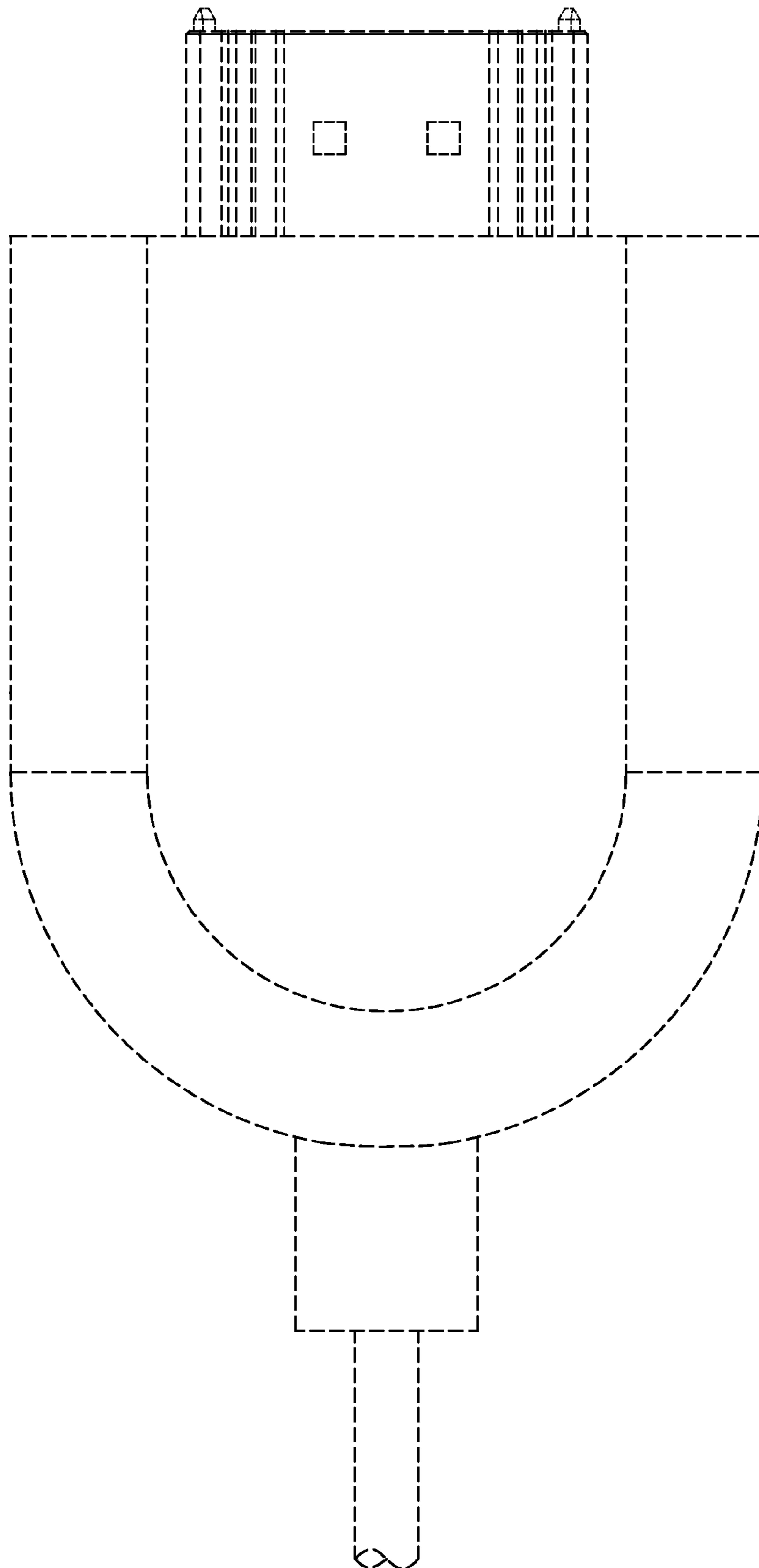


FIG. 7

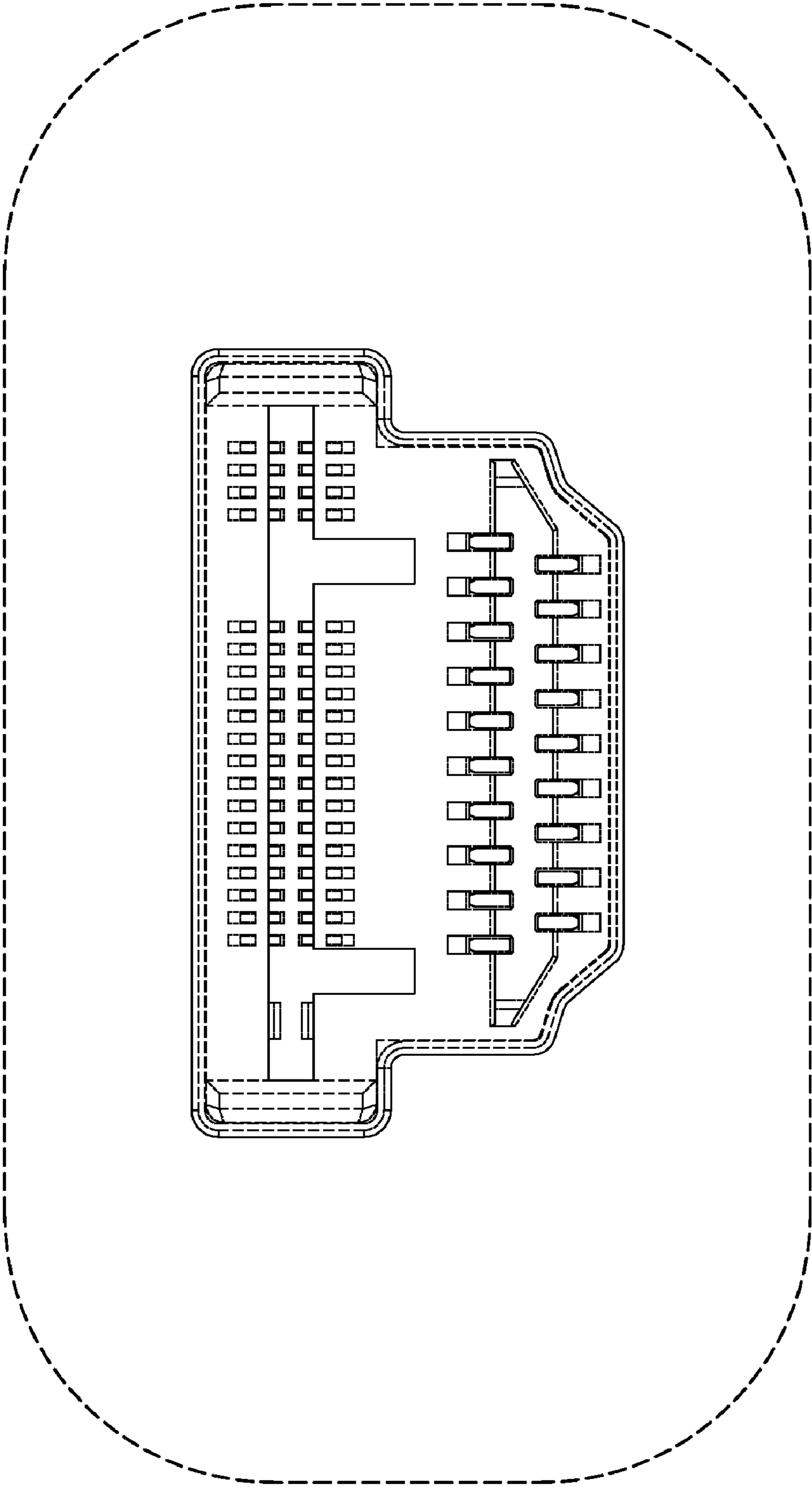


FIG. 8