



US00D610550S

(12) **United States Design Patent**  
**Iino et al.**

(10) **Patent No.:** **US D610,550 S**  
(45) **Date of Patent:** **\*\* Feb. 23, 2010**

(54) **ELECTRICAL CONNECTOR**

(75) Inventors: **Koichi Iino**, Yokohama (JP); **Guo-Jian Shen**, Kunshan (CN)

(73) Assignee: **Hon Hai Precision Ind. Co., Ltd.**,  
Taipei Hsien (TW)

(\*\*) Term: **14 Years**

(21) Appl. No.: **29/307,603**

(22) Filed: **Apr. 29, 2008**

**Related U.S. Application Data**

(63) Continuation-in-part of application No. 11/647,790,  
filed on Dec. 28, 2006, now Pat. No. 7,364,464.

(51) **LOC (9) Cl.** ..... **13-03**

(52) **U.S. Cl.** ..... **D13/154; D13/147**

(58) **Field of Classification Search** ..... D13/133,  
D13/146-147, 154, 184; 439/79, 108, 607-610,  
439/660, 668, 680, 682, 686  
See application file for complete search history.

(56) **References Cited**

**U.S. PATENT DOCUMENTS**

D408,788 S \* 4/1999 Homma ..... D13/147  
D465,202 S \* 11/2002 Kubota ..... D13/147  
D481,360 S \* 10/2003 Kuroki et al. .... D13/147

D488,446 S \* 4/2004 Sato ..... D13/147  
D555,103 S \* 11/2007 Iino et al. .... D13/147  
D578,071 S \* 10/2008 Shen et al. .... D13/147  
D595,657 S \* 7/2009 Liu et al. .... D13/147

\* cited by examiner

*Primary Examiner*—Daniel D Bui

(74) *Attorney, Agent, or Firm*—Andrew C. Cheng; Wei Te  
Chung; Ming Chieh Chang

(57) **CLAIM**

The ornamental design for an electrical connector, as shown  
and described.

**DESCRIPTION**

FIG. 1 is a front, top and right side perspective view of an  
electrical connector showing our new design;

FIG. 2 is a front elevational view thereof;

FIG. 3 is a rear elevational view thereof;

FIG. 4 is a left side elevational view thereof;

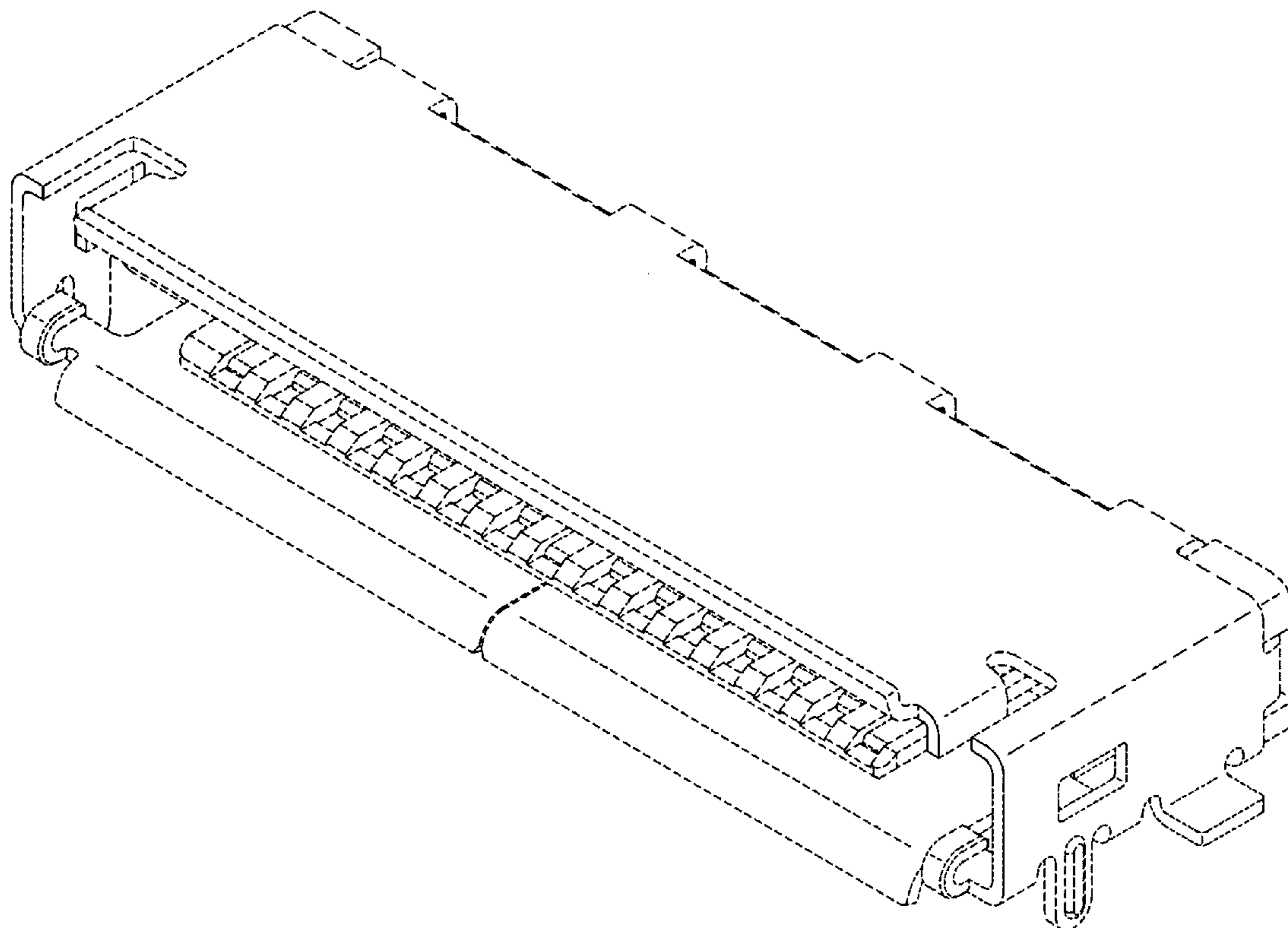
FIG. 5 is a right side elevational view thereof;

FIG. 6 is a top plan view thereof; and,

FIG. 7 is a bottom plan view thereof.

The broken lines showing of the environment are for illustra-  
tive purposes only and form no part of the claimed design.

**1 Claim, 6 Drawing Sheets**



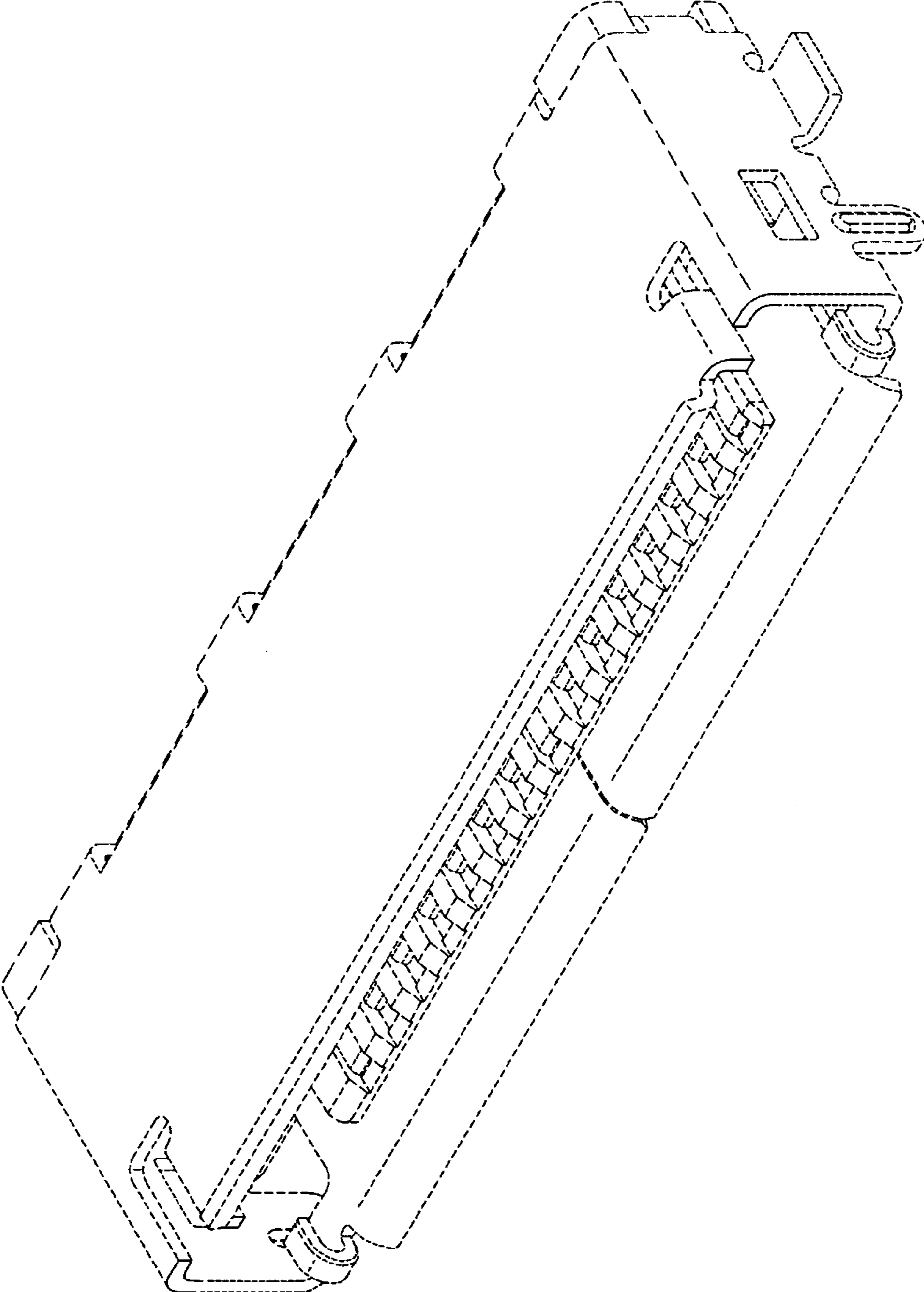


FIG. 1

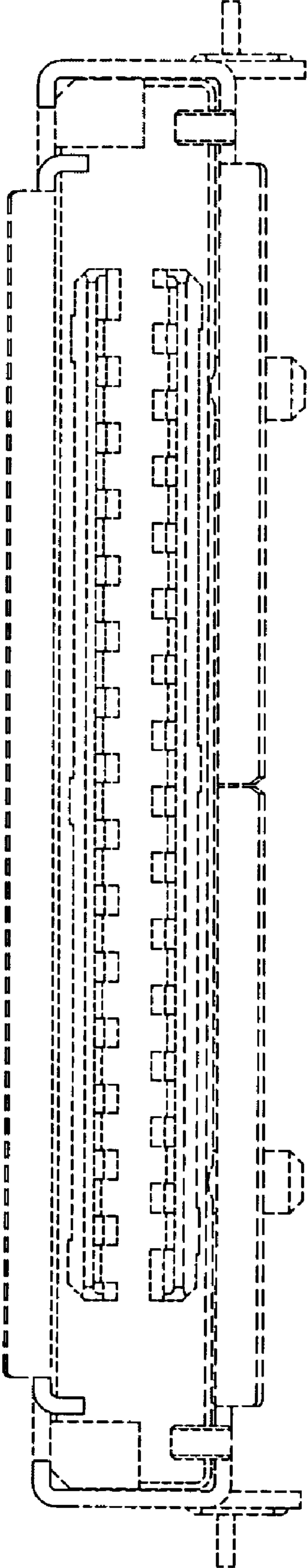


FIG. 2

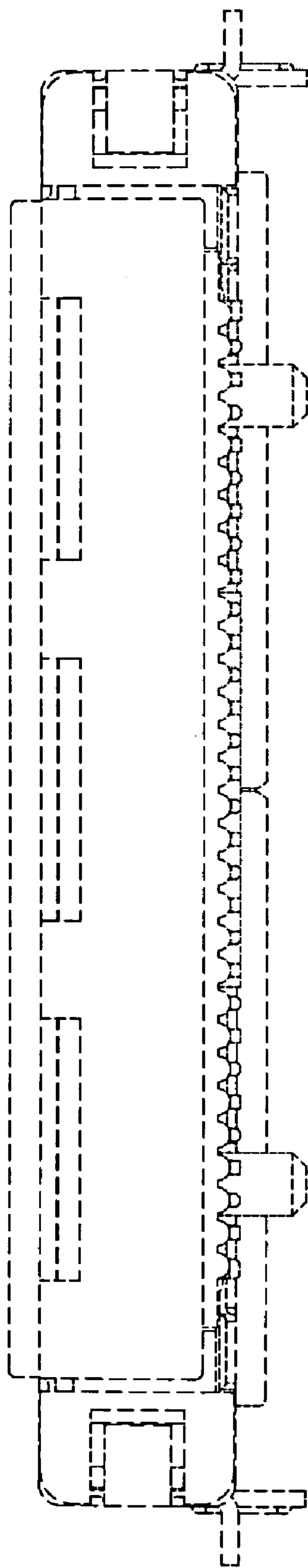


FIG. 3

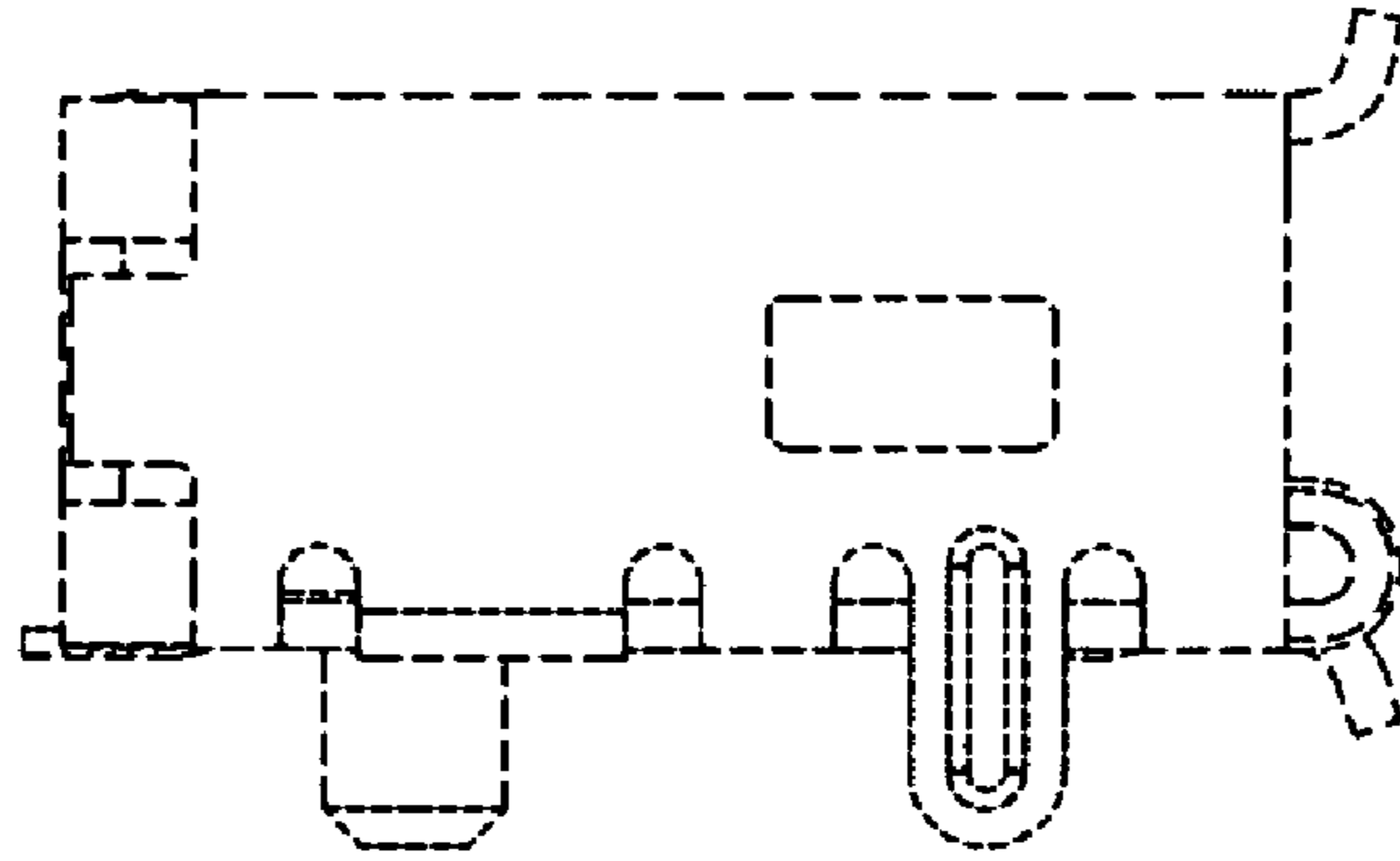


FIG. 4

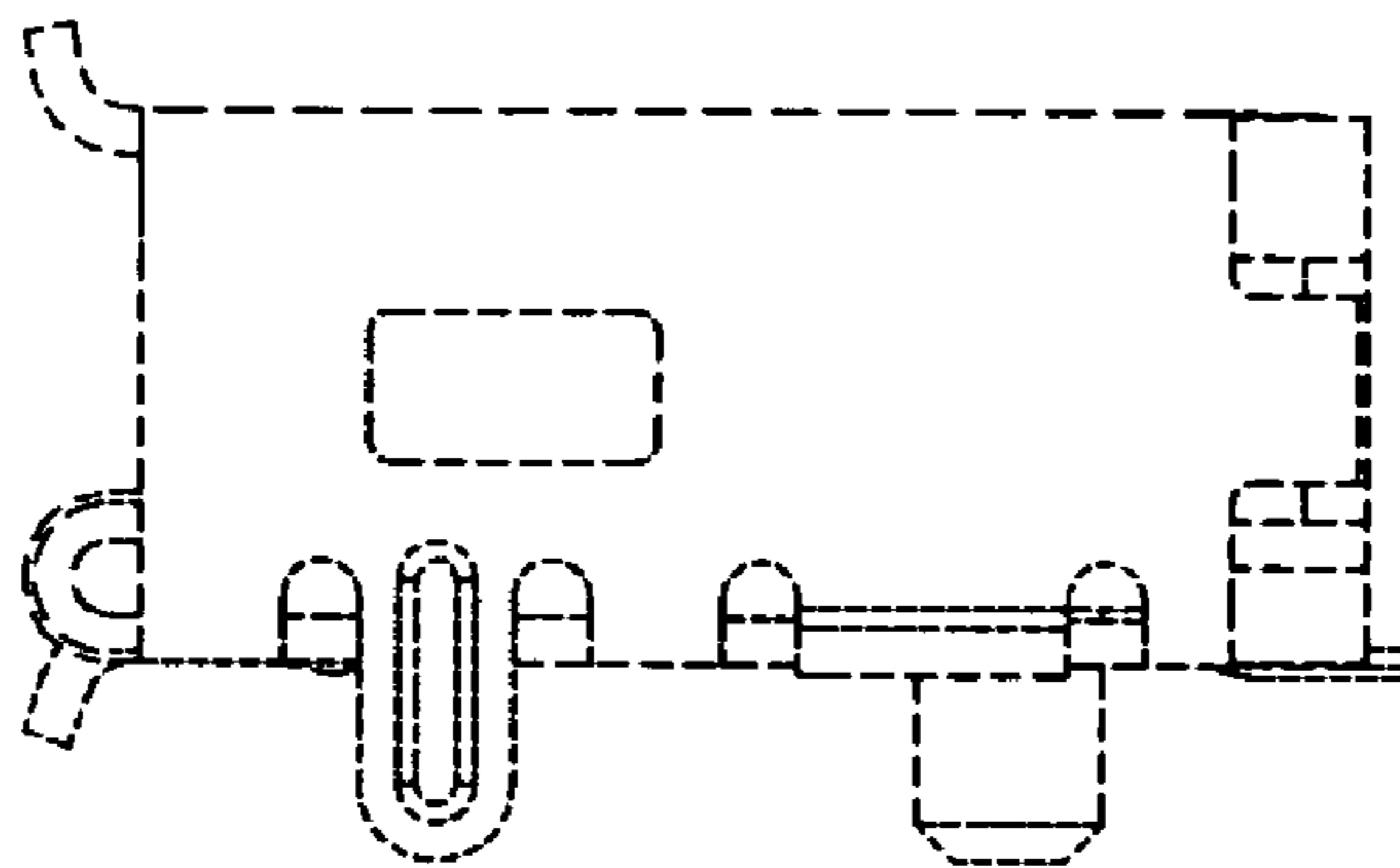


FIG. 5

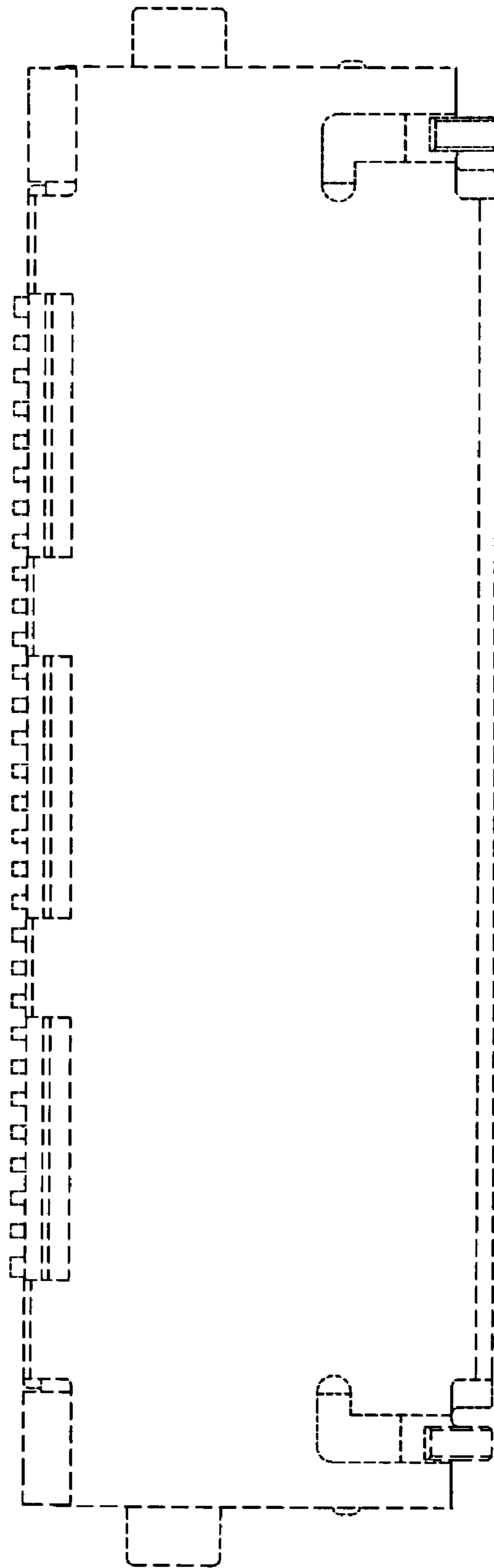


FIG. 6

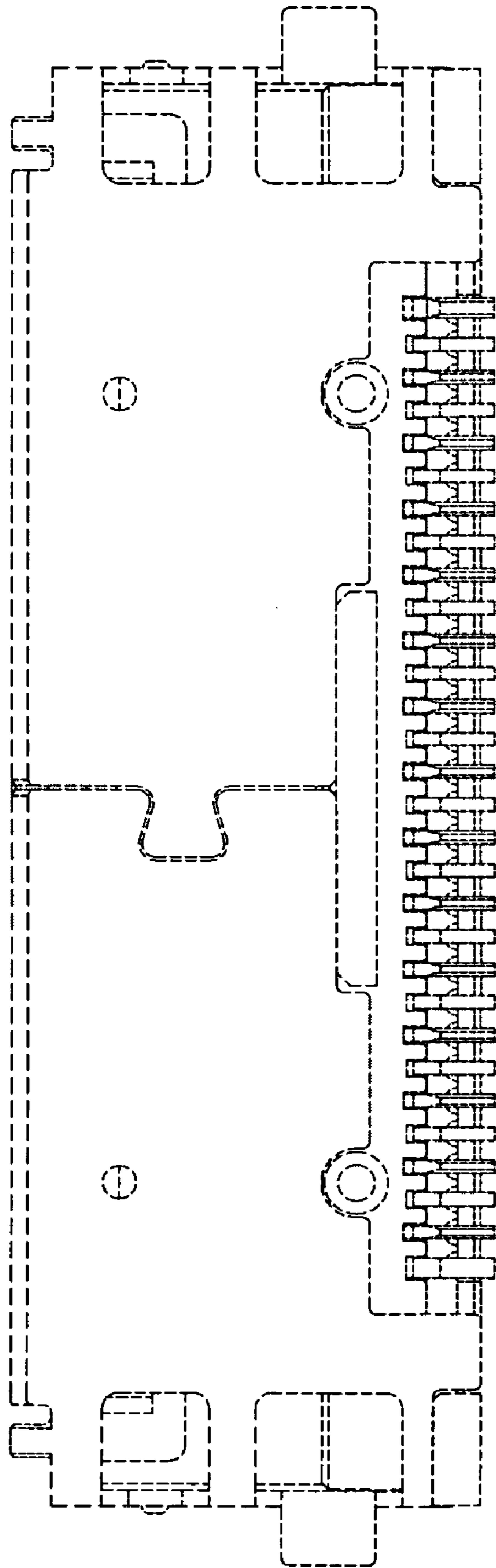


FIG. 7