



US00D610547S

(12) **United States Design Patent**
Zhao et al.

(10) **Patent No.:** **US D610,547 S**

(45) **Date of Patent:** **** Feb. 23, 2010**

(54) **CABLE CONNECTOR ASSEMBLY**

(75) Inventors: **Jing-He Zhao**, KunShan (CN);
Ping-Sheng Su, TuCheng (TW)

(73) Assignee: **Hon Hai Precision Ind. Co., Ltd.**,
Taipei Hsien (TW)

(**) Term: **14 Years**

(21) Appl. No.: **29/314,835**

(22) Filed: **May 4, 2009**

(30) **Foreign Application Priority Data**

Nov. 3, 2008 (CN) 2008 3 0301805

(51) **LOC (9) Cl.** **13-03**

(52) **U.S. Cl.** **D13/147**

(58) **Field of Classification Search** D13/147,
D13/153, 154, 184; 439/359, 362, 607-610,
439/656, 680, 686

See application file for complete search history.

(56) **References Cited**

U.S. PATENT DOCUMENTS

D317,291 S * 6/1991 Esslinger D13/133
D459,703 S * 7/2002 Aldridge D13/147
D460,050 S * 7/2002 Haines et al. D13/147
D468,266 S * 1/2003 Huang D13/147
D503,153 S * 3/2005 Suckle et al. D13/154
D511,501 S * 11/2005 Lee et al. D13/156

D513,408 S * 1/2006 Suckle D13/154
D515,508 S * 2/2006 Lee D13/147
D519,465 S * 4/2006 Sirichai et al. D13/156

* cited by examiner

Primary Examiner—Daniel D Bui

(74) *Attorney, Agent, or Firm*—Wei Te Chung; Andrew C.
Cheng; Ming Chieh Chang

(57) **CLAIM**

The ornamental design for a cable connector assembly, as
shown.

DESCRIPTION

The patent or application file contains at least one drawing
executed in color. Copies of this patent or patent application
publication with color drawings(s) will be provided by the
office upon request and payment of the necessary fee.

FIG. 1 is a perspective view of a cable connector assembly
showing our new design;

FIG. 2 is a front elevational view thereof;

FIG. 3 is a rear elevational view thereof;

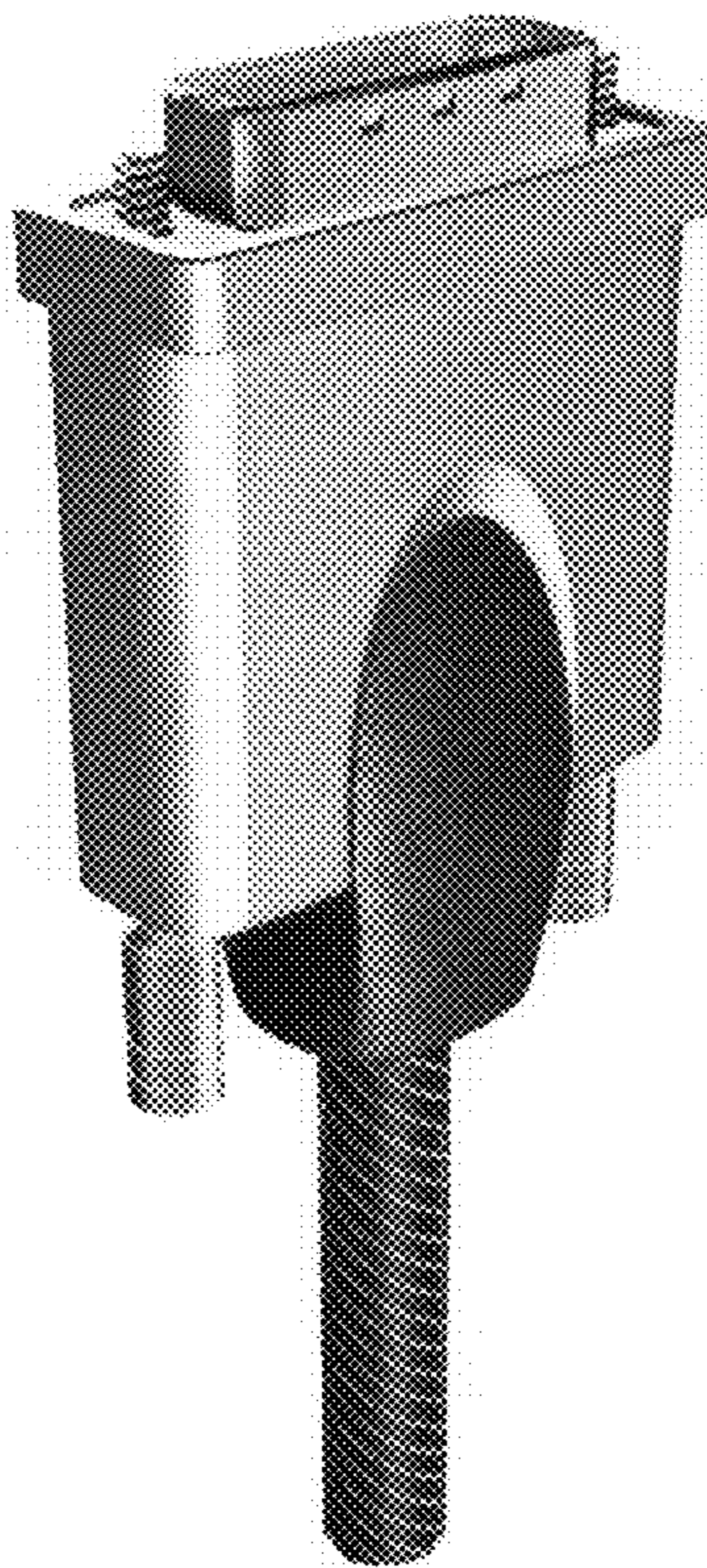
FIG. 4 is a left side elevational view thereof;

FIG. 5 is a right side elevational view thereof;

FIG. 6 is a top plan view thereof; and,

FIG. 7 is a bottom plan view thereof.

1 Claim, 7 Drawing Sheets
(7 of 7 Drawing Sheet(s) Filed in Color)



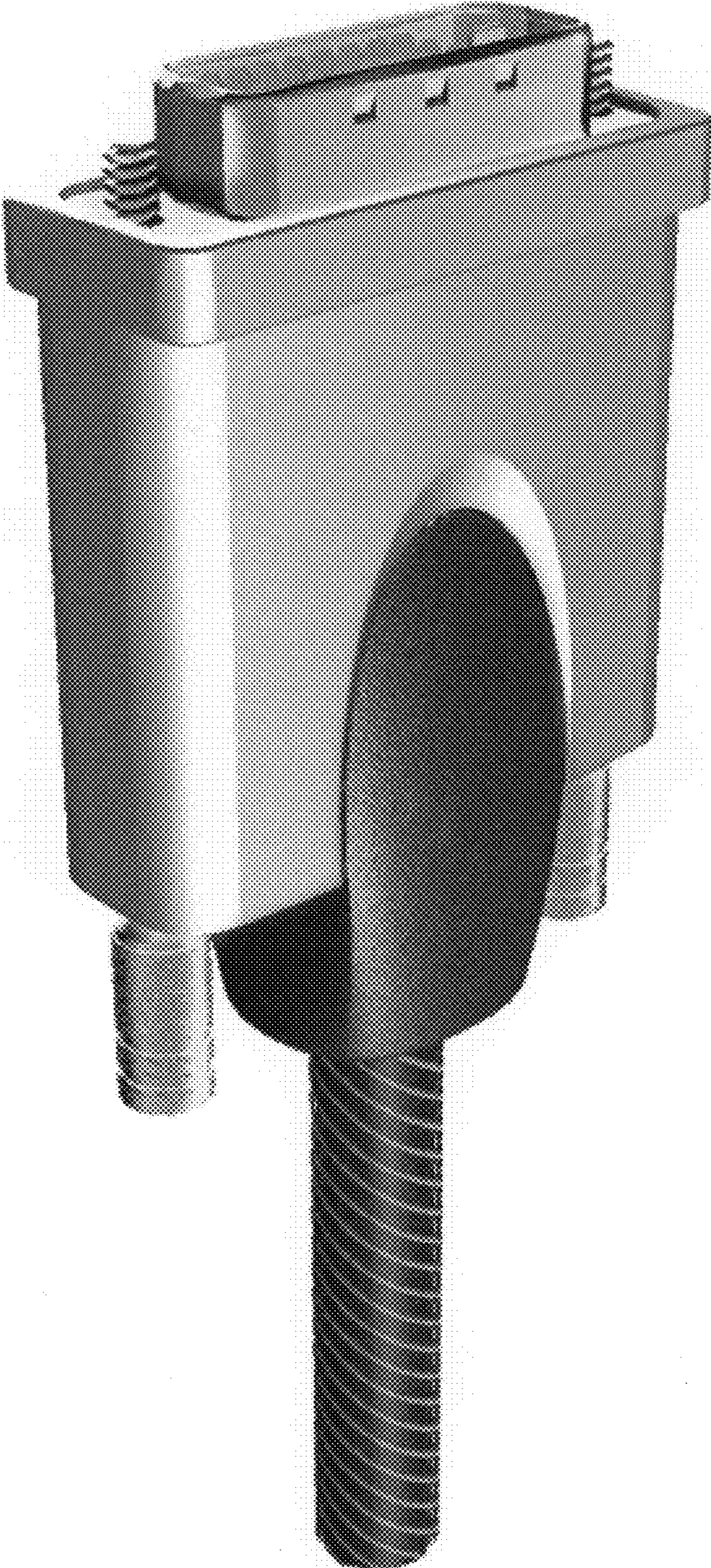


FIG. 1

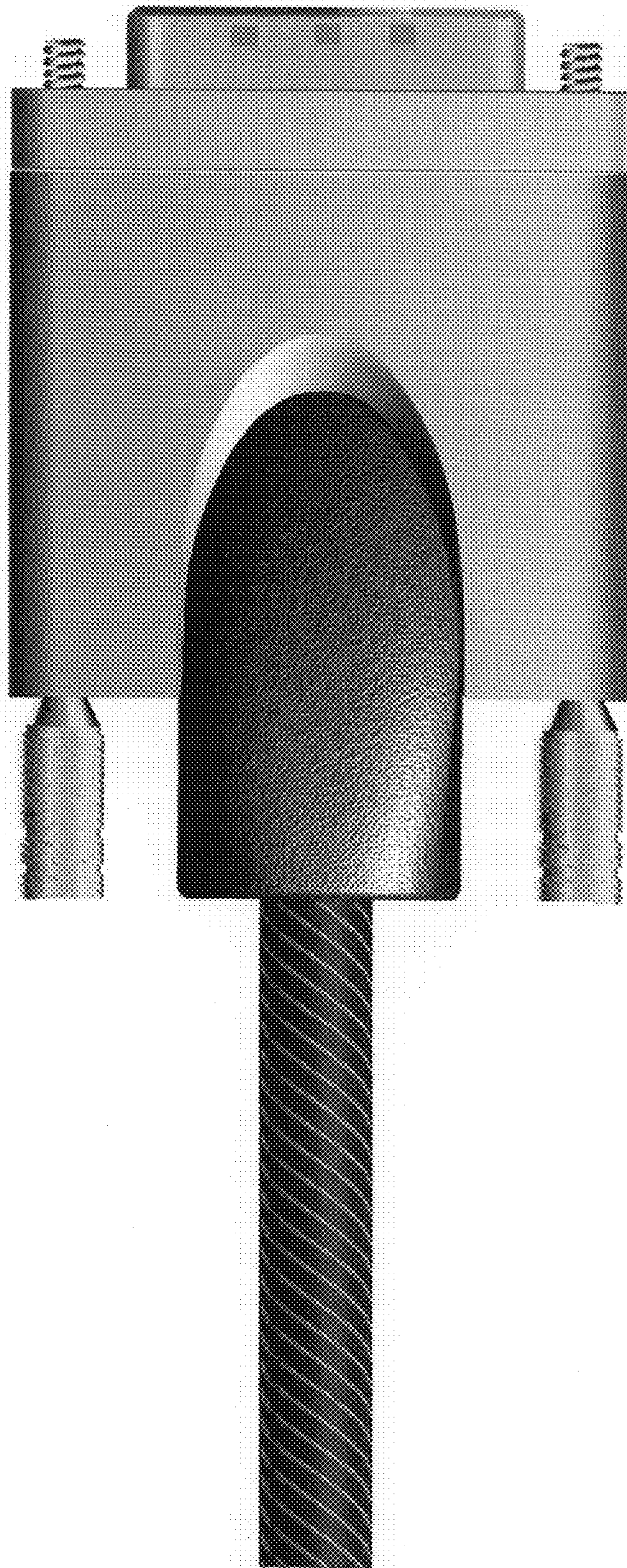


FIG. 2

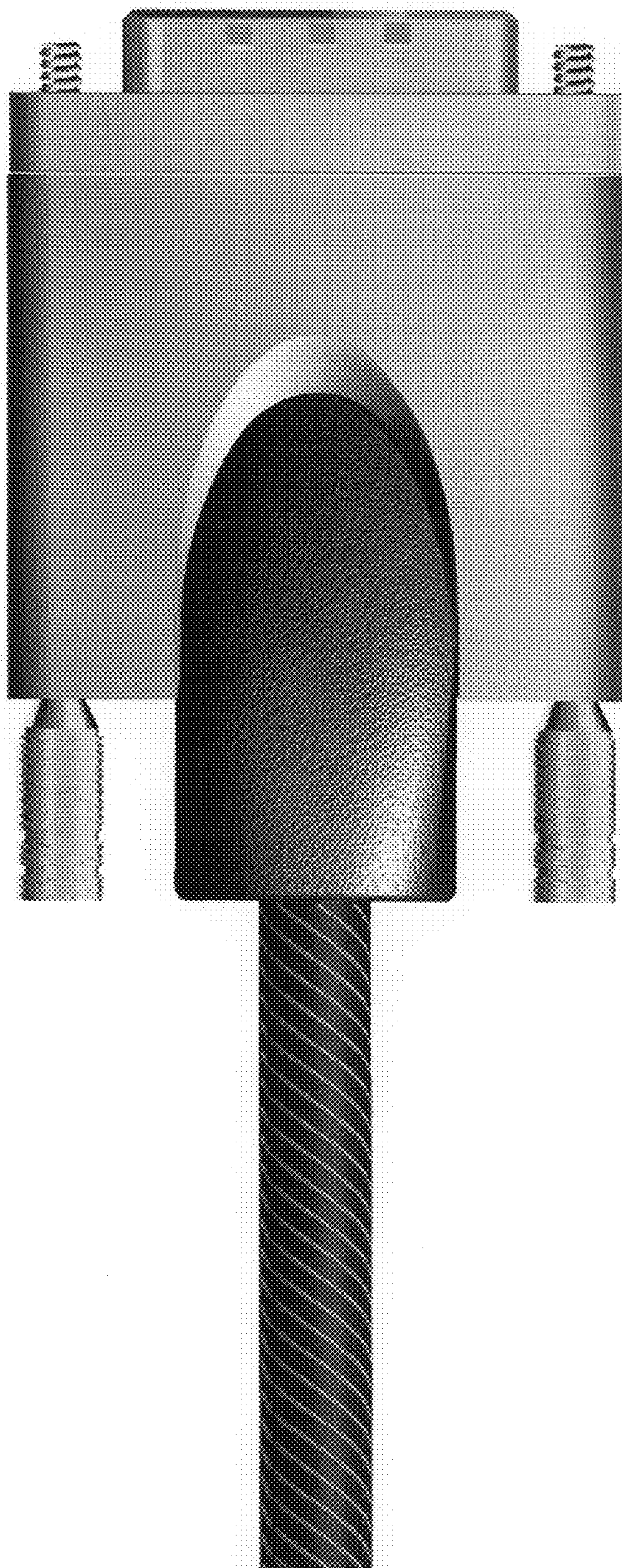


FIG. 3

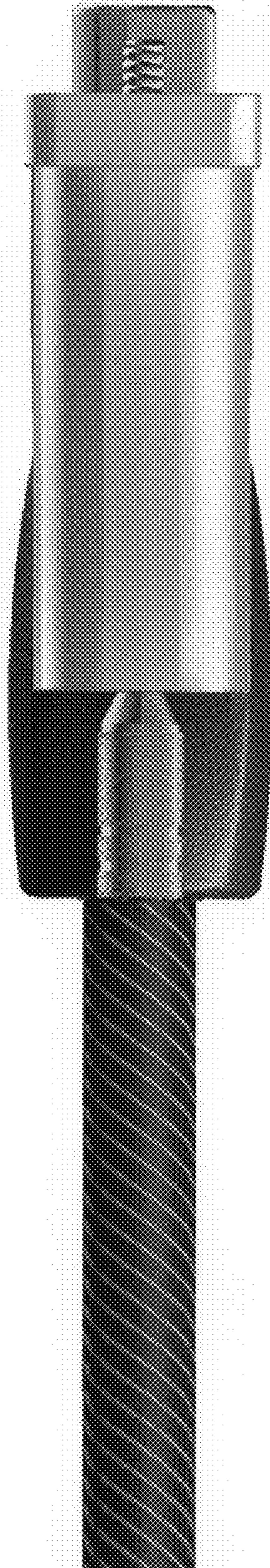


FIG. 4

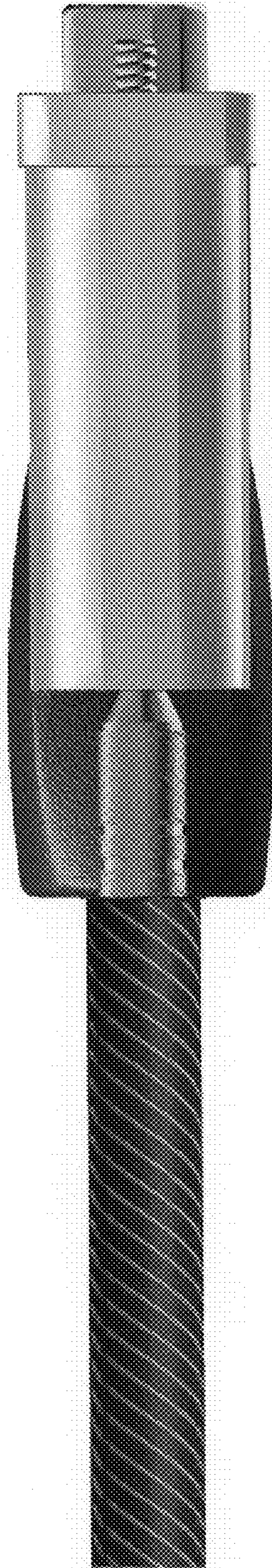


FIG. 5

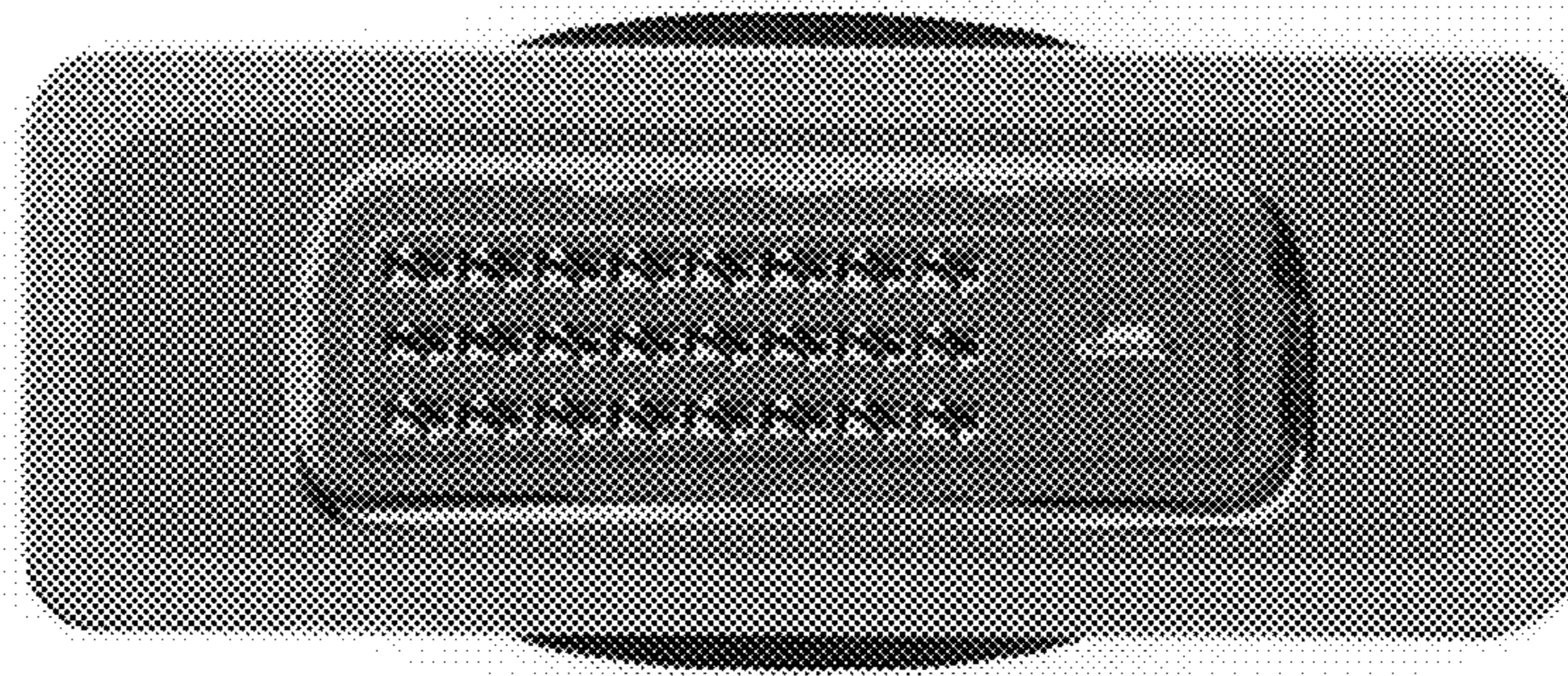


FIG. 6

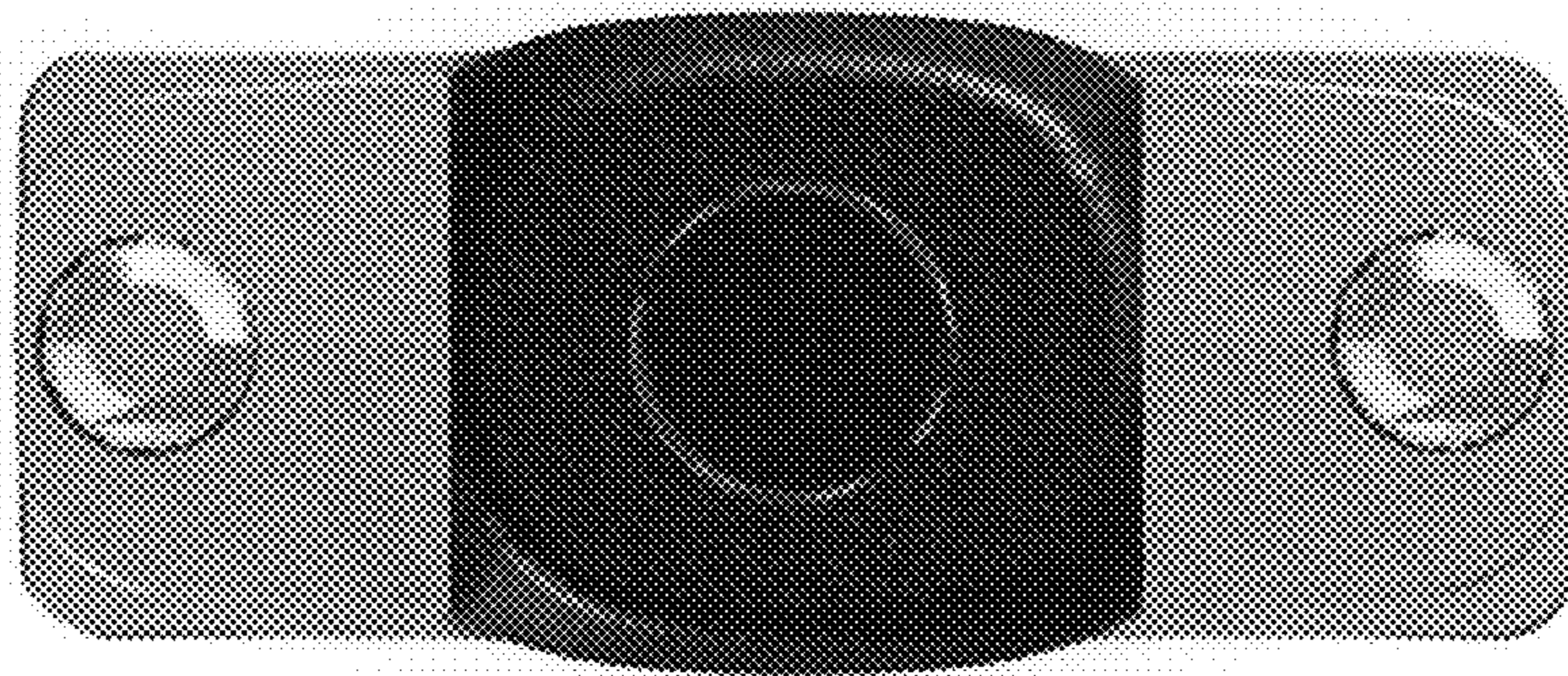


FIG. 7