



US00D610546S

(12) **United States Design Patent**
Honda et al.

(10) **Patent No.:** **US D610,546 S**
(45) **Date of Patent:** **** Feb. 23, 2010**

(54) **CABLE CONNECTOR MEMBER**

(75) Inventors: **Yosuke Honda**, Tokyo (JP); **Kazuhito Hisamatsu**, Tokyo (JP); **Masaki Yamashita**, Tokyo (JP)

(73) Assignee: **Japan Aviation Electronics Industry, Limited**, Tokyo (JP)

(**) Term: **14 Years**

(21) Appl. No.: **29/314,801**

(22) Filed: **May 1, 2009**

(30) **Foreign Application Priority Data**

Nov. 5, 2008 (JP) 2008-028413

(51) **LOC (9) Cl.** **13-03**

(52) **U.S. Cl.** **D13/147**

(58) **Field of Classification Search** D13/147,
D13/153, 154, 184; 439/378, 607-610, 660,
439/668, 680, 682, 686, 892, 894

See application file for complete search history.

(56) **References Cited**

U.S. PATENT DOCUMENTS

D371,542 S *	7/1996	Takayasu	D13/147
5,549,480 A *	8/1996	Cheng	439/79
D407,689 S *	4/1999	Dague et al.	D13/147
D456,780 S *	5/2002	Igarashi	D13/147
D466,080 S *	11/2002	Ko	D13/147

* cited by examiner

Primary Examiner—Daniel D Bui
(74) *Attorney, Agent, or Firm*—Collard & Roe, P.C.

(57) **CLAIM**

The ornamental design for a cable connector member, as shown and described.

DESCRIPTION

FIG. 1 is a front elevational view of a cable connector member showing our new design;

FIG. 2 is a rear elevational view thereof;

FIG. 3 is a left side elevational view thereof;

FIG. 4 is a right side elevational view thereof;

FIG. 5 is a top plan view thereof;

FIG. 6 is a bottom plan view thereof;

FIG. 7 is a cross-sectional view showing the cable connector member along lines 7—7 of FIG. 5;

FIG. 8 is a cross-sectional view showing the cable connector member along lines 8—8 of FIG. 5;

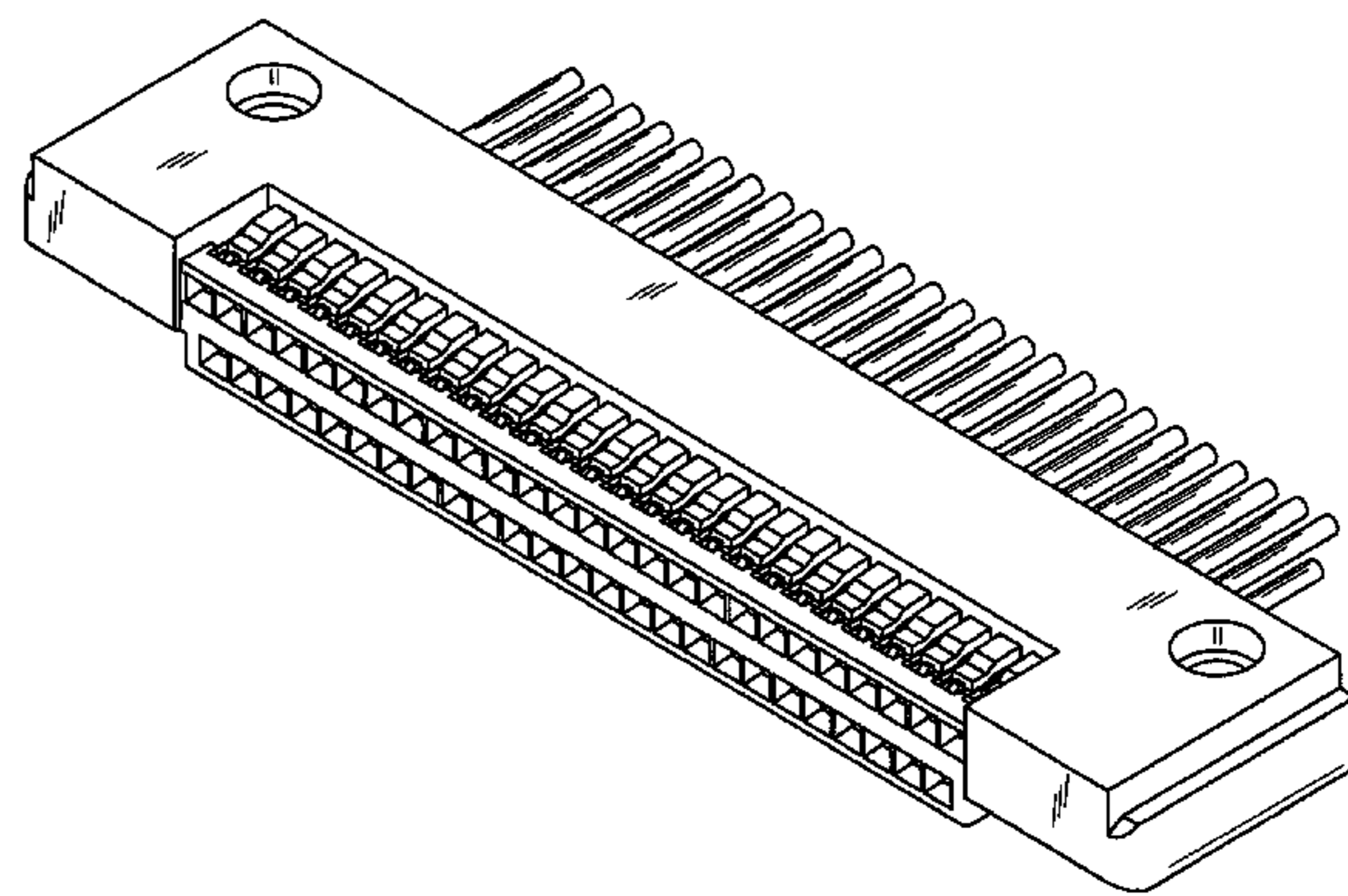
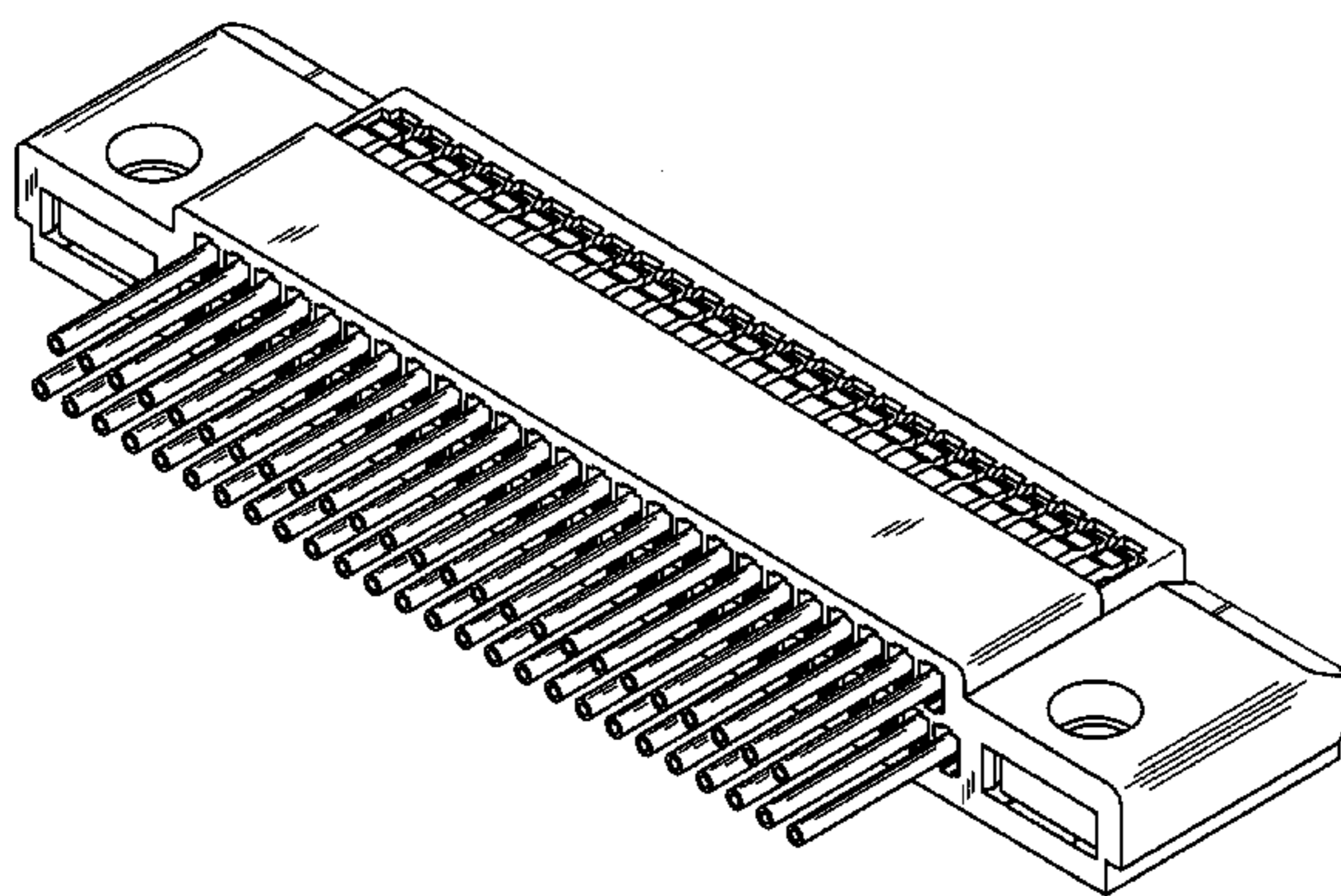
FIG. 9 is a partial, enlarged view showing the cable connector member defined by lines 9—9 of FIG. 5;

FIG. 10 is a partial, enlarged view showing the cable connector member defined by lines 10—10 of FIG. 6;

FIG. 11 is a front, bottom and right side perspective view thereof; and,

FIG. 12 is a rear, top and right side perspective view thereof.

1 Claim, 12 Drawing Sheets



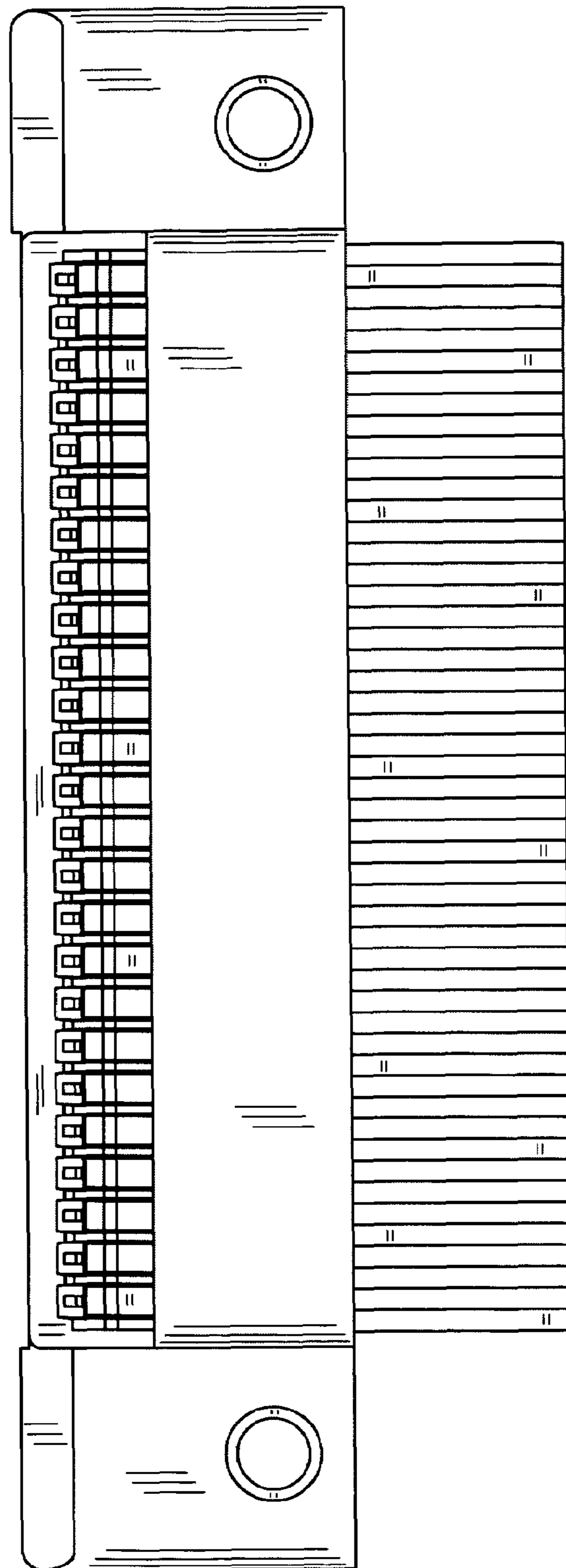


FIG. 1

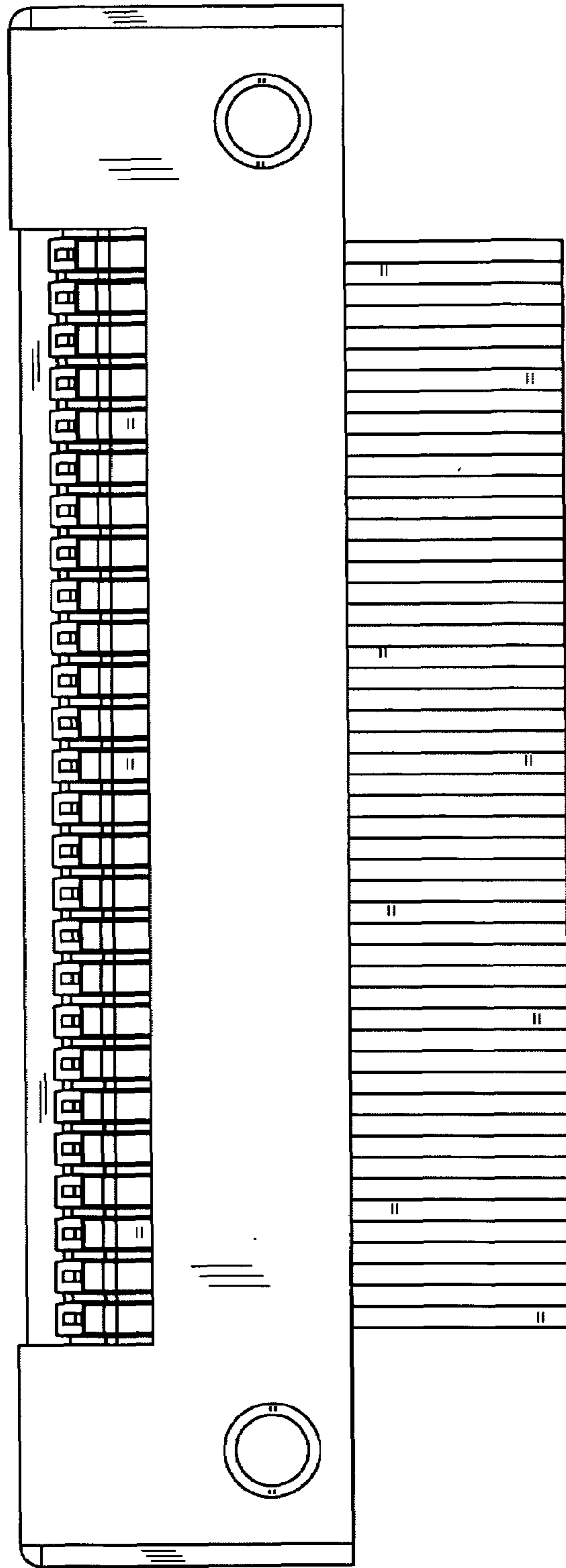


FIG. 2

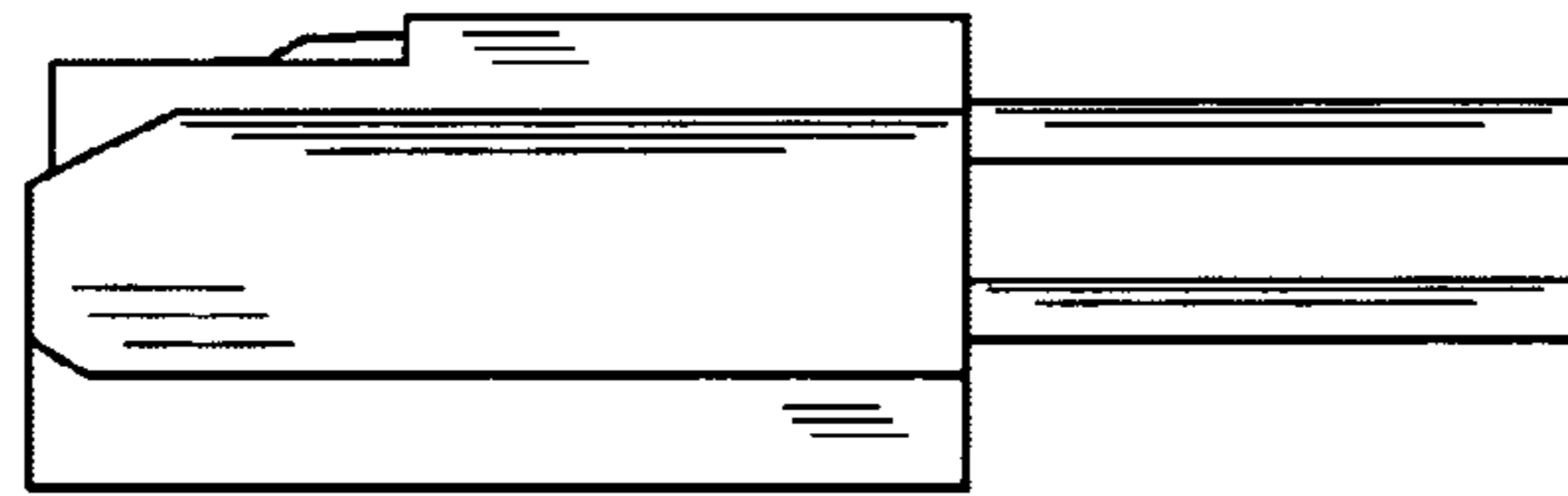


FIG. 3

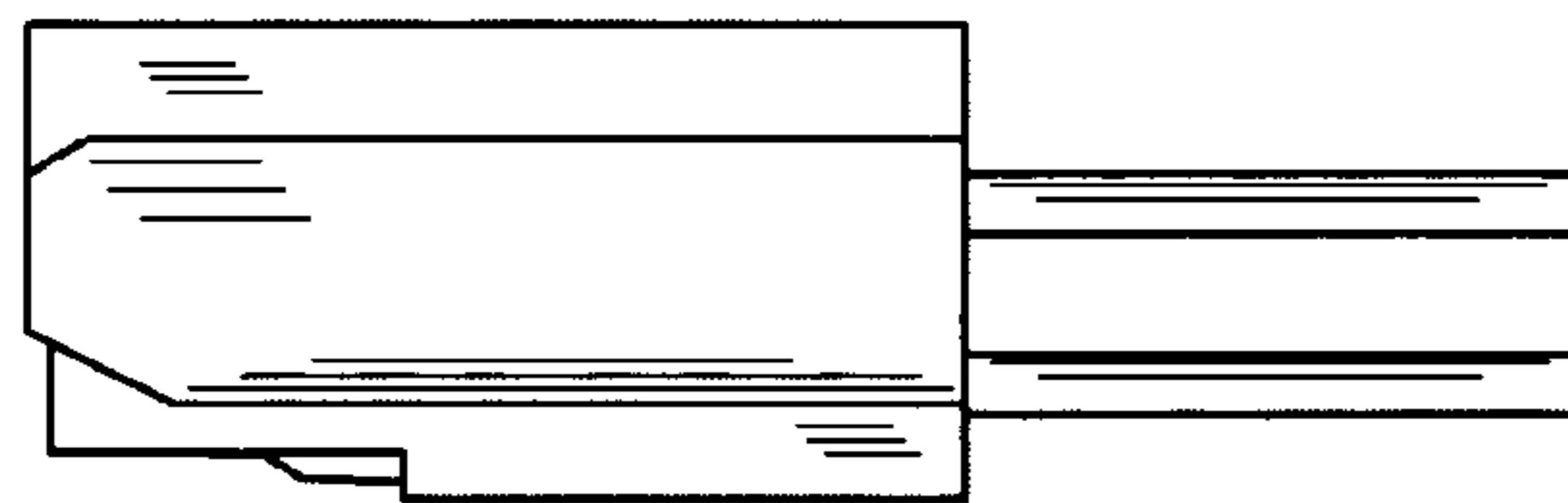


FIG. 4

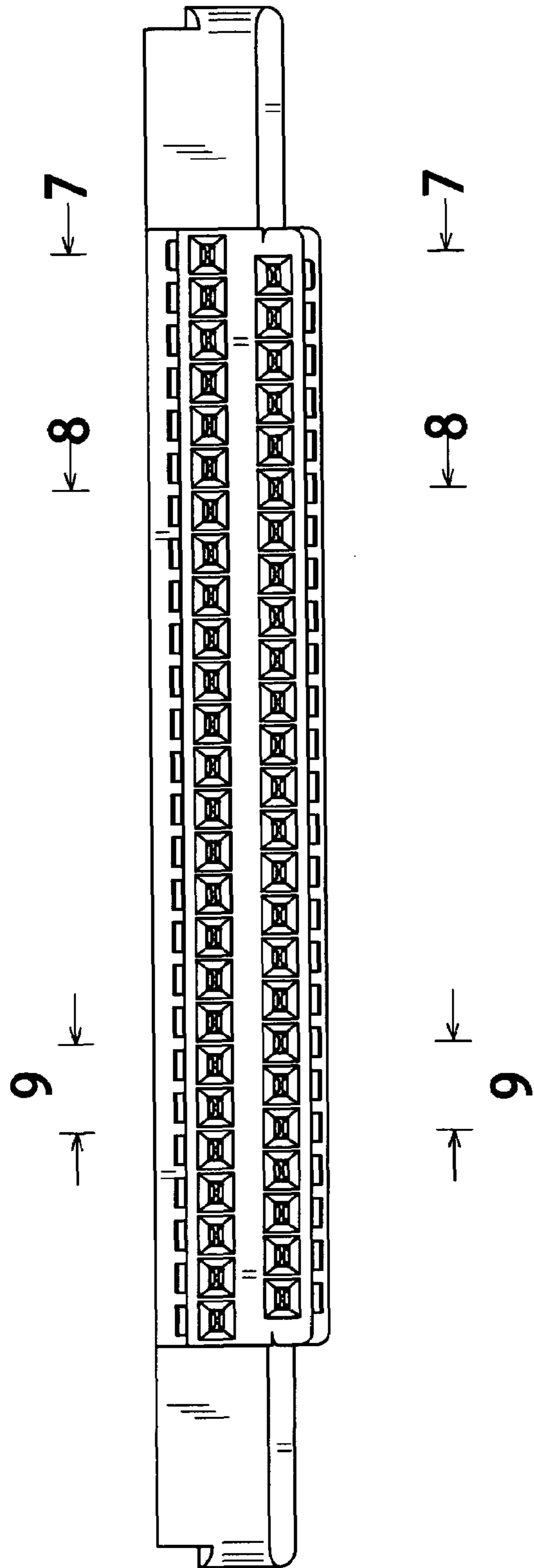


FIG. 5

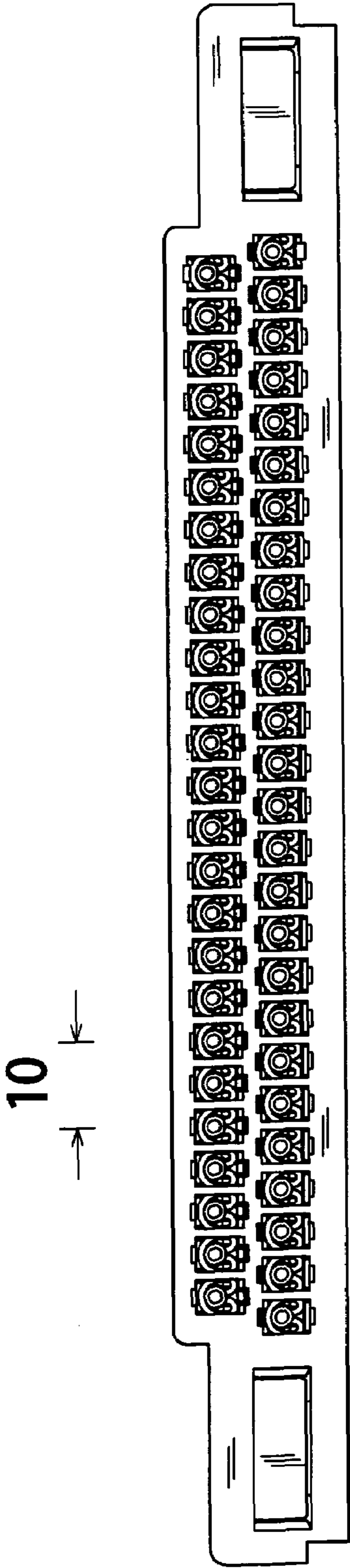


FIG. 6

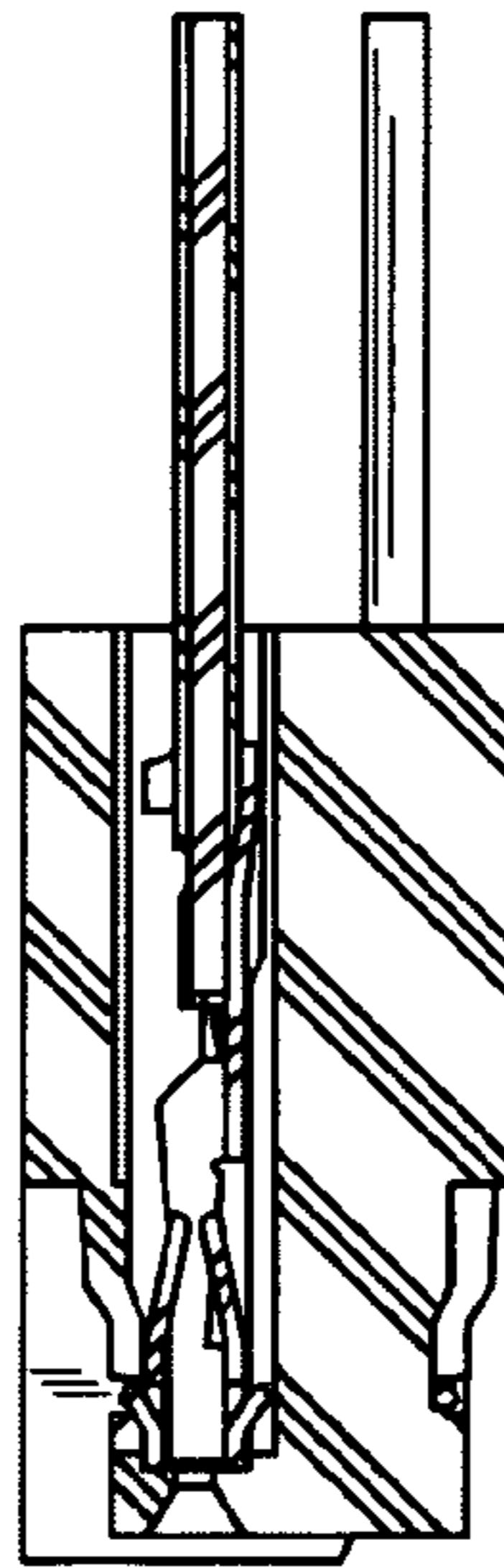


FIG. 7

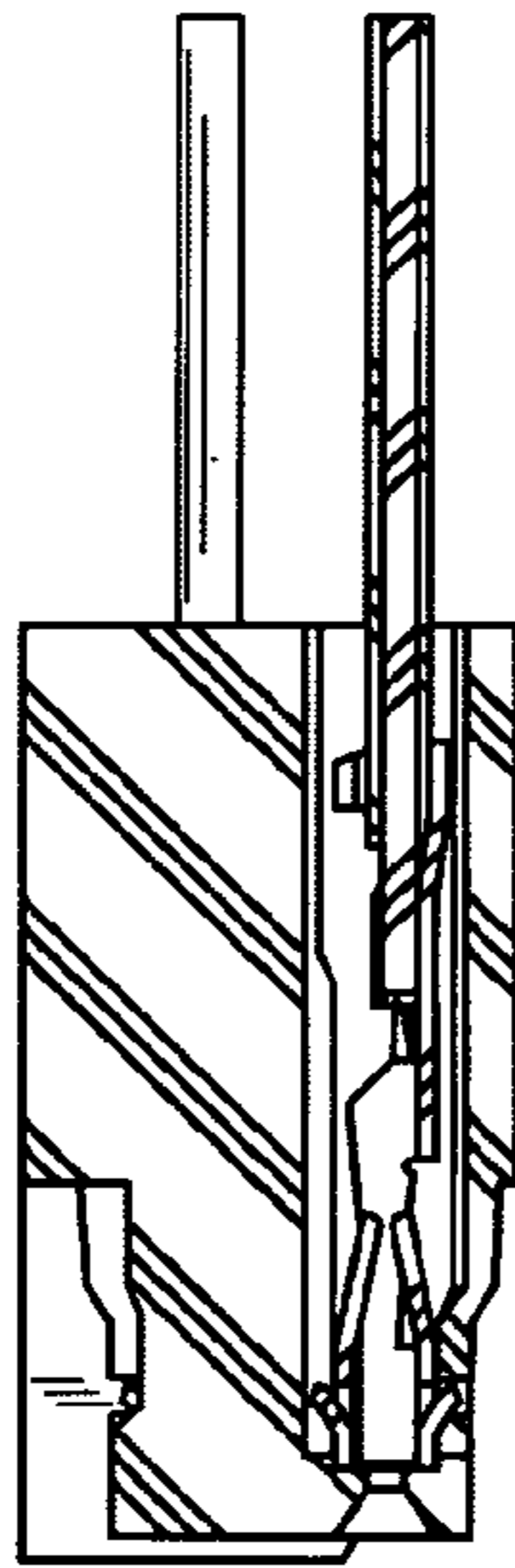


FIG. 8

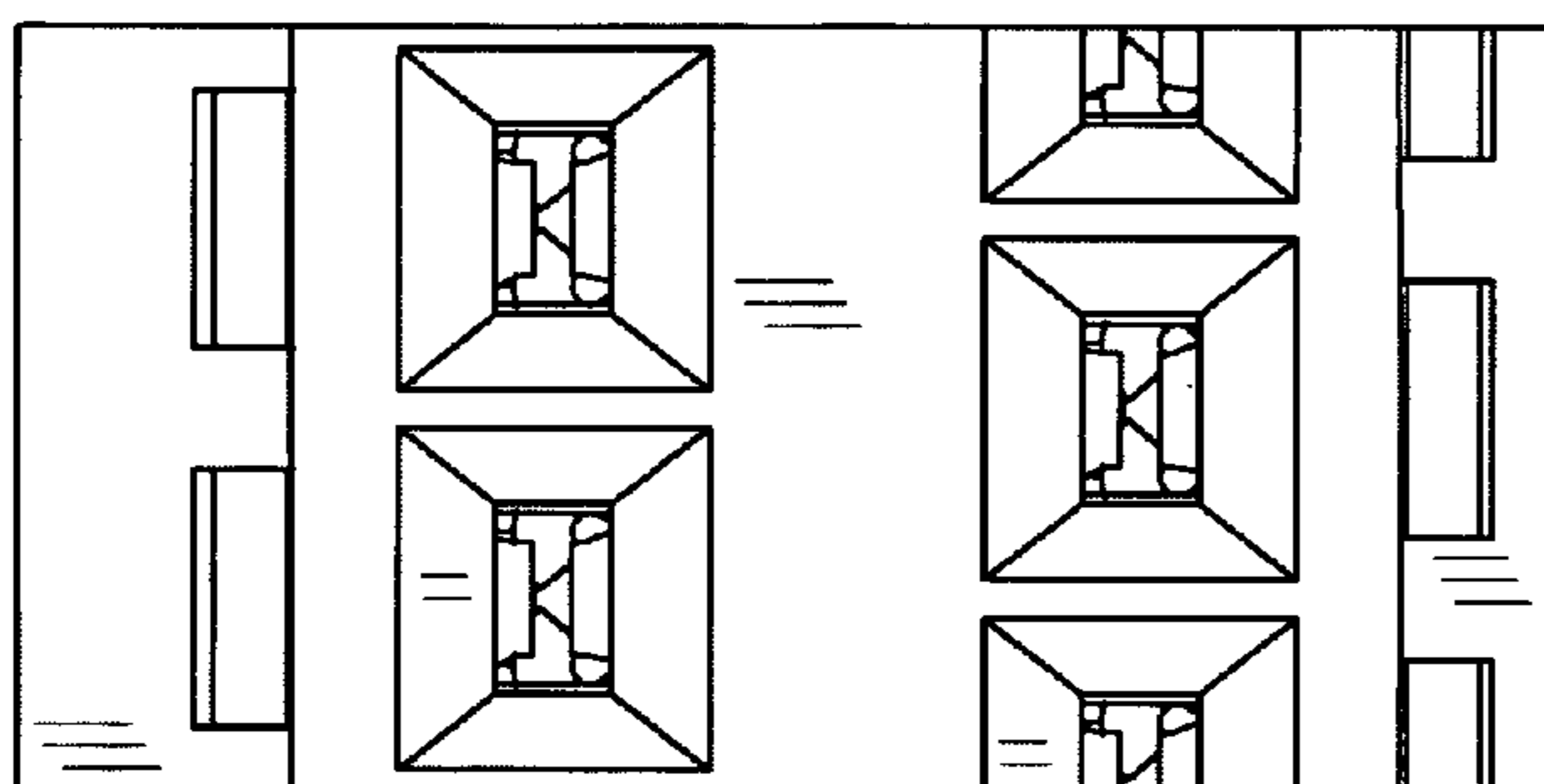


FIG. 9

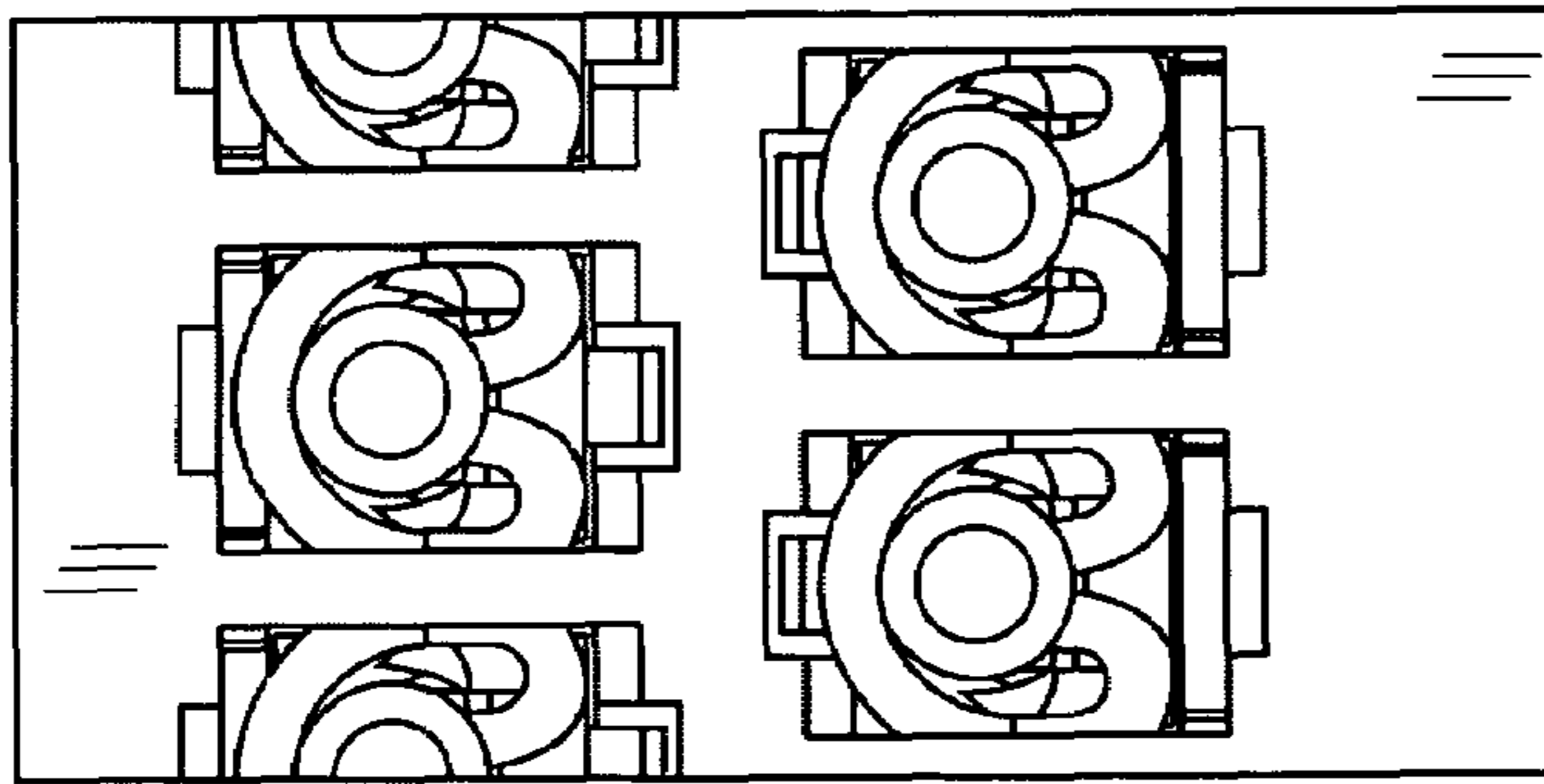


FIG. 10

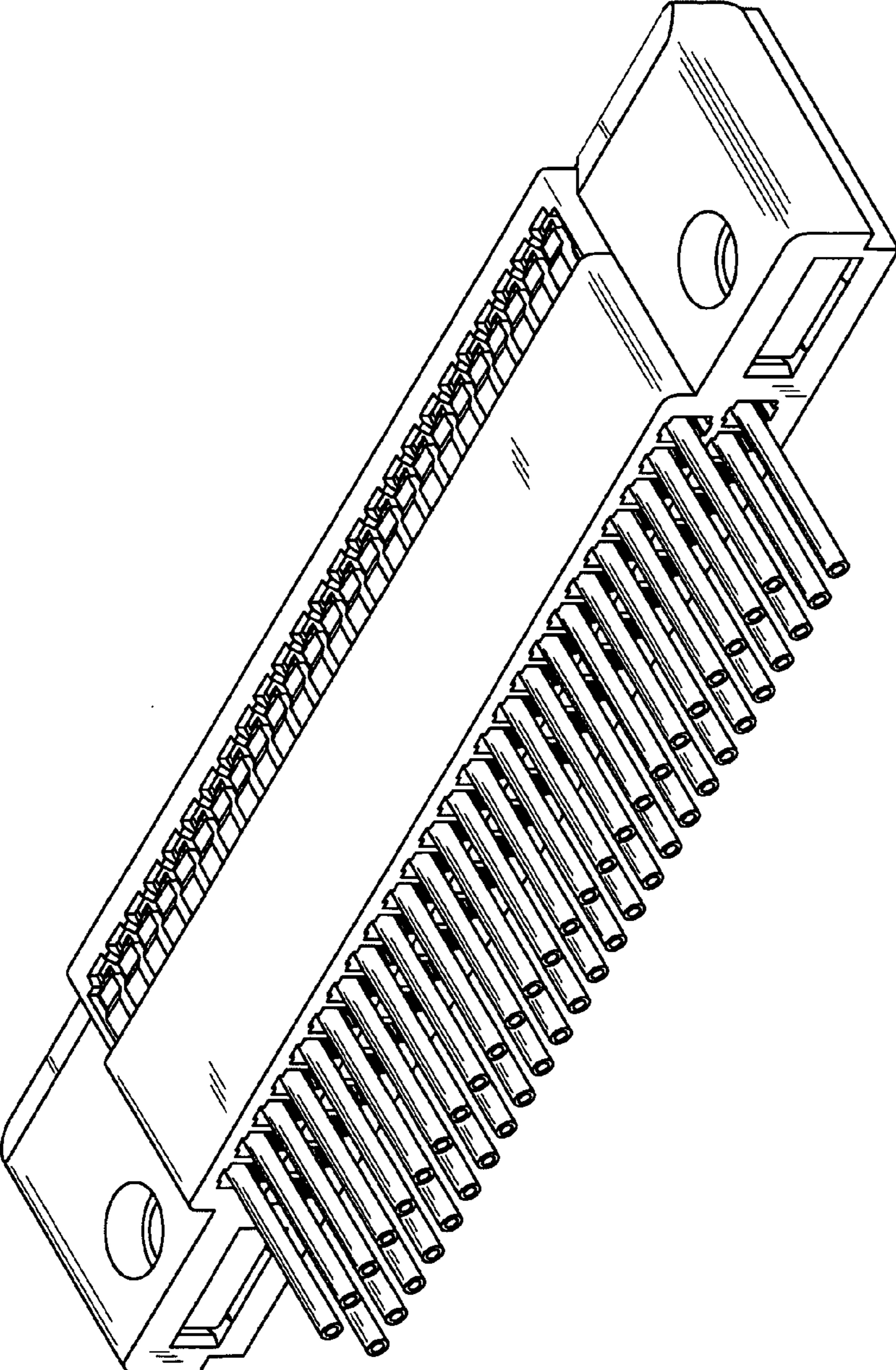


FIG. 11

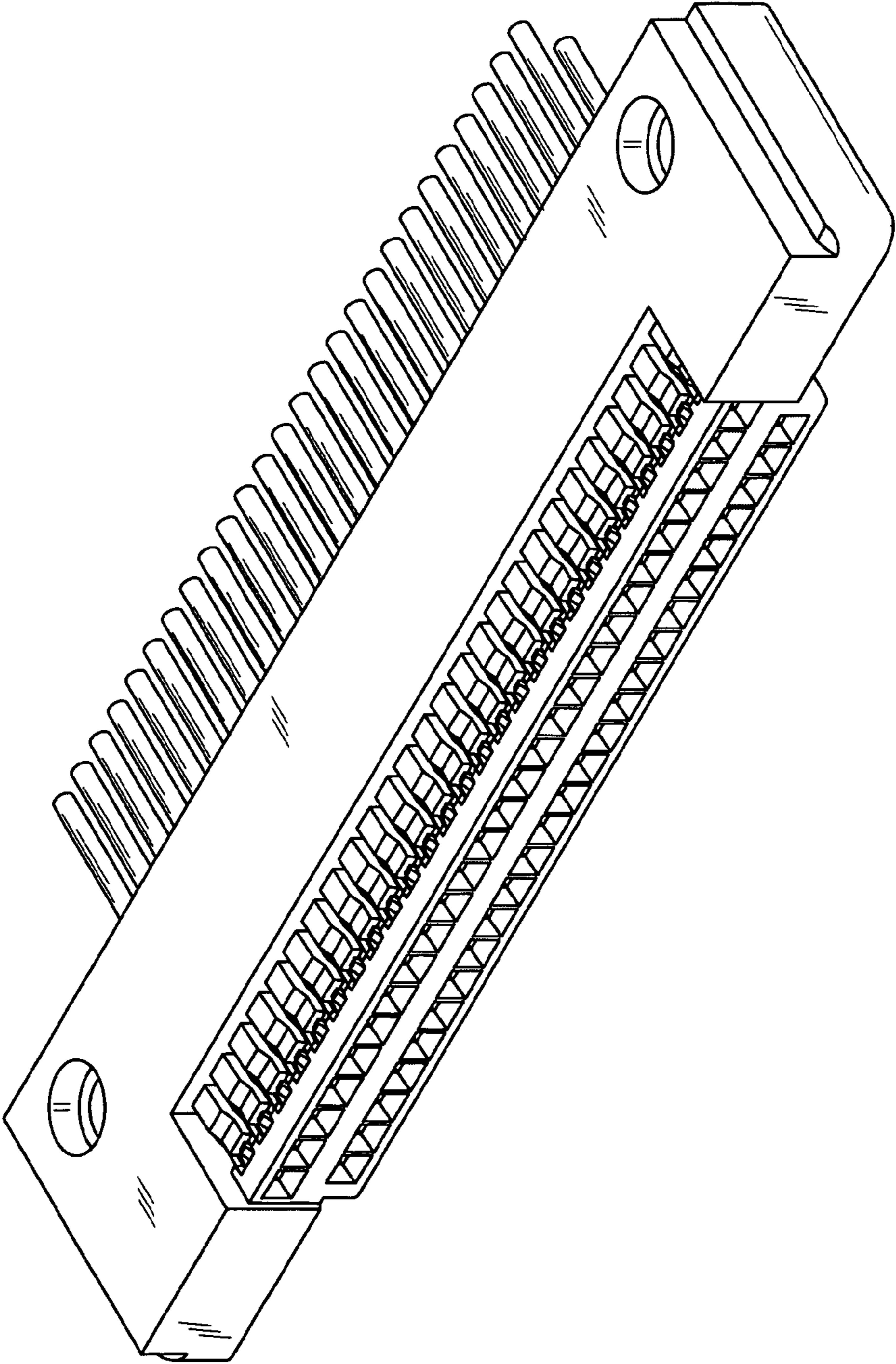


FIG. 12