



US00D610545S

(12) **United States Design Patent**
Coushaine et al.

(10) **Patent No.:** **US D610,545 S**
(45) **Date of Patent:** **** Feb. 23, 2010**

(54) **LIGHT EMITTING DIODE BULB CONNECTOR**

(75) Inventors: **Charles M. Coushaine**, Rindge, NH (US); **Kim Albright**, Warner, NH (US); **Thomas Tessnow**, Weare, NH (US)

(73) Assignee: **Osram Sylvania, Inc.**, Danvers, MA (US)

(**) Term: **14 Years**

(21) Appl. No.: **29/339,895**

(22) Filed: **Jul. 9, 2009**

6,955,451 B2	10/2005	Coushaine et al.	
6,991,355 B1	1/2006	Coushaine et al.	
7,008,095 B2 *	3/2006	Coushaine et al. 362/545
7,052,166 B2 *	5/2006	Tessnow 362/647
7,059,748 B2	6/2006	Coushaine et al.	
D526,279 S *	8/2006	Kotyk D13/158
7,093,958 B2	8/2006	Coushaine	
7,111,971 B2 *	9/2006	Coushaine et al. 362/545
7,166,955 B2 *	1/2007	Coushaine et al. 313/46
7,186,010 B2 *	3/2007	Coushaine et al. 362/547
D542,738 S *	5/2007	Pollard D13/165
7,360,925 B2	4/2008	Coushaine	
D573,111 S *	7/2008	Liu et al. D13/179

Related U.S. Application Data

(60) Division of application No. 29/261,348, filed on Jun. 13, 2006, which is a continuation of application No. 11/109,917, filed on Apr. 20, 2005, now Pat. No. 7,092,612, and a continuation of application No. 11/058,304, filed on Feb. 16, 2005, now Pat. No. 7,110,656, and a continuation of application No. 10/838,090, filed on May 3, 2004, now Pat. No. 7,059,748, and a continuation of application No. 10/830,261, filed on Apr. 22, 2004, now Pat. No. 7,075,224.

(51) **LOC (9) Cl.** **13-03**
(52) **U.S. Cl.** **D13/134**
(58) **Field of Classification Search** D13/123, D13/133, 134, 136, 179; 165/80.3, 104.33, 165/151, 122, 185; 257/706, 707, 718-722; 361/687, 695, 697, 700, 702, 704, 709, 710, 361/711, 719; 362/294

See application file for complete search history.

(56) **References Cited**

U.S. PATENT DOCUMENTS

4,978,857 A *	12/1990	Juengel 250/551
D423,453 S *	4/2000	Tremaglio et al. D13/125
6,384,407 B1 *	5/2002	Frank 250/239
6,682,211 B2	1/2004	English et al.	
6,773,138 B2	8/2004	Coushaine	

(Continued)

OTHER PUBLICATIONS

U.S. Appl. No. 29/261,348, Coushaine et al., Light Emitting Diode Bulb Connector, filed Jun. 13, 2006.

Primary Examiner—Daniel D Bui

Assistant Examiner—Thomas J Johannes

(74) *Attorney, Agent, or Firm*—Sterne, Kessler, Goldstein & Fox P.L.L.C.

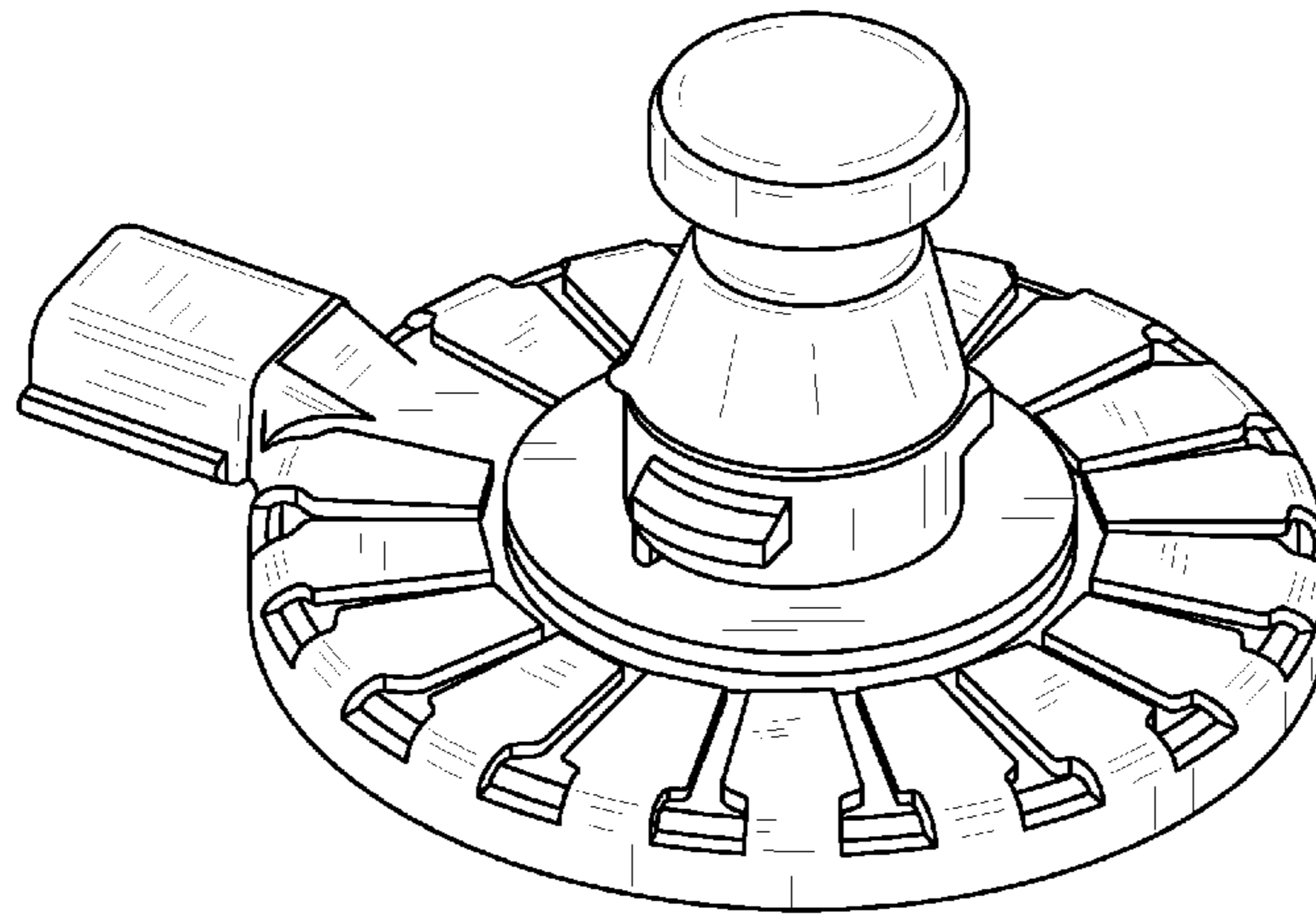
(57) **CLAIM**

The ornamental design for a light emitting diode bulb connector, as shown and described.

DESCRIPTION

FIG. 1 is a top perspective view of a light emitting diode bulb connector showing our new design; and, FIG. 2 is a bottom perspective view thereof.

1 Claim, 1 Drawing Sheet



US D610,545 S

Page 2

U.S. PATENT DOCUMENTS			
D586,751 S *	2/2009	Coushaine et al.	D13/134
2005/0047145 A1 *	3/2005	Coushaine et al.	362/294
2005/0243559 A1 *	11/2005	Coushaine et al.	362/294
2006/0126328 A1 *	6/2006	Coushaine	362/247
2007/0047251 A1 *	3/2007	Sanroma et al.	362/545

* cited by examiner

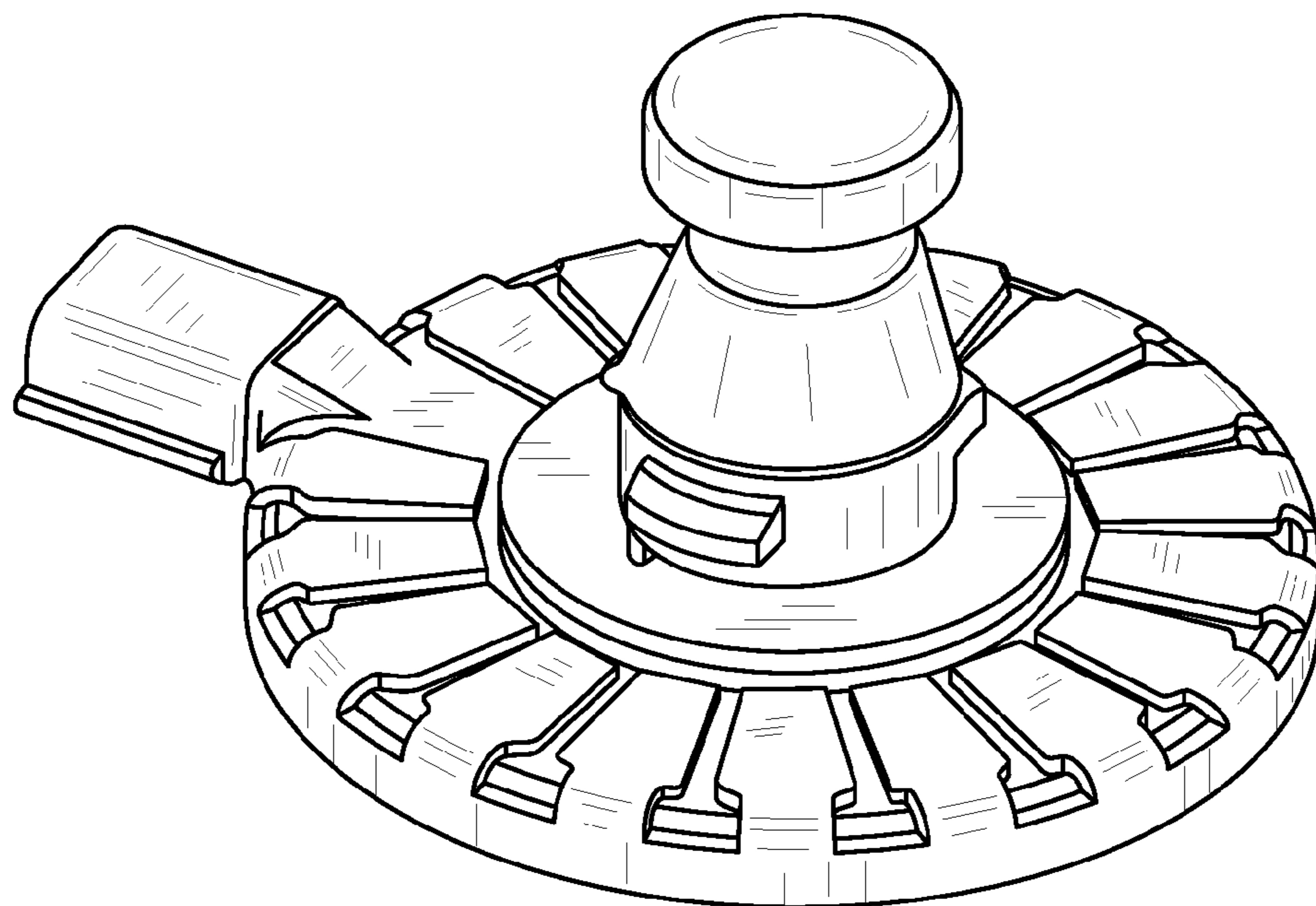


FIG. 1

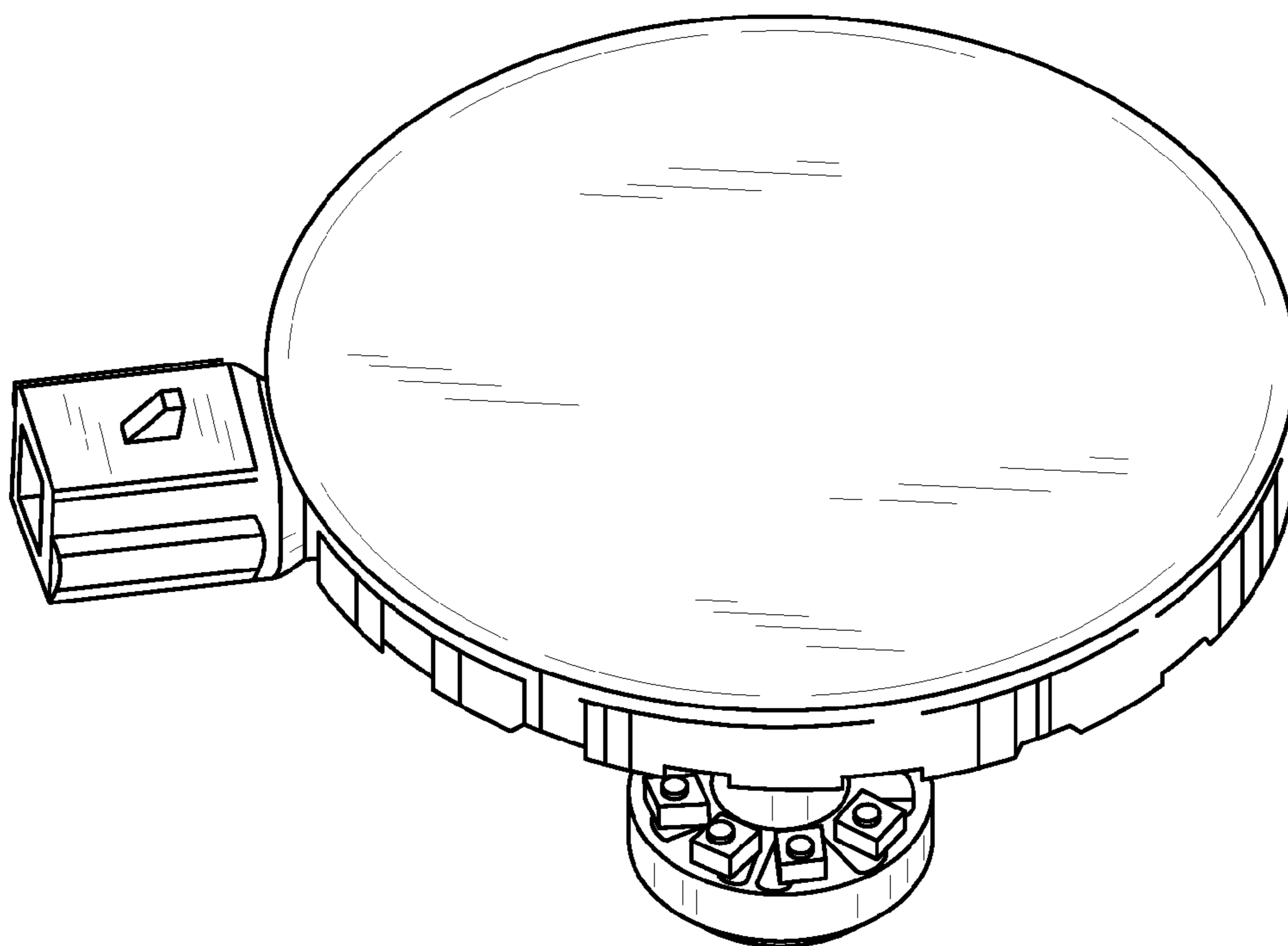


FIG. 2