



US00D610544S

(12) **United States Design Patent**  
**Coushaine et al.**

(10) **Patent No.:** **US D610,544 S**  
(45) **Date of Patent:** **\*\* Feb. 23, 2010**

(54) **LIGHT EMITTING DIODE BULB CONNECTOR**

(75) Inventors: **Charles M. Coushaine**, Rindge, NH (US); **Kim Albright**, Warner, NH (US); **Thomas Tessnow**, Weare, NH (US)

(73) Assignee: **Osram Sylvania, Inc.**, Danvers, MA (US)

(\*\*) Term: **14 Years**

(21) Appl. No.: **29/339,892**

(22) Filed: **Jul. 9, 2009**

6,955,451	B2	10/2005	Coushaine et al.	
6,991,355	B1	1/2006	Coushaine et al.	
7,008,095	B2 *	3/2006	Coushaine et al.	..... 362/545
7,052,166	B2 *	5/2006	Tessnow	..... 362/647
7,059,748	B2	6/2006	Coushaine et al.	
D526,279	S *	8/2006	Kotytk	..... D13/158
7,093,958	B2	8/2006	Coushaine	
7,111,971	B2 *	9/2006	Coushaine et al.	..... 362/545
7,166,955	B2 *	1/2007	Coushaine et al.	..... 313/46
7,186,010	B2 *	3/2007	Coushaine et al.	..... 362/547
D542,738	S *	5/2007	Pollard	..... D13/165
7,360,925	B2	4/2008	Coushaine	
D573,111	S *	7/2008	Liu et al.	..... D13/179
D586,751	S *	2/2009	Coushaine et al.	..... D13/134
2005/0047145	A1 *	3/2005	Coushaine et al.	..... 362/294

**Related U.S. Application Data**

(60) Division of application No. 29/261,348, filed on Jun. 13, 2006, which is a continuation of application No. 10/830,261, filed on Apr. 22, 2004, now Pat. No. 7,075,224, and a continuation of application No. 10/838,090, filed on May 3, 2004, now Pat. No. 7,059,748, and a continuation of application No. 11/109,917, filed on Apr. 20, 2005, now Pat. No. 7,092,612, and a continuation of application No. 11/058,304, filed on Feb. 16, 2005, now Pat. No. 7,110,656.

(51) **LOC (9) Cl.** ..... **13-03**

(52) **U.S. Cl.** ..... **D13/134**

(58) **Field of Classification Search** ..... D13/123, D13/133, 134, 136, 179; 165/80.3, 104.33, 165/151, 122, 185; 257/706, 707, 718-722; 361/687, 695, 697, 700, 702, 704, 709, 710, 361/711, 719; 362/294

See application file for complete search history.

(56) **References Cited**

**U.S. PATENT DOCUMENTS**

4,978,857	A *	12/1990	Juengel	..... 250/551
D423,453	S *	4/2000	Tremaglio et al.	..... D13/125
6,384,407	B1 *	5/2002	Frank	..... 250/239
6,682,211	B2	1/2004	English et al.	
6,773,138	B2	8/2004	Coushaine	

(Continued)

**OTHER PUBLICATIONS**

U.S. Appl. No. 29/261,348, Coushaine et al., Light Emitting Diode Bulb Connector, filed Jun. 13, 2006.

*Primary Examiner*—Daniel D Bui

*Assistant Examiner*—Thomas J Johannes

(74) *Attorney, Agent, or Firm*—Sterne, Kessler, Goldstein & Fox P.L.L.C.

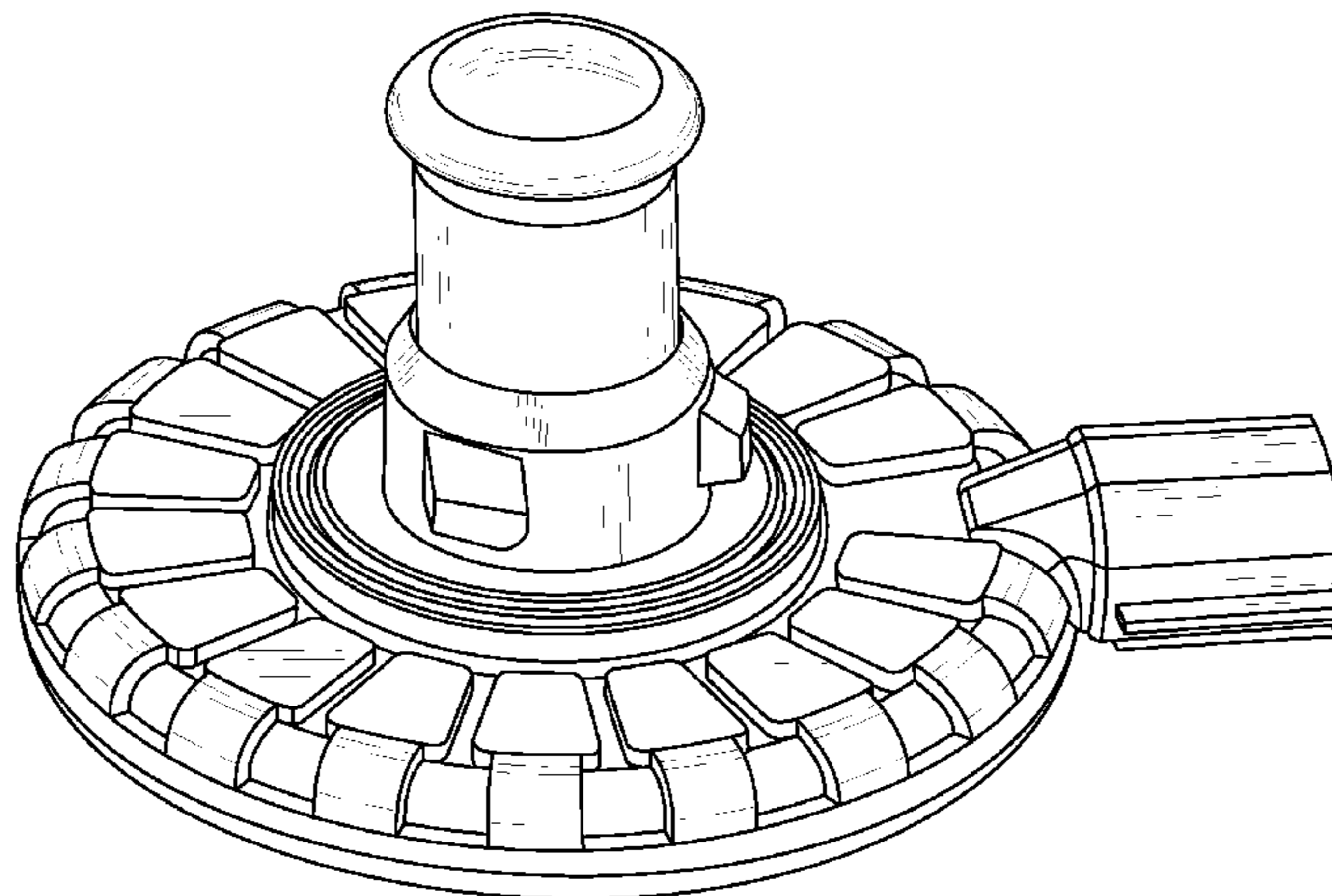
(57) **CLAIM**

The ornamental design for a light emitting diode bulb connector, as shown and described.

**DESCRIPTION**

FIG. 1 is a perspective view of a light emitting diode bulb connector showing our new design; and, FIG. 2 is a top view thereof.

**1 Claim, 1 Drawing Sheet**



# US D610,544 S

Page 2

---

U.S. PATENT DOCUMENTS	2007/0047251 A1*	3/2007	Sanroma et al. ....	362/545	
2005/0243559 A1*	11/2005	Coushaine et al. ....	362/294		
2006/0126328 A1*	6/2006	Coushaine .....	362/247		* cited by examiner

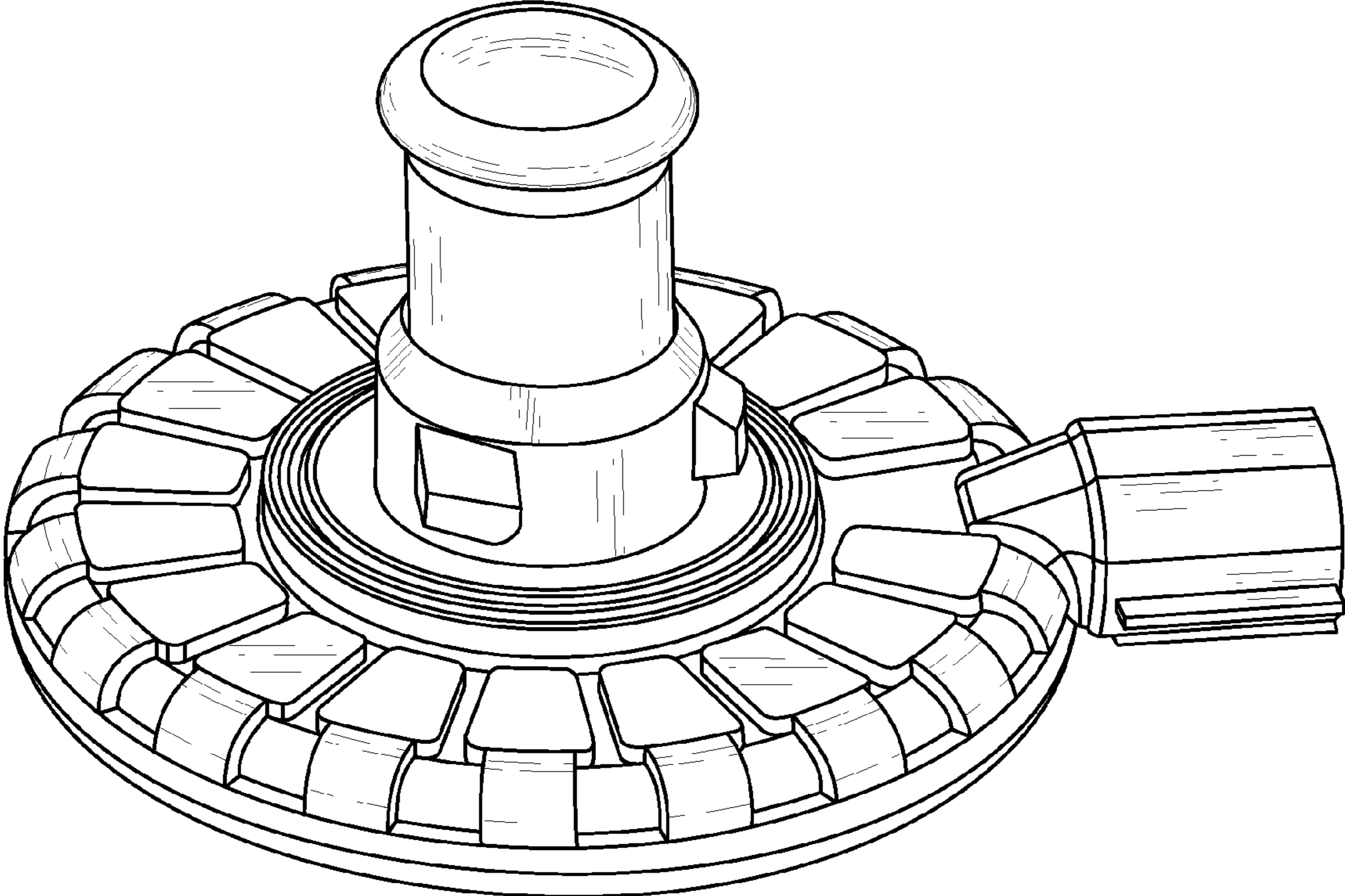


FIG. 1

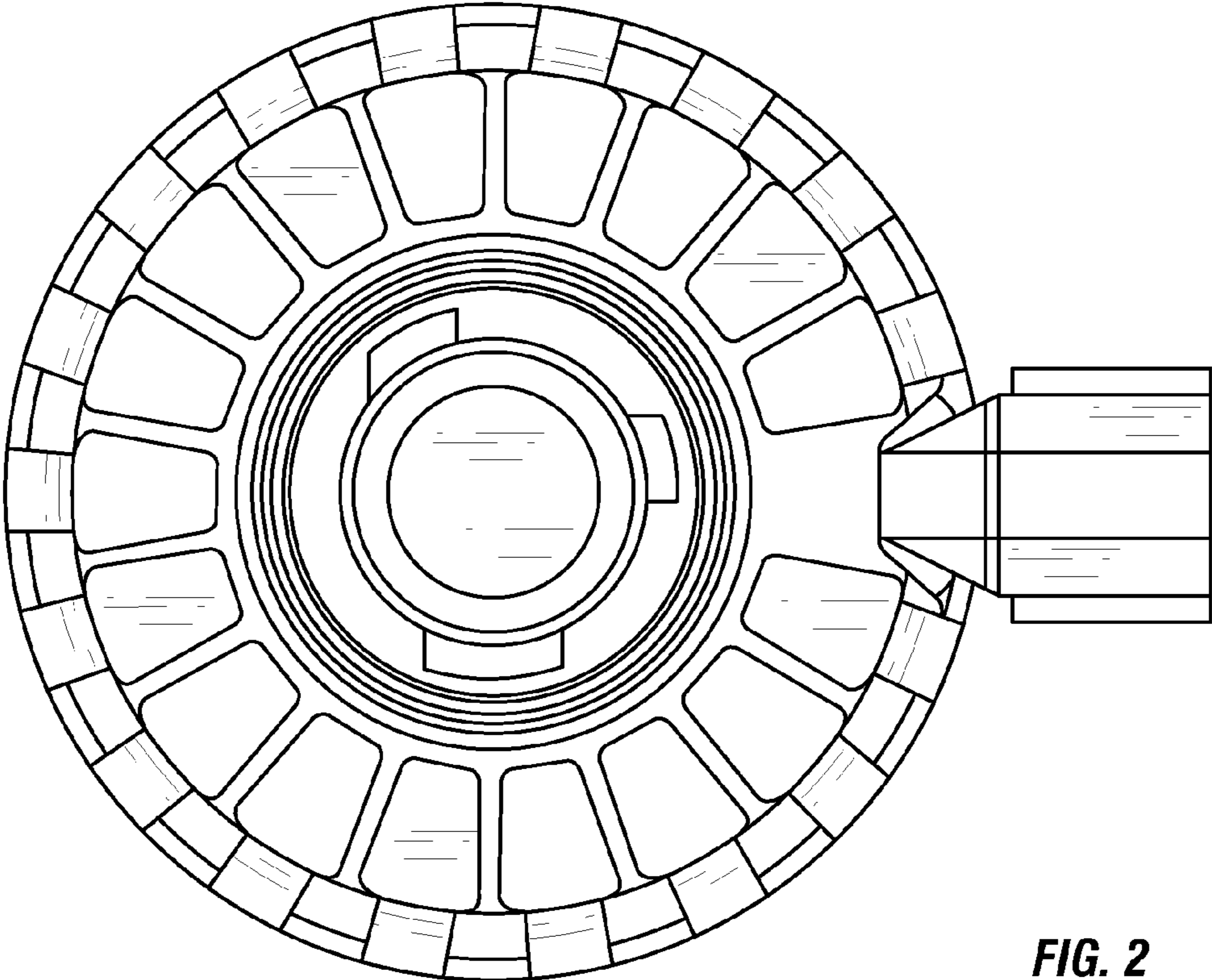


FIG. 2