



US00D610543S

(12) **United States Design Patent**  
**Coushaine**

(10) **Patent No.:** **US D610,543 S**  
(45) **Date of Patent:** **\*\* Feb. 23, 2010**

(54) **LIGHT EMITTING DIODE BULB CONNECTOR**

(75) Inventor: **Charles M. Coushaine**, Rindge, NH (US)

(73) Assignee: **Osram Sylvania, Inc.**, Danvers, MA (US)

(\*\*) Term: **14 Years**

(21) Appl. No.: **29/339,891**

(22) Filed: **Jul. 9, 2009**

**Related U.S. Application Data**

(60) Division of application No. 29/261,348, filed on Jun. 13, 2006, which is a continuation of application No. 11/109,917, filed on Apr. 20, 2005, now Pat. No. 7,092,612, and a continuation of application No. 11/058,304, filed on Feb. 16, 2005, now Pat. No. 7,110,656, and a continuation of application No. 10/838,090, filed on May 3, 2004, now Pat. No. 7,059,748, and a continuation of application No. 10/830,261, filed on Apr. 22, 2004, now Pat. No. 7,075,224.

(51) **LOC (9) Cl.** ..... **13-03**

(52) **U.S. Cl.** ..... **D13/134**

(58) **Field of Classification Search** ..... D13/123, D13/133, 134, 136, 179; 165/80.3, 104.33, 165/151, 122, 185; 257/706, 707, 718-722; 361/687, 695, 697, 700, 702, 704, 709, 710, 361/711, 719; 362/294

See application file for complete search history.

(56) **References Cited**

**U.S. PATENT DOCUMENTS**

4,978,857 A \* 12/1990 Juengel ..... 250/551  
D423,453 S \* 4/2000 Tremaglio et al. .... D13/125

6,384,407	B1 *	5/2002	Frank	.....	250/239
6,682,211	B2	1/2004	English et al.		
6,773,138	B2	8/2004	Coushaine		
6,955,451	B2	10/2005	Coushaine et al.		
6,991,355	B1	1/2006	Coushaine et al.		
7,008,095	B2 *	3/2006	Coushaine et al.	.....	362/545
7,052,166	B2 *	5/2006	Tessnow	.....	362/647
7,059,748	B2	6/2006	Coushaine et al.		
D526,279	S *	8/2006	Kotyk	.....	D13/158
7,093,958	B2	8/2006	Coushaine		
7,111,971	B2 *	9/2006	Coushaine et al.	.....	362/545
7,166,955	B2 *	1/2007	Coushaine et al.	.....	313/46
7,186,010	B2 *	3/2007	Coushaine et al.	.....	362/547
D542,738	S *	5/2007	Pollard	.....	D13/165
7,360,925	B2	4/2008	Coushaine		
D573,111	S *	7/2008	Liu et al.	.....	D13/179
D586,751	S *	2/2009	Coushaine et al.	.....	D13/134
2005/0047145	A1 *	3/2005	Coushaine et al.	.....	362/294
2005/0243559	A1 *	11/2005	Coushaine et al.	.....	362/294
2006/0126328	A1 *	6/2006	Coushaine	.....	362/247
2007/0047251	A1 *	3/2007	Sanroma et al.	.....	362/545

**OTHER PUBLICATIONS**

U.S. Appl. No. 29/261,348, Coushaine et al., Light Emitting Diode Bulb Connector, filed Jun. 13, 2006.

\* cited by examiner

*Primary Examiner*—Daniel D Bui

*Assistant Examiner*—Thomas J Johannes

(74) *Attorney, Agent, or Firm*—Sterne, Kessler, Goldstein & Fox P.L.L.C.

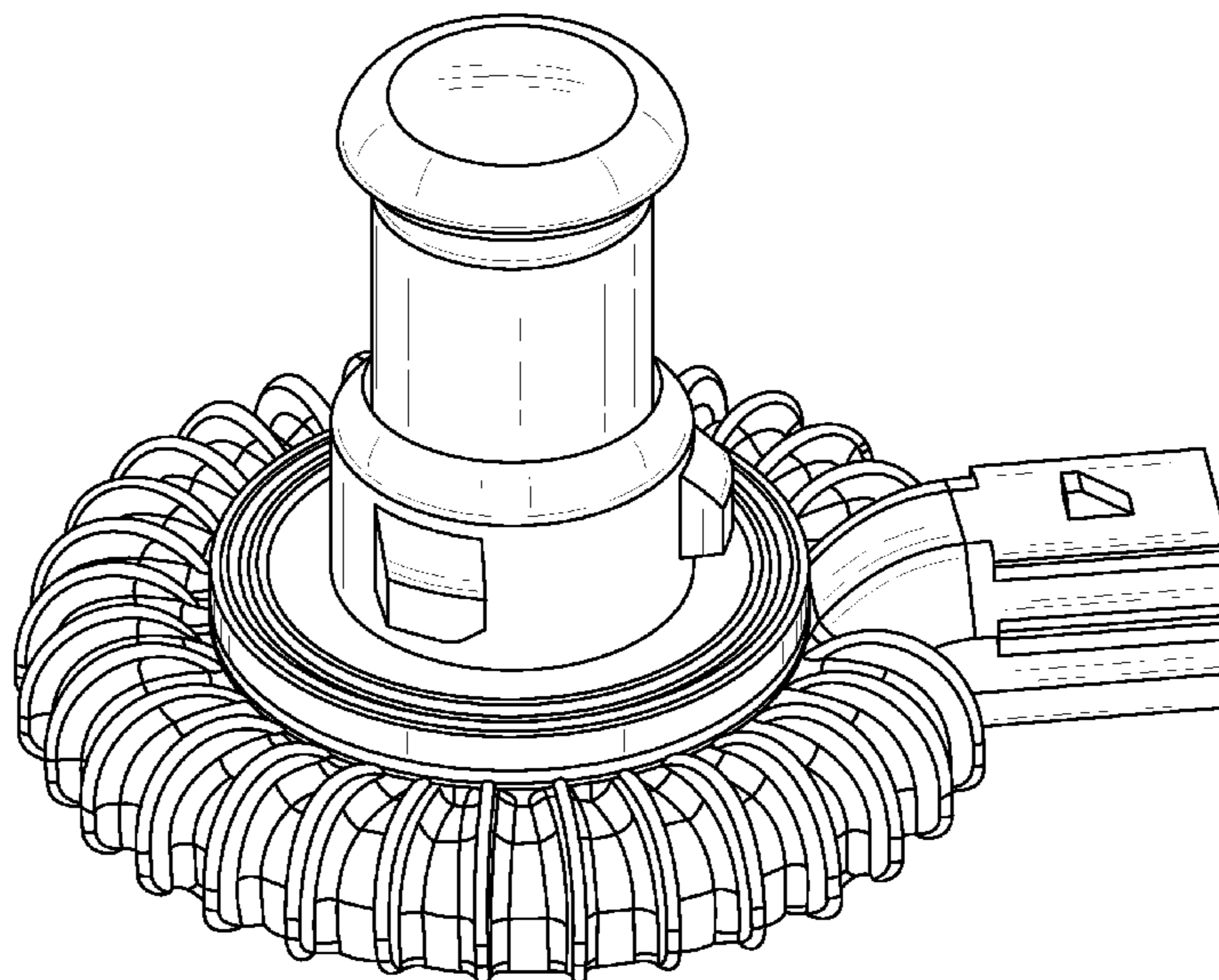
(57) **CLAIM**

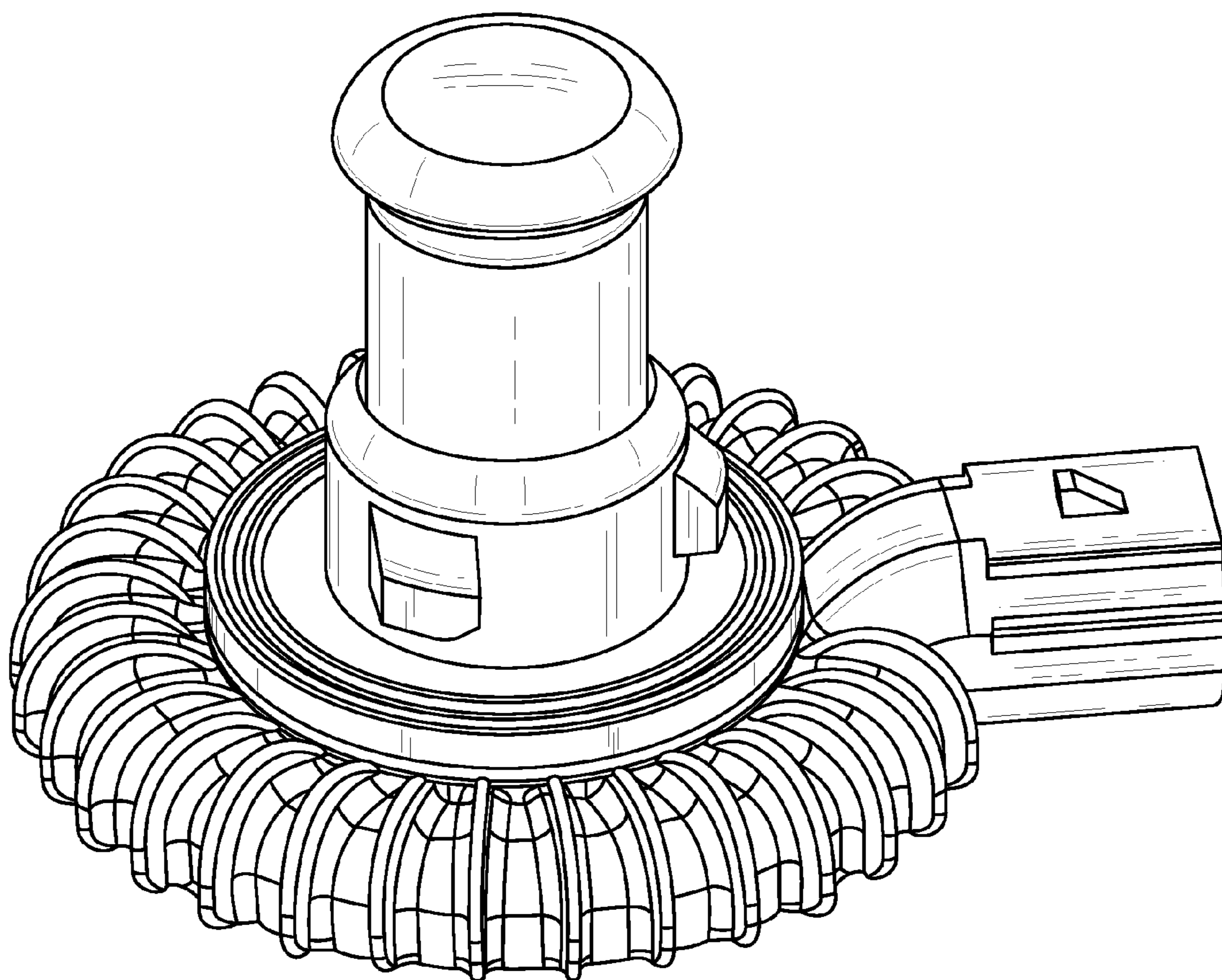
The ornamental design for a light emitting diode bulb connector, as shown and described.

**DESCRIPTION**

The FIGURE is a perspective view of a light emitting diode bulb connector showing our new design.

**1 Claim, 1 Drawing Sheet**





*Figure*