



US00D610541S

(12) **United States Design Patent**
Mueller et al.

(10) **Patent No.:** **US D610,541 S**

(45) **Date of Patent:** **** Feb. 23, 2010**

(54) **CURRENT TRANSDUCER**

D550,619 S * 9/2007 Ricci et al. D13/110

(75) Inventors: **Gerwin Mueller**, Kiel (DE); **Gerd Witt**, Kiel (DE)

(73) Assignee: **Phoenix Contact GmbH & Co. KG**, Blomberg (DE)

(**) Term: **14 Years**

(21) Appl. No.: **29/314,399**

(22) Filed: **Mar. 25, 2009**

(51) **LOC (9) Cl.** **13-02**

(52) **U.S. Cl.** **D13/110**

(58) **Field of Classification Search** D13/110,
D13/101, 117, 123, 124, 159, 184, 199; D10/75;
73/767, 771, 779, 801, 811; 324/117 H,
324/120, 121 R, 127; 361/18, 30, 31; 367/140;
369/13.11–13.13

See application file for complete search history.

(56) **References Cited**

U.S. PATENT DOCUMENTS

4,059,798	A *	11/1977	Dierker et al.	324/127
4,138,882	A *	2/1979	Lockery et al.	73/767
5,103,163	A *	4/1992	McLyman	324/117 H
D419,964	S *	2/2000	Holce et al.	D13/159
6,175,229	B1 *	1/2001	Becker et al.	324/117 H
D496,905	S *	10/2004	Hsu et al.	D13/110
D510,881	S *	10/2005	Morel	D10/78
D534,120	S *	12/2006	Ricci et al.	D13/110
D549,172	S *	8/2007	Suzuki	D13/110
D550,618	S *	9/2007	Ricci et al.	D13/110

OTHER PUBLICATIONS

Co-pending U.S. Appl. No. 29/334,350, filed Mar. 25, 2009, entitled "Current Transducer".

* cited by examiner

Primary Examiner—Prabhakar Deshmukh

Assistant Examiner—Derrick Holland

(74) *Attorney, Agent, or Firm*—Darby & Darby

(57) **CLAIM**

The ornamental design for a current transducer, as shown and described.

DESCRIPTION

The patent or application file contains at least one drawing executed in color. Copies of this patent with color drawings will be provided by the Office upon request and payment of the necessary fee.

FIG. 1 is a color perspective view from front, left, top-side of a current transducer showing our new design;

FIG. 2 is a color view from the right side thereof;

FIG. 3 is a color view from the rear side thereof;

FIG. 4 is a color view from the front side thereof;

FIG. 5 is a color view from the left side thereof;

FIG. 6 is a color bottom plan view thereof; and,

FIG. 7 is a color top plan view thereof.

1 Claim, 7 Drawing Sheets
(7 of 7 Drawing Sheet(s) Filed in Color)

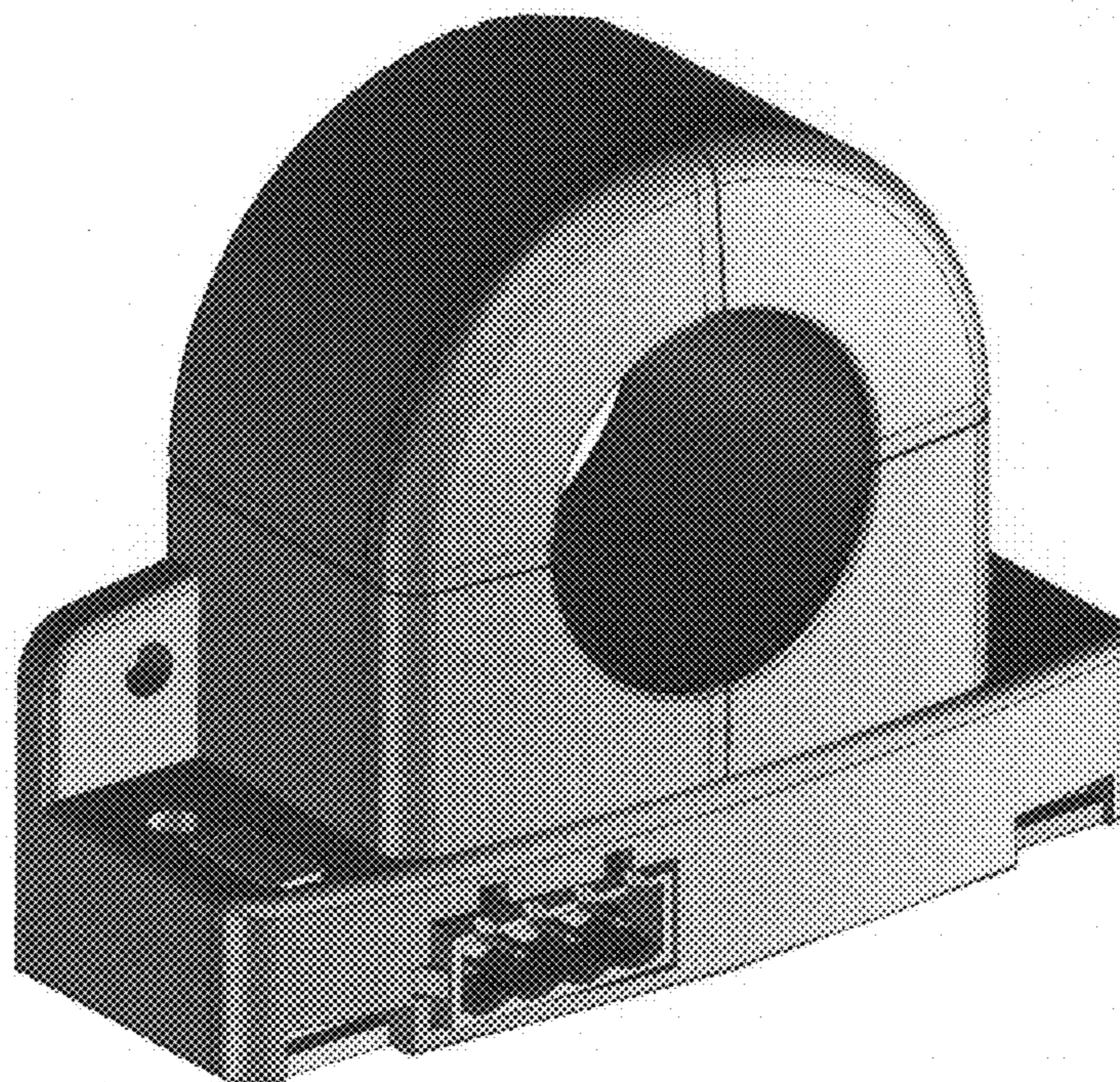


FIG. 1

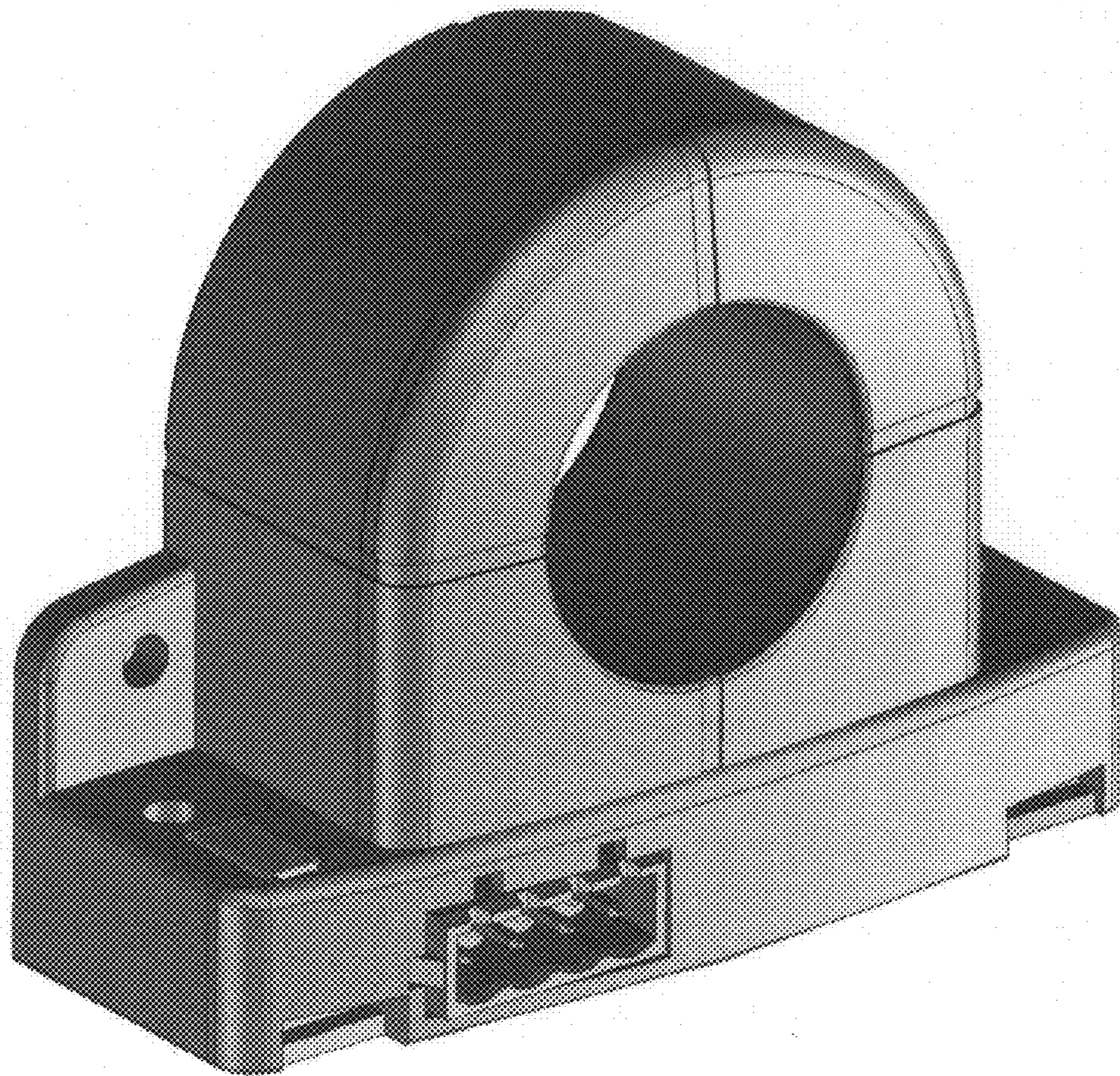


FIG. 2

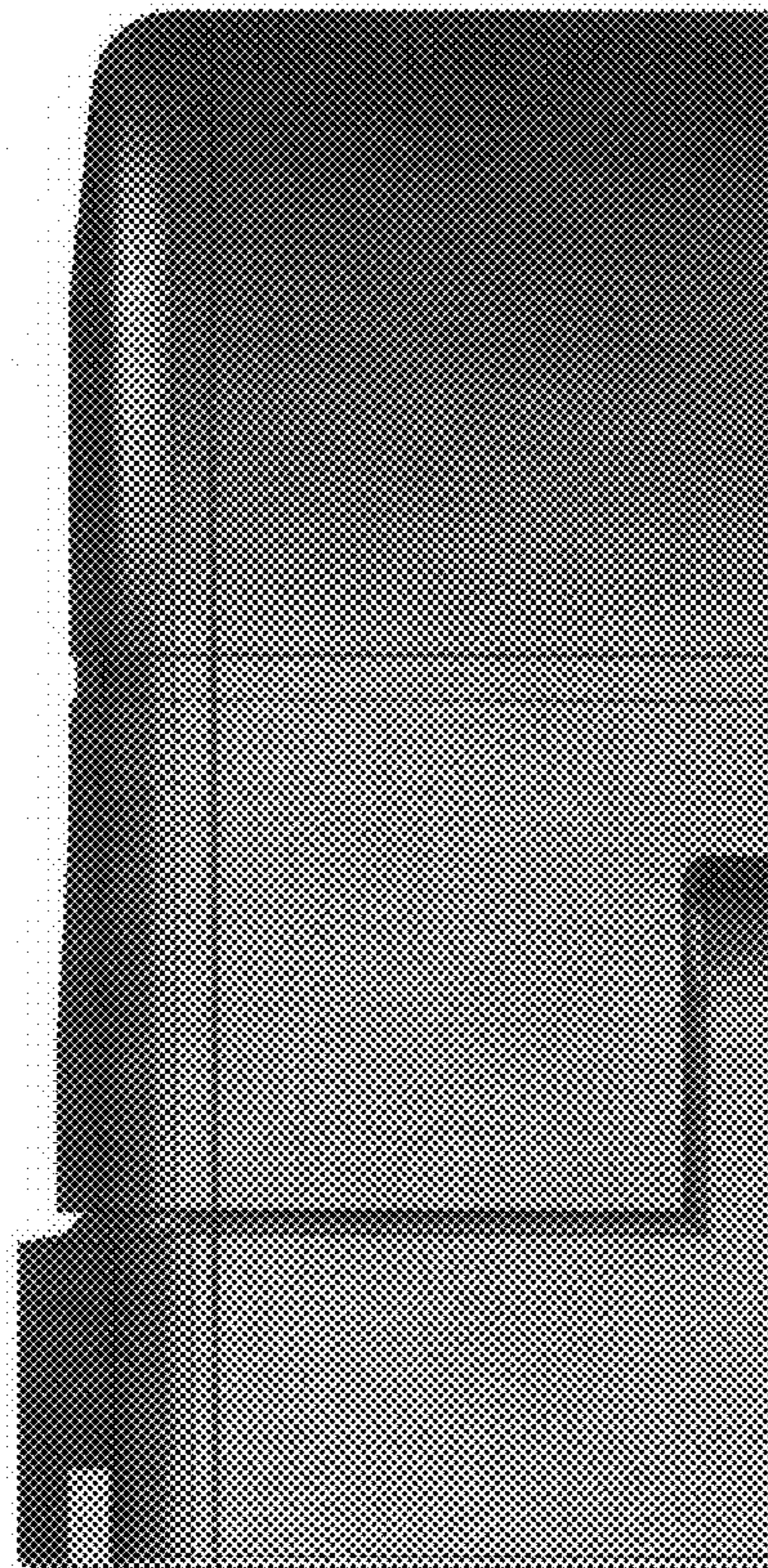


FIG. 3

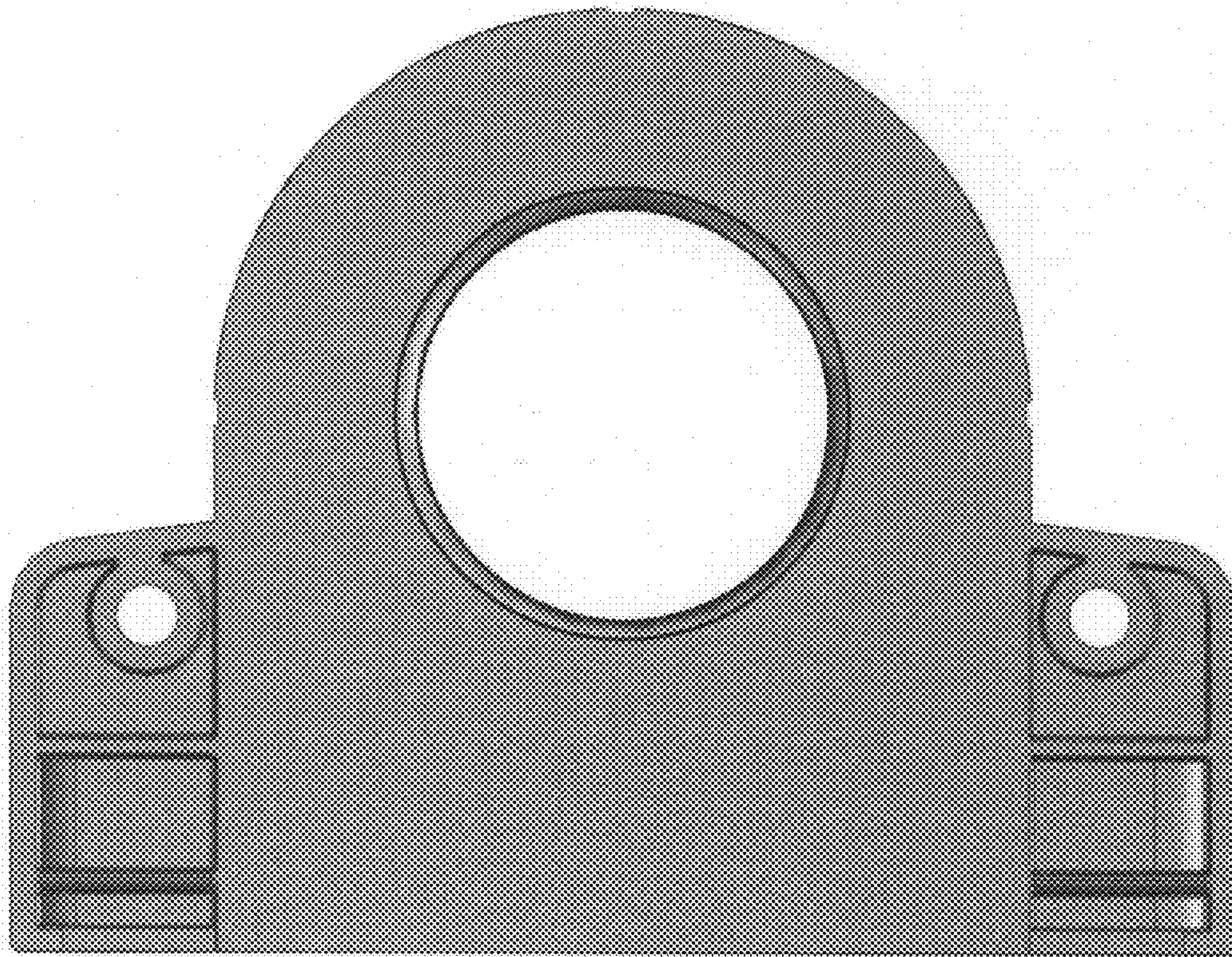


FIG. 4

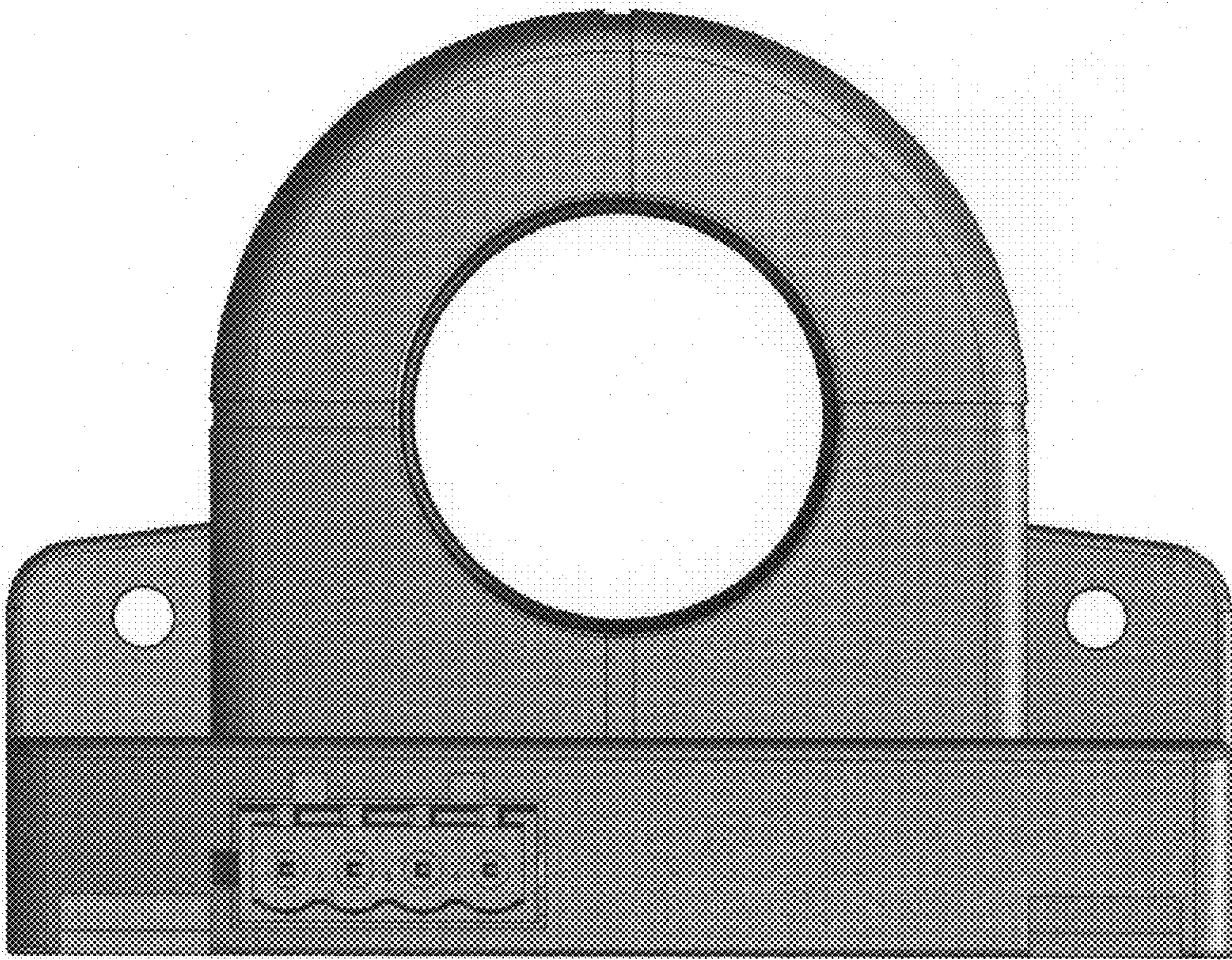


FIG. 5

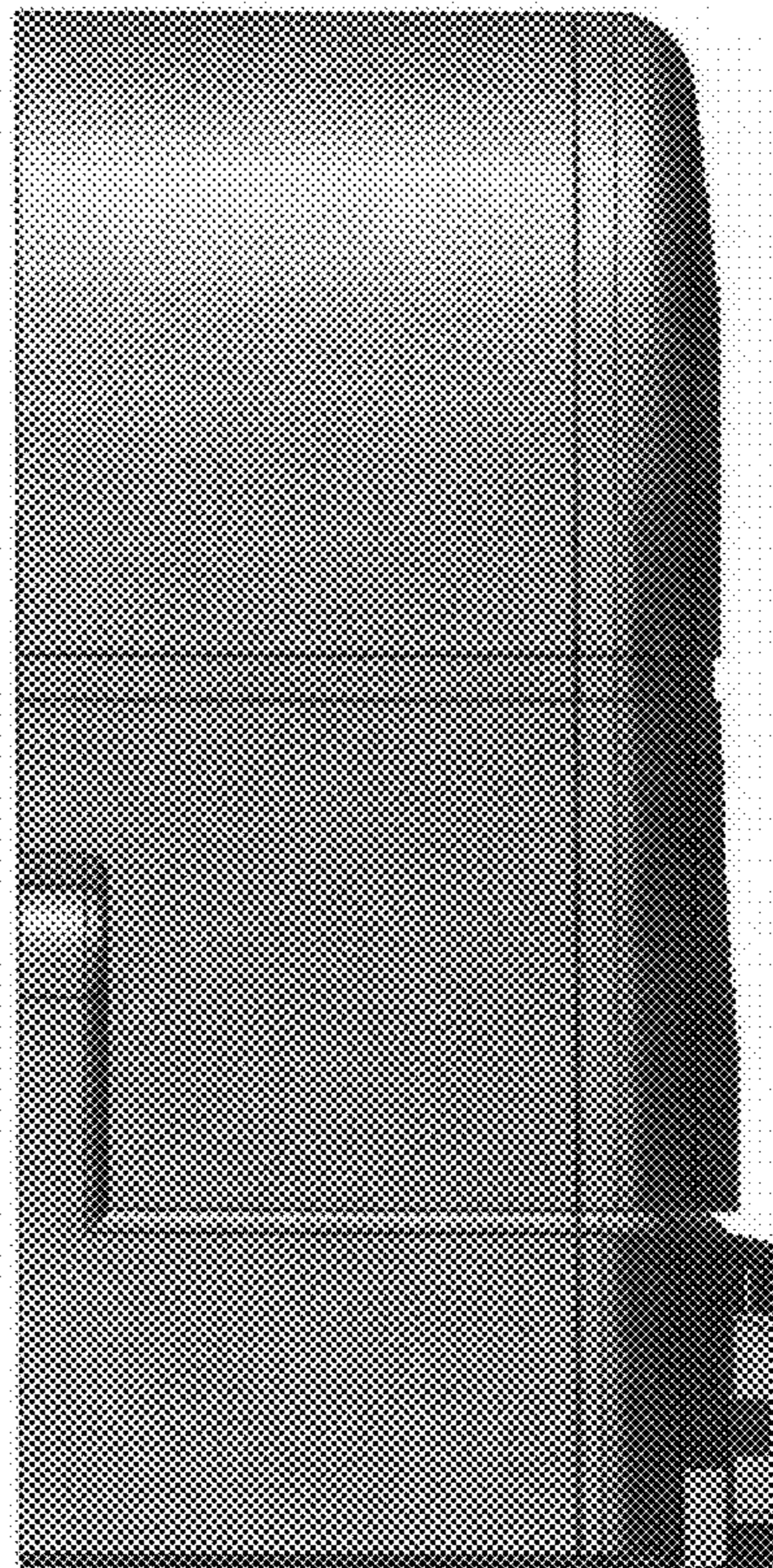


FIG. 6

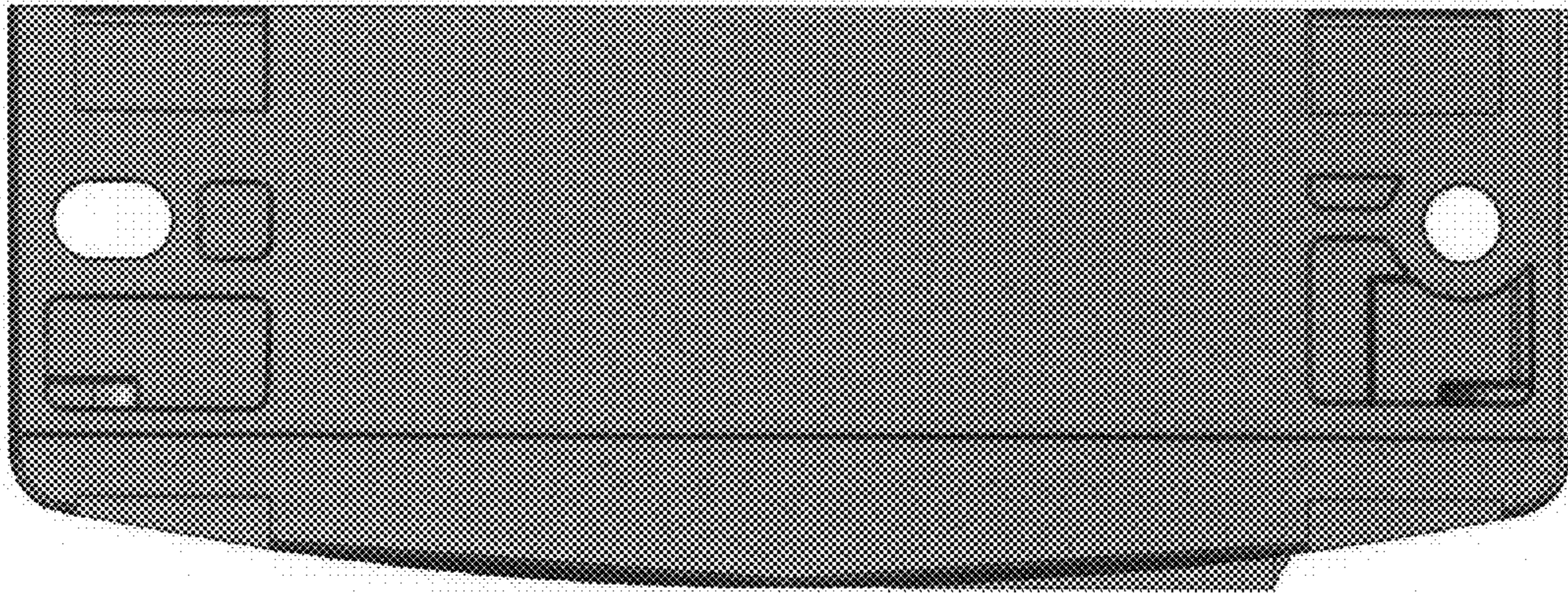


FIG. 7

