



US00D610540S

(12) **United States Design Patent**  
**Engel et al.**

(10) **Patent No.:** **US D610,540 S**

(45) **Date of Patent:** **\*\* \*Feb. 23, 2010**

(54) **INVERTER**

(75) Inventors: **Bernd Engel**, Wolfenbüttel (DE);  
**Andreas Donth**, Edermündel (DE)

(73) Assignee: **SMA Solar Technology AG**, Niestetal  
(DE)

(\* ) Notice: This patent is subject to a terminal dis-  
claimer.

(\*\* ) Term: **14 Years**

(21) Appl. No.: **29/312,796**

(22) Filed: **Nov. 12, 2008**

(30) **Foreign Application Priority Data**

May 19, 2008 (EM) ..... 000937578

(51) **LOC (9) Cl.** ..... **13-02**

(52) **U.S. Cl.** ..... **D13/110**

(58) **Field of Classification Search** ..... D13/110,  
D13/123, 184, 199; 337/186; 361/600, 601,  
361/730; 363/141, 142

See application file for complete search history.

(56) **References Cited**

**U.S. PATENT DOCUMENTS**

4,872,102 A \* 10/1989 Getter ..... 363/141  
5,170,336 A \* 12/1992 Getter et al. .... 363/141  
D349,682 S \* 8/1994 Hunziker ..... D13/110

D413,567 S \* 9/1999 Person et al. .... D13/110  
D427,146 S \* 6/2000 Wei ..... D13/110  
D427,148 S \* 6/2000 Wei ..... D13/110  
D436,918 S \* 1/2001 Matsuda ..... D13/110  
D483,725 S \* 12/2003 Thompson et al. .... D13/184  
D496,629 S \* 9/2004 Hriscu et al. .... D13/110  
D507,528 S \* 7/2005 Feldman et al. .... D13/110  
D526,614 S \* 8/2006 Kajiura ..... D13/110

\* cited by examiner

*Primary Examiner*—Prabhakar Deshmukh

*Assistant Examiner*—Derrick Holland

(74) *Attorney, Agent, or Firm*—Thomas D. Vigil

(57) **CLAIM**

The ornamental design for an inverter, as shown and  
described.

**DESCRIPTION**

FIG. 1 is a top perspective view of an inverter showing our  
new design;

FIG. 2 is a top plan thereof;

FIG. 3 is a left side view thereof;

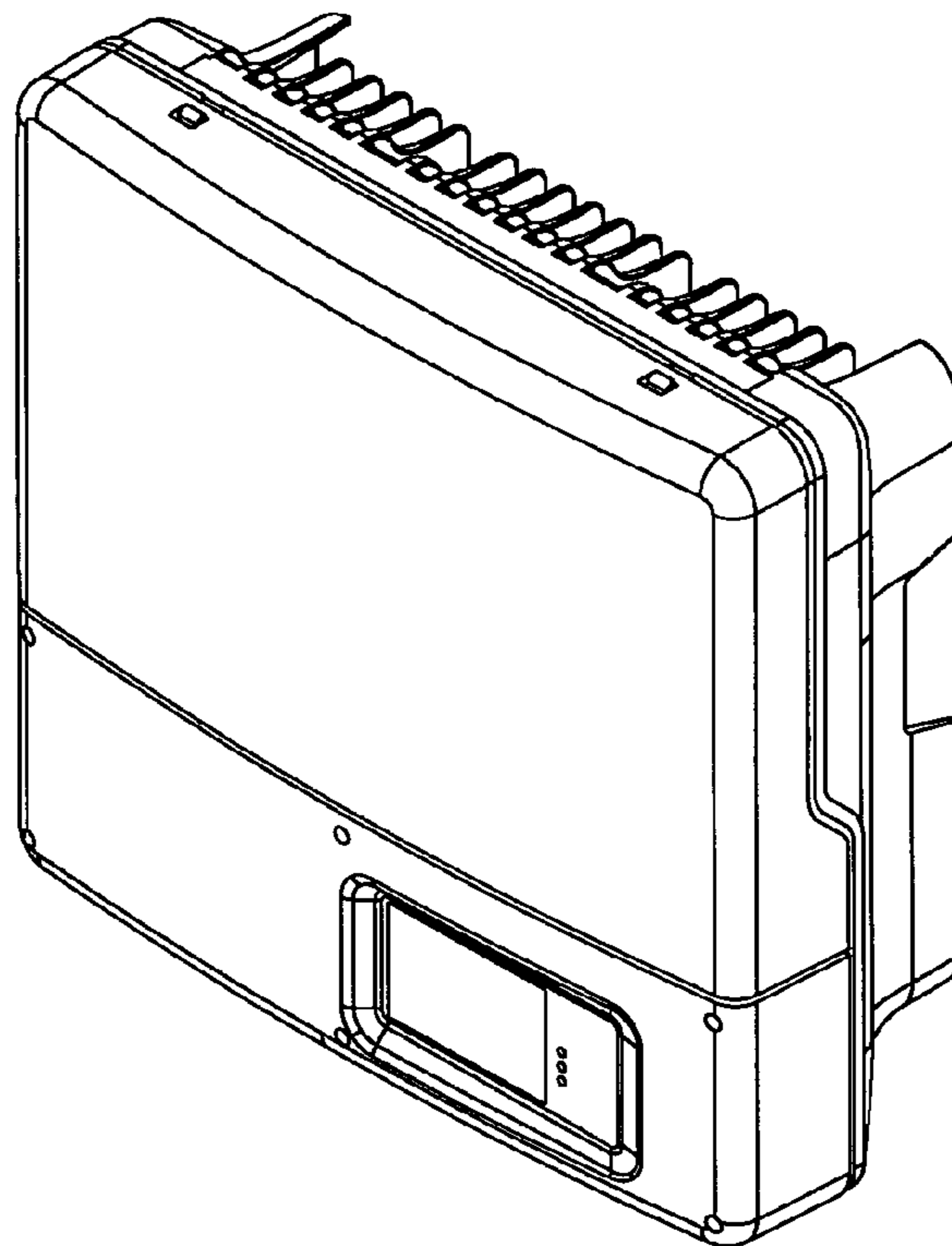
FIG. 4 is a bottom plan view thereof;

FIG. 5 is a front elevation view thereof; and,

FIG. 6 is a rear elevation view thereof.

The broken lines shown represent unclaimed subject matter  
and form no part of the claimed design.

**1 Claim, 6 Drawing Sheets**



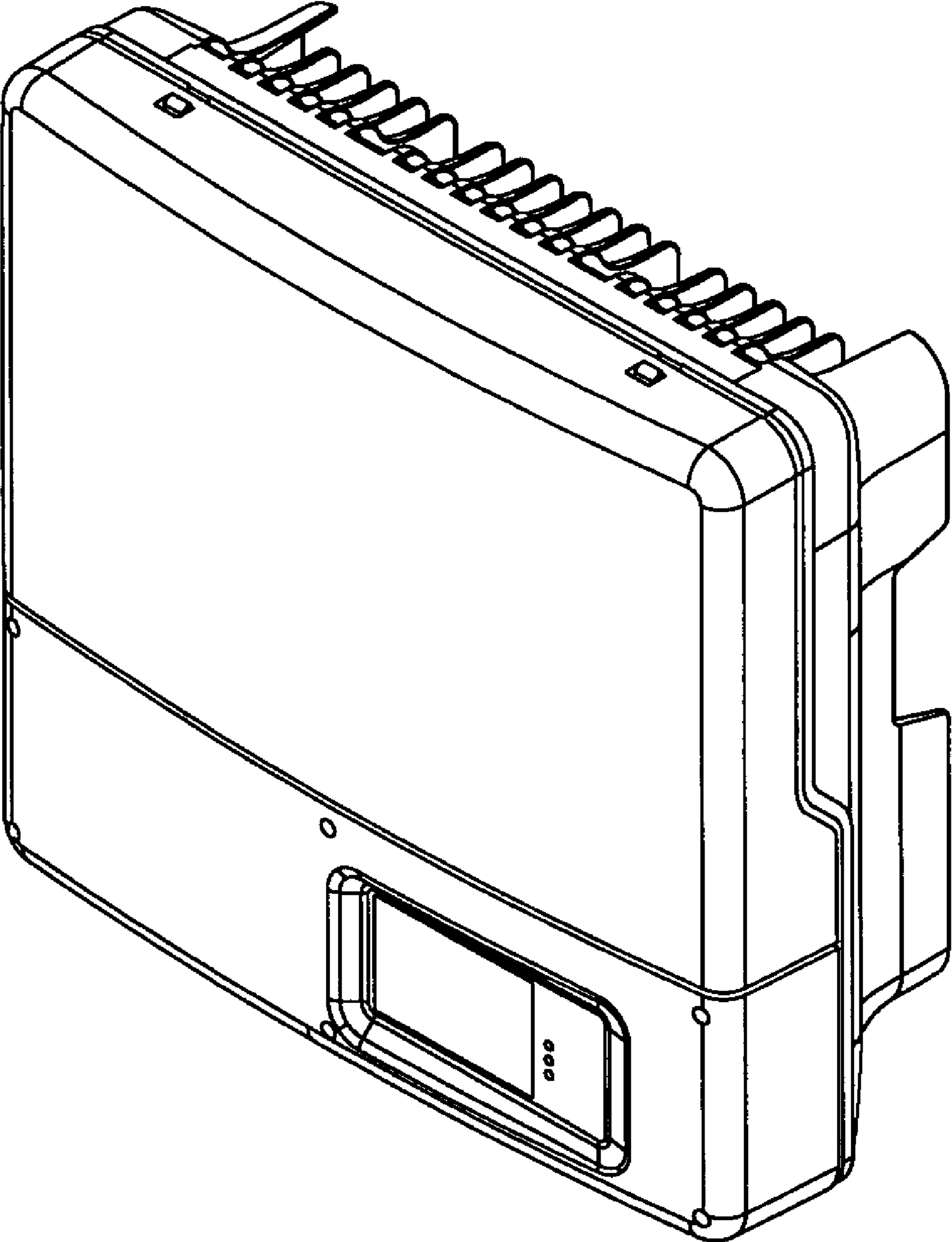


FIG. 1

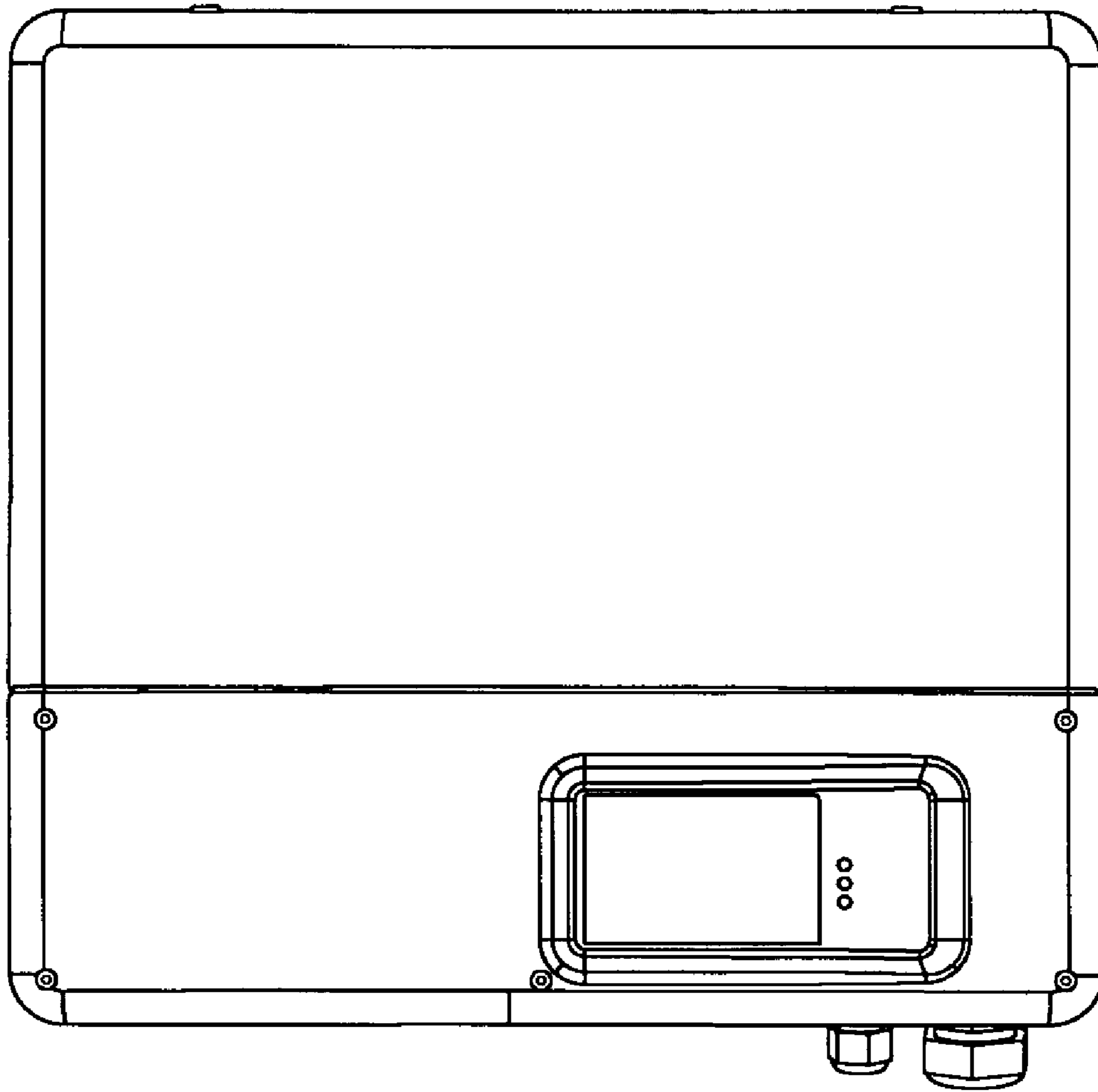


FIG. 2

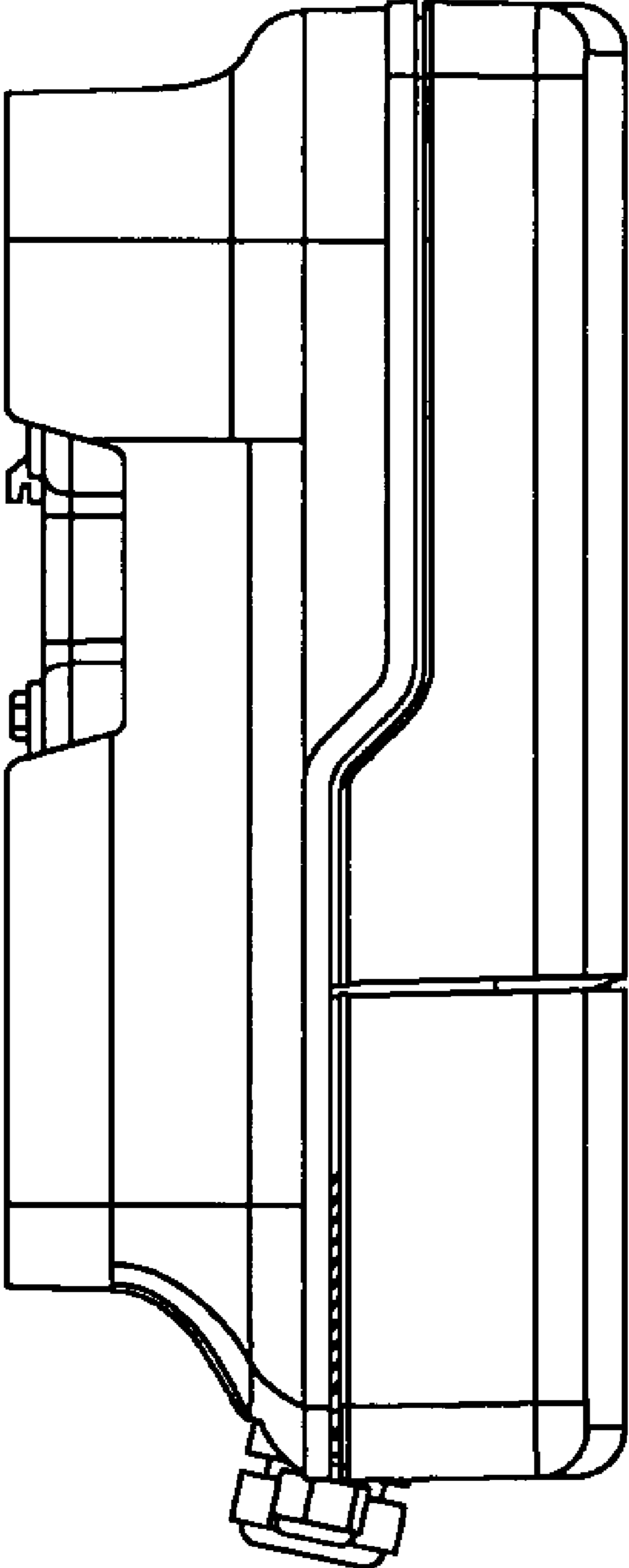


FIG. 3

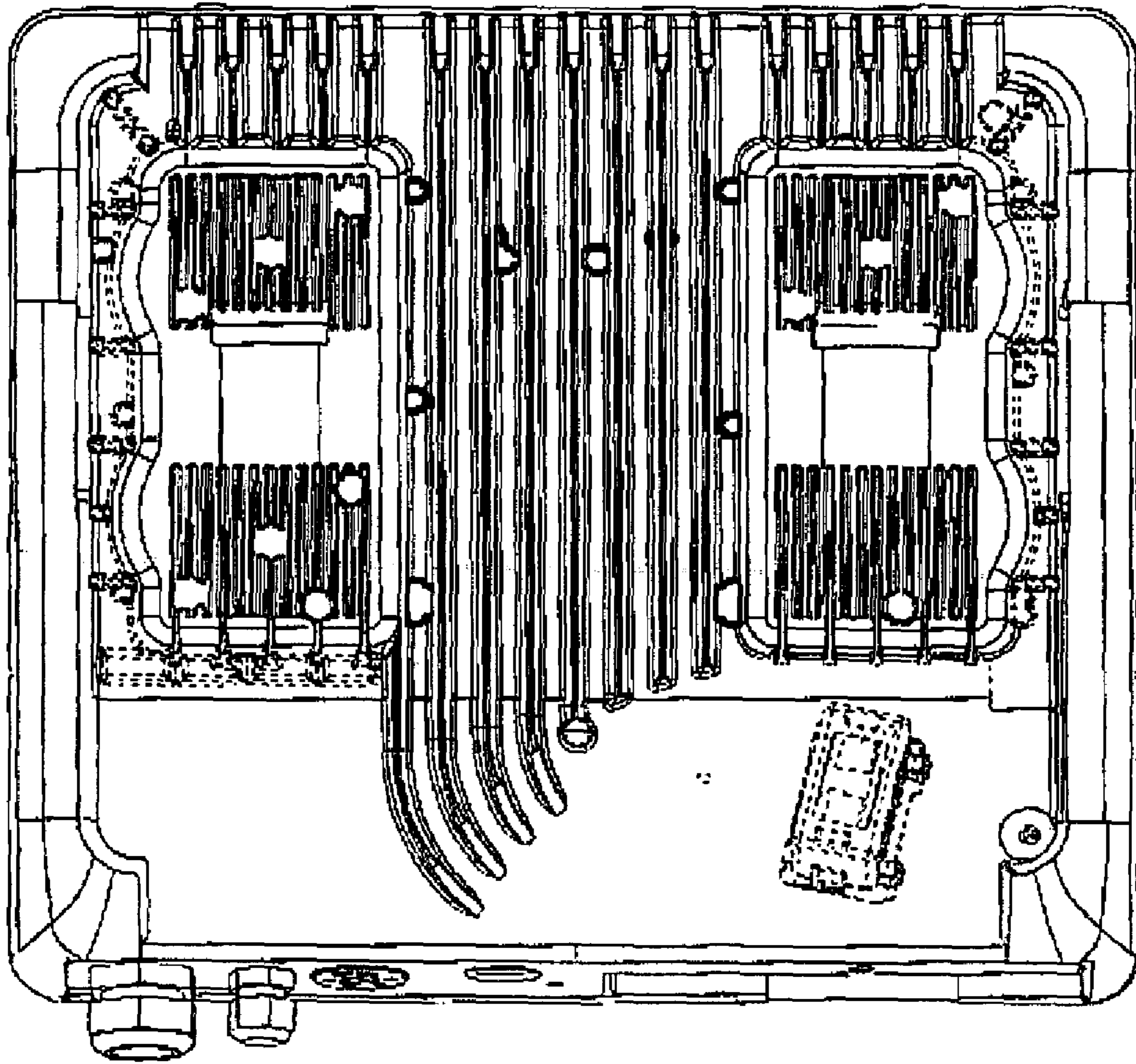


FIG. 4

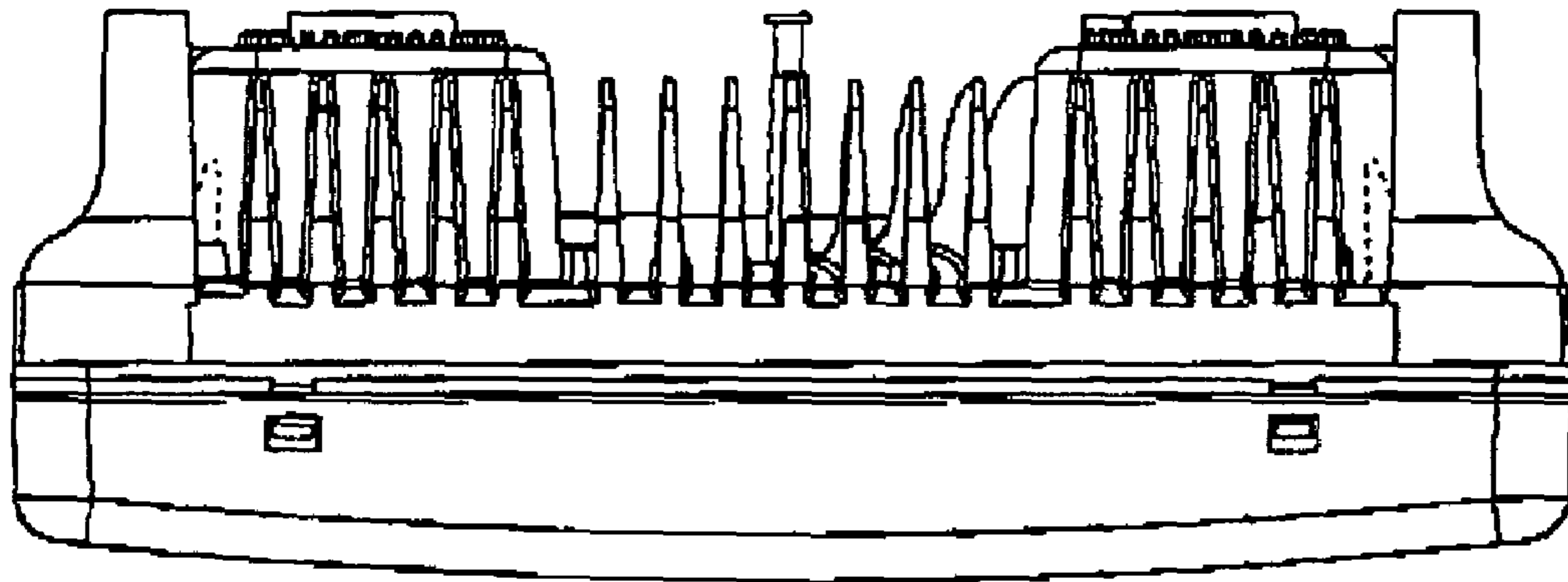


FIG. 5

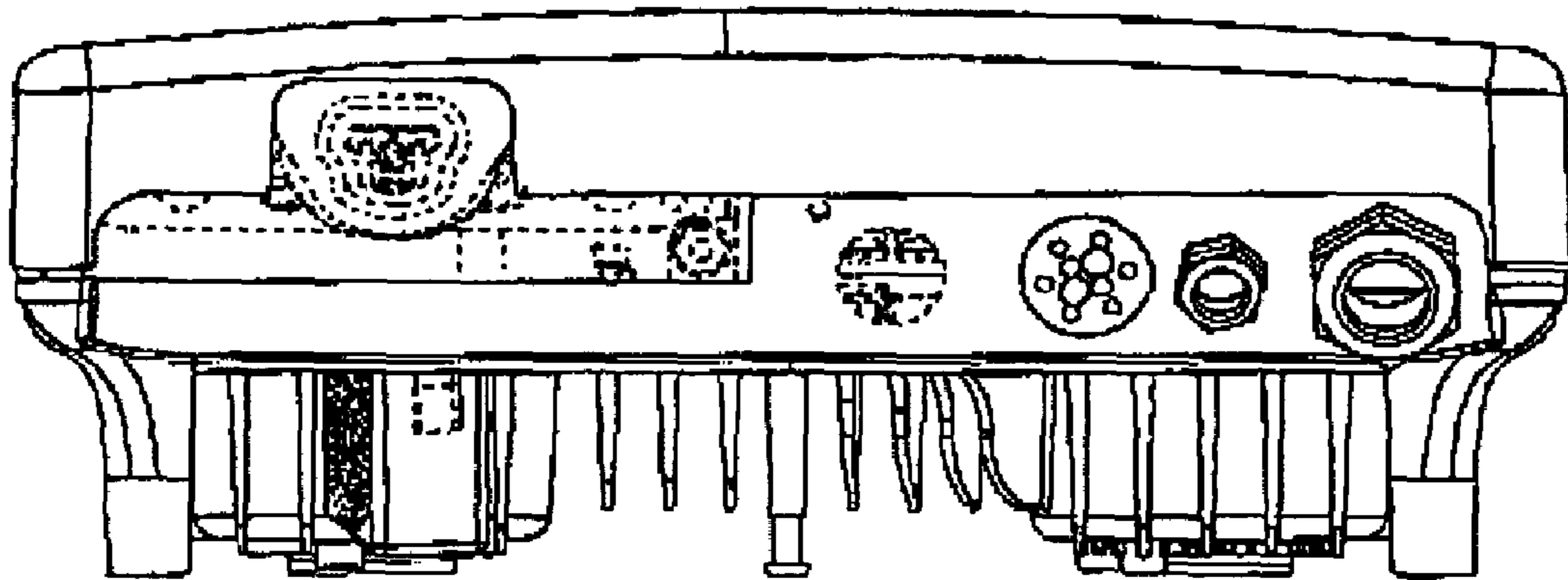


FIG. 6



UNITED STATES PATENT AND TRADEMARK OFFICE  
**CERTIFICATE OF CORRECTION**

PATENT NO. : Des. 610,540 S  
APPLICATION NO. : 29/312796  
DATED : February 23, 2010  
INVENTOR(S) : Bernd Engel and Andreas Donth

Page 1 of 1

It is certified that error appears in the above-identified patent and that said Letters Patent is hereby corrected as shown below:

On the Title Page: change “(75) Inventors: Bernd Engel, Wolfenbüttel (DE);  
Andreas Donth, Edermündel (DE)”

to: --(75) Inventors: Bernd Engel, Wolfenbüttel (DE);  
Andreas Donth, Edermünde (DE)--

Signed and Sealed this

Tenth Day of August, 2010



David J. Kappos  
*Director of the United States Patent and Trademark Office*