



US00D610536S

(12) **United States Design Patent**
Brumels

(10) **Patent No.:** **US D610,536 S**

(45) **Date of Patent:** **** Feb. 23, 2010**

(54) **SOLAR DEVICE**

(75) Inventor: **Craig Brumels**, Holland, MI (US)

(73) Assignee: **Intense Solar, LLC**, St. Joseph, MI (US)

(**) Term: **14 Years**

(21) Appl. No.: **29/338,023**

(22) Filed: **Jun. 3, 2009**

(51) **LOC (9) Cl.** **13-02**

(52) **U.S. Cl.** **D13/102**

(58) **Field of Classification Search** D13/102,
D13/101, 184, 199; D26/67, 68, 69; 126/569,
126/600, 603, 605; 136/206, 243, 244, 291;
362/183, 431, 432, 802

See application file for complete search history.

(56) **References Cited**

U.S. PATENT DOCUMENTS

4,200,904	A	4/1980	Doan	
4,281,369	A	7/1981	Batte	
4,551,793	A	11/1985	Mellema	
4,937,718	A	6/1990	Murray	
D309,789	S *	8/1990	Luce	D26/68
D311,722	S *	10/1990	Cheng	D13/102
4,995,377	A *	2/1991	Eiden	126/605
5,136,493	A	8/1992	Straus et al.	
5,149,188	A	9/1992	Robbins	
5,217,296	A	6/1993	Tanner et al.	
5,266,738	A	11/1993	MacVoy	
D404,842	S	1/1999	Hurst	
6,058,930	A *	5/2000	Shingleton	126/600
D469,399	S *	1/2003	Shugar	D13/102
6,784,357	B1	8/2004	Wang	
6,942,361	B1	9/2005	Kishimura et al.	
6,960,717	B2	11/2005	Stuart et al.	
D517,233	S	3/2006	Doppelt	
D543,500	S *	5/2007	Parness et al.	D13/102
D564,691	S *	3/2008	Ertze Encinas et al.	D26/69

D573,742	S	7/2008	Bears
2005/0068765	A1	3/2005	Ertze Encinas et al.
2005/0174762	A1	8/2005	Fogerlie
2007/0002561	A1	1/2007	Tesmer et al.
2007/0159836	A1	7/2007	Huang et al.
2008/0094818	A1	4/2008	Harris
2008/0298051	A1	12/2008	Chu

FOREIGN PATENT DOCUMENTS

FR 2 592 461 A1 12/1985

* cited by examiner

Primary Examiner—Prabhakar Deshmukh

Assistant Examiner—Derrick Holland

(74) *Attorney, Agent, or Firm*—Price, Heneveld, Cooper, DeWitt & Litton, LLP

(57) **CLAIM**

I claim the ornamental design for a solar device, as shown and described.

DESCRIPTION

FIG. 1 is a front-right-side perspective view of a solar device, showing my new design;

FIG. 2 is a front-left-side perspective view thereof;

FIG. 3 is a left-side view thereof;

FIG. 4 is a front view thereof;

FIG. 5 is a right-side view thereof;

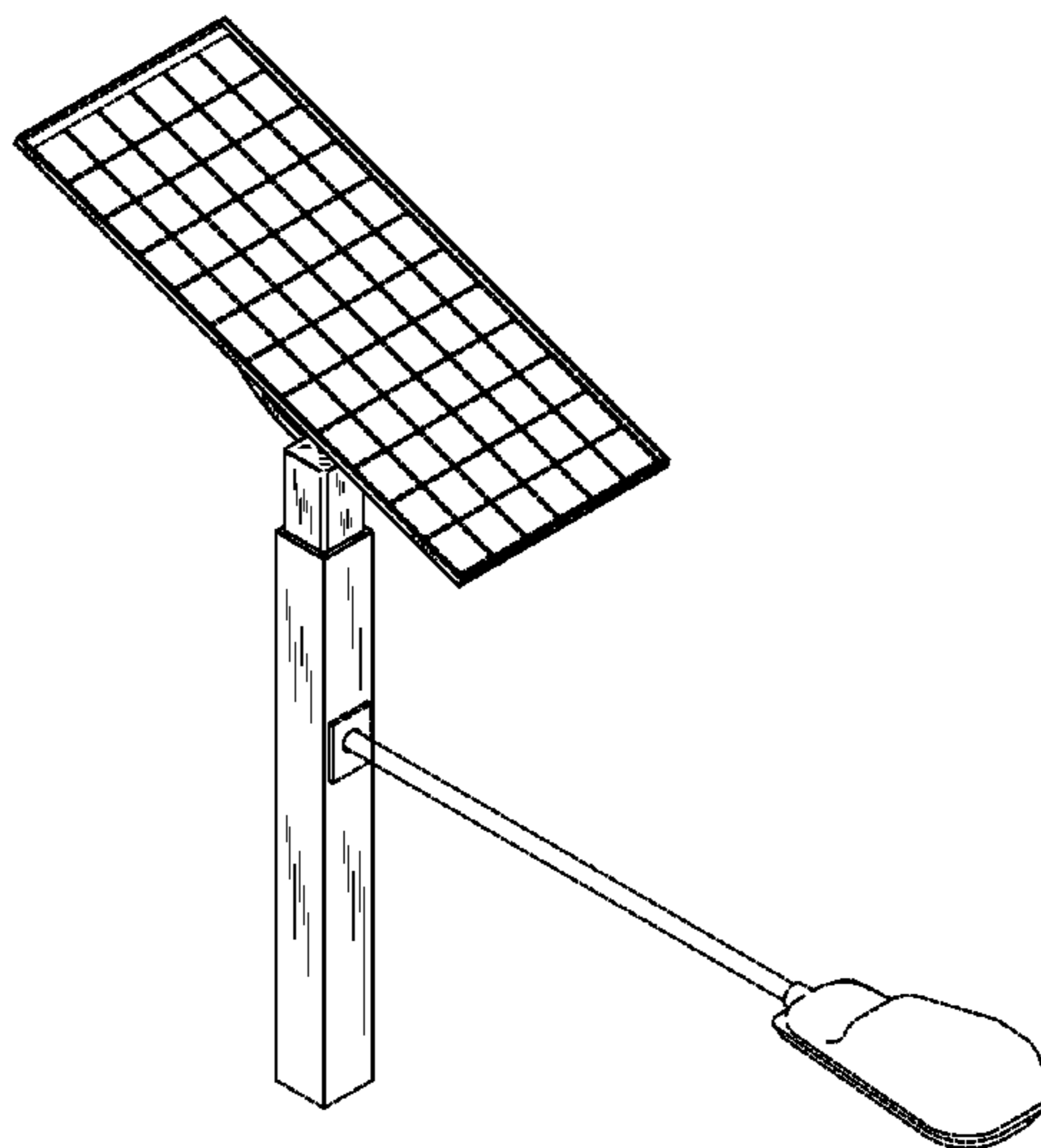
FIG. 6 is a rear view thereof;

FIG. 7 is a top view thereof; and,

FIG. 8 is a bottom view thereof.

The broken lines that show the outer most periphery of non-claimed features represent the boundaries of the claimed design while all other broken lines are directed to an environment and are for illustrative purposes only; the broken lines form no part of the claimed design.

1 Claim, 4 Drawing Sheets



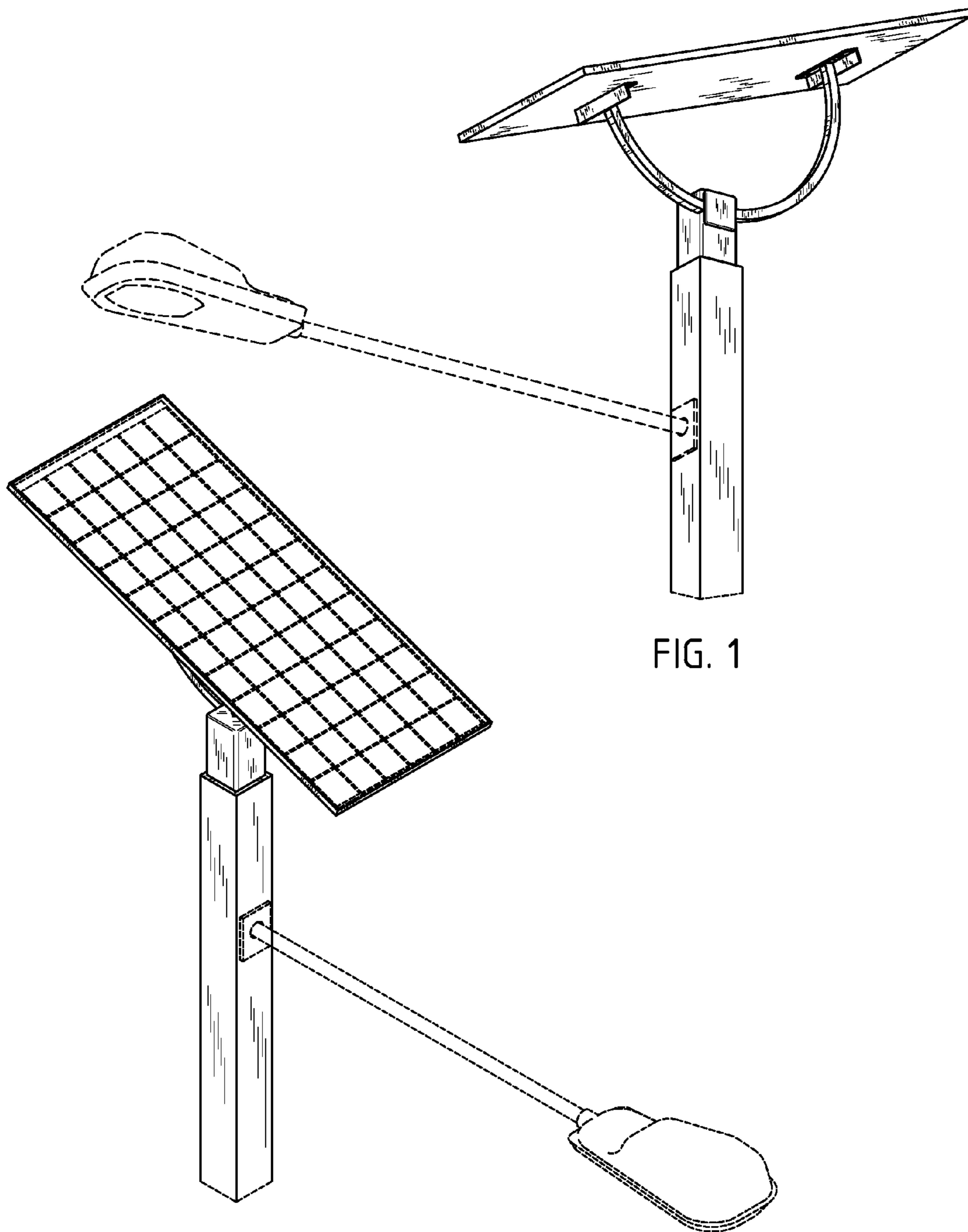


FIG. 1

FIG. 2

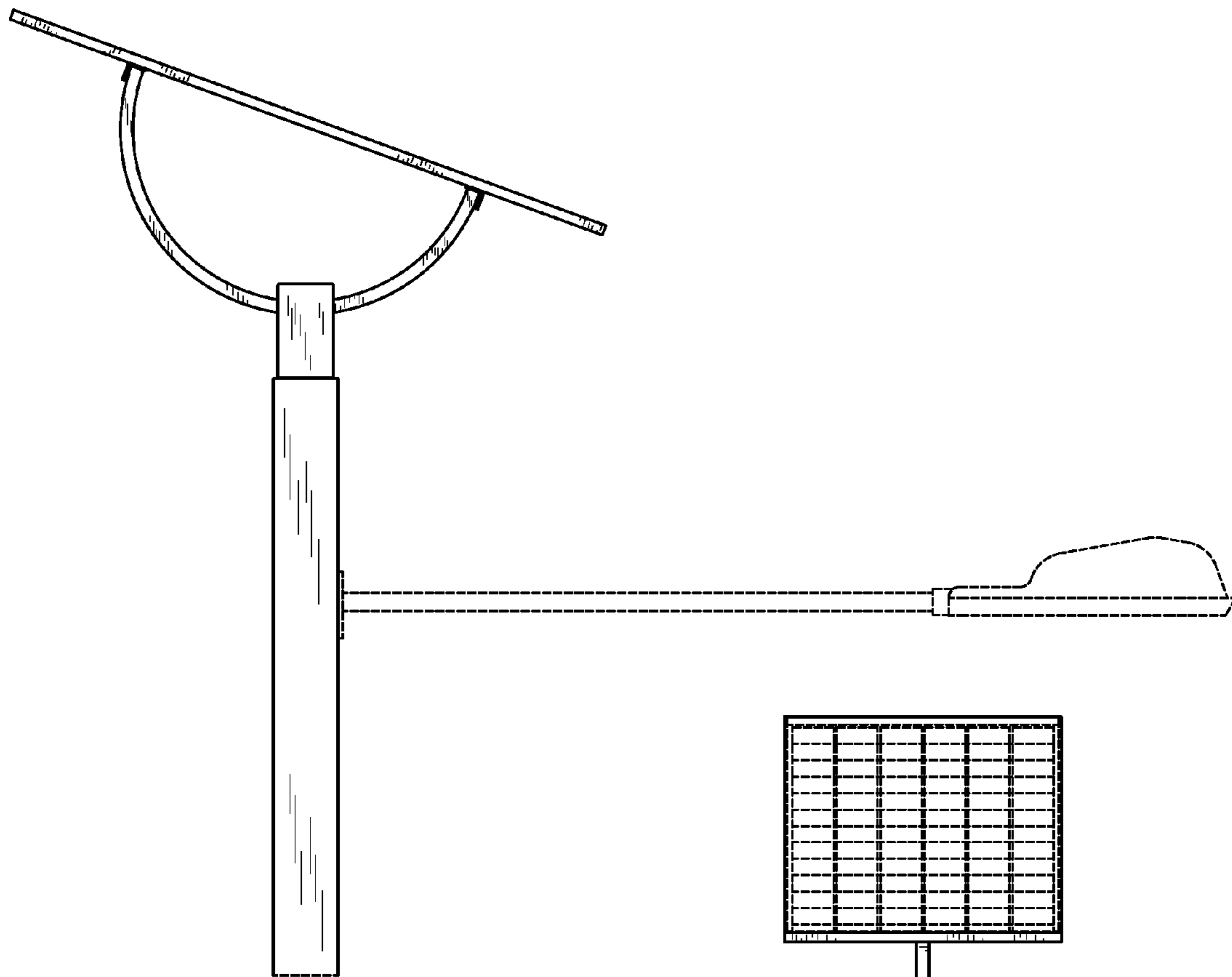


FIG. 3

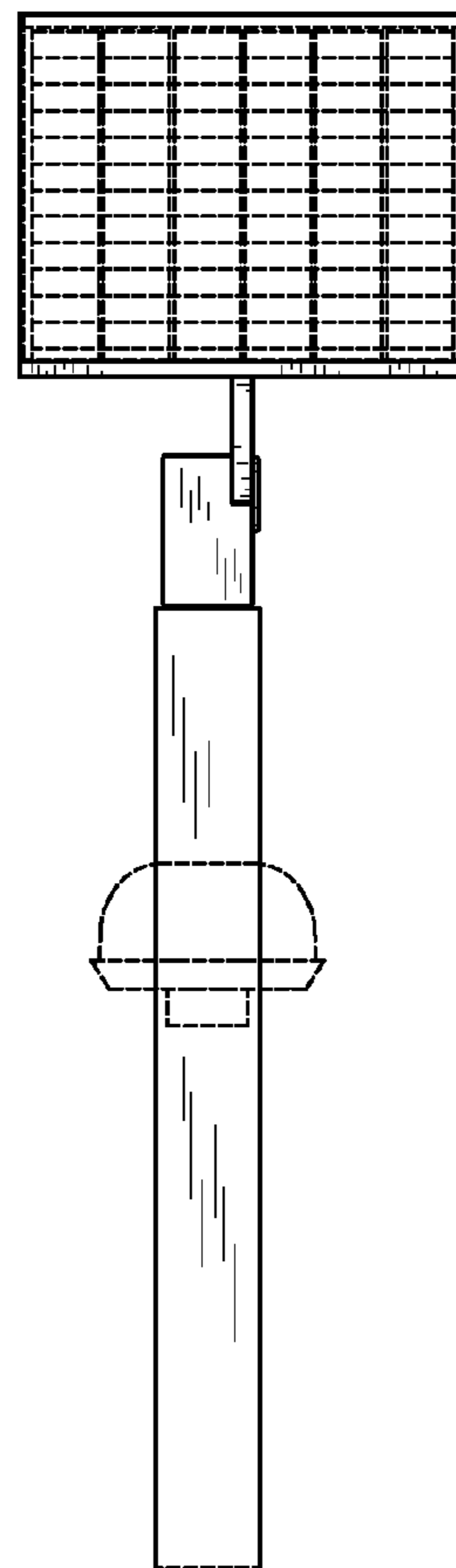


FIG. 4

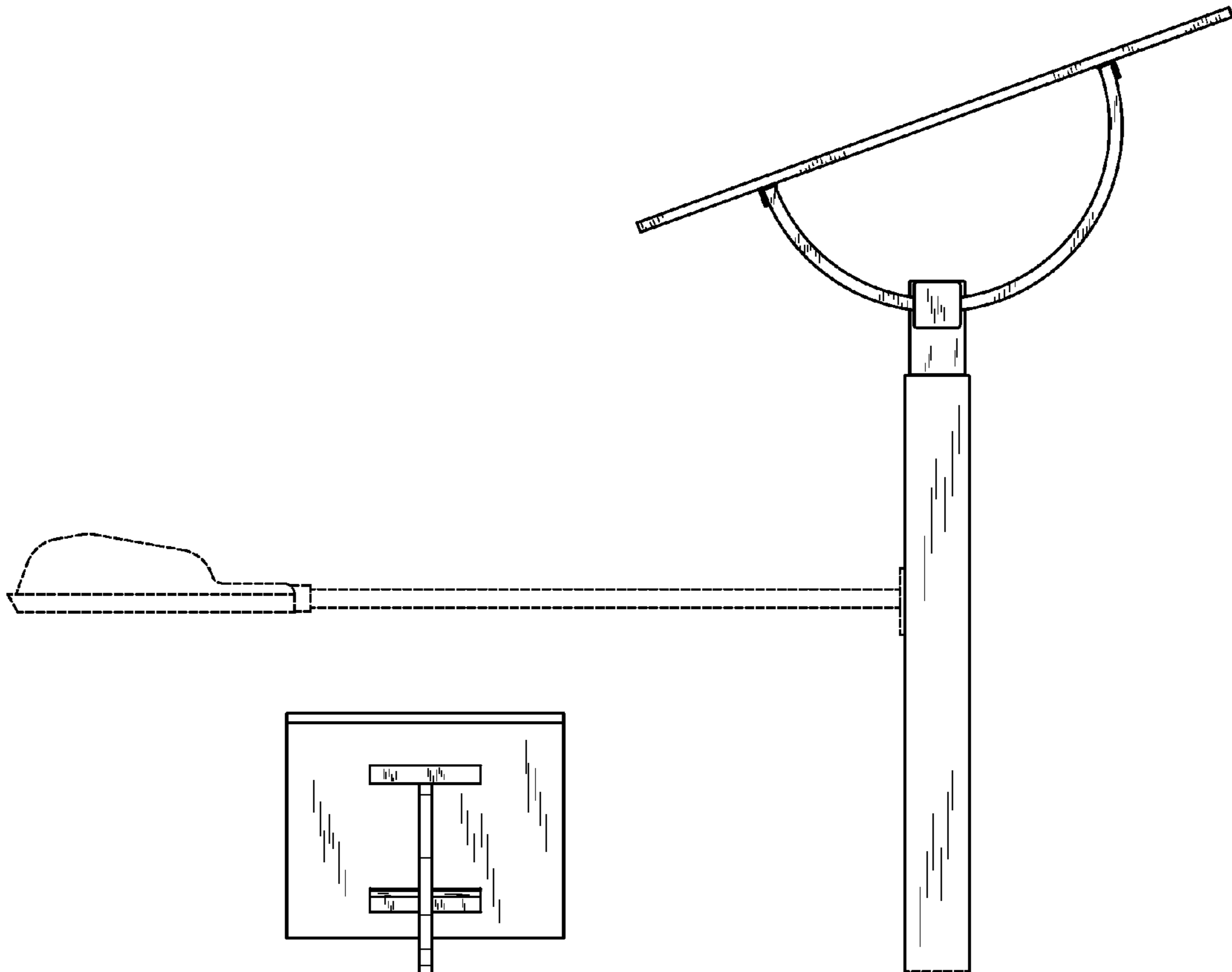


FIG. 5

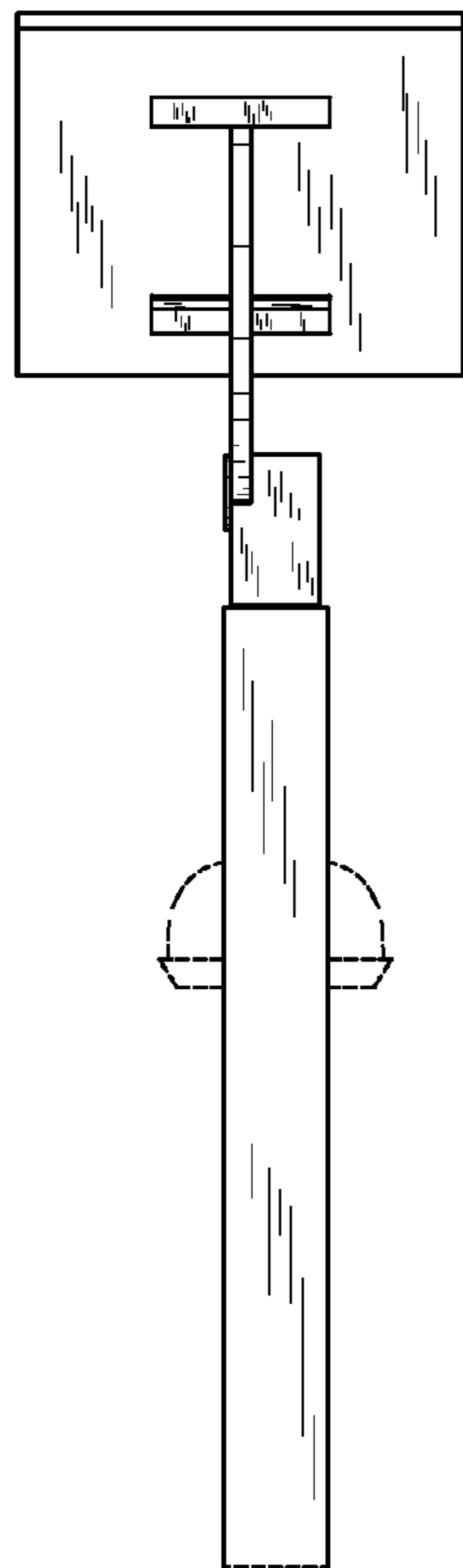


FIG. 6

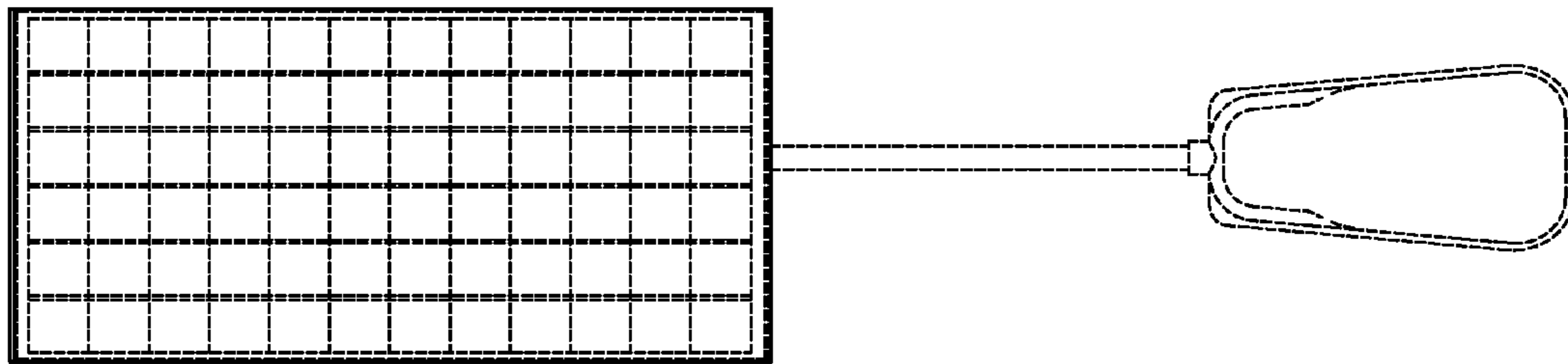


FIG. 7

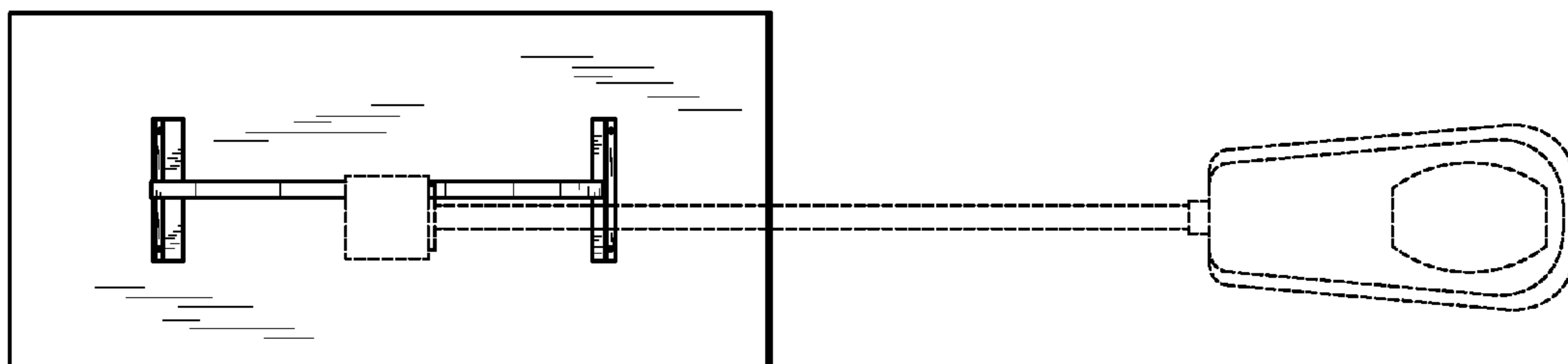


FIG. 8