



US00D610527S

(12) **United States Design Patent**
Youn

(10) **Patent No.:** **US D610,527 S**
(45) **Date of Patent:** **** Feb. 23, 2010**

(54) **AUTOMOBILE TIRE**

D595,216 S * 6/2009 Oshima D12/556

(75) Inventor: **Sung Hee Youn**, Seoul (KR)

* cited by examiner

(73) Assignee: **Hankook Tire Co., Ltd.** (KR)

Primary Examiner—Stacia Cadmus

(**) Term: **14 Years**

(74) *Attorney, Agent, or Firm*—Martine Penilla & Gencarella, LLP

(21) Appl. No.: **29/339,387**

(57) **CLAIM**

(22) Filed: **Jun. 29, 2009**

I claim, the ornamental design for an automobile tire, as shown and described.

(51) **LOC (9) Cl.** **12-15**

(52) **U.S. Cl.** **D12/556; D12/503**

(58) **Field of Classification Search** D12/503,
D12/551, 555–556, 586, 590–591, 900–901,
D12/605; 152/209.1, 209.8–209.19, 209.25–209.28
See application file for complete search history.

DESCRIPTION

FIG. 1 is a top and front perspective view of an automobile tire, with the sidewall structure removed for clarity of disclosure, showing my new design;

FIG. 2 is a front elevational view thereof;

FIG. 3 is a rear elevational view thereof;

FIG. 4 is a left side elevational view thereof;

FIG. 5 is a right side elevational view thereof;

FIG. 6 is a top plan view thereof;

FIG. 7 is a bottom plan view thereof;

FIG. 8 is an enlarged cross-sectional elevational view taken along line -8—8- of FIG. 2; and,

FIG. 9 is a partially enlarged view of the front elevational view taken between lines -9—9- of FIG. 2.

The broken lines in the figures are for illustrative purposes only and from no part of the claimed design.

(56) **References Cited**

U.S. PATENT DOCUMENTS

D398,885 S *	9/1998	Ratliff, Jr.	D12/503
D459,293 S *	6/2002	Baker et al.	D12/556
D491,518 S *	6/2004	Miyabe et al.	D12/556
D511,134 S *	11/2005	Oh	D12/556
D512,014 S *	11/2005	Ishida et al.	D12/556
D541,212 S *	4/2007	Smith et al.	D12/605
D542,732 S *	5/2007	Reim	D12/565
D559,771 S *	1/2008	Robert et al.	D12/556
D588,982 S *	3/2009	Takahashi	D12/556
D588,983 S *	3/2009	Takahashi	D12/556

1 Claim, 8 Drawing Sheets

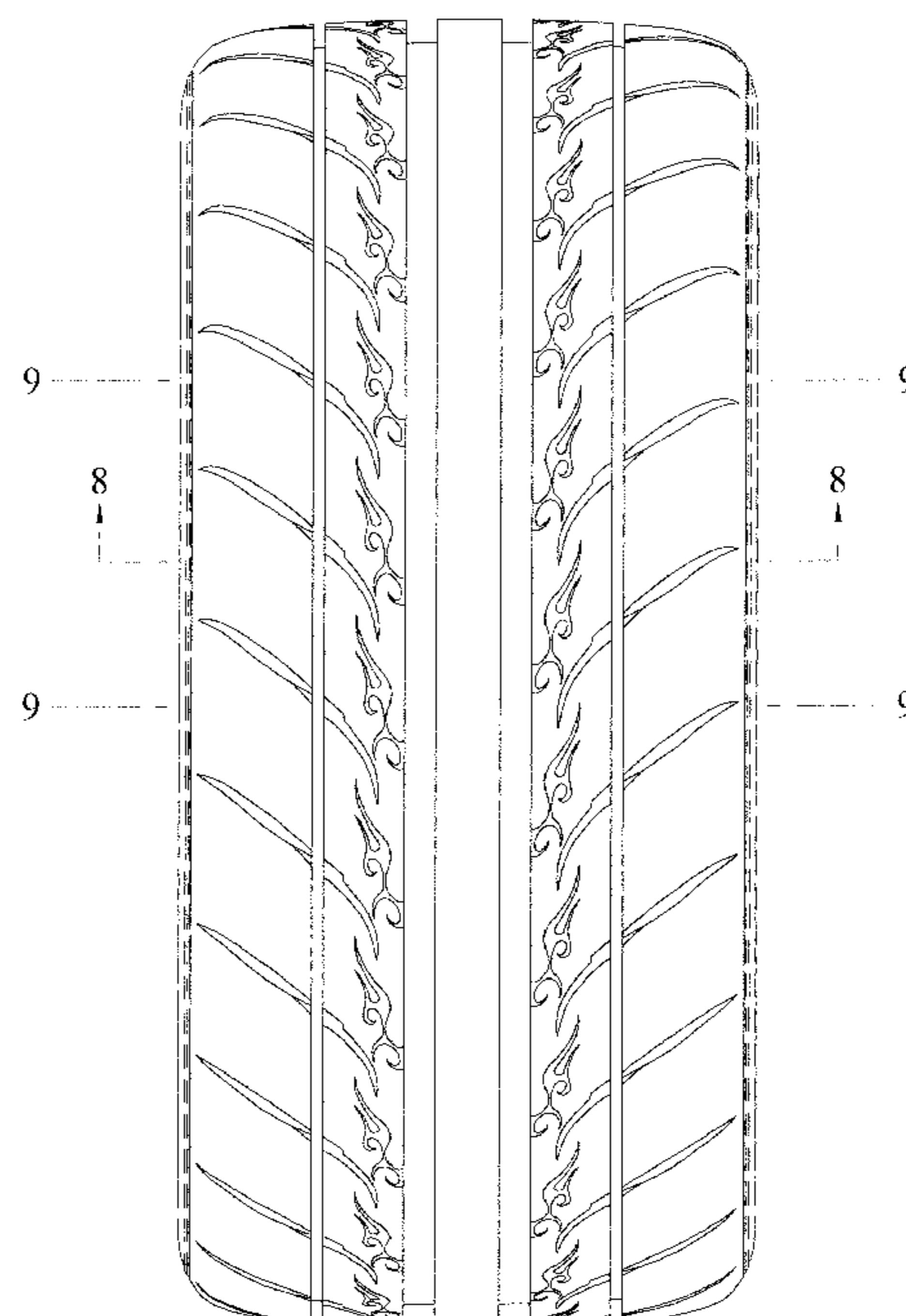
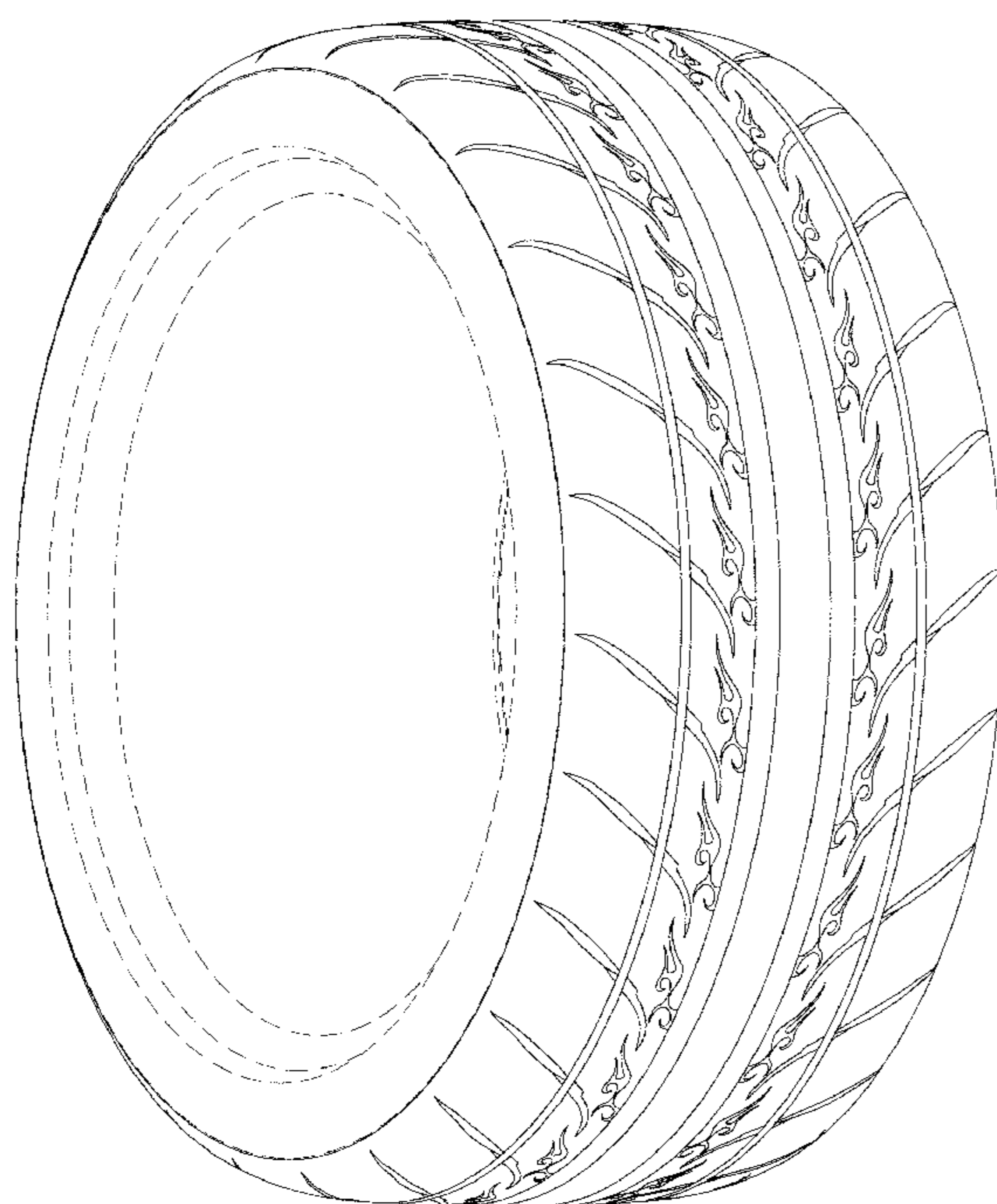


FIG. 1

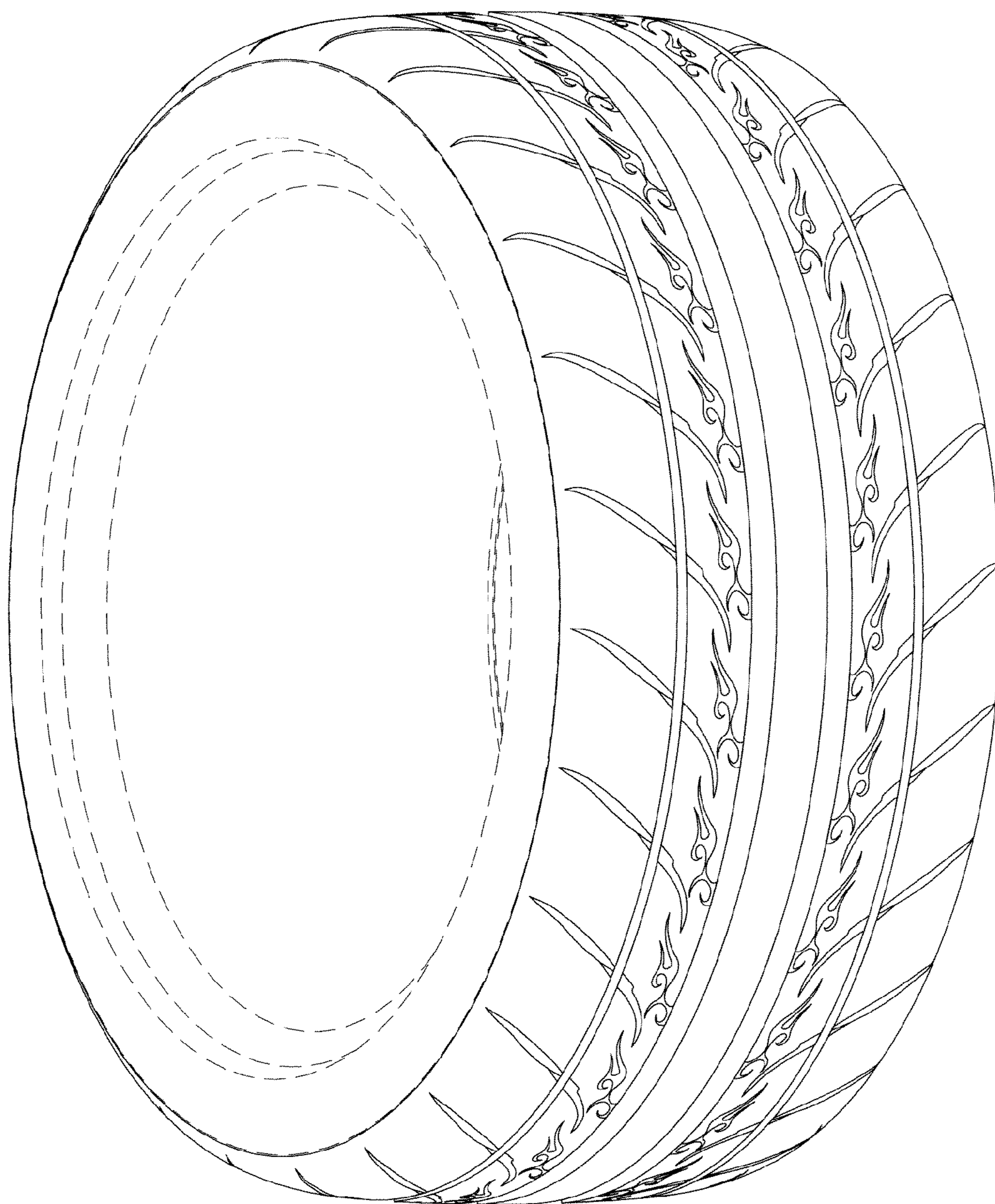


FIG. 2

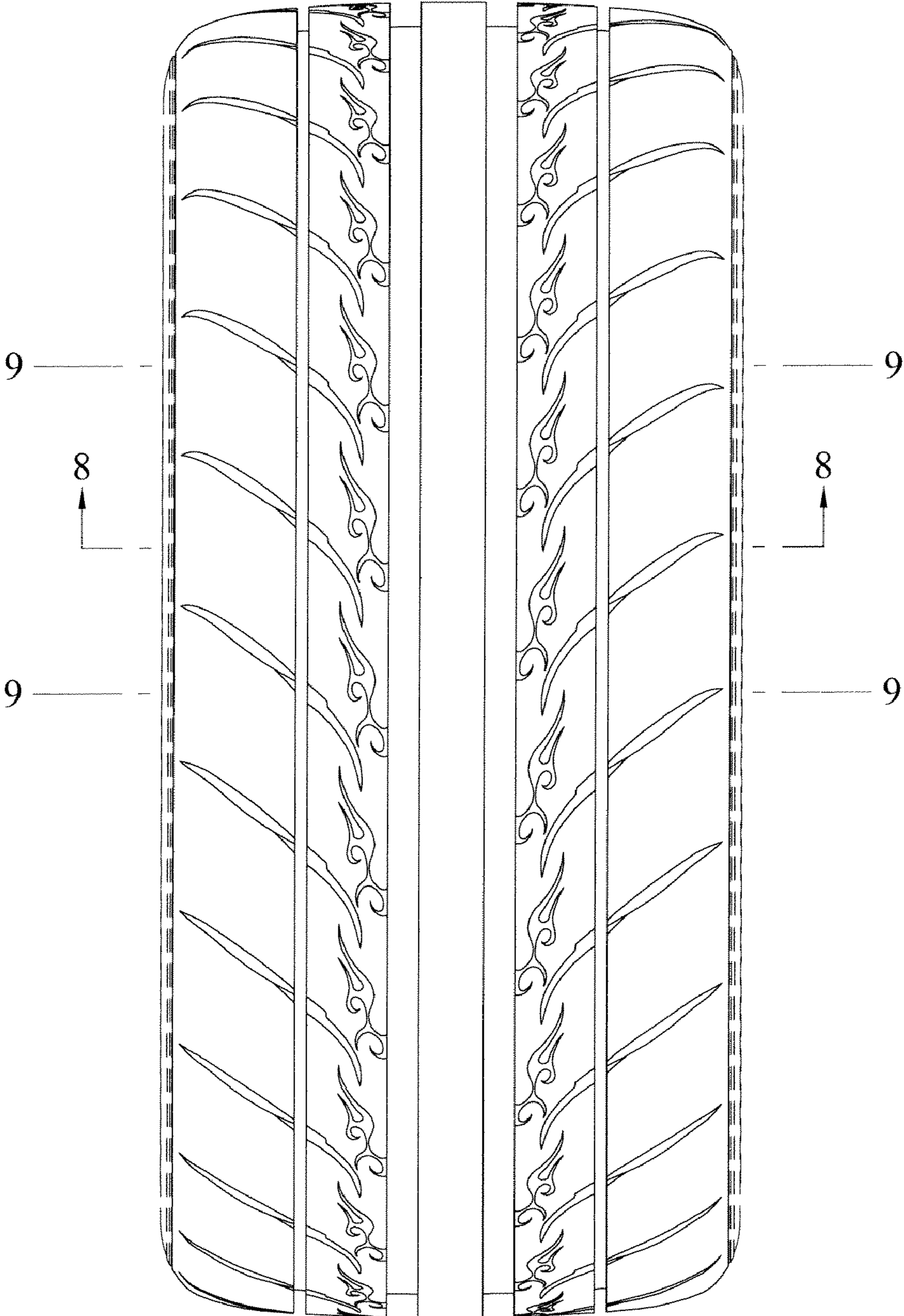


FIG. 3

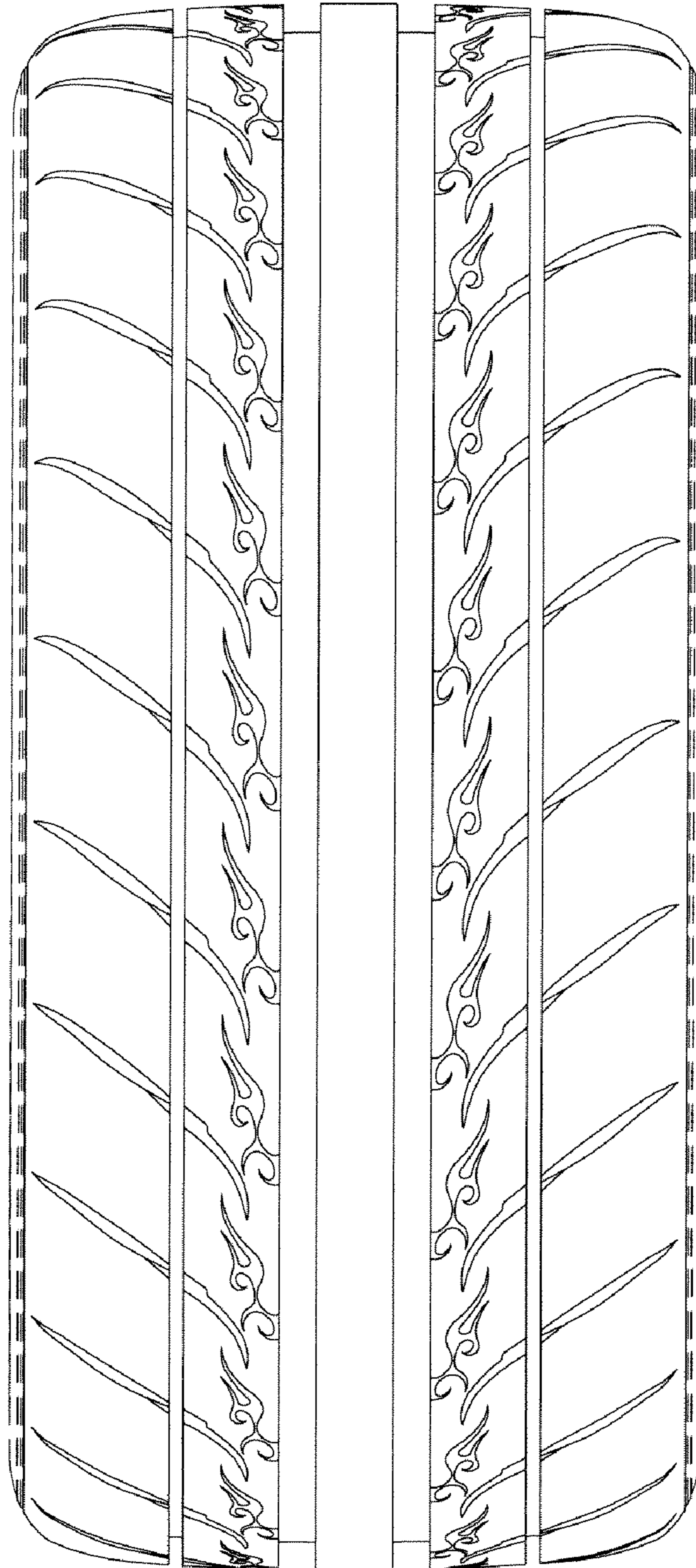


FIG. 4

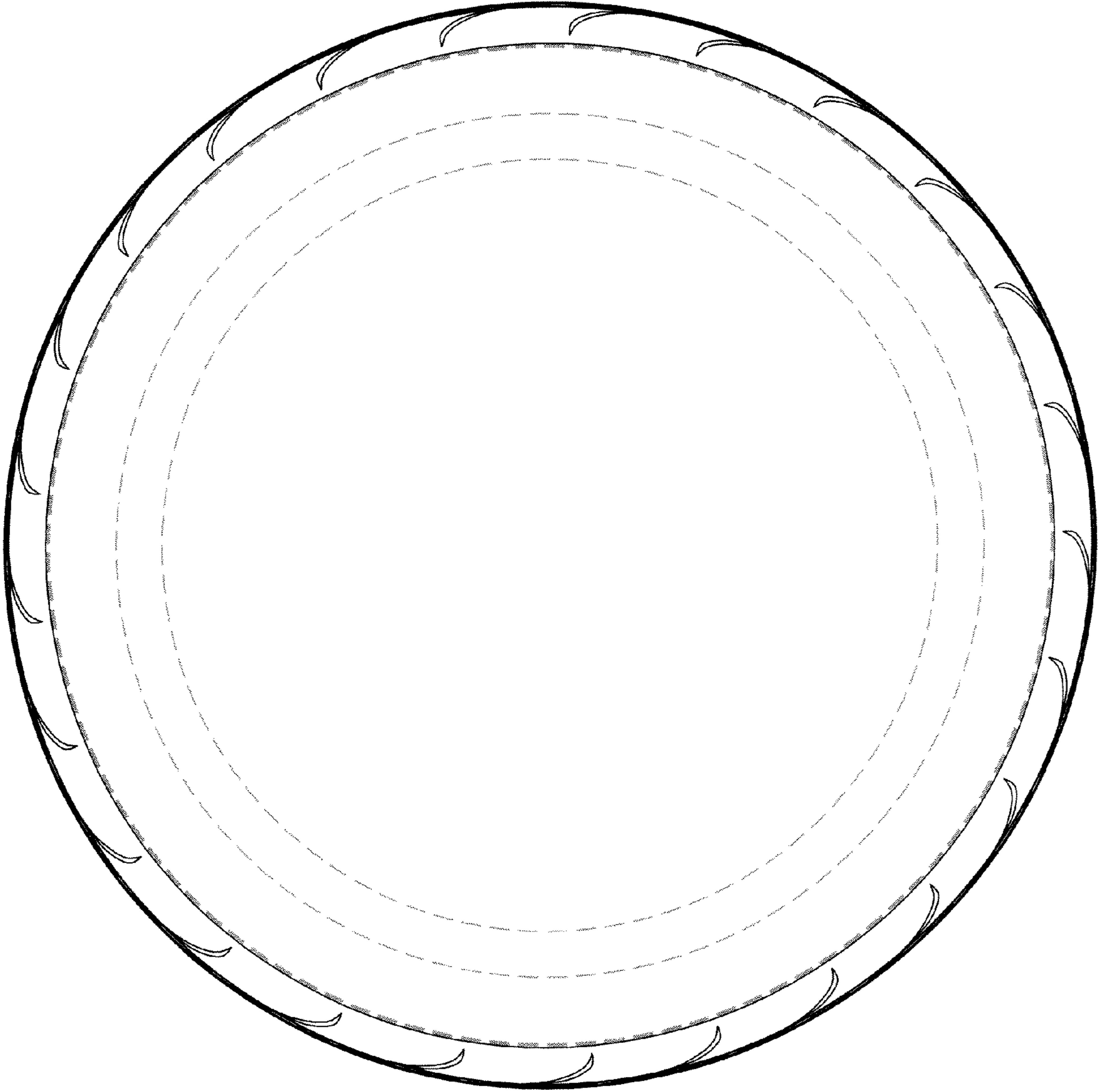


FIG. 5

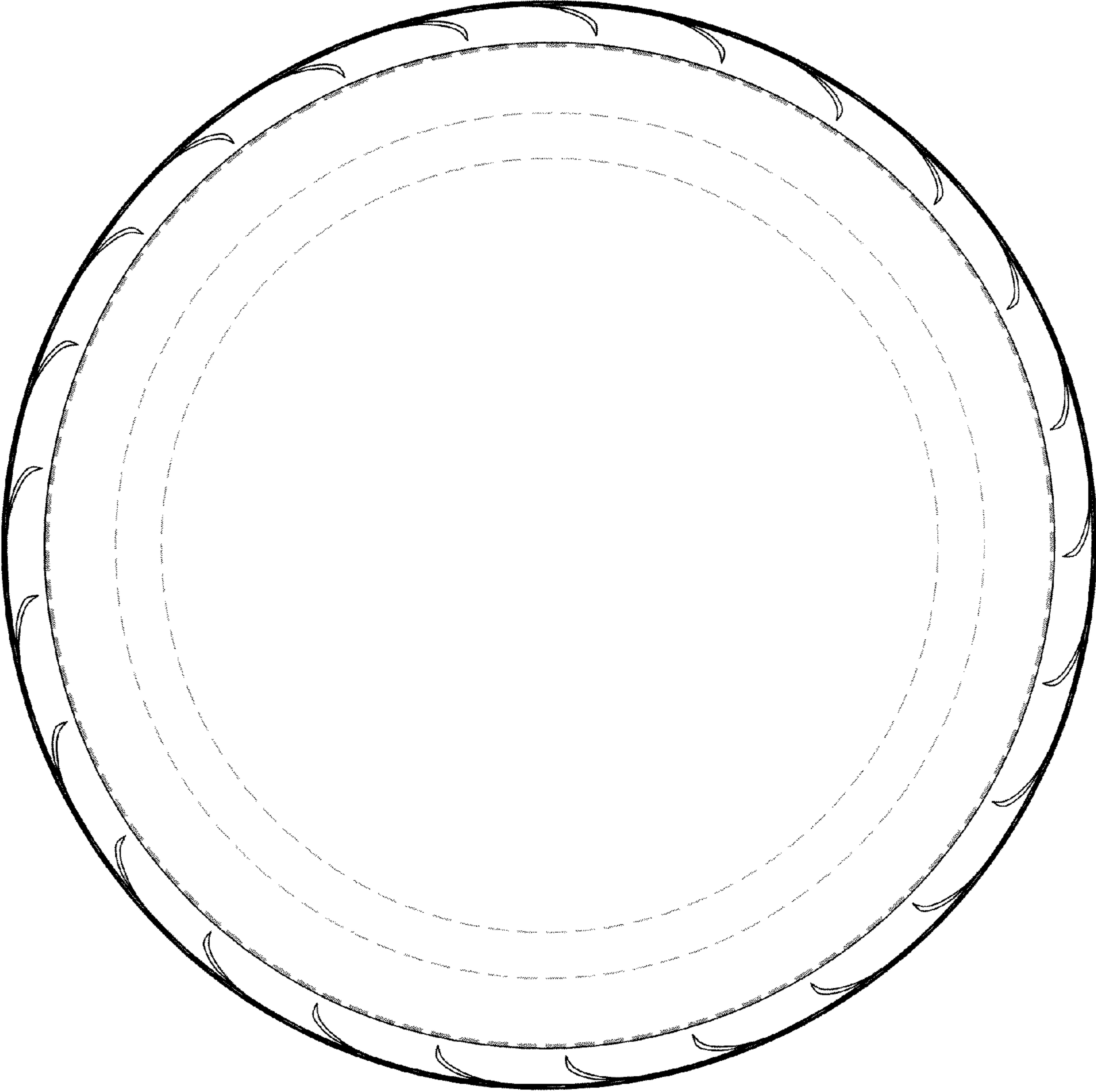


FIG. 6

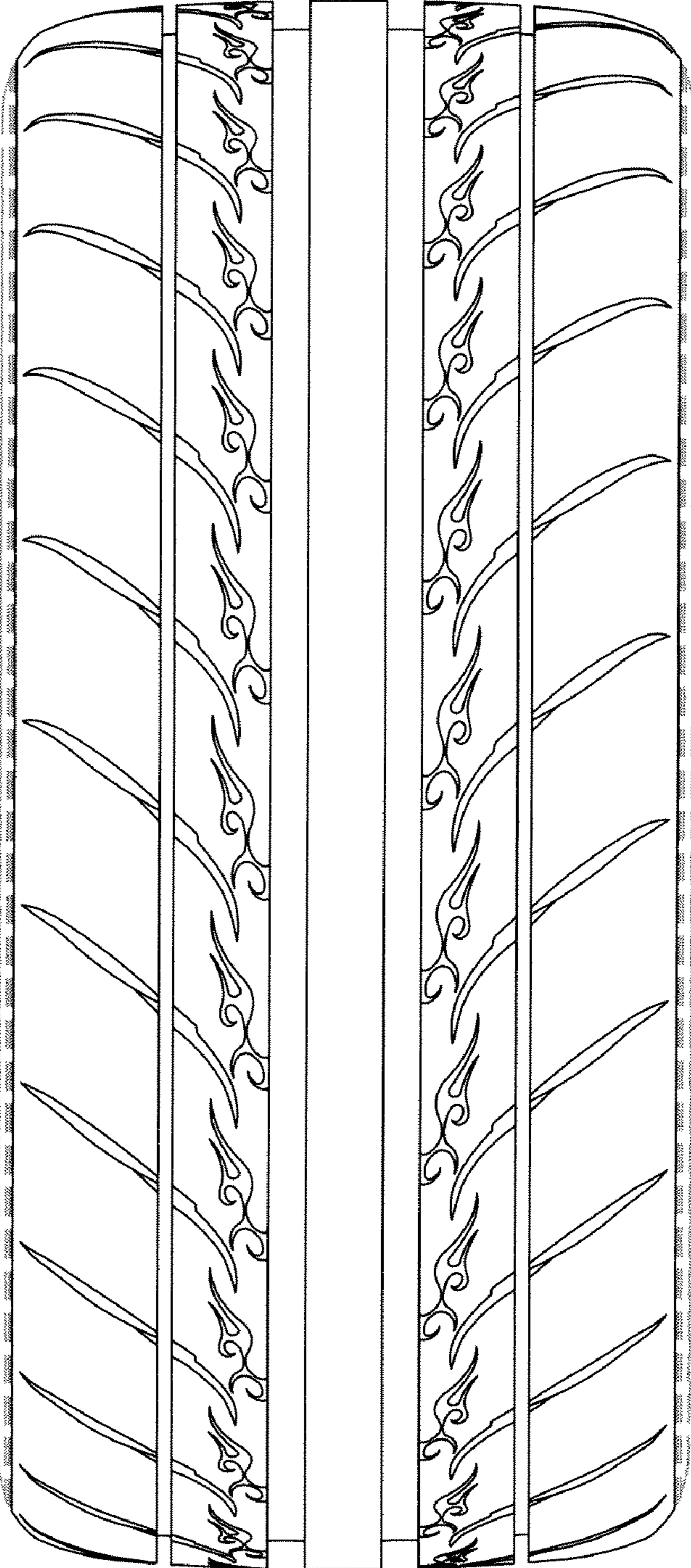


FIG. 7

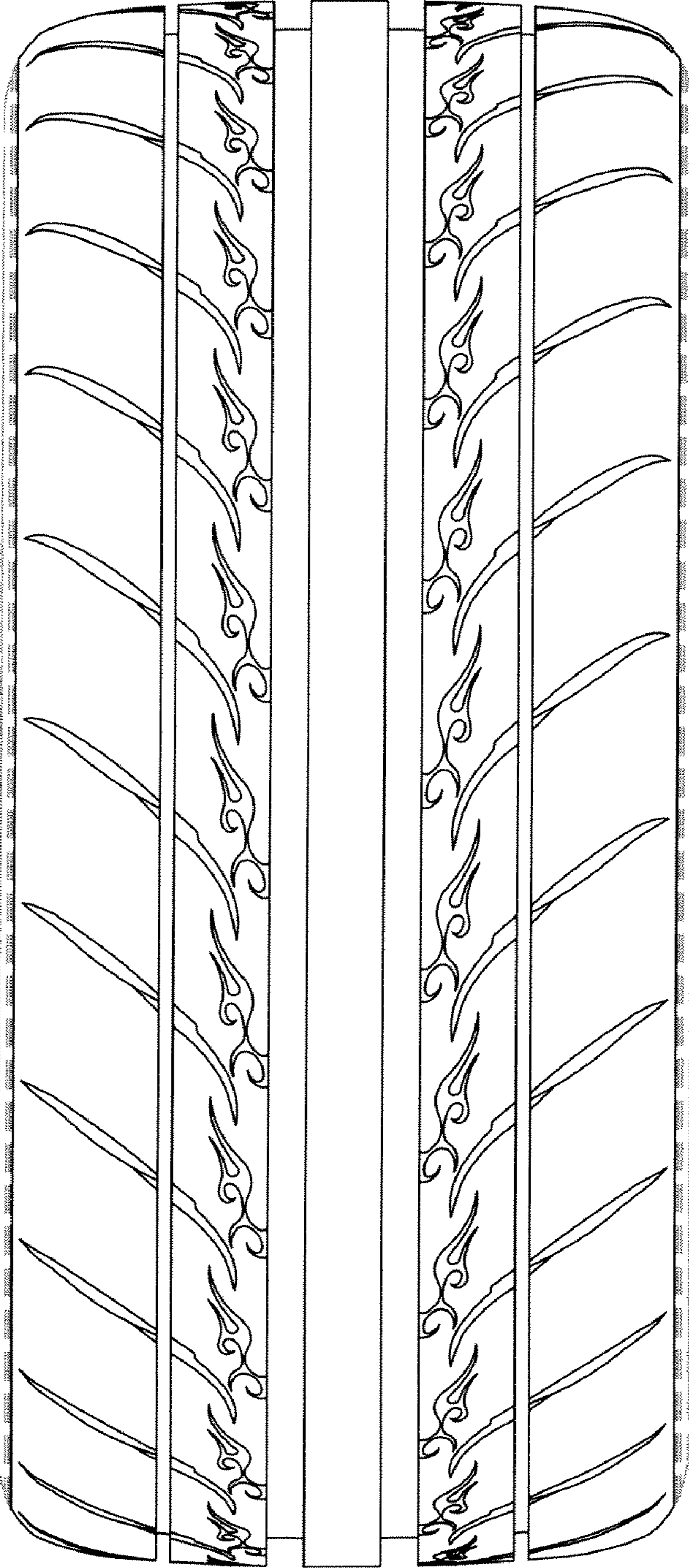


FIG. 8

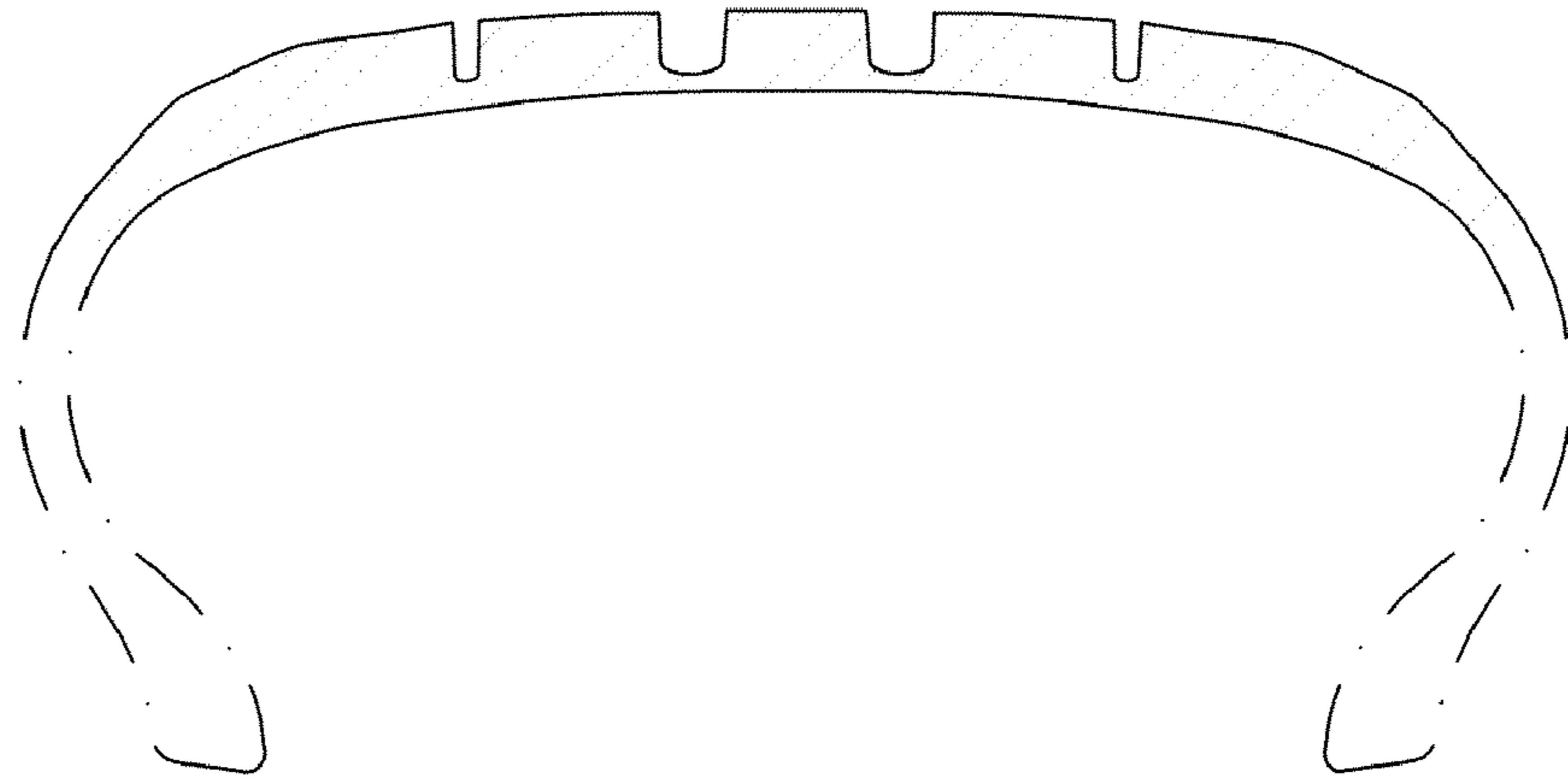


FIG. 9

