



US00D610518S

(12) **United States Design Patent**
Aglassinger

(10) **Patent No.:** **US D610,518 S**

(45) **Date of Patent:** **** Feb. 23, 2010**

(54) **CONNECTOR FOR WINDSHIELD WIPER
BLADE**

(75) Inventor: **Hans-Peter Aglassinger**, Esslingen (DE)

(73) Assignee: **Robert Bosch GmbH**, Stuttgart (DE)

(**) Term: **14 Years**

(21) Appl. No.: **29/345,610**

(22) Filed: **Oct. 20, 2009**

(30) **Foreign Application Priority Data**

Jun. 9, 2009 (EM) 001144455

(51) **LOC (9) Cl.** **12-06**

(52) **U.S. Cl.** **D12/220**

(58) **Field of Classification Search** D12/219-220;
15/246, 247, 250.001, 250.4, 250.361, 250.19,
15/250.48, 250.03, 250.31-250.33, 250.351,
15/250.38, 250.201, 250.451, 250.458, 250.04,
15/250.07, 250.44

See application file for complete search history.

(56) **References Cited**

U.S. PATENT DOCUMENTS

D556,117 S * 11/2007 Kim D12/219

D556,667 S * 12/2007 Kim D12/219
7,523,522 B2 * 4/2009 Herring et al. 15/250.32
D592,120 S * 5/2009 Grasso et al. D12/220
D597,467 S * 8/2009 Grasso et al. D12/220
2006/0010636 A1 * 1/2006 Vacher 15/250.32

* cited by examiner

Primary Examiner—Caron Veynar

Assistant Examiner—Katrina A Kile

(74) *Attorney, Agent, or Firm*—Victor A. Henzi

(57) **CLAIM**

The ornamental design for a connector for windshield wiper blade, as shown and described.

DESCRIPTION

FIG. 1 is a front left perspective view of the connector for windshield wiper blade;

FIG. 2 is a left elevational view thereof;

FIG. 3 is a right elevational view thereof;

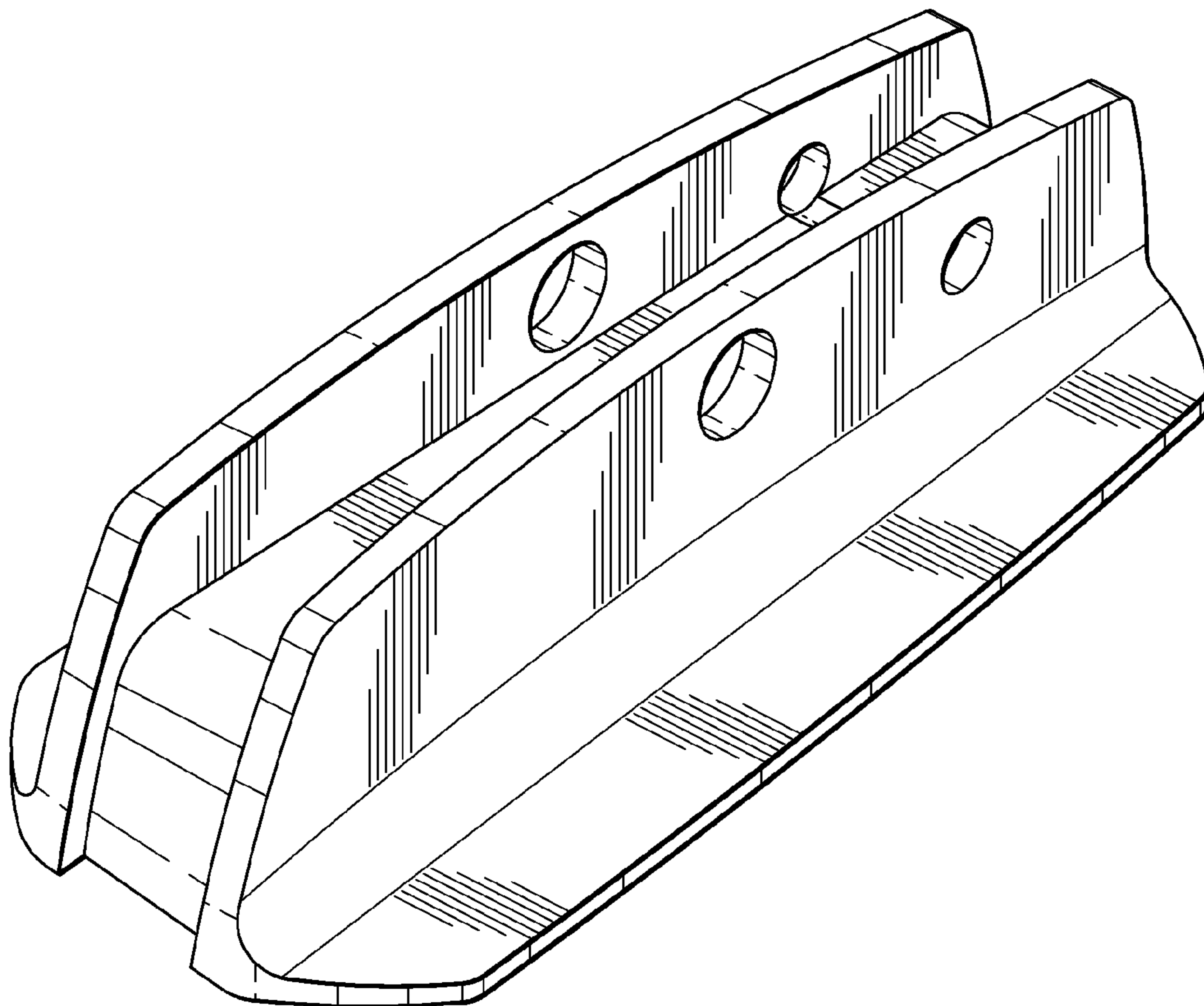
FIG. 4 is a front elevational view thereof;

FIG. 5 is a rear elevational view thereof;

FIG. 6 is a top plan view thereof; and,

FIG. 7 is a bottom plan view thereof.

1 Claim, 4 Drawing Sheets



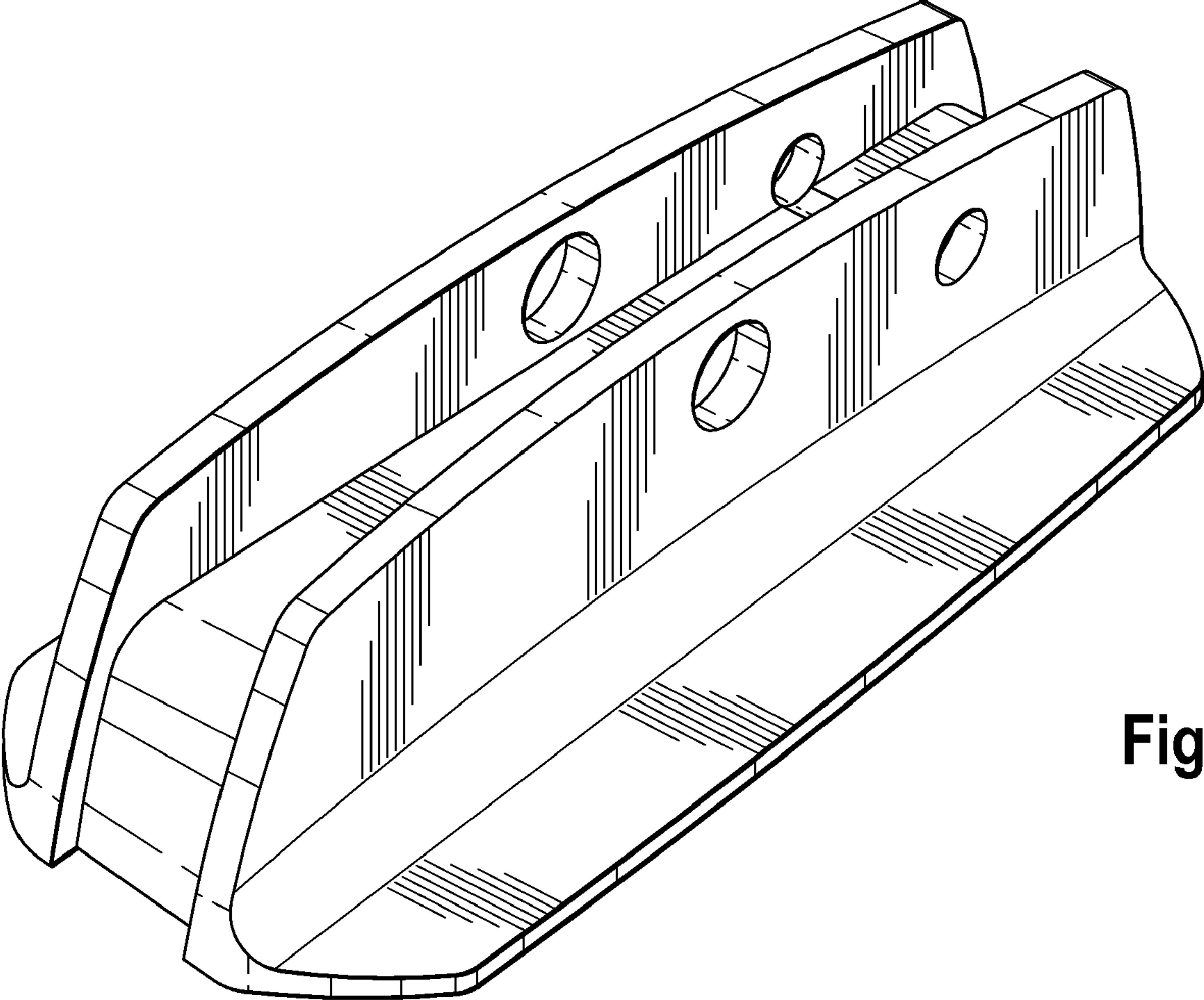


Fig. 1

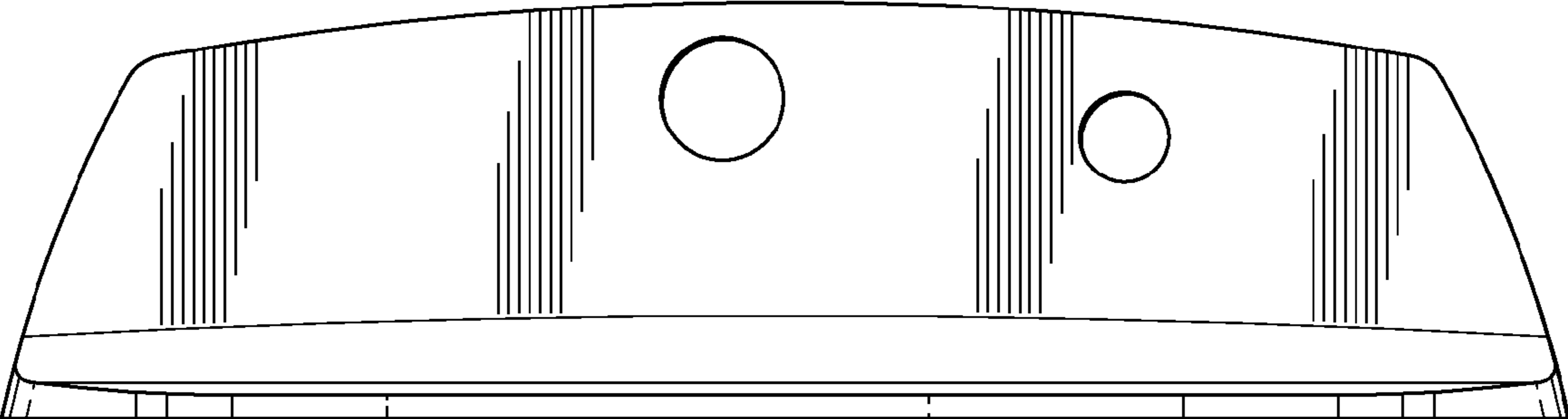


Fig. 2

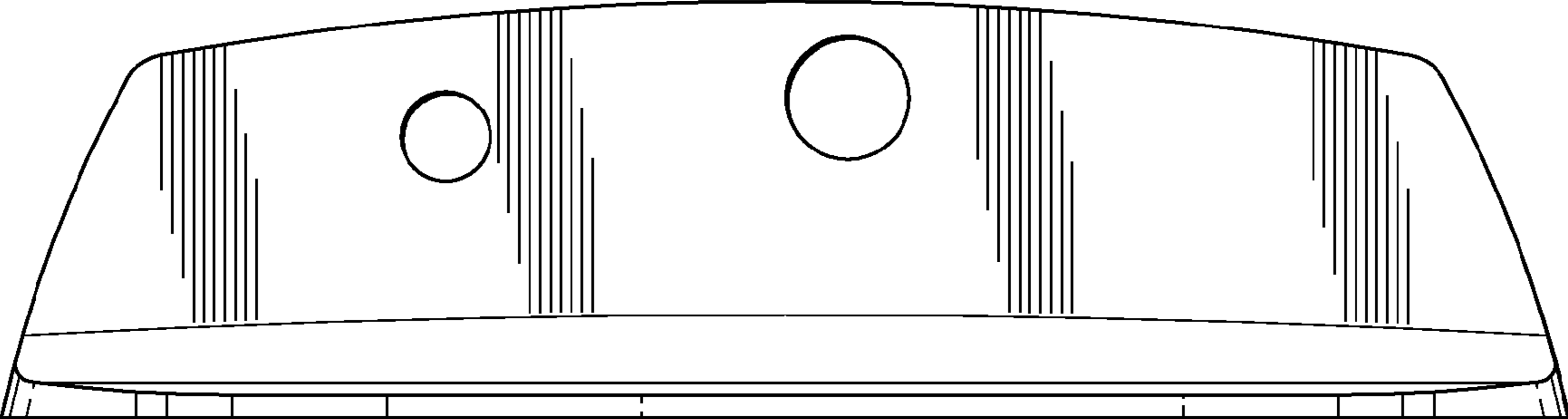


Fig. 3

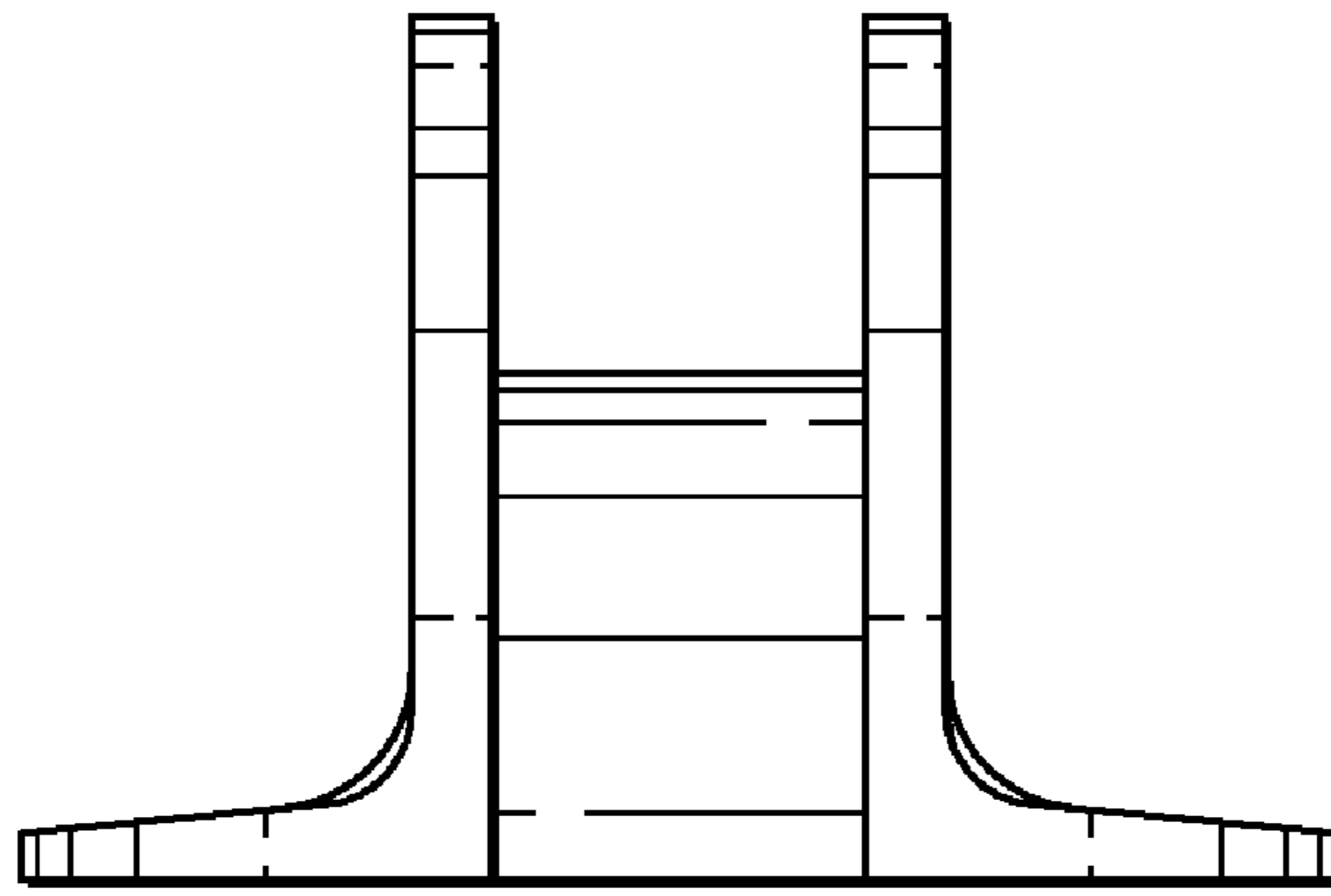


Fig. 4

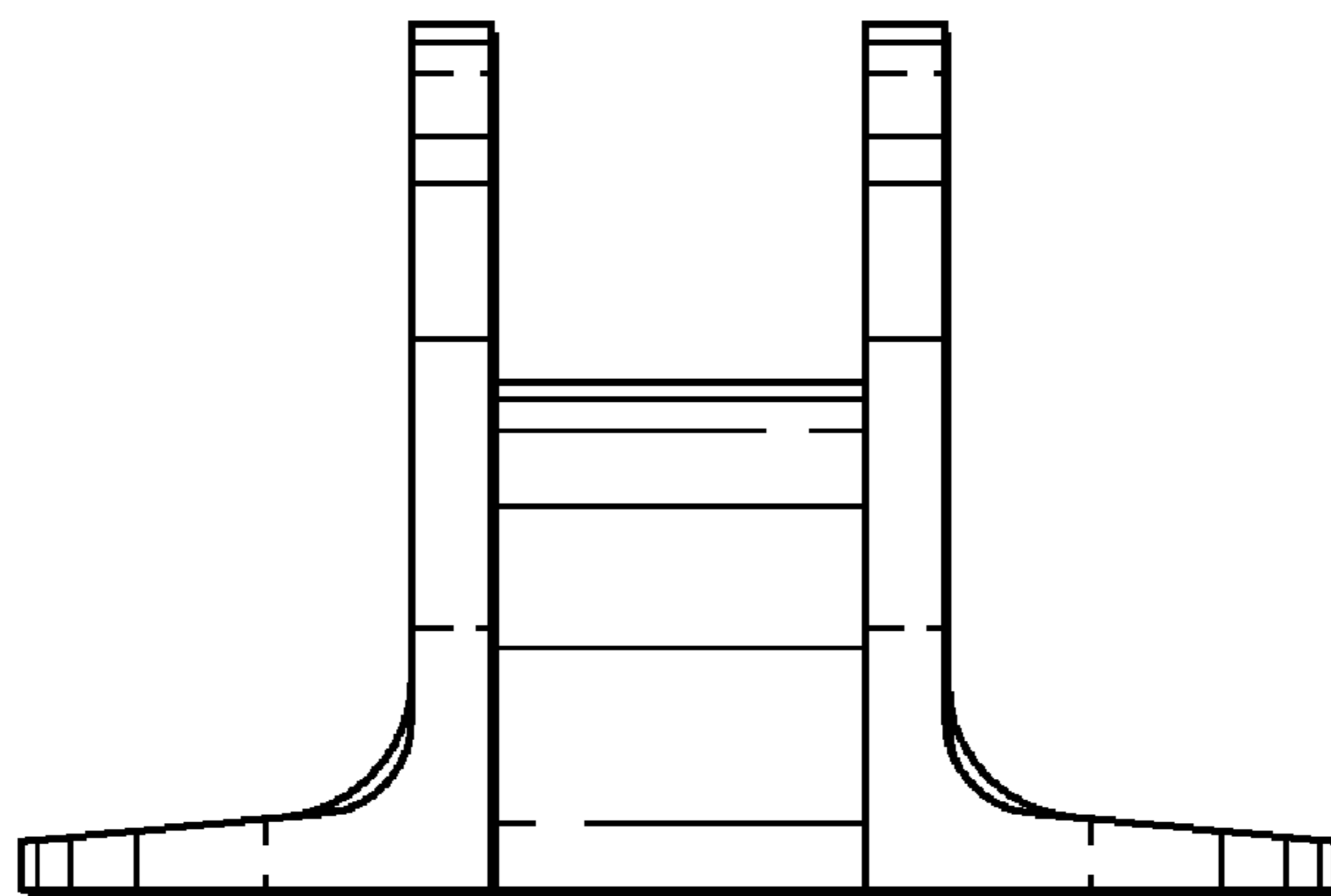


Fig. 5

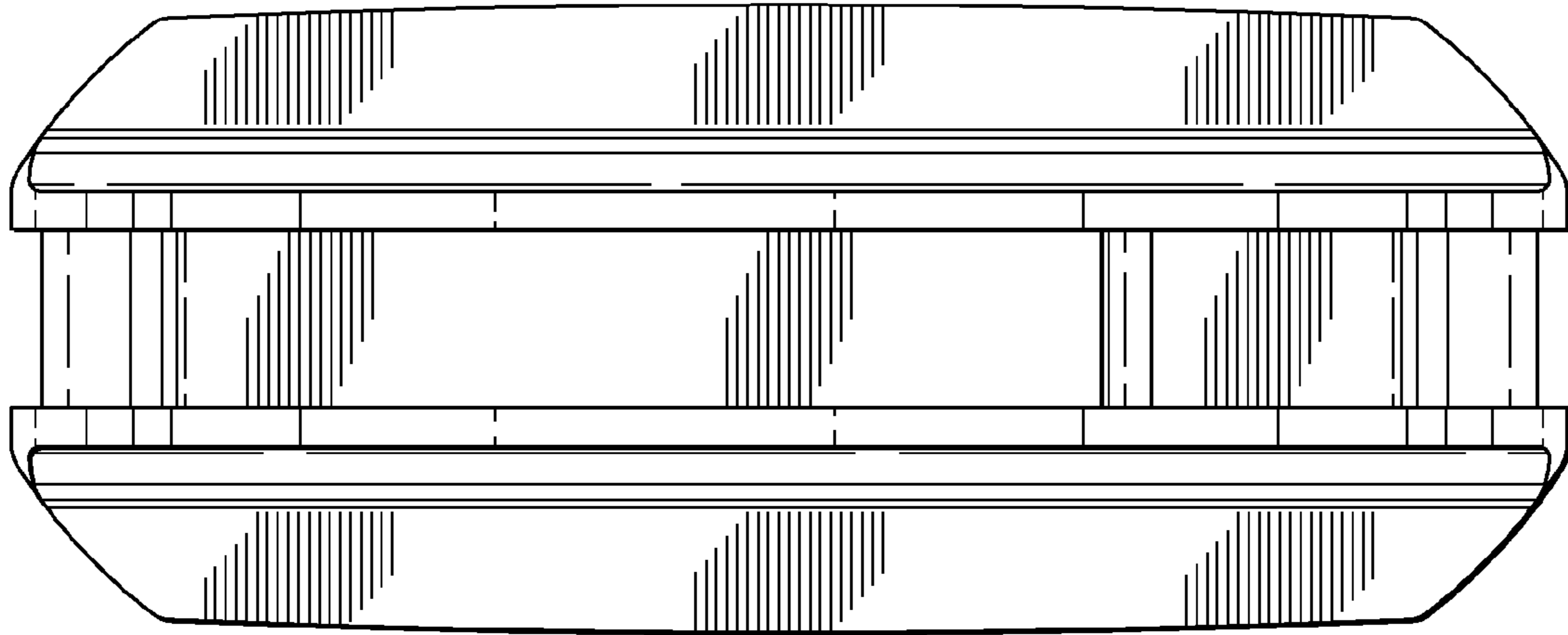


Fig. 6

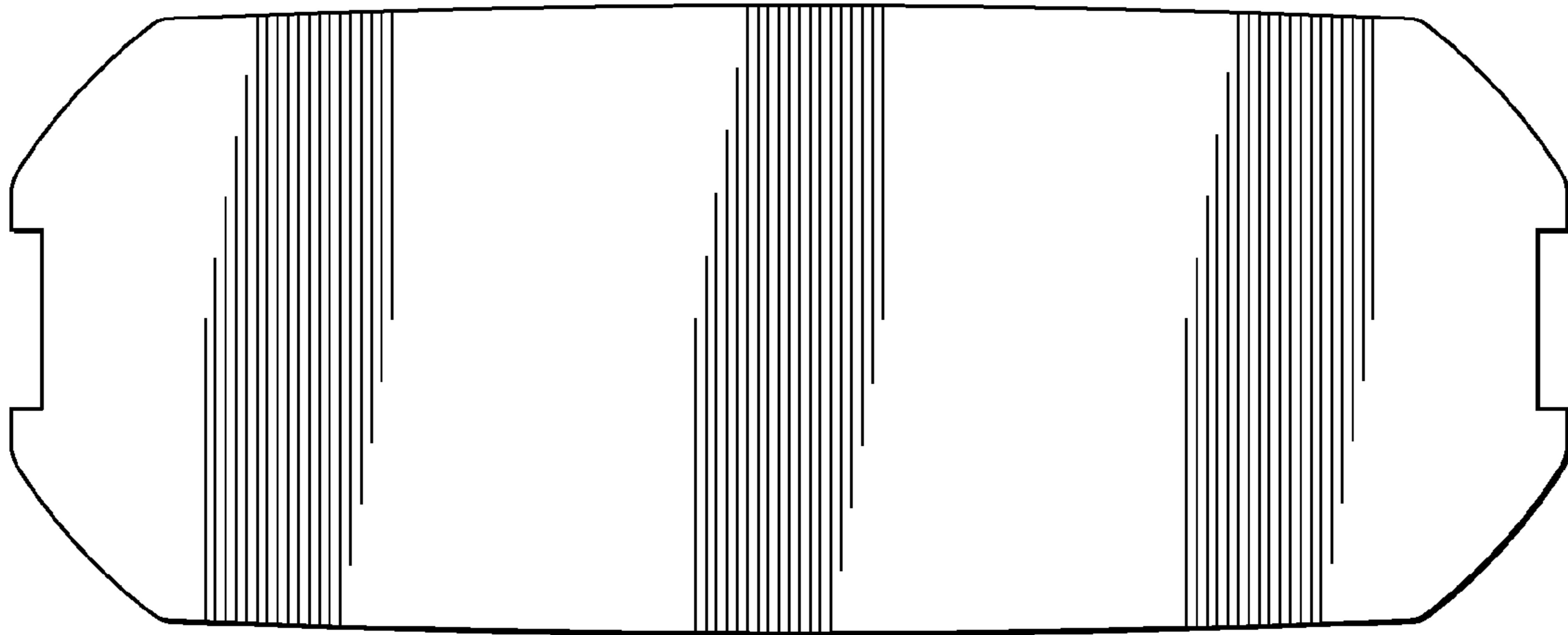


Fig. 7