



US00D610517S

(12) **United States Design Patent**
Leng et al.

(10) **Patent No.:** **US D610,517 S**

(45) **Date of Patent:** **** Feb. 23, 2010**

(54) **VEHICLE WHEEL COVER**

(75) Inventors: **Jeremy Leng**, Newport Beach, CA (US);
David Woodhouse, Aliso Viejo, CA
(US); **Freeman Thomas**, Laguna Beach,
CA (US)

(73) Assignee: **Ford Motor Company**, Dearborn, MI
(US)

(**) Term: **14 Years**

(21) Appl. No.: **29/330,555**

(22) Filed: **Jan. 9, 2009**

(51) **LOC (9) Cl.** **12-16**

(52) **U.S. Cl.** **D12/211**

(58) **Field of Classification Search** D12/204-213;
301/37.101, 64.101, 65, 64.201

See application file for complete search history.

(56) **References Cited**

U.S. PATENT DOCUMENTS

3,432,206	A	*	3/1969	Spisak	301/37.26
D303,517	S	*	9/1989	Bell et al.	D12/211
D402,951	S	*	12/1998	Wechner	D12/211
D472,865	S	*	4/2003	Wechner	D12/211
D504,379	S	*	4/2005	Kern	D12/209

D507,224	S	*	7/2005	Pfeiffer	D12/211
D526,263	S	*	8/2006	Brown	D12/209
D528,061	S	*	9/2006	Saridakis et al.	D12/211
D544,427	S	*	6/2007	Pfeiffer	D12/211
D558,117	S	*	12/2007	Baum	D12/211
D569,777	S	*	5/2008	Chung	D12/211
D588,515	S	*	3/2009	Lamm et al.	D12/211

* cited by examiner

Primary Examiner—Cathron C Brooks

Assistant Examiner—Austin Murphy

(74) *Attorney, Agent, or Firm*—Frank A. MacKenzie; Brooks
Kushman P.C.

(57) **CLAIM**

The ornamental design for a vehicle wheel cover, as shown
and described.

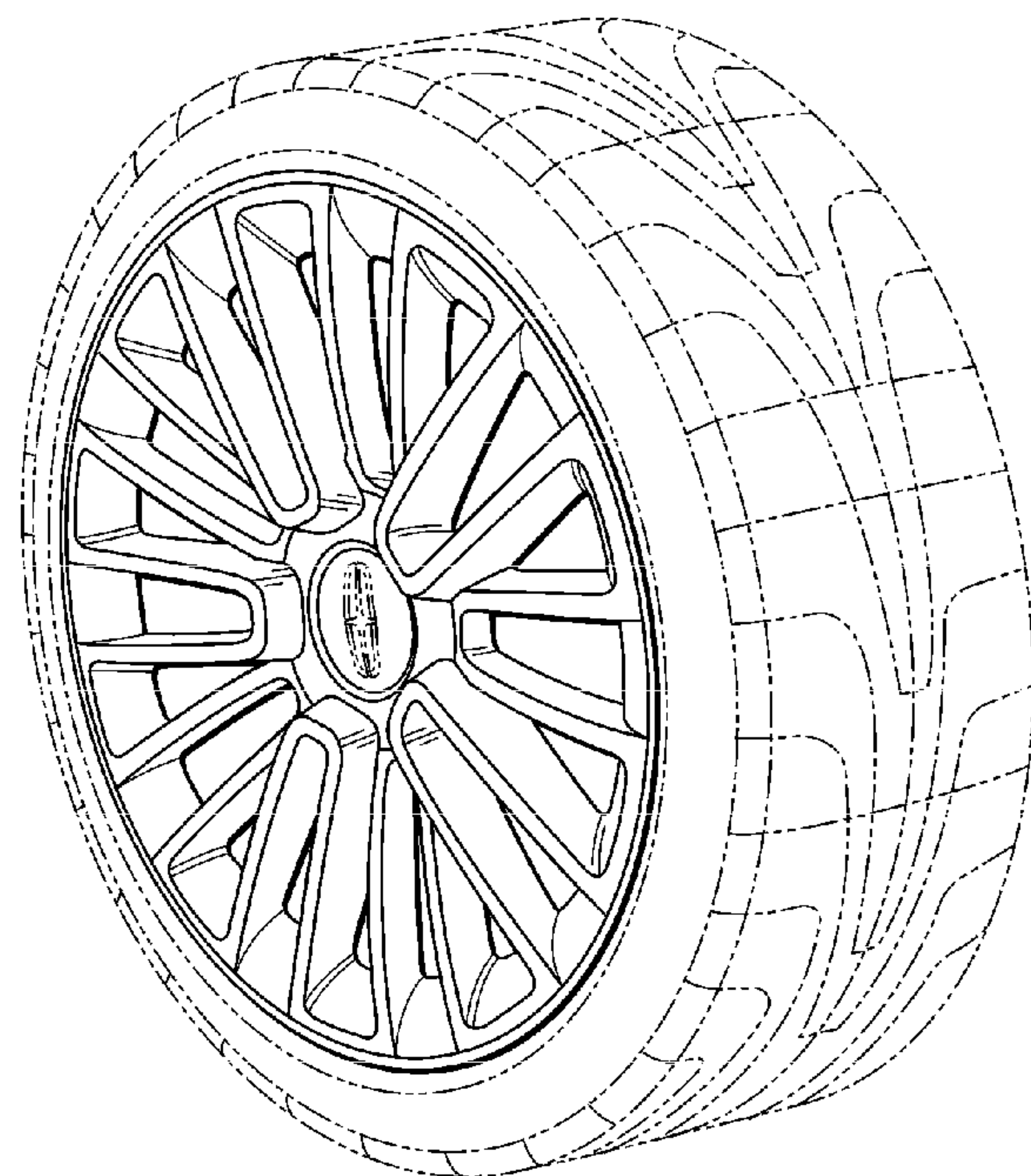
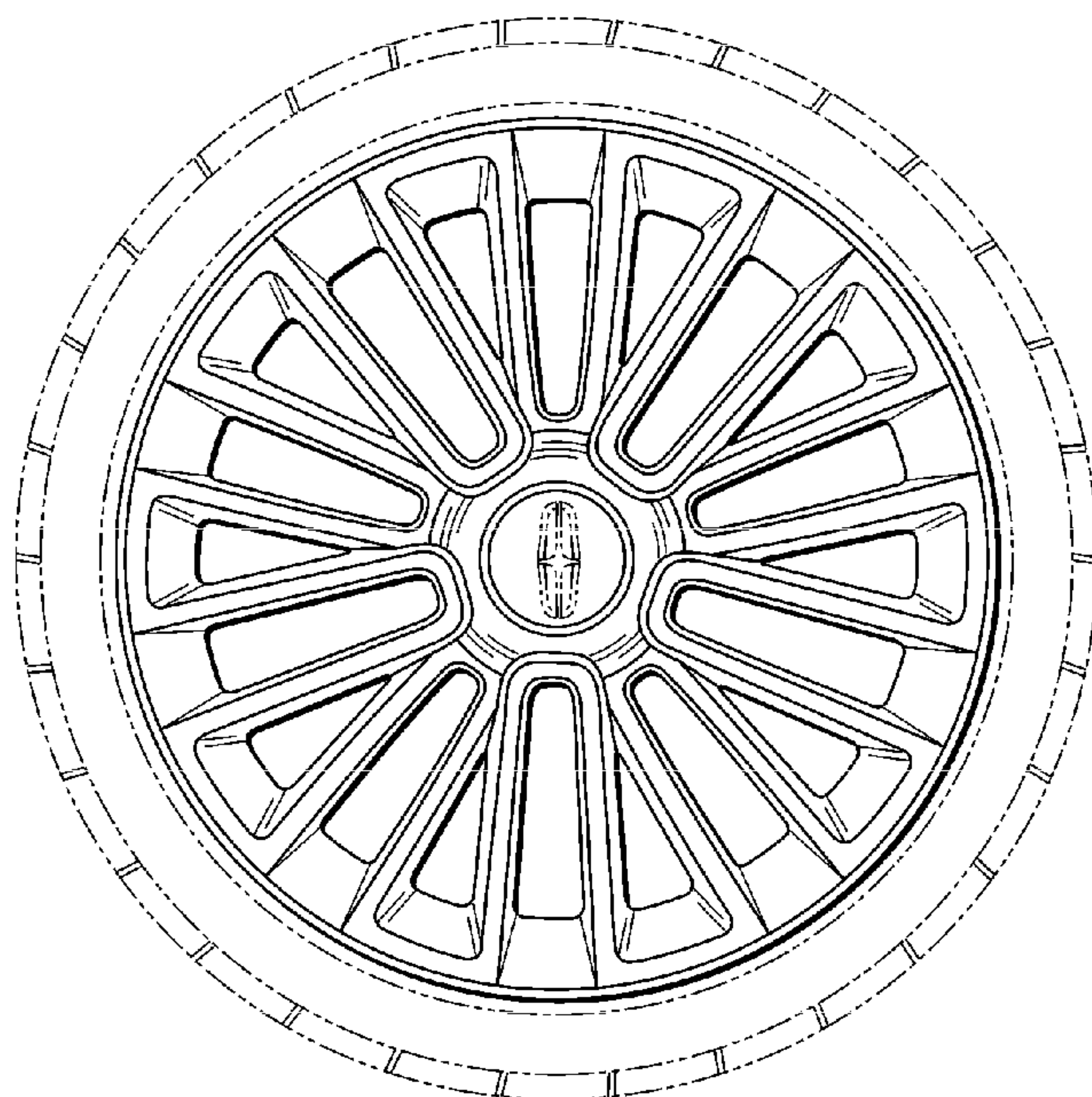
DESCRIPTION

FIG. 1 is a front perspective view of a vehicle wheel cover in
accordance with an embodiment of the present invention;
and,

FIG. 2 is a front/side perspective view of the vehicle wheel
cover of FIG. 1.

The broken lines are for illustrative purposes only and form
no part of the claimed design.

1 Claim, 1 Drawing Sheet



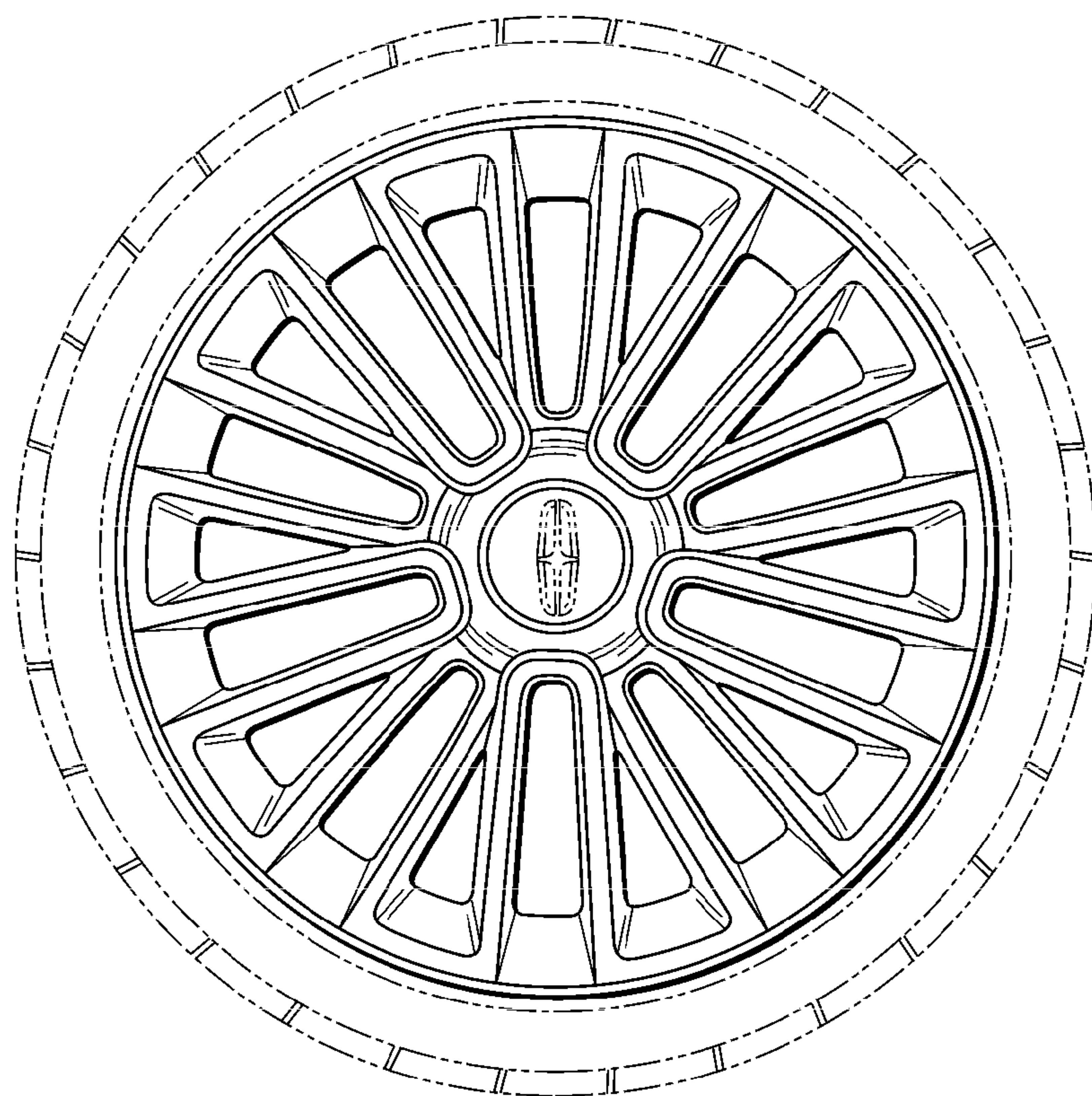


Fig. 1

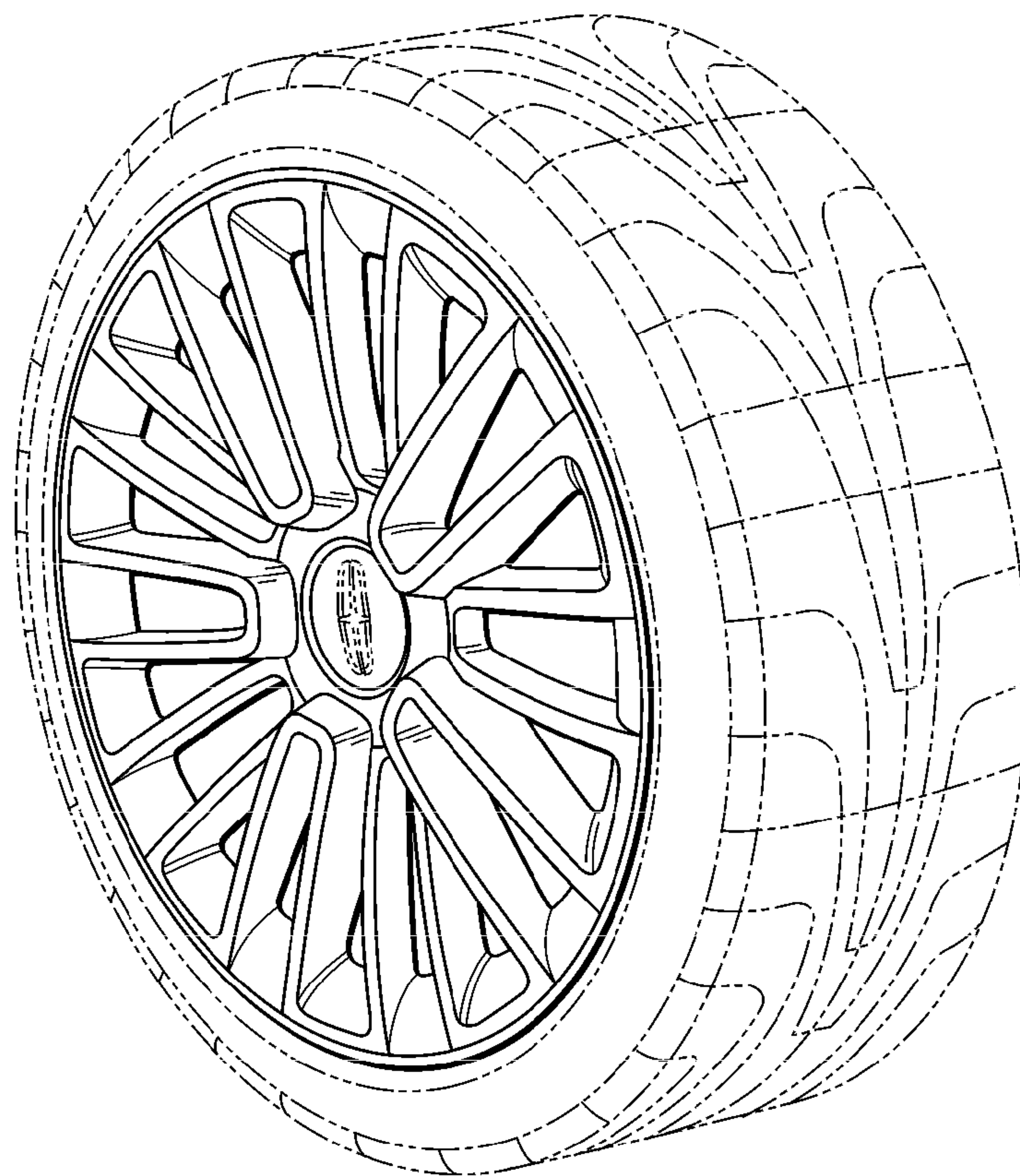


Fig. 2