



US00D610515S

(12) **United States Design Patent**  
**Platto et al.**

(10) **Patent No.:** **US D610,515 S**  
(45) **Date of Patent:** **\*\* Feb. 23, 2010**

(54) **VEHICLE WHEEL COVER**

(75) Inventors: **Gordon Platto**, Troy, MI (US); **Xitij Mistry**, Ann Arbor, MI (US); **Aram Kasparian**, Canton, MI (US); **Patrick Schiavone**, Bloomfield Village, MI (US)

(73) Assignee: **Ford Motor Company**, Dearborn, MI (US)

(\*\*) Term: **14 Years**

(21) Appl. No.: **29/302,110**

(22) Filed: **Jan. 10, 2008**

(51) **LOC (9) Cl.** ..... **12-16**

(52) **U.S. Cl.** ..... **D12/211**

(58) **Field of Classification Search** ..... D12/204-213,  
D12/501; 301/37.101, 64.101, 65, 64.201  
See application file for complete search history.

(56) **References Cited**

**U.S. PATENT DOCUMENTS**

D493,404 S *	7/2004	Baum	.....	D12/211
D493,407 S *	7/2004	Yu	.....	D12/211
D516,989 S *	3/2006	Baum	.....	D12/211
D516,990 S *	3/2006	Schweizer	.....	D12/211
D533,119 S	12/2006	Schiavone et al.		
D548,166 S *	8/2007	Young	.....	D12/211
D551,149 S *	9/2007	Elmitt	.....	D12/211
D559,747 S	1/2008	Platto et al.		
D562,193 S	2/2008	Platto et al.		
D576,095 S *	9/2008	Chung	.....	D12/211
D578,948 S *	10/2008	Asada et al.	.....	D12/211
D584,210 S *	1/2009	Baum	.....	D12/211

D585,009 S *	1/2009	Rak	.....	D12/211
D591,663 S *	5/2009	Chung	.....	D12/211
D595,202 S *	6/2009	Spoerle	.....	D12/211

**OTHER PUBLICATIONS**

Pund, Daniel, "The Bold and the Brutiful: Ford designs another rear-drive sport sedan concept," Edmunds.com website article, located at <http://www.edmunds.com/insideline/do/Features/articleId=118988>; 4 pages; Dec. 30, 2006.

Thomas, David, "2007 Detroit Auto Show: Lincoln MKR Concept", Cars.com website article, located at [http://blogs.cars.com/kickingtires/2006/12/2007\\_detroit\\_au.html](http://blogs.cars.com/kickingtires/2006/12/2007_detroit_au.html); 5 pages; Dec. 31, 2006.

\* cited by examiner

*Primary Examiner*—Stacia Cadmus

(74) *Attorney, Agent, or Firm*—Frank A. MacKenzie; Brooks Kushman P.C.

(57) **CLAIM**

The ornamental design for a vehicle wheel cover, as shown and described.

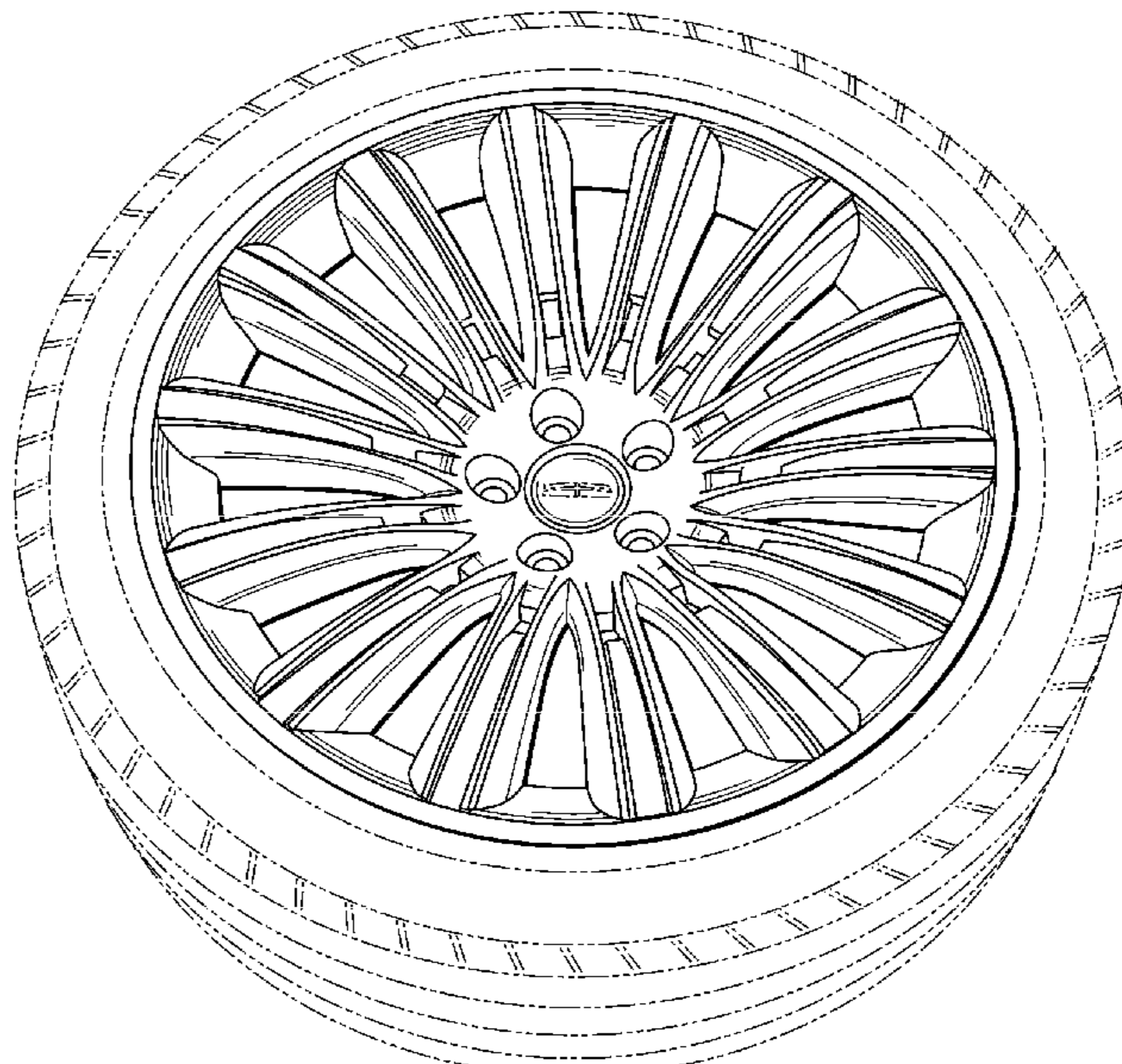
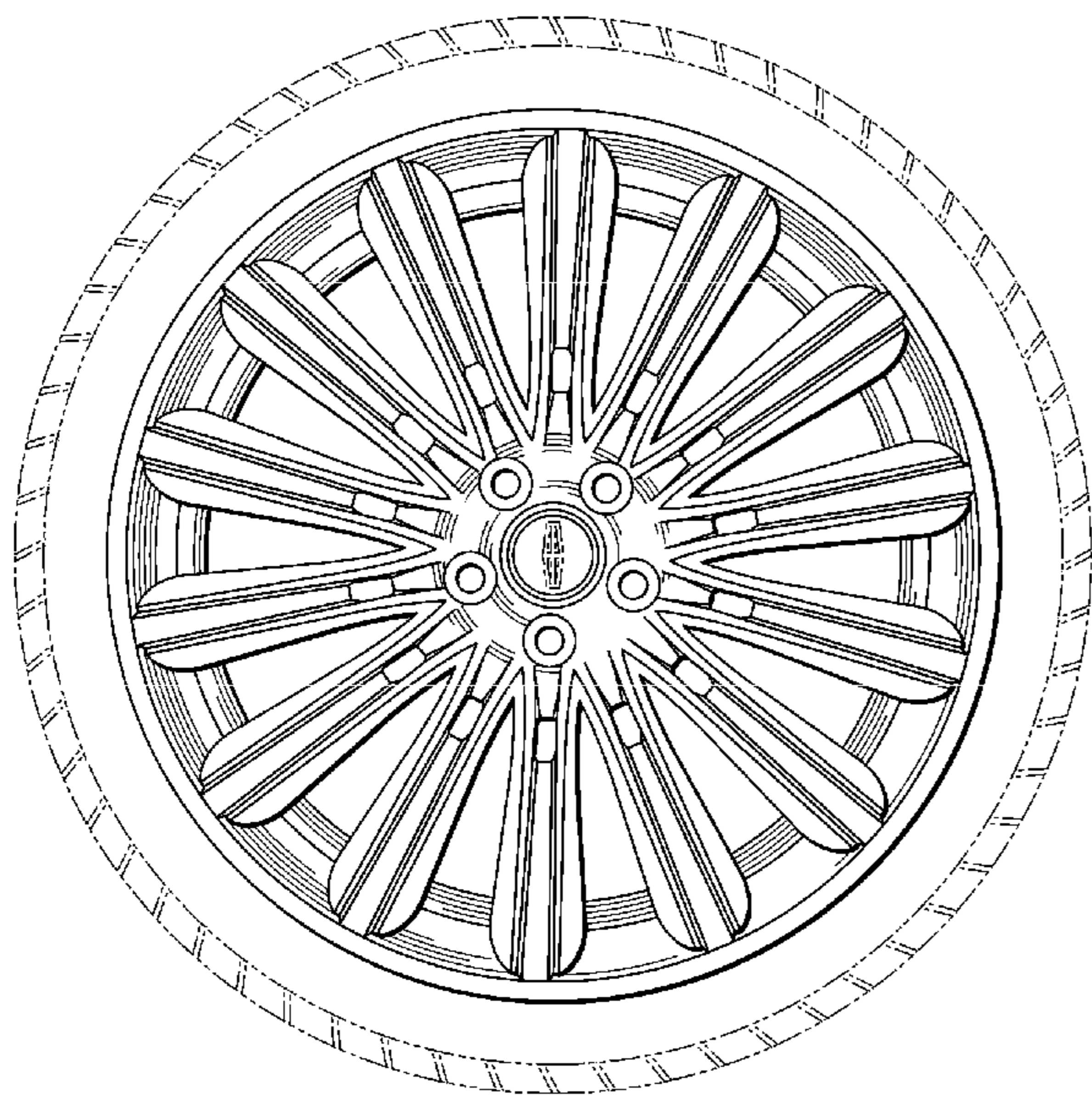
**DESCRIPTION**

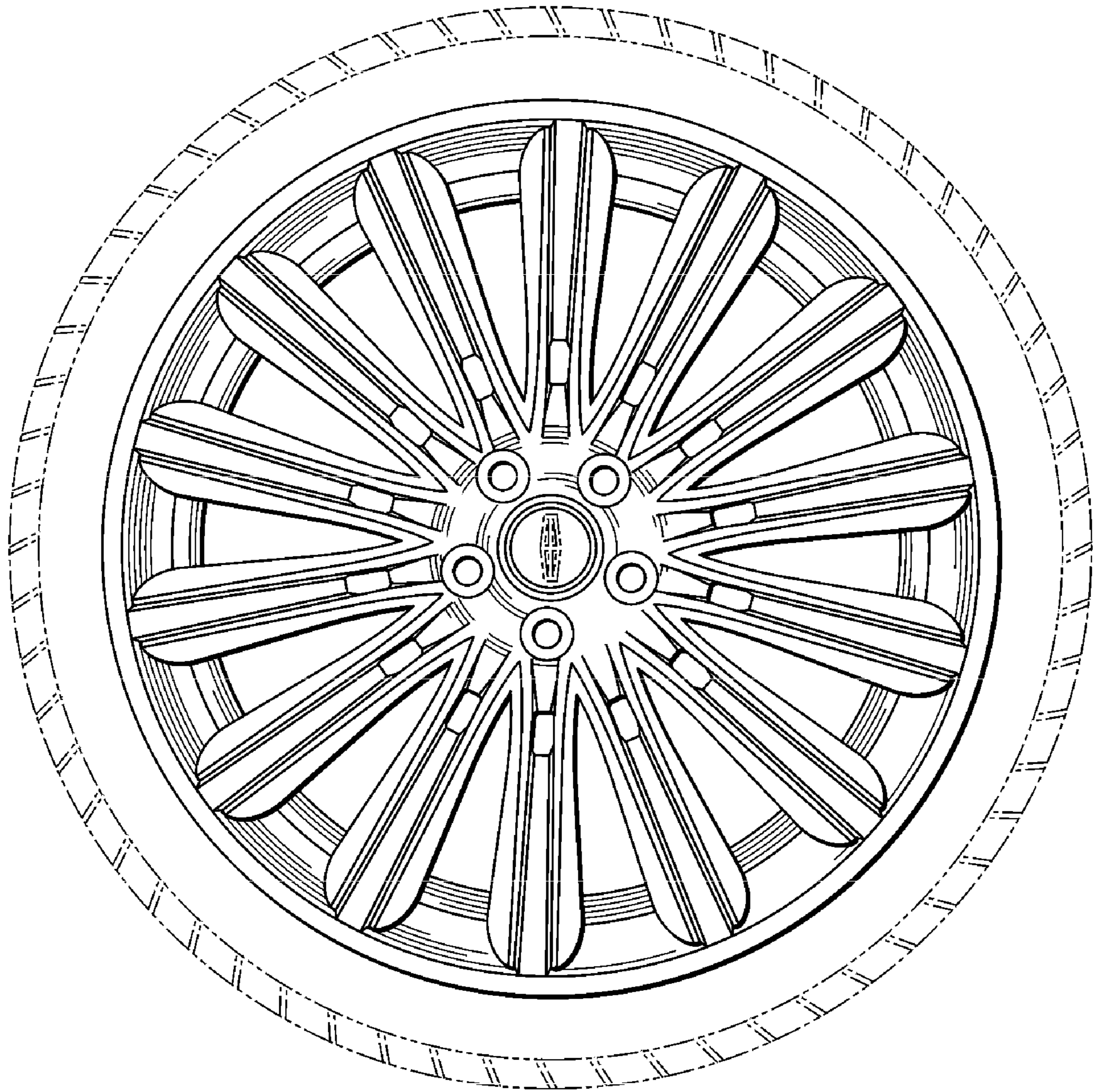
FIG. 1 is a front perspective view of a vehicle wheel cover in accordance with an embodiment of the present invention; and,

FIG. 2 is a front/side perspective view of the vehicle wheel cover of FIG. 1.

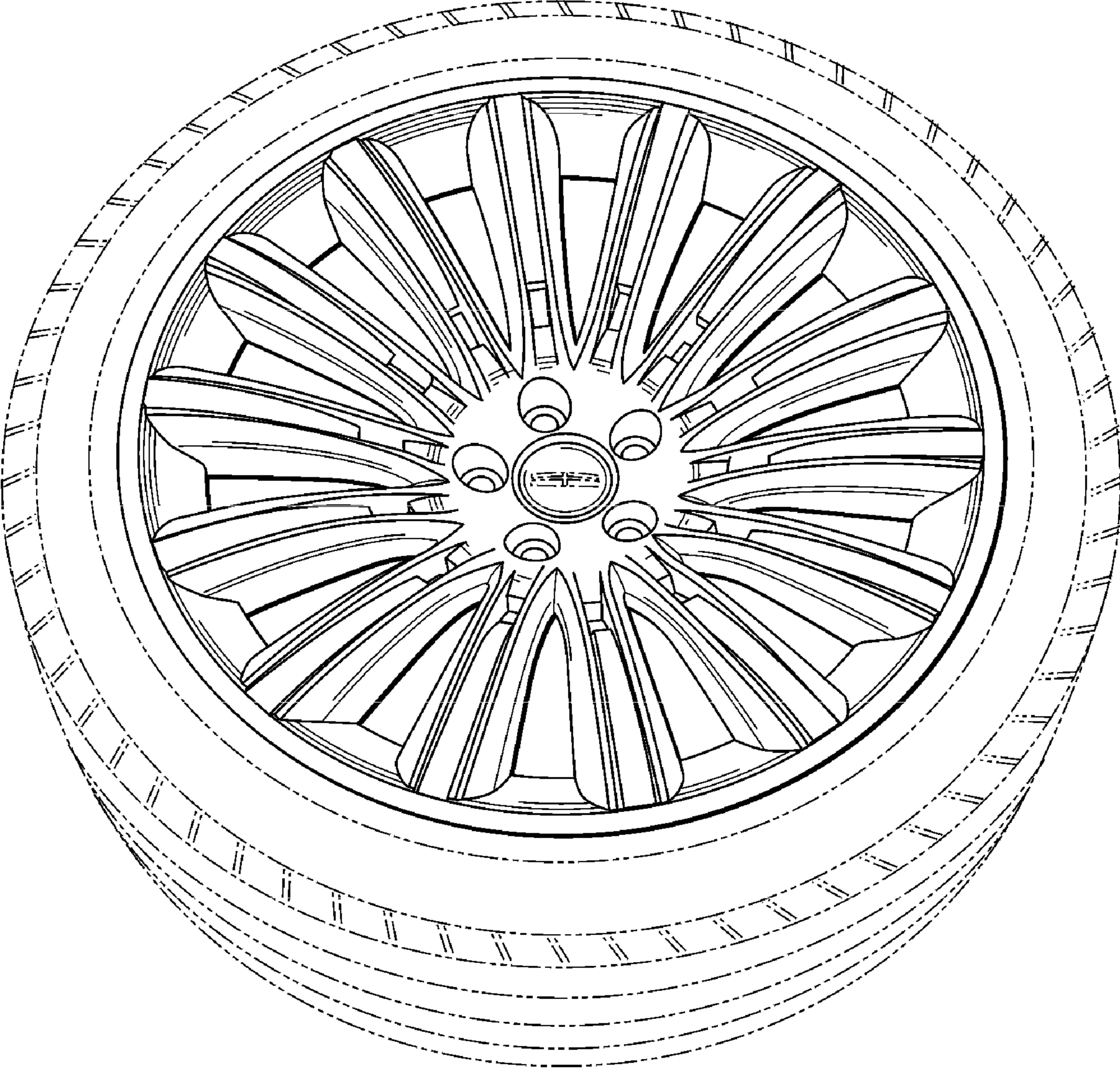
The surface ornamentation, logos, written matter and tire are for illustrative purposes only and form no part of the claimed design.

**1 Claim, 2 Drawing Sheets**





*Fig. 1*



*Fig. 2*