



US00D610514S

(12) **United States Design Patent**
Eck

(10) **Patent No.:** **US D610,514 S**

(45) **Date of Patent:** **** Feb. 23, 2010**

(54) **ALL TERRAIN VEHICLE**

(75) Inventor: **Richard E. Eck**, Minneapolis, MN (US)

(73) Assignee: **Polaris Industries Inc.**, Medina, MN (US)

(**) Term: **14 Years**

(21) Appl. No.: **29/307,617**

(22) Filed: **Apr. 30, 2008**

(51) **LOC (9) Cl.** **12-16**

(52) **U.S. Cl.** **D12/196; D12/14**

(58) **Field of Classification Search** D12/196,
D12/190, 400, 86, 90, 91, 92, 173, 98, 93,
D12/87, 1, 16, 7, 14; D21/548; 116/22 A,
116/137 R; 296/181.5, 57.1, 3, 26, 50, 37.1,
296/37.6; 180/312

See application file for complete search history.

(56) **References Cited**

U.S. PATENT DOCUMENTS

D119,377 S *	3/1940	Cadwallader	D12/196
D312,441 S *	11/1990	Guelfi et al.	D12/196
D354,264 S *	1/1995	McCoy	D12/167
D373,099 S *	8/1996	Molzon et al.	D12/16
D391,911 S *	3/1998	Lagaay et al.	D12/196
D414,735 S *	10/1999	Gerisch et al.	D12/196
D421,934 S *	3/2000	Hunter et al.	D12/92
6,098,739 A *	8/2000	Anderson et al.	180/312
D461,151 S *	8/2002	Morris	D12/196
D467,200 S	12/2002	Luo et al.		
D472,193 S *	3/2003	Sinkwitz	D12/196
D476,935 S *	7/2003	Boyer	D12/196
D490,018 S	5/2004	Berg et al.		
D493,749 S *	8/2004	Duncan	D12/16
D497,324 S	10/2004	Chestnut et al.		
D497,327 S *	10/2004	Lai	D12/92
D507,766 S *	7/2005	McMahan et al.	D12/91

D508,224 S *	8/2005	Mays et al.	D12/184
D548,662 S *	8/2007	Markefka	D12/196
D555,036 S	11/2007	Eck		
7,367,247 B2 *	5/2008	Horiuchi et al.	74/606 R
2005/0173177 A1	8/2005	Smith et al.		

OTHER PUBLICATIONS

Ray Sedorchuk, New for 2004, Yamaha Rhino 660 4x4, ATV Connection Magazine, Copyright 1996-2005, 4 pgs., Internet webpage.

(Continued)

Primary Examiner—Robert M Spear
Assistant Examiner—Cynthia Underwood
(74) *Attorney, Agent, or Firm*—Baker & Daniels LLP

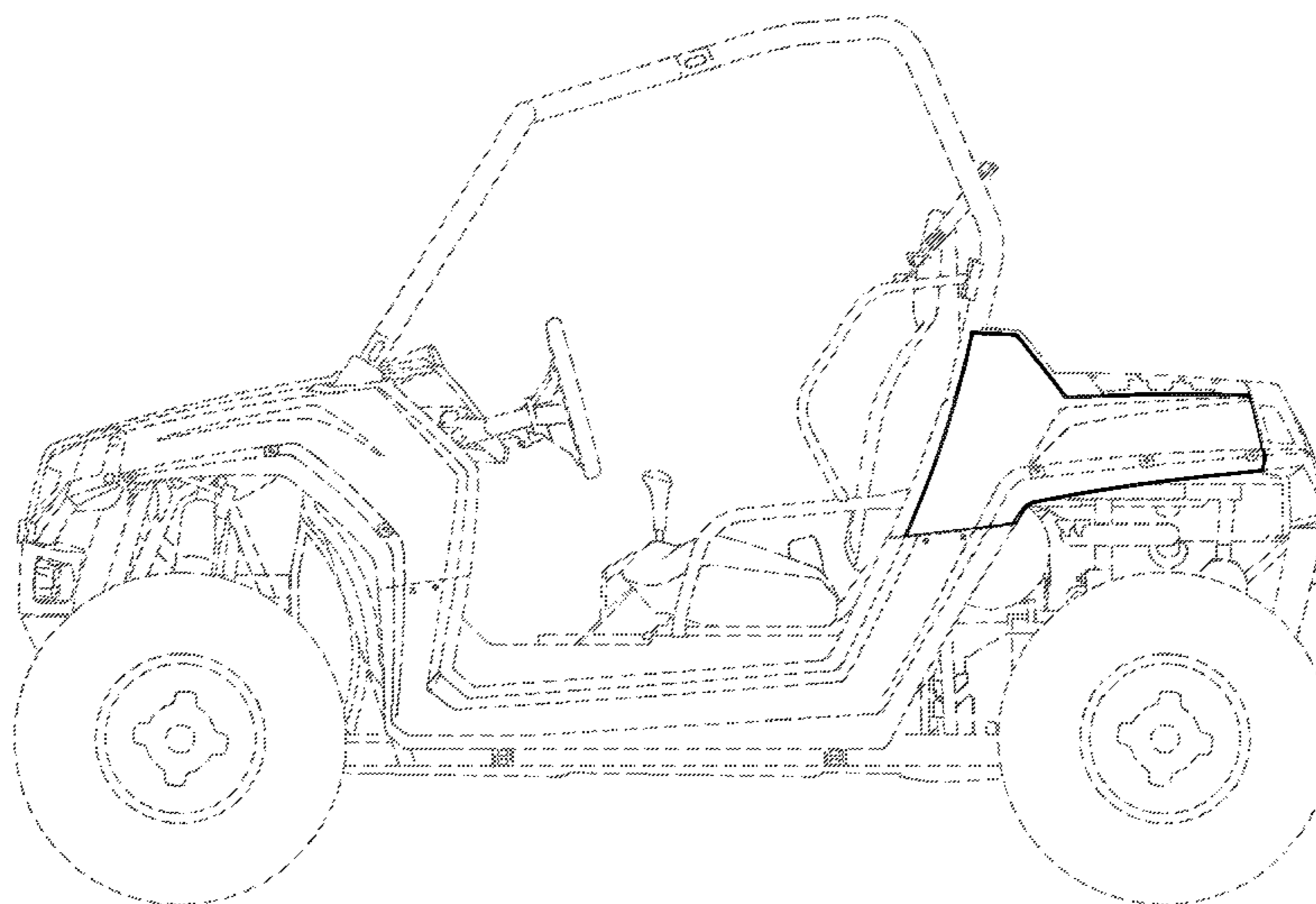
(57) **CLAIM**

I claim the ornamental design for the all terrain vehicle, as shown and described.

DESCRIPTION

FIG. 1 is a perspective view of the all terrain vehicle of the present design application;
FIG. 2 shows a left side view of the rear portion shown in FIG. 1;
FIG. 3 shows a right side view of the rear portion shown in FIG. 1; and
FIG. 4 shows a top view of the rear portion shown in FIG. 1; and,
FIG. 5 is an enlarged, left side view of the rear portion shown in FIG. 1 with unclaimed subject matter removed for clarity.
The broken lines in the drawings show environment or structure and form no part of the claimed design.

1 Claim, 5 Drawing Sheets



OTHER PUBLICATIONS

Yamaha, company website, 2006 Rhino 450 Auto 4x4, Copyright 2006, 4 pgs.

Yamaha, company website, 2006 Rhino 660 Auto 4x4 Special Edition, Copyright 2006, 4 pgs.

Yamaha, company website, 2006 Rhino 660 Auto 4x4, Copyright 2006, 4 pgs.

Yamaha, company website, 2006 Rhino 660 Auto 4x4 Exploring Edition, Copyright 2006, 13 pgs.

Arctic Cat, company website, Prowler XT 650 H1, at least as early as Dec. 19, 2006, 9 pgs.

Club Car, company website, product pages for XRT 1500 SE, at least as early as Dec. 19, 2006, 2 pgs.

Honda Hippo 1800 New Competition for Yamaha's Rhino, Dirt Wheels Magazine, Apr. 2006, pp. 91-92.

Buyers' Guide Supplement, 2006 Kart Guide, Powersports Business Magazine, 6 pgs.

International Preliminary Report on Patentability for PCT/US2006/048369 issued by the European Patent Office dated Nov. 11, 2008.

* cited by examiner

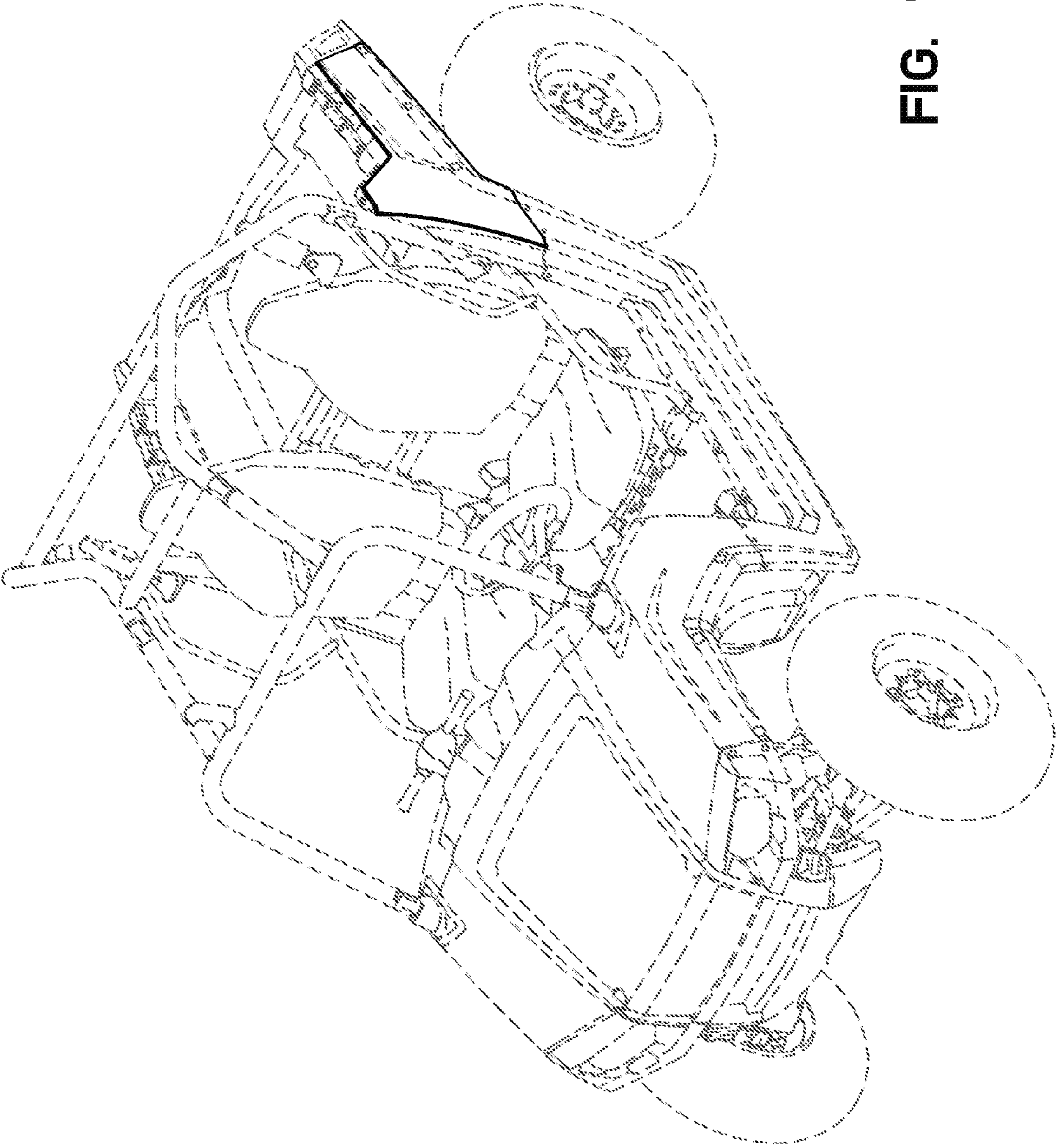


FIG. 1

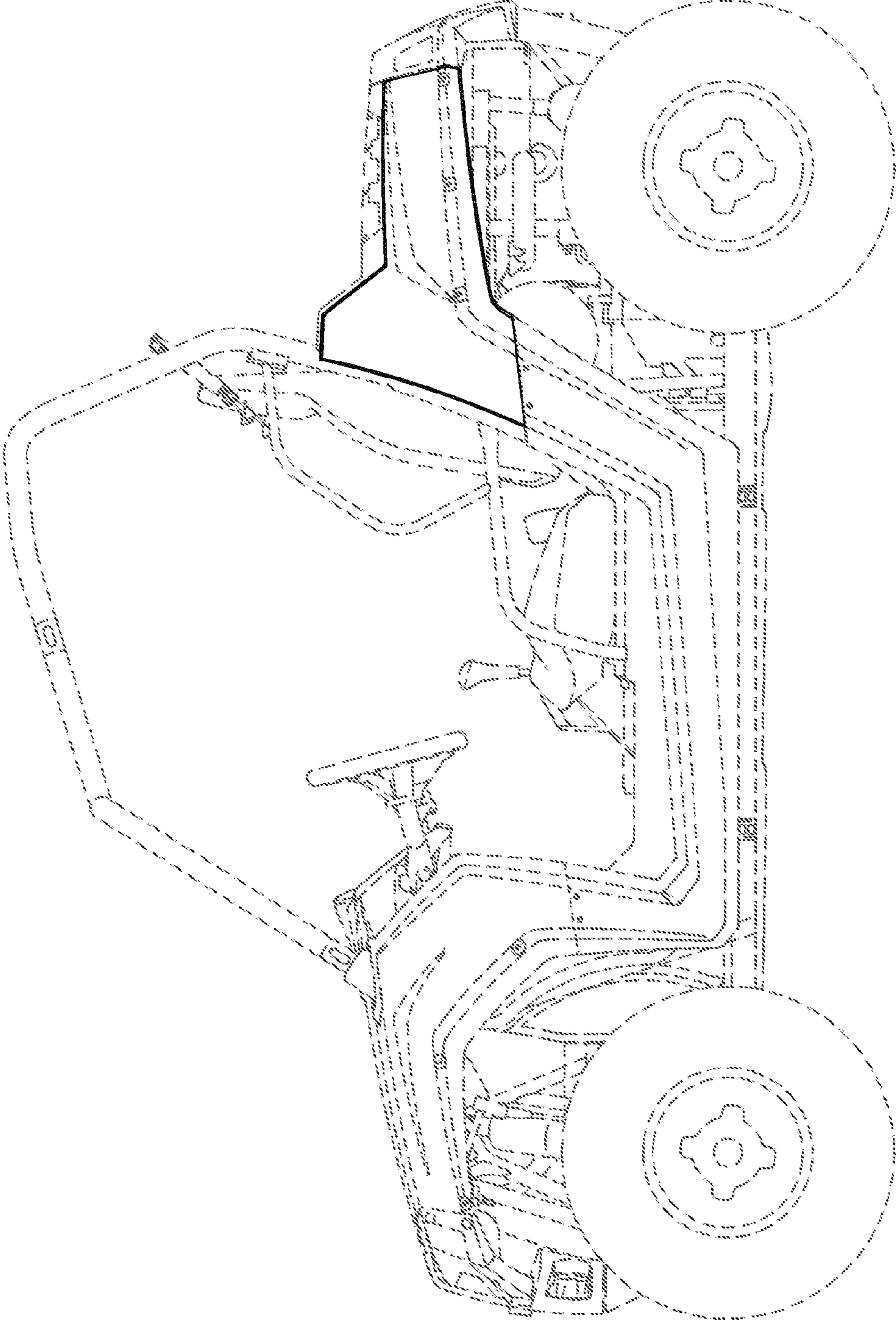


FIG. 2

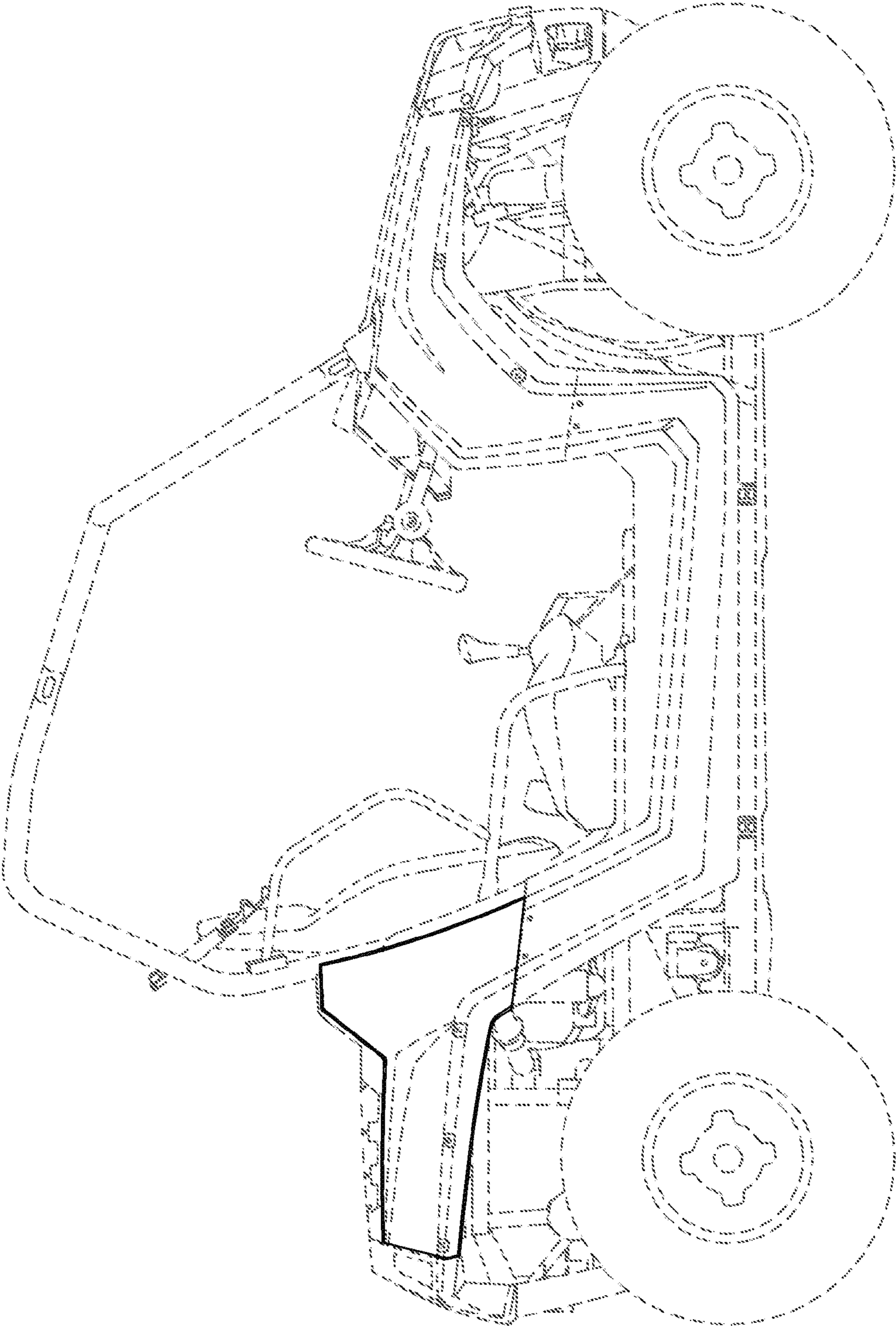


FIG. 3

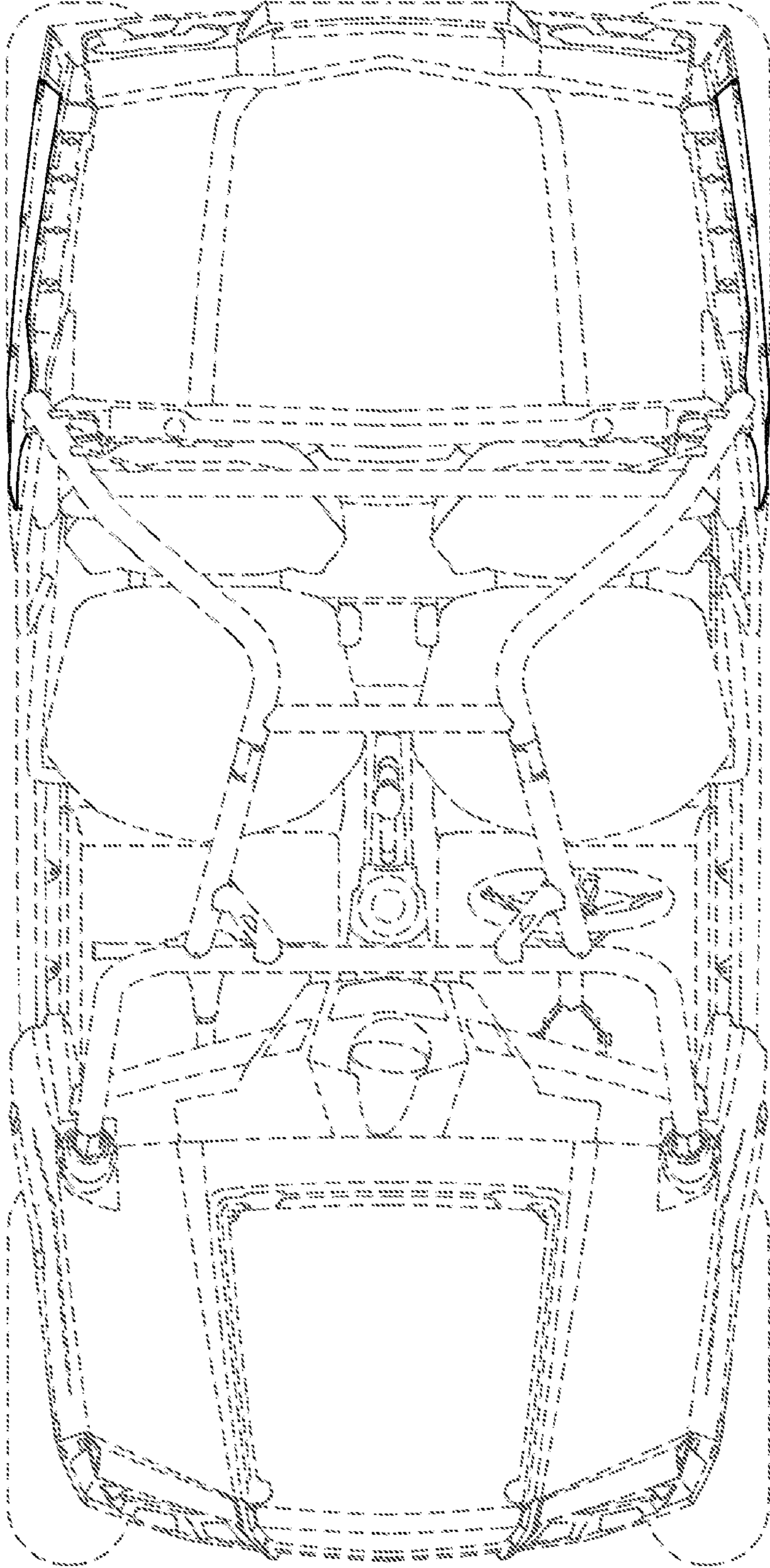


FIG. 4

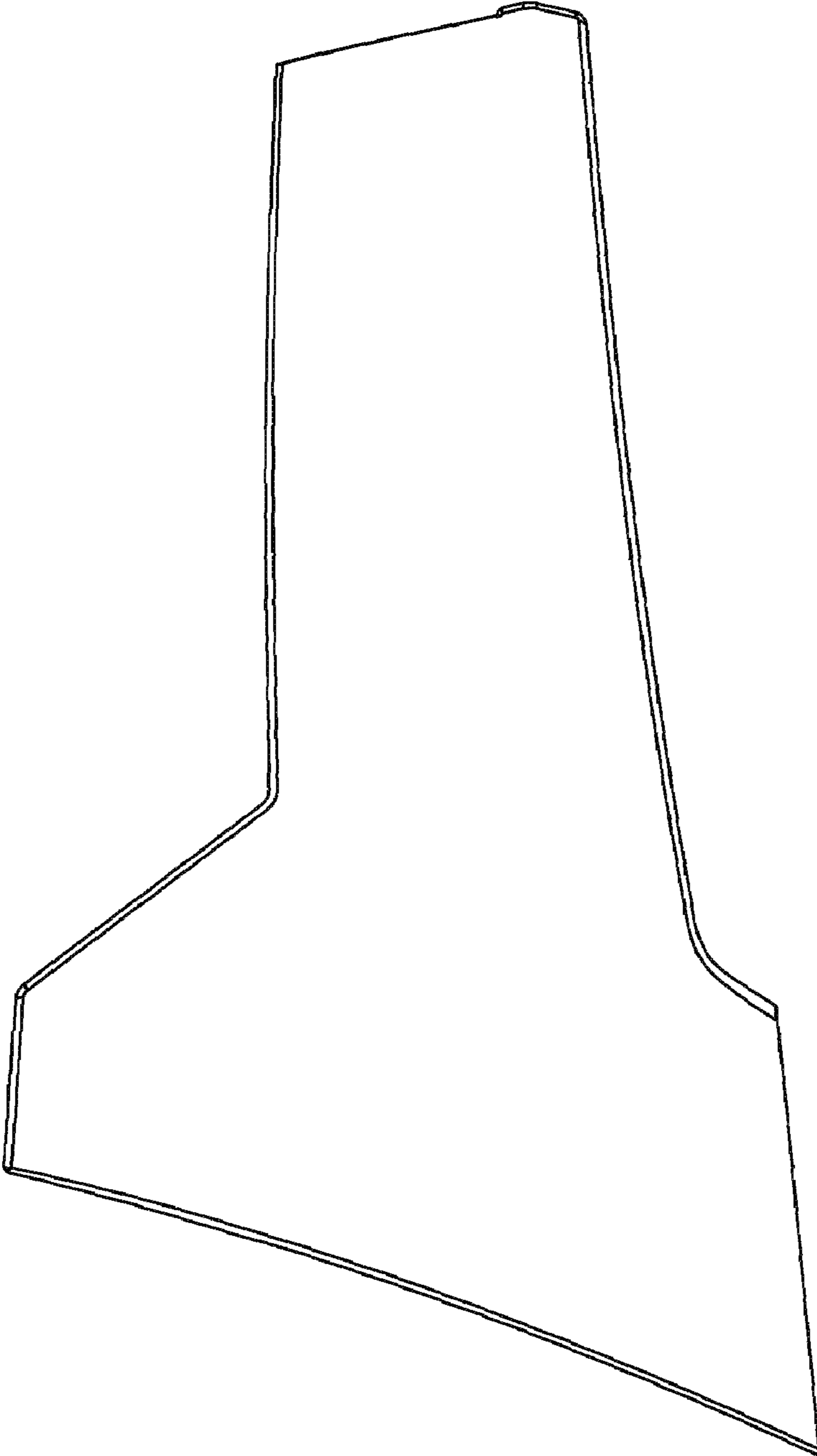


FIG. 5