



US00D610501S

(12) **United States Design Patent**
Bucher et al.

(10) **Patent No.:** **US D610,501 S**

(45) **Date of Patent:** **** Feb. 23, 2010**

(54) **VEHICLE UPPER FRONT BUMPER COVER**

Ford Explorer 4.0 Limited, Jan. 2009 NA Auto Show.

(75) Inventors: **George Bucher**, Dearborn, MI (US);
Melvin Betancourt, Shelby Township,
MI (US); **James Yu-Hsin Kuo**,
Farmington Hills, MI (US)

* cited by examiner

Primary Examiner—Melody N Brown
(74) *Attorney, Agent, or Firm*—Damian Porcari

(73) Assignee: **Ford Motor Company**, Dearborn, MI
(US)

(57) **CLAIM**

An ornamental design for a vehicle upper front bumper cover,
shown and described.

(**) Term: **14 Years**

(21) Appl. No.: **29/338,446**

(22) Filed: **Jun. 11, 2009**

(51) **LOC (9) Cl.** **12-16**

(52) **U.S. Cl.** **D12/169**

(58) **Field of Classification Search** D12/169,
D12/196, 171, 216, 163, 86, 90-92; 293/102,
293/113, 115, 117, 120; 296/180.1, 180.2
See application file for complete search history.

(56) **References Cited**

U.S. PATENT DOCUMENTS

D541,708 S	5/2007	Lau et al.	
D580,316 S	* 11/2008	Gueler et al.	D12/169
D584,996 S	1/2009	Jamieson et al.	
D585,002 S	* 1/2009	Tamura	D12/169
D585,343 S	* 1/2009	Kubota et al.	D12/169
D598,829 S	* 8/2009	Mattin et al.	D12/169

OTHER PUBLICATIONS

Ford Concept Ecosport AT, 2006 Sao Paulo Brazil Auto Show.
Ford Concept Explorer America, Jan. 2008 NA Auto Show.

DESCRIPTION

FIG. 1 is a top plan view of a vehicle upper front bumper cover;

FIG. 2 is a bottom plan view of the vehicle upper front bumper cover;

FIG. 3 is front elevational view of the vehicle upper front bumper cover;

FIG. 4 is a left side elevational view of the vehicle upper front bumper cover;

FIG. 5 is a right side elevational view of the vehicle upper front bumper cover; and,

FIG. 6 is a perspective view of the vehicle upper front bumper cover.

The broken lines and the lighter contrast areas shown throughout the drawing are shown for illustrative purpose only and form no part of the claimed design.

1 Claim, 6 Drawing Sheets

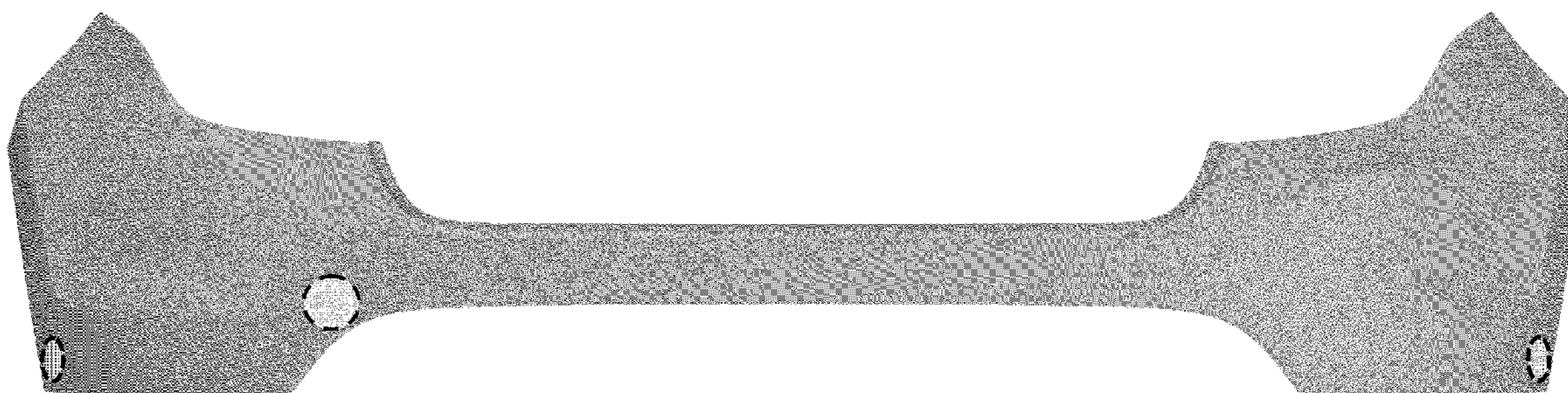




Figure 1

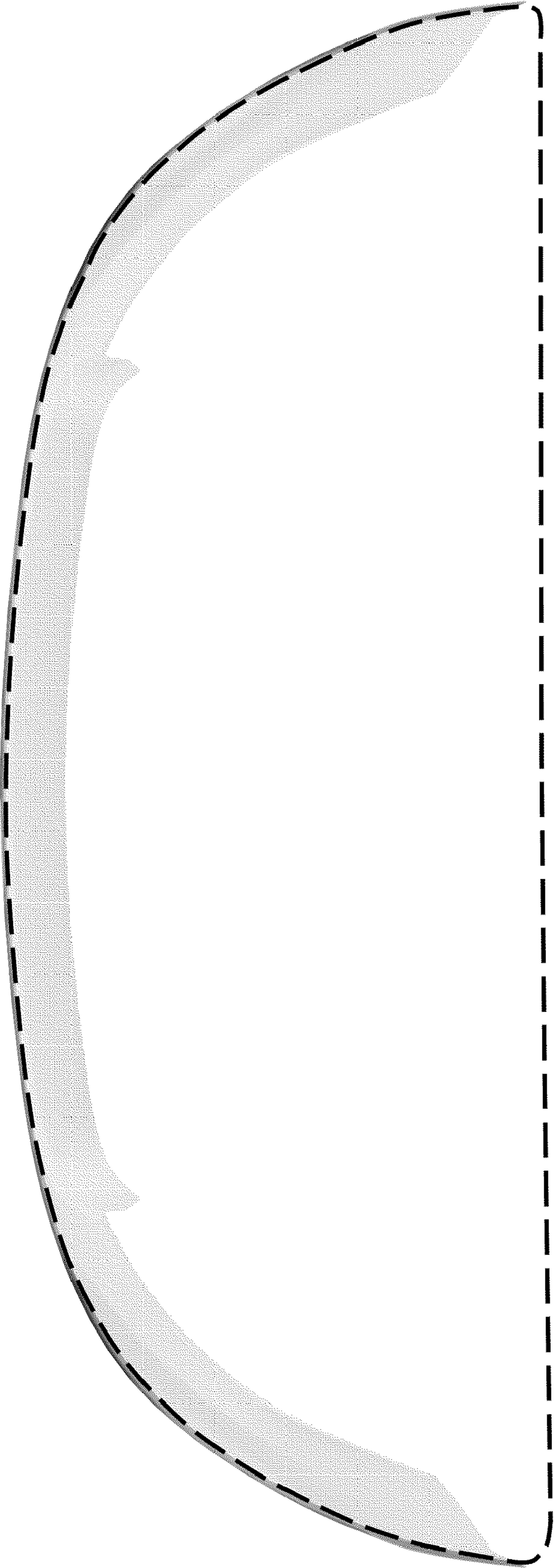


Figure 2

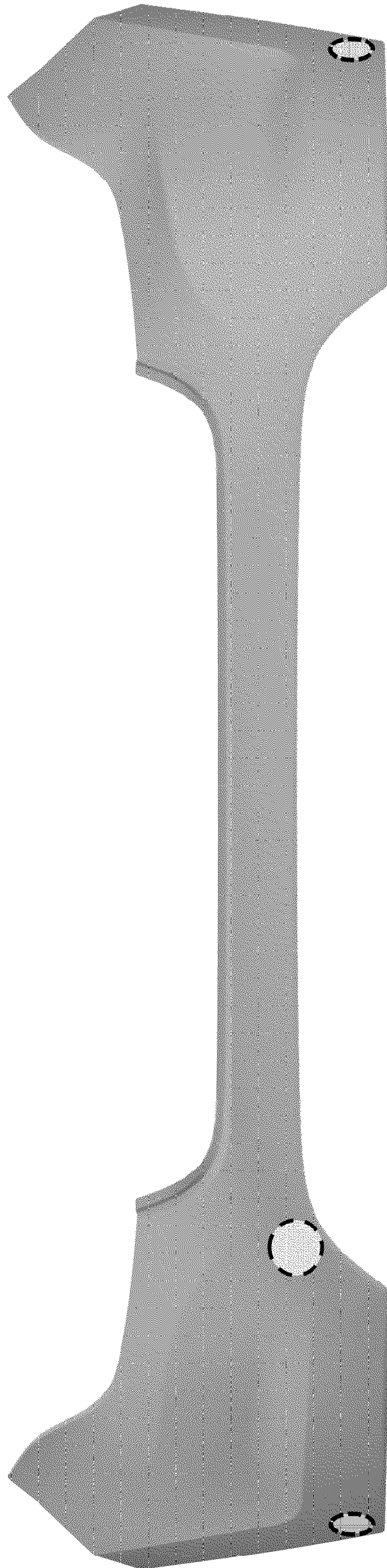


Figure 3

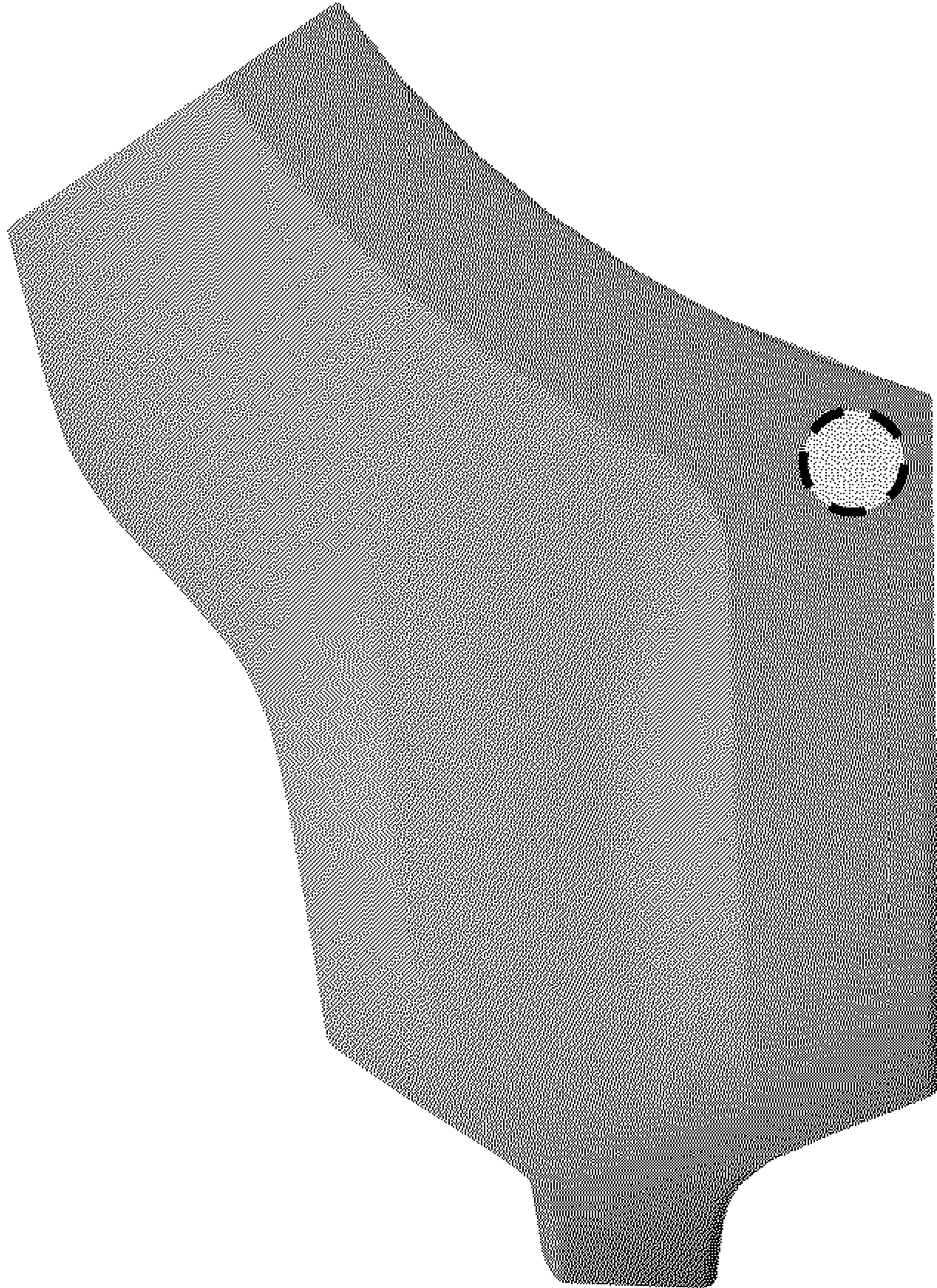


Figure 4



Figure 5



Figure 6