



US00D610500S

(12) **United States Design Patent**  
**Kulla et al.**

(10) **Patent No.:** **US D610,500 S**  
(45) **Date of Patent:** **\*\* Feb. 23, 2010**

(54) **AUTOMOBILE BUMPER**

(75) Inventors: **Matthias Kulla**, Renningen (DE);  
**Andreas Preuninger**, Weissach-Flacht  
(DE)

(73) Assignee: **Dr. Ing. h.c. F. Porsche AG**, Stuttgart  
(DE)

(\*\*) Term: **14 Years**

(21) Appl. No.: **29/335,842**

(22) Filed: **Apr. 23, 2009**

(30) **Foreign Application Priority Data**

Nov. 7, 2008 (DE) ..... 40 2008 005 342

(51) **LOC (9) Cl.** ..... **12-16**

(52) **U.S. Cl.** ..... **D12/169**

(58) **Field of Classification Search** ..... D12/169,  
D12/196, 171, 216, 163, 86, 90-92; 293/102,  
293/113, 115, 117, 120; 296/180.1, 180.2  
See application file for complete search history.

(56) **References Cited**

**U.S. PATENT DOCUMENTS**

D514,481 S \* 2/2006 Lai ..... D12/169

D532,345 S \* 11/2006 Kulla et al. .... D12/169  
D588,510 S \* 3/2009 Woolley et al. .... D12/169  
D590,306 S \* 4/2009 Saracoglu ..... D12/169  
D592,565 S \* 5/2009 Borkert ..... D12/169  
D592,567 S \* 5/2009 Saracoglu ..... D12/169

\* cited by examiner

*Primary Examiner*—Melody N Brown

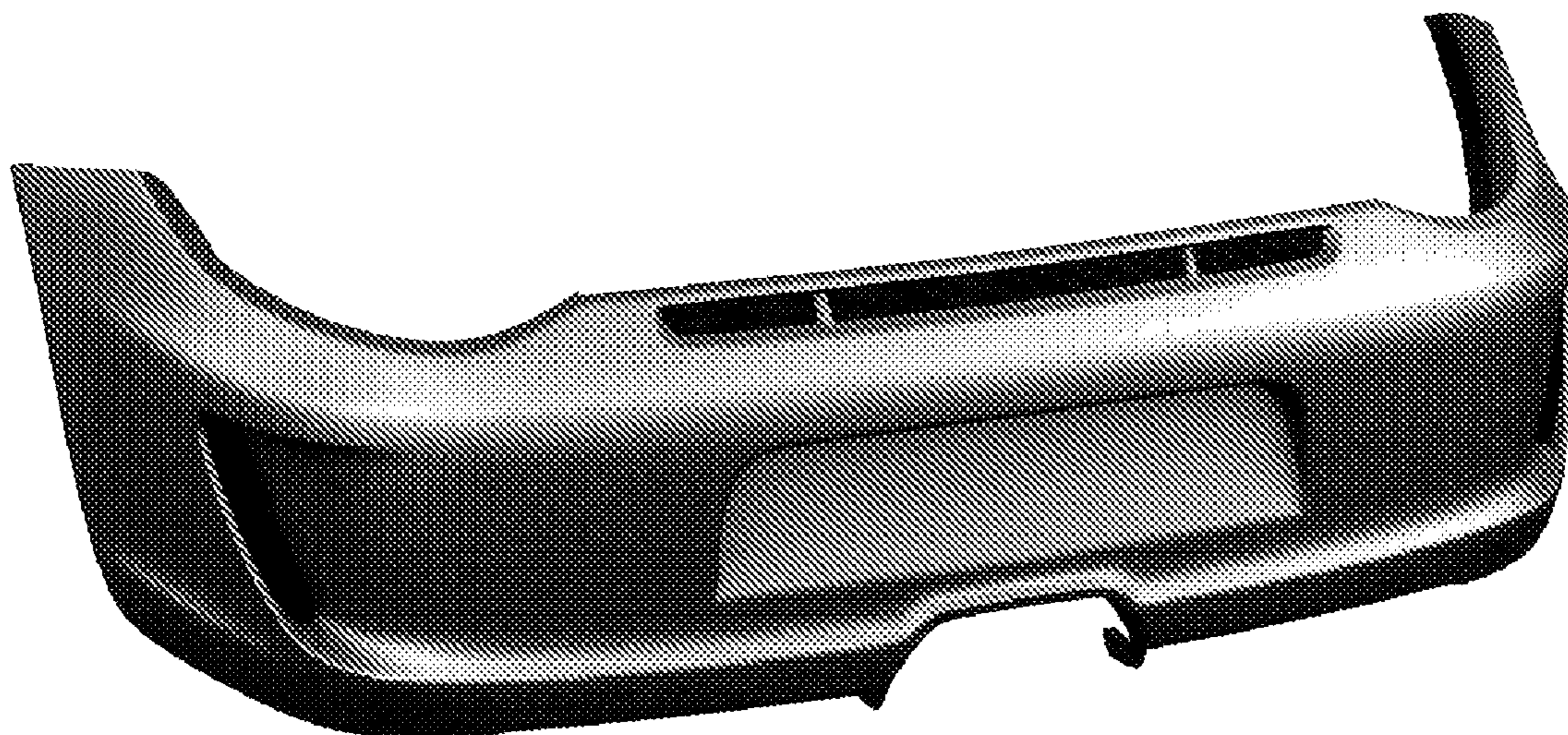
(57) **CLAIM**

The ornamental design for the automobile bumper, as shown and described.

**DESCRIPTION**

FIG. 1 is a front perspective view of an automobile bumper showing my new design;  
FIG. 2 is a front view thereof;  
FIG. 3 is a left-side view thereof;  
FIG. 4 is a right-side view thereof;  
FIG. 5 is a top, plan view thereof; and,  
FIG. 6 is a bottom plan view thereof.

**1 Claim, 3 Drawing Sheets**



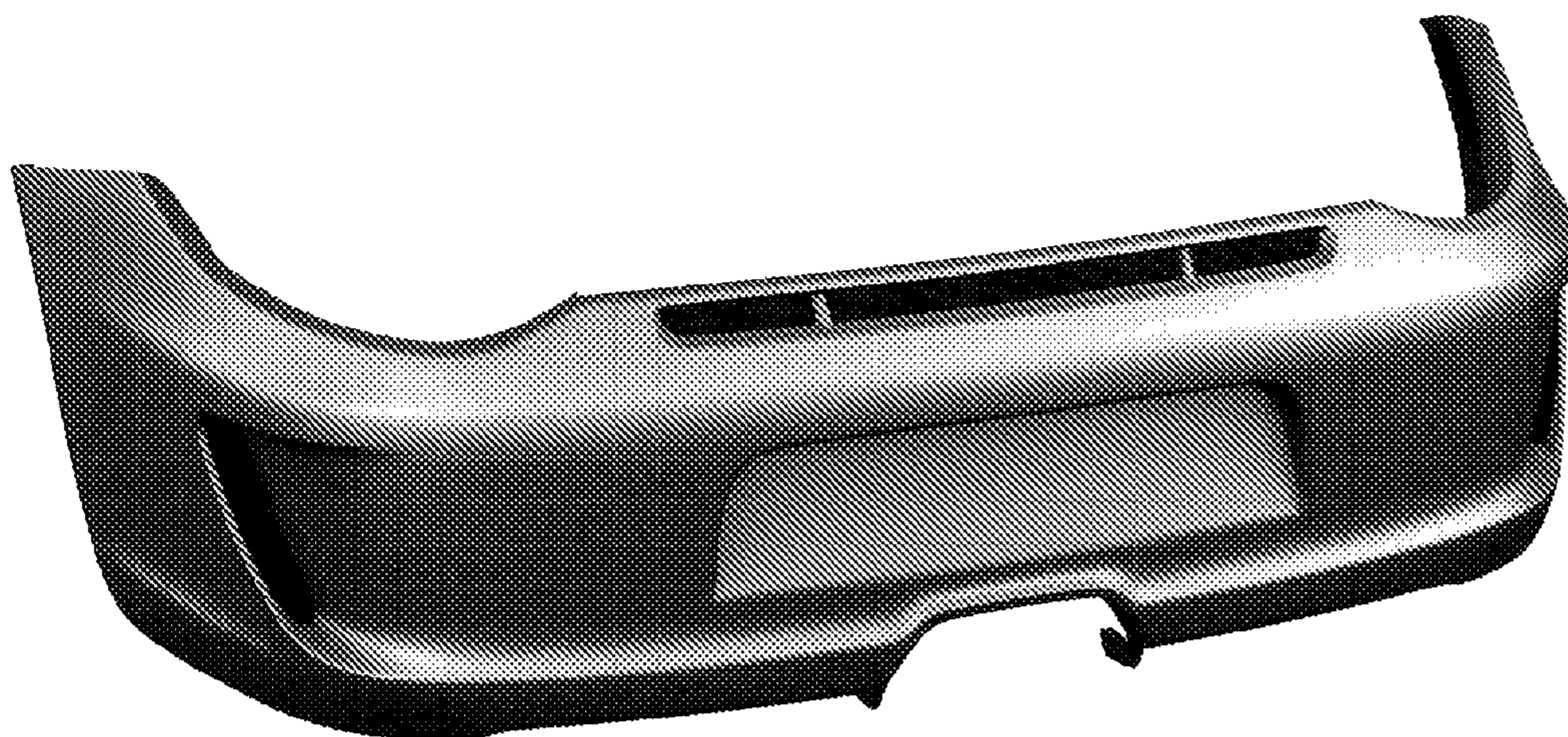


FIG. 1

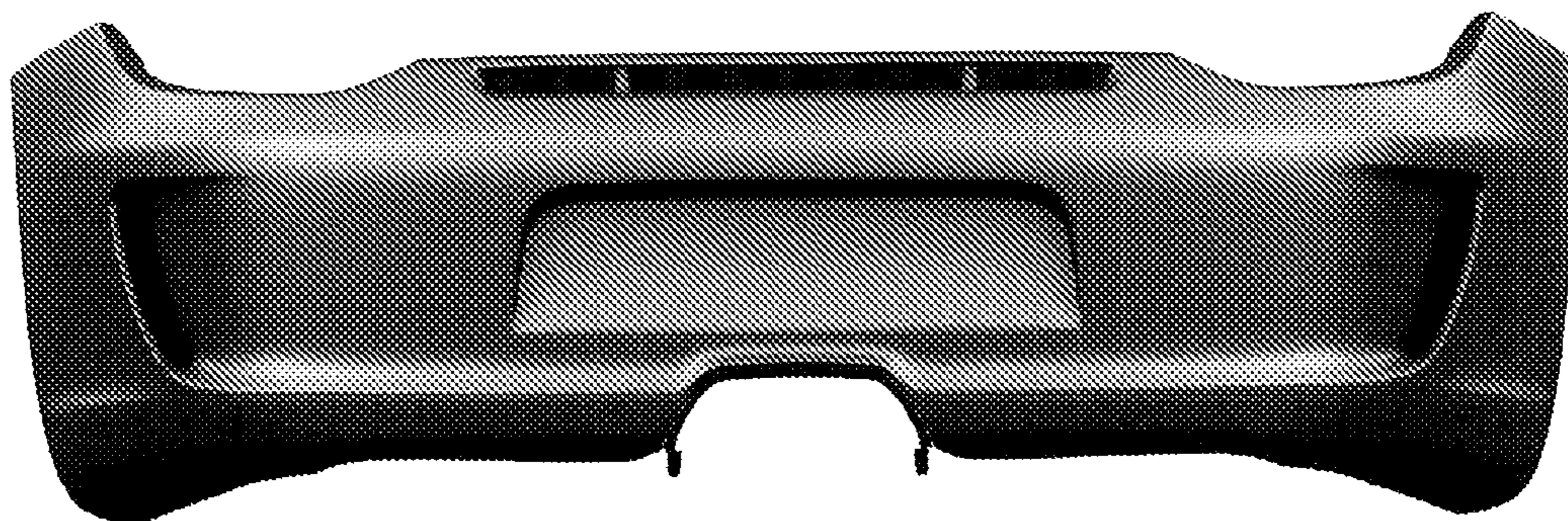


FIG. 2

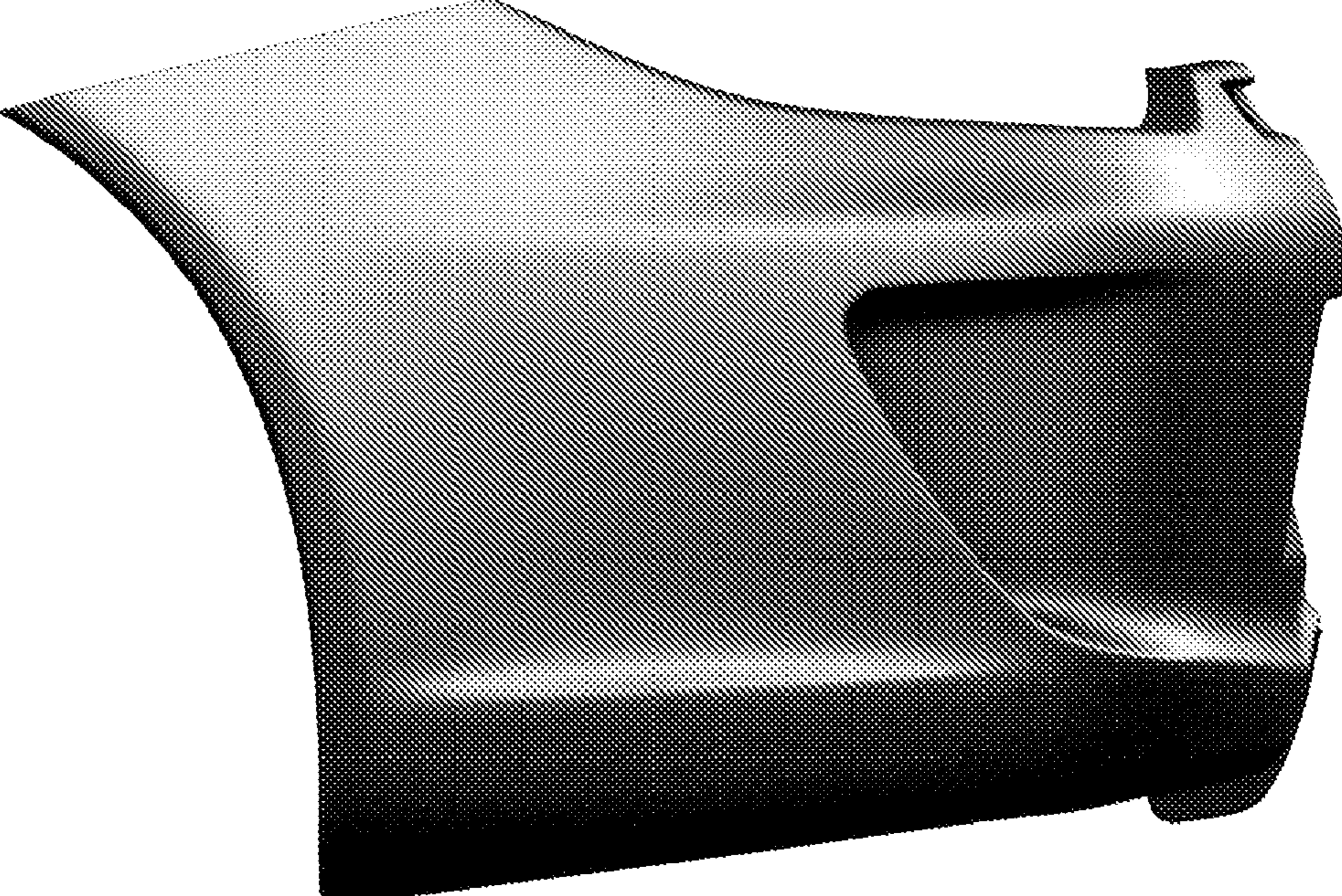


FIG. 3

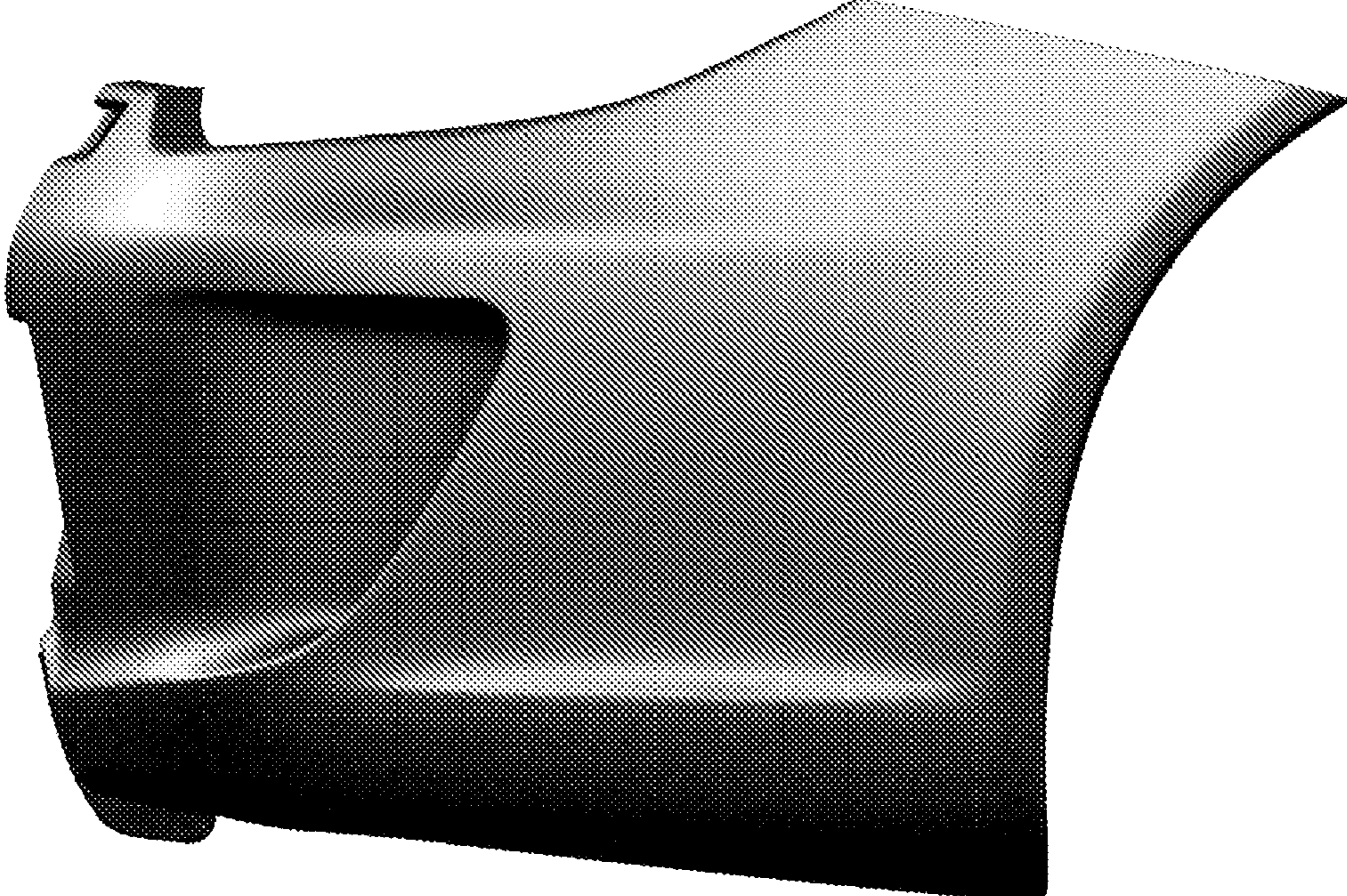


FIG. 4

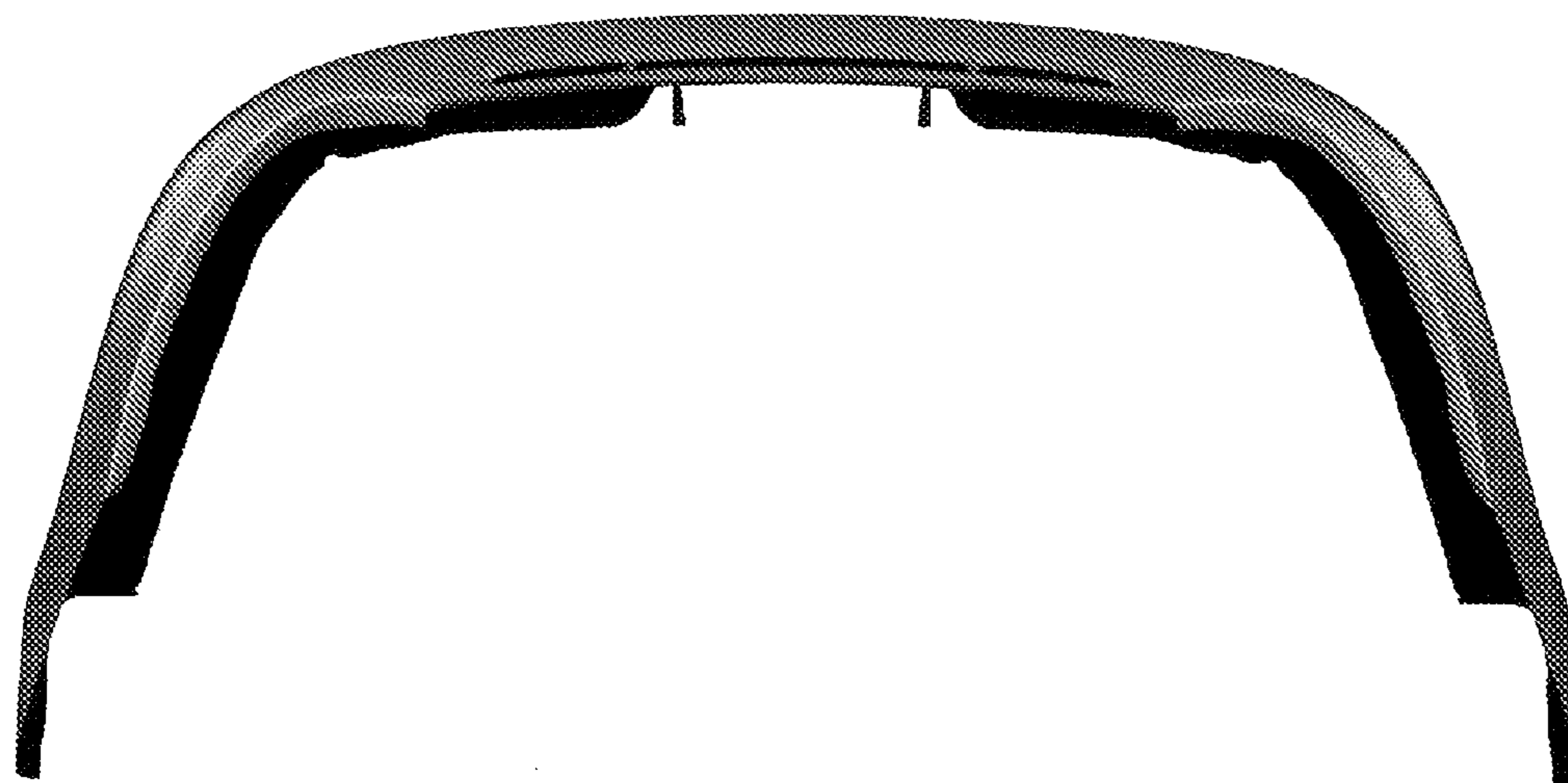


FIG. 5

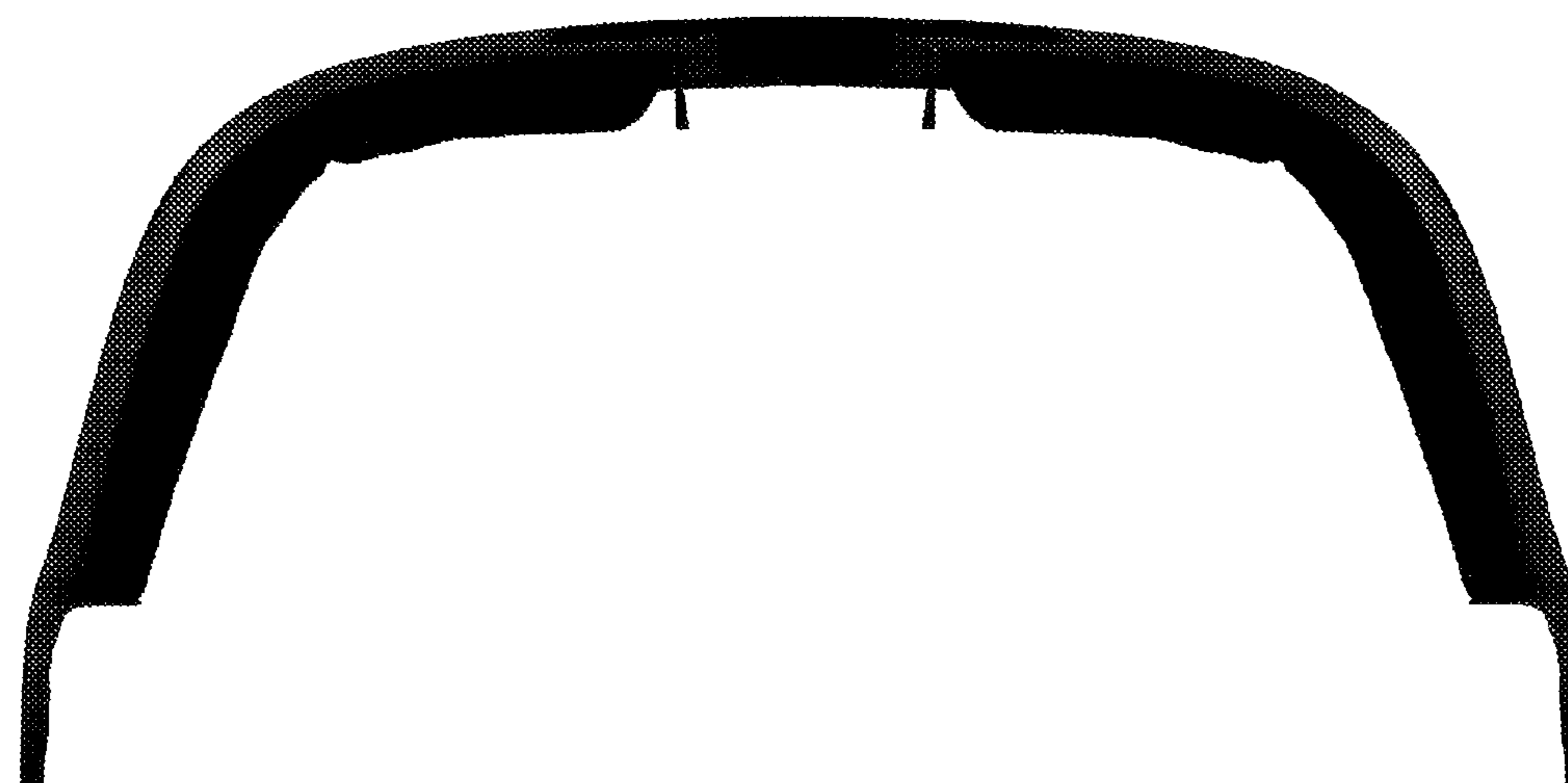


FIG. 6