



US00D610498S

(12) **United States Design Patent**
Truebsbach

(10) **Patent No.:** **US D610,498 S**

(45) **Date of Patent:** **** Feb. 23, 2010**

(54) **REAR BUMPER FOR A VEHICLE**

D598,824 S * 8/2009 Bauer et al. D12/169

(75) Inventor: **Sebastian Truebsbach**, Munich (DE)

* cited by examiner

(73) Assignee: **Bayerische Motoren Werke Aktiengesellschaft**, Munich (DE)

Primary Examiner—Melody N Brown
(74) *Attorney, Agent, or Firm*—Crowell & Moring LLP

(**) Term: **14 Years**

(57) **CLAIM**

(21) Appl. No.: **29/311,751**

The ornamental design for a rear bumper for a vehicle, as shown and described.

(22) Filed: **Jun. 10, 2009**

DESCRIPTION

(30) **Foreign Application Priority Data**

Dec. 11, 2008 (DE) 40 2008 006 148

This application contains subject matter related to the following co-pending U.S. patent application:

(51) **LOC (9) Cl.** **12-16**

Application Ser. No. 29/311,752, filed on even date herewith and entitled Rear Bumper for a Vehicle.

(52) **U.S. Cl.** **D12/169**

(58) **Field of Classification Search** D12/169,
D12/196, 171, 216, 163, 86, 90-92; 293/102,
293/113, 115, 117, 120; 296/180.1, 180.2
See application file for complete search history.

FIG. 1 is a left perspective view of a rear bumper for a vehicle according to my design;

FIG. 2 is a right perspective view thereof;

FIG. 3 is a front view thereof;

FIG. 4 is a top view thereof;

FIG. 5 is a bottom view thereof; and,

FIG. 6 is a left side view thereof, the right side view being mirror symmetrical.

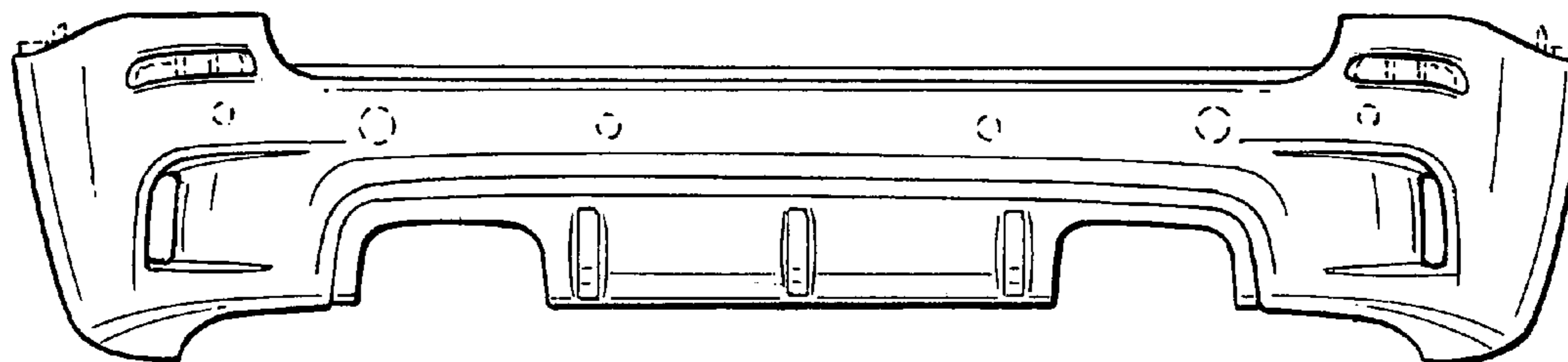
The broken lines are for illustrative purposes only and form no part of the claimed design.

(56) **References Cited**

U.S. PATENT DOCUMENTS

- D537,392 S * 2/2007 Pfeiffer D12/169
- D559,746 S * 1/2008 Hieke D12/169
- D563,842 S * 3/2008 Pfeiffer D12/169
- D584,199 S 1/2009 Leclercq
- D586,271 S * 2/2009 Futschik et al. D12/169
- D590,308 S * 4/2009 Futschik et al. D12/169

1 Claim, 3 Drawing Sheets



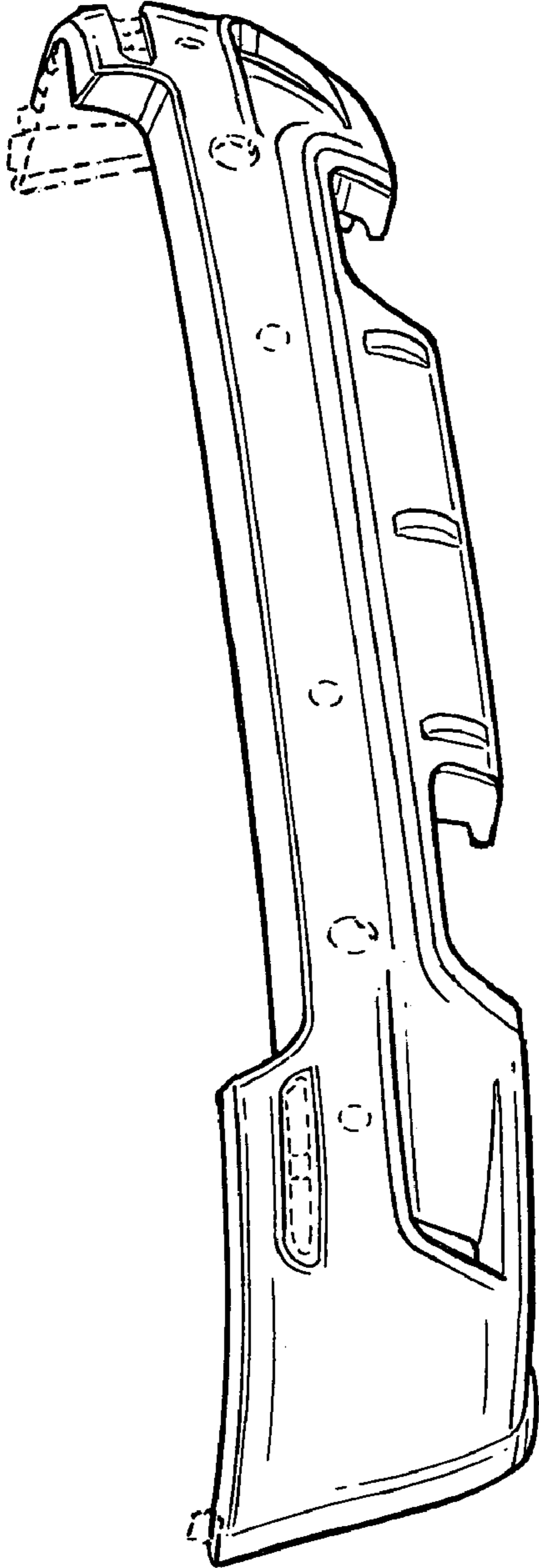


FIG. 1

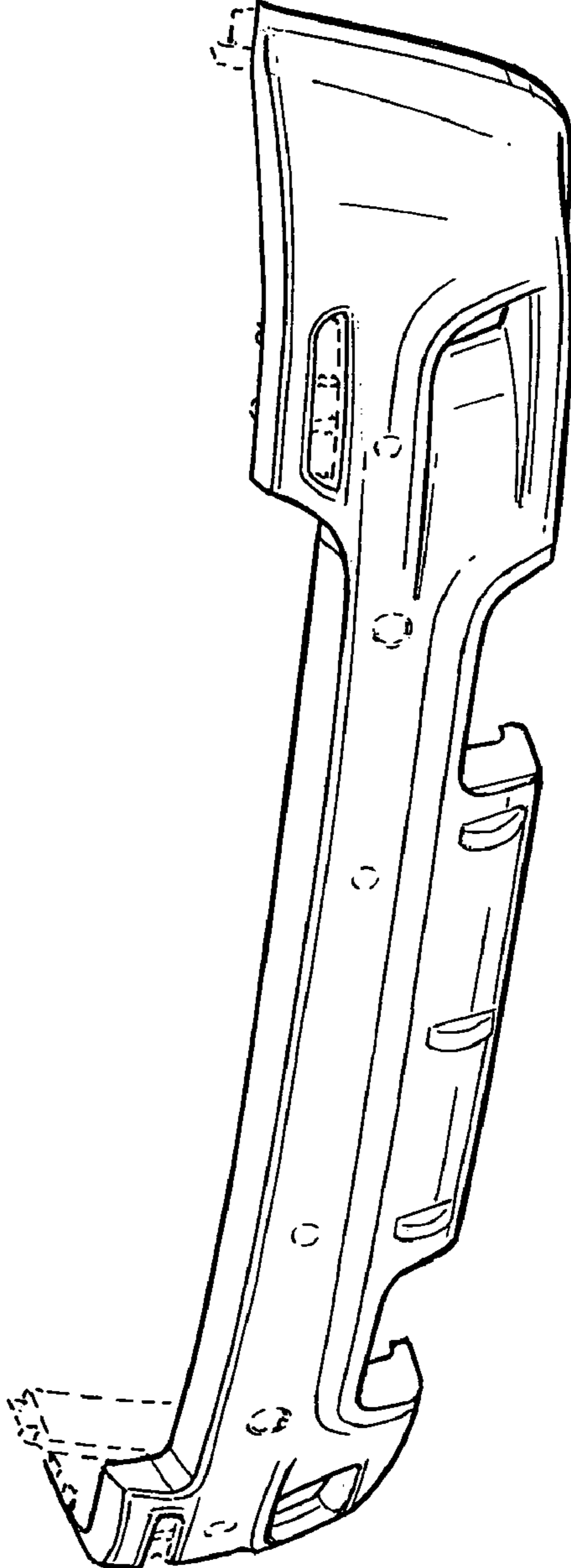


FIG. 2

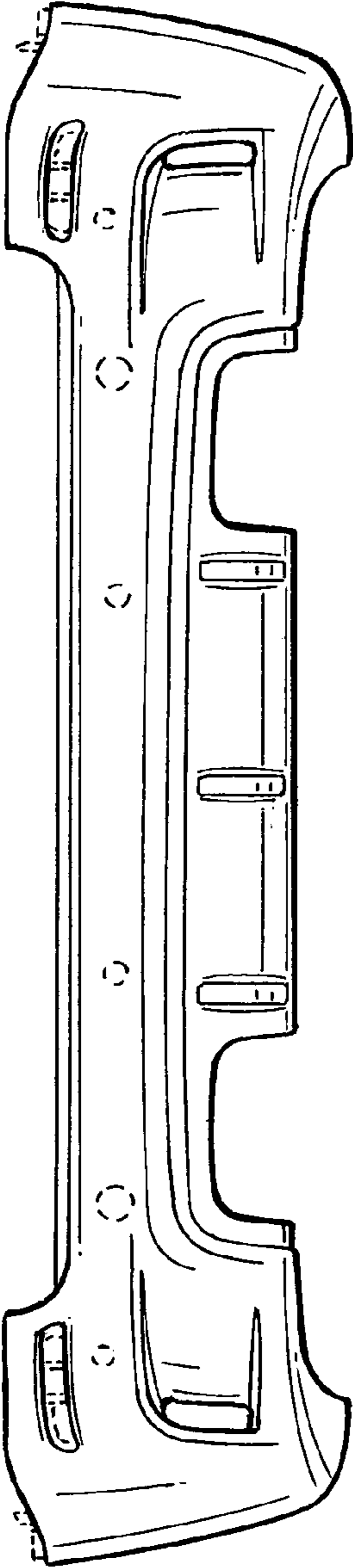


FIG. 3

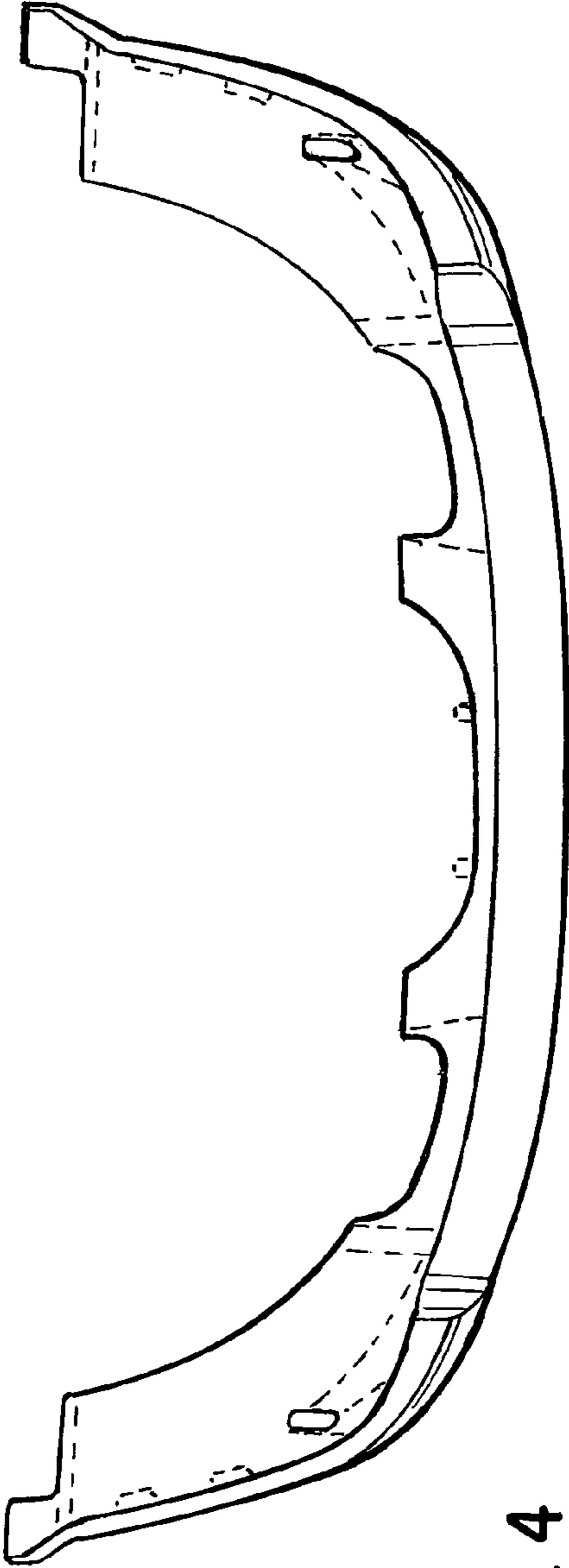


FIG. 4

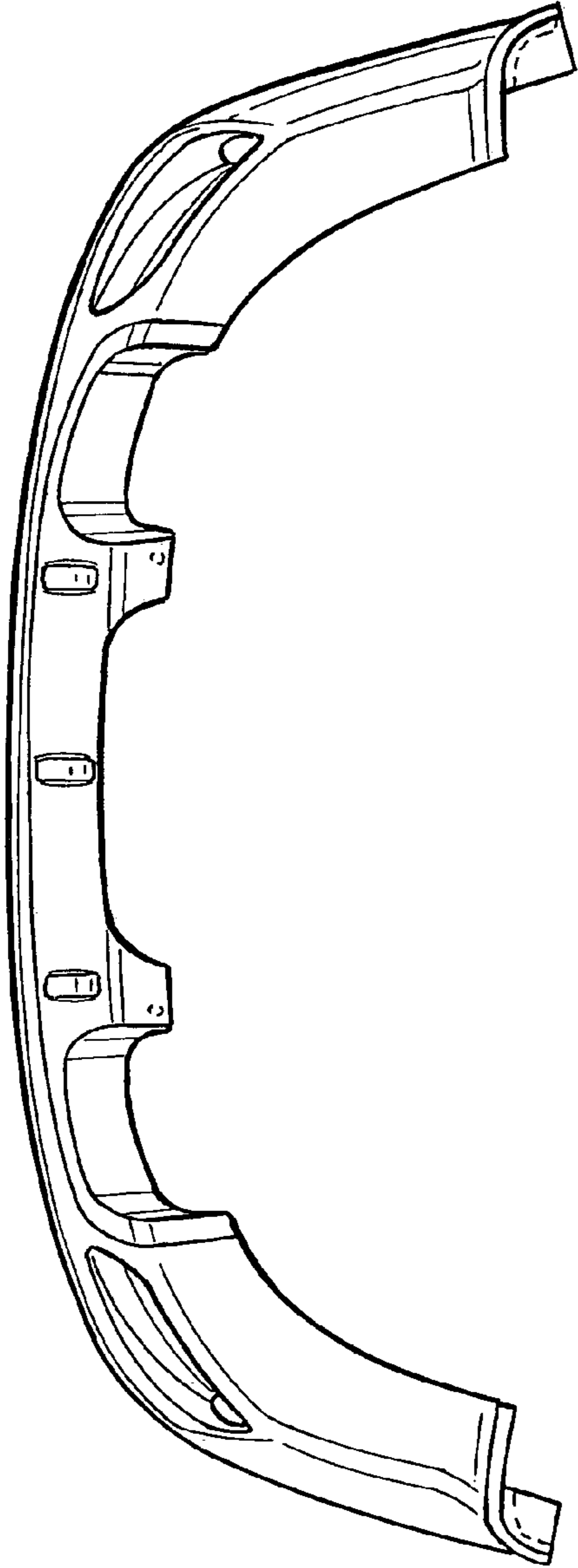


FIG. 5

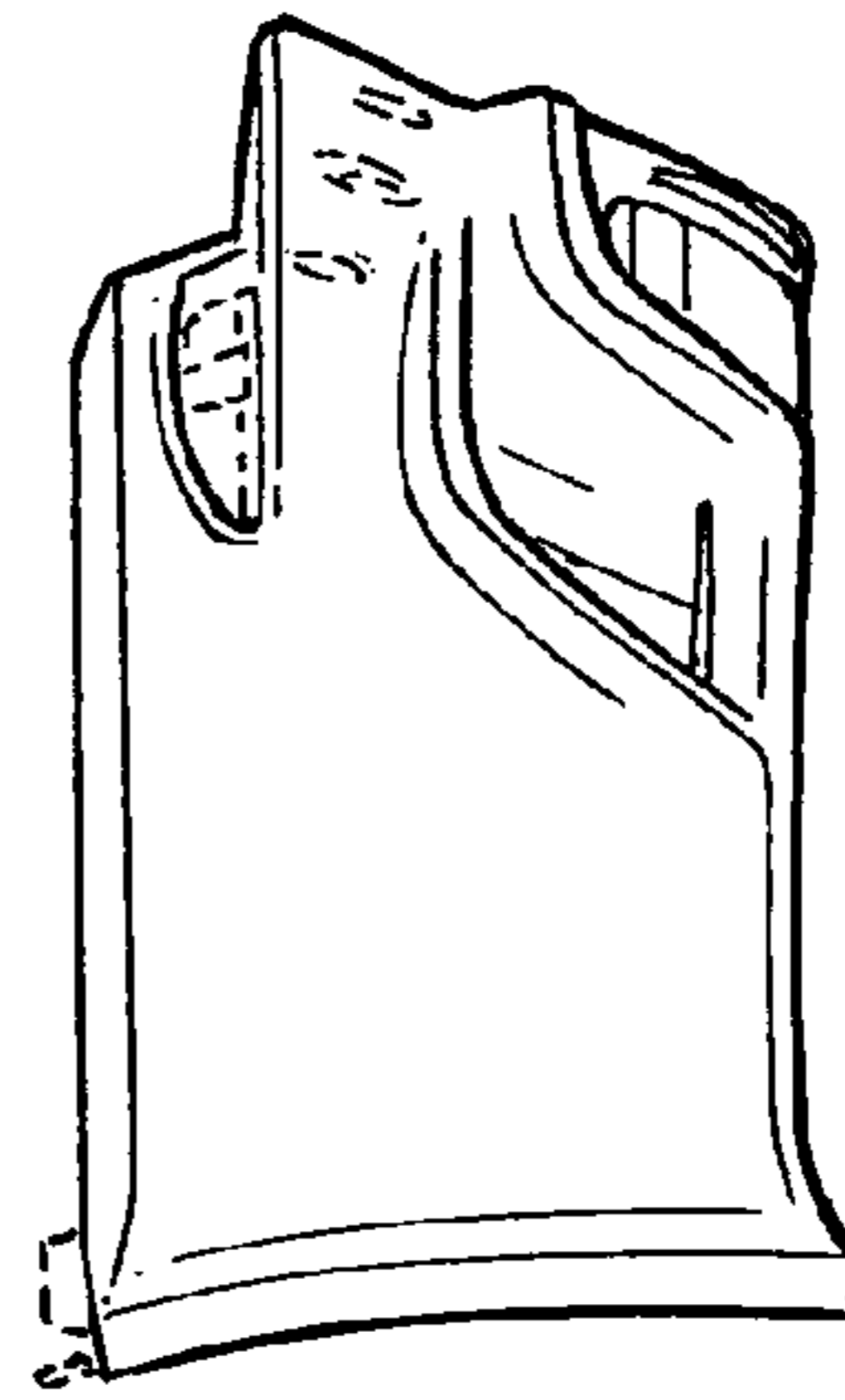


FIG. 6