



US00D610494S

(12) **United States Design Patent**  
**Tambornino**

(10) **Patent No.:** **US D610,494 S**  
(45) **Date of Patent:** **\*\* Feb. 23, 2010**

(54) **SIDED CURVED BALL HITCH**

(75) Inventor: **Curt Tambornino**, Altoona, WI (US)

(73) Assignee: **Curt Manufacturing, Inc.**, Eau Claire, WI (US)

(\*\*) Term: **14 Years**

(21) Appl. No.: **29/335,964**

(22) Filed: **Apr. 24, 2009**

(51) **LOC (9) Cl.** ..... **12-16**

(52) **U.S. Cl.** ..... **D12/162**

(58) **Field of Classification Search** ..... D12/161-162,  
D12/400; 280/186, 402-404, 405.1-405.2,  
280/407-407.1, 415.1, 416.1-416.3, 477,  
280/479.2, 482-483, 490.1, 491.1-491.5,  
280/493-495, 498-499, 507, 509, 511-513;  
224/500-537

See application file for complete search history.

(56) **References Cited**

**U.S. PATENT DOCUMENTS**

|           |    |   |         |                   |       |           |
|-----------|----|---|---------|-------------------|-------|-----------|
| D157,643  | S  | * | 3/1950  | Swaisgood         | ..... | D12/162   |
| D158,372  | S  | * | 5/1950  | Gee               | ..... | D12/162   |
| 2,639,160 | A  | * | 5/1953  | Studebaker et al. | ..... | 280/495   |
| 4,348,035 | A  | * | 9/1982  | Wasservogel       | ..... | 280/478.1 |
| 5,000,474 | A  | * | 3/1991  | Kristensen        | ..... | 280/491.5 |
| 5,242,186 | A  | * | 9/1993  | Pettersson        | ..... | 280/511   |
| 5,730,456 | A  |   | 3/1998  | Bowers            |       |           |
| 5,735,539 | A  |   | 4/1998  | Kravitz           |       |           |
| D431,216  | S  | * | 9/2000  | Belinky           | ..... | D12/162   |
| 6,203,048 | B1 |   | 3/2001  | Adair             |       |           |
| 6,241,271 | B1 | * | 6/2001  | Belinky           | ..... | 280/511   |
| 6,481,258 | B1 | * | 11/2002 | Belinky           | ..... | 72/324    |
| D466,844  | S  |   | 12/2002 | Billings          |       |           |
| D469,723  | S  |   | 2/2003  | McCoy             |       |           |
| 6,536,794 | B2 |   | 3/2003  | Hancock et al.    |       |           |
| 6,581,953 | B2 |   | 6/2003  | Jerry             |       |           |
| 6,709,002 | B2 |   | 3/2004  | Tambornino        |       |           |
| 6,746,038 | B2 |   | 6/2004  | McCoy et al.      |       |           |

|              |    |   |        |                   |       |           |
|--------------|----|---|--------|-------------------|-------|-----------|
| D519,065     | S  |   | 4/2006 | Tambornino        |       |           |
| 2004/0075244 | A1 | * | 4/2004 | Reutlinger et al. | ..... | 280/491.3 |
| 2004/0100066 | A1 |   | 5/2004 | Andersen          |       |           |
| 2006/0071448 | A1 | * | 4/2006 | Craig et al.      | ..... | 280/511   |
| 2008/0036179 | A1 | * | 2/2008 | Andersen          | ..... | 280/511   |

**OTHER PUBLICATIONS**

Towing Services UK, Brink Towbar Products, <http://www.brinktowbars.co.uk/new/towbars.htm>.  
BrinkMatic Mirage Manual, 2002/1.  
<http://tdiparts.com/catalog/images/parts/b55bosalAK6.jpg>.  
BrinkMatic Advance User Manual, Brink International 2004.

\* cited by examiner

*Primary Examiner*—T. Chase Nelson

*Assistant Examiner*—Kathleen M Sims

(74) *Attorney, Agent, or Firm*—Shewchuk IP Services, LLC;  
Jeffrey D. Shewchuk

(57) **CLAIM**

The ornamental design for a sided curved ball hitch, as shown and described.

**DESCRIPTION**

FIG. 1 is a top perspective view of a sided curved ball hitch showing my new design.

FIG. 2 is a left side view showing the sided curved ball hitch of FIG. 1.

FIG. 3 is top view of the sided curved ball hitch of FIGS. 1-2.

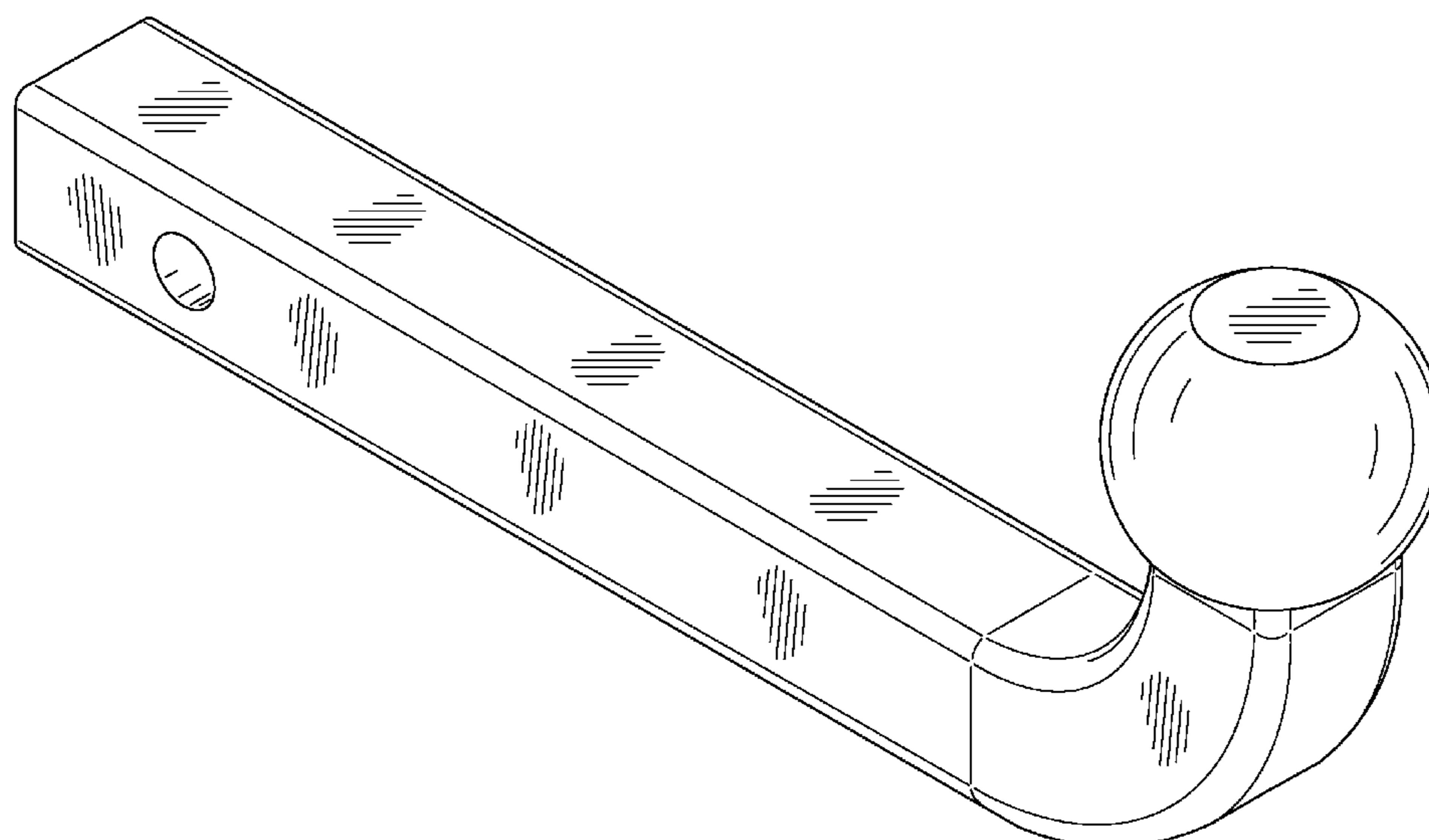
FIG. 4 is a rear view of the sided curved ball hitch of FIGS. 1-3.

FIG. 5 is a right side view of the sided curved ball hitch of FIGS. 1-4.

FIG. 6 is a bottom view of the sided curved ball hitch of FIGS. 1-5; and,

FIG. 7 is a front view of the sided curved ball hitch of FIGS. 1-6.

**1 Claim, 3 Drawing Sheets**



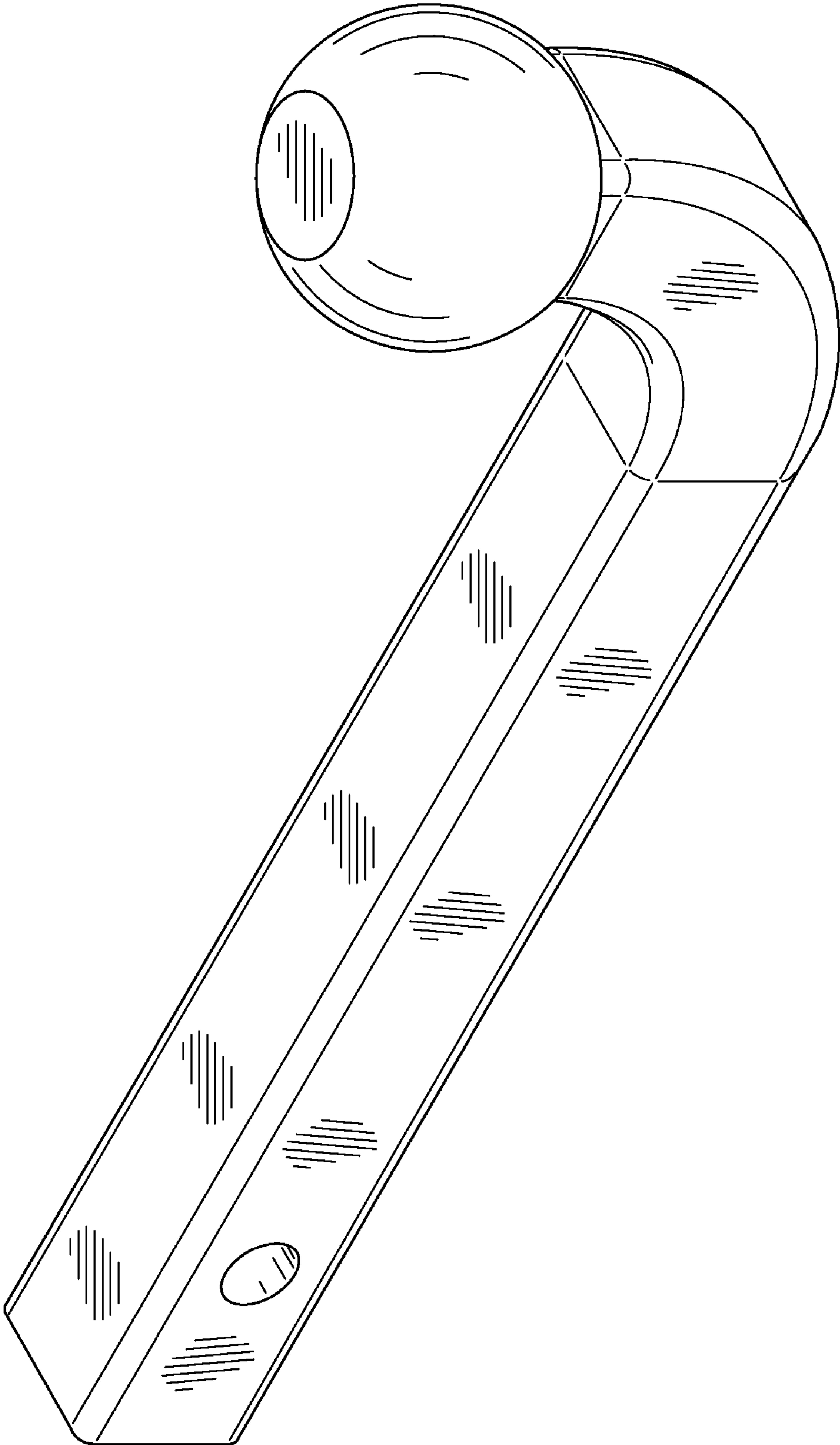


FIG. 1

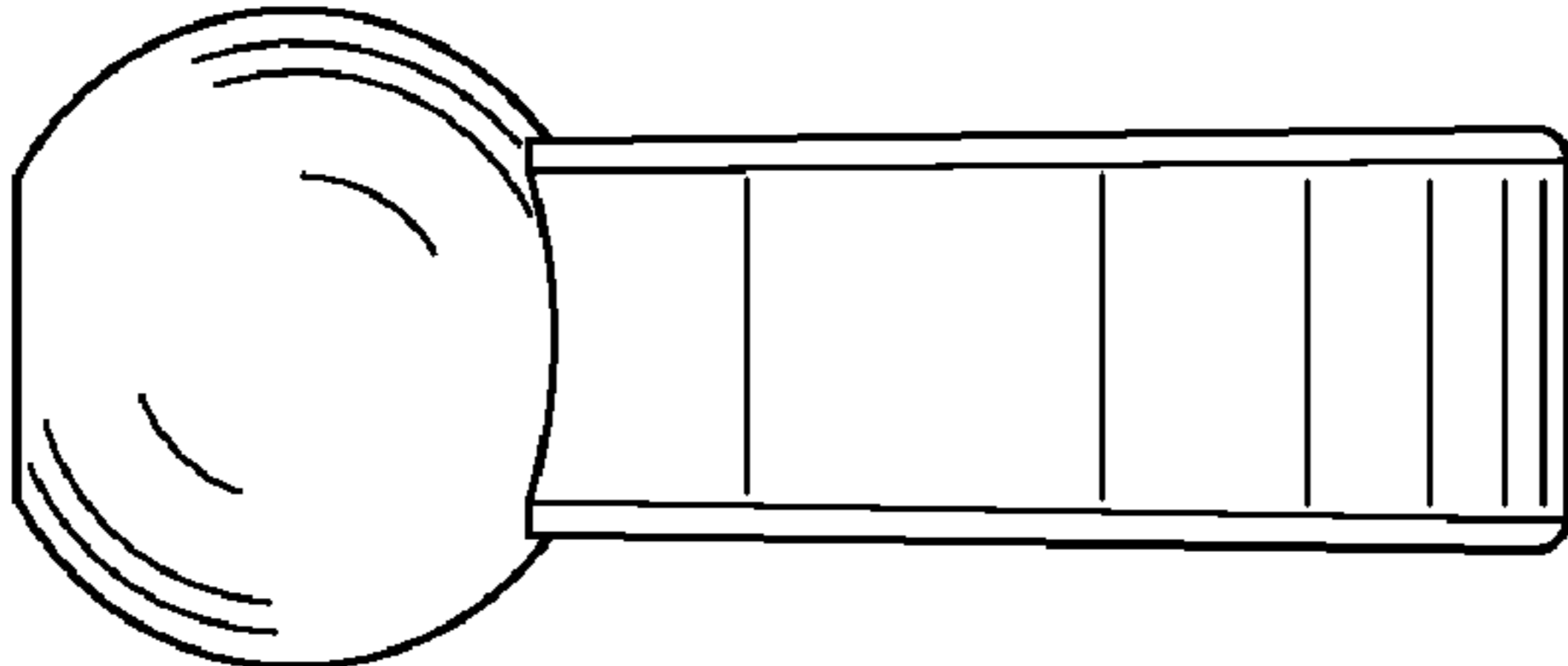


FIG. 4

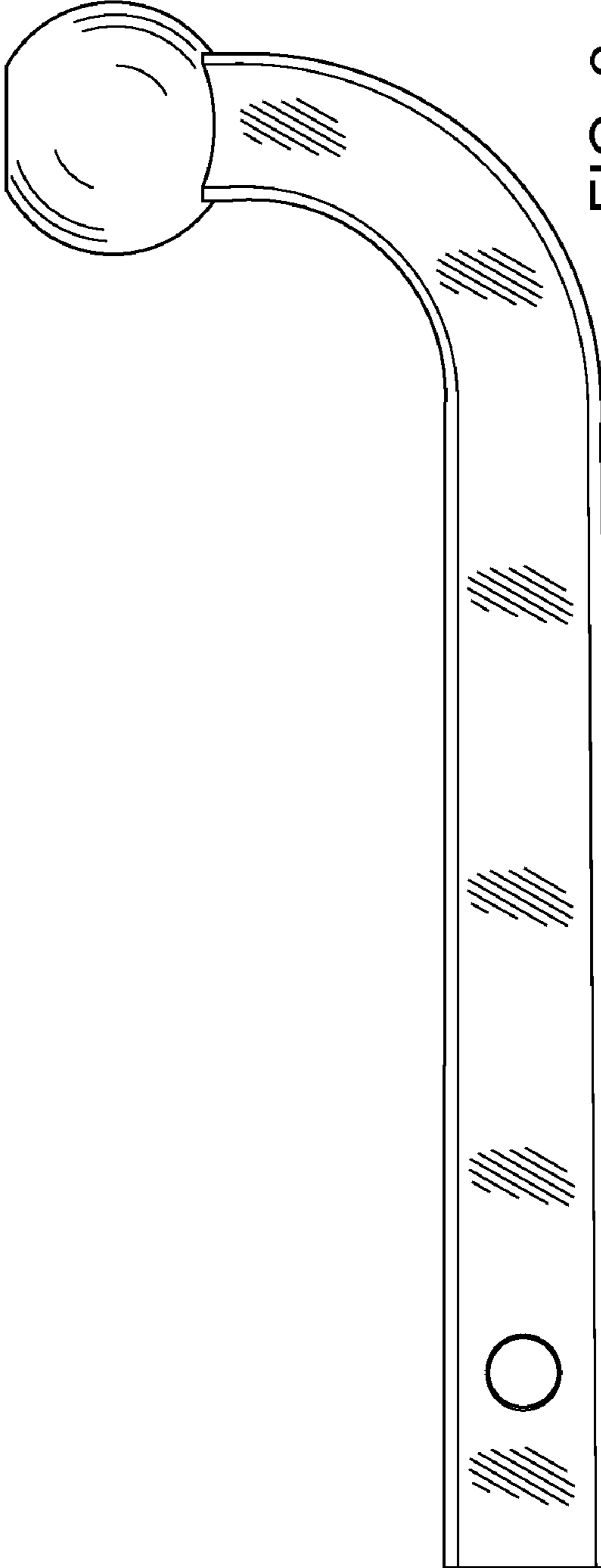


FIG. 2

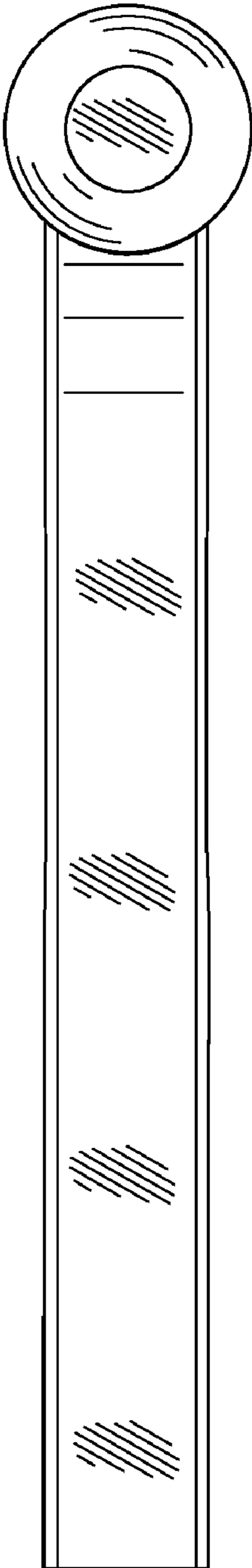


FIG. 3

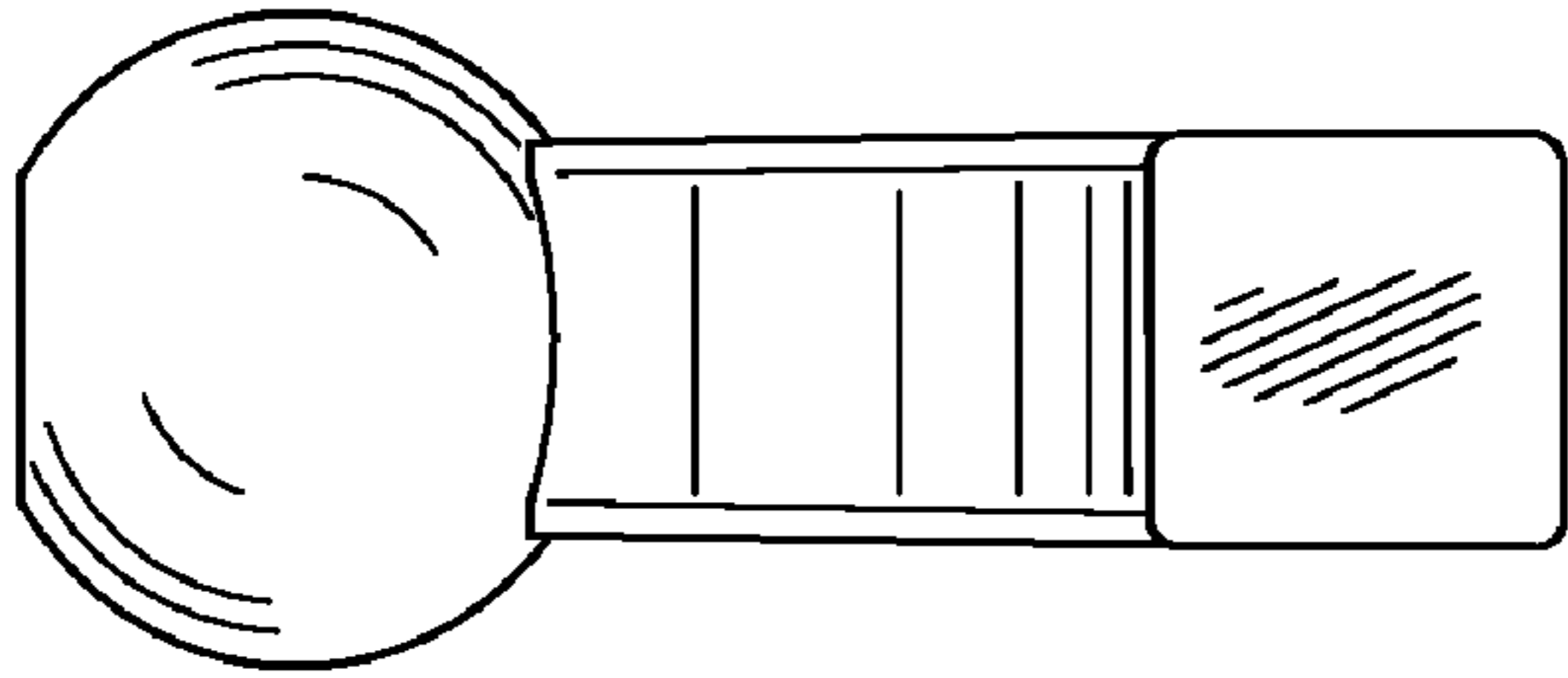


FIG. 7

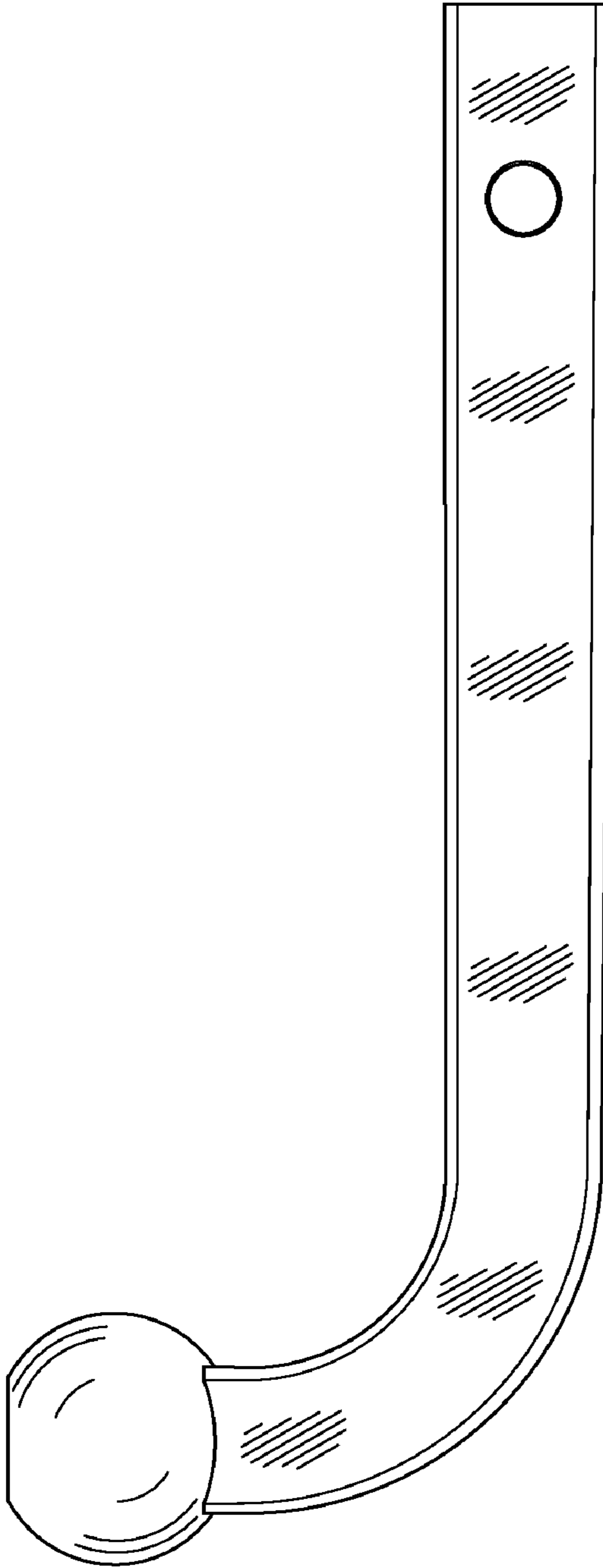


FIG. 5

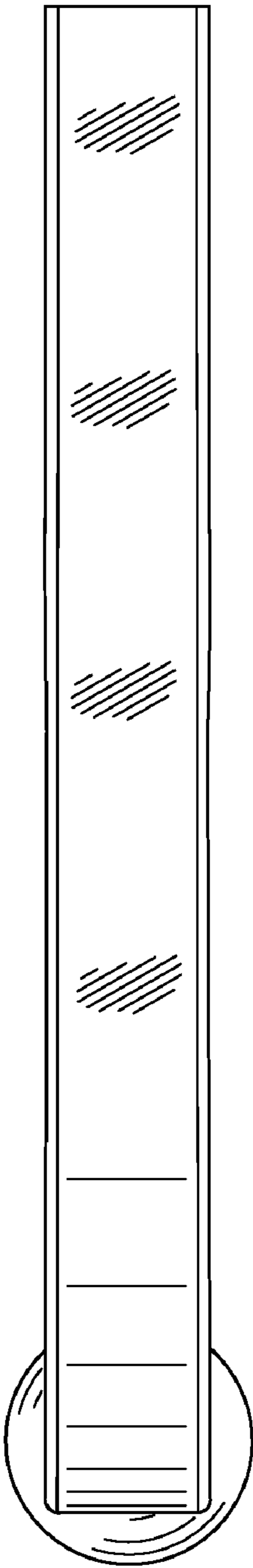


FIG. 6