



US00D610492S

(12) **United States Design Patent**
Tambornino

(10) **Patent No.:** **US D610,492 S**

(45) **Date of Patent:** **** Feb. 23, 2010**

(54) **ANGLED BALL HITCH**

2004/0100066 A1 5/2004 Andersen
2008/0036179 A1* 2/2008 Andersen 280/511

(75) Inventor: **Curt Tambornino**, Altoona, WI (US)

(73) Assignee: **Curt Manufacturing, Inc.**, Eau Claire, WI (US)

(**) Term: **14 Years**

(21) Appl. No.: **29/335,947**

(22) Filed: **Apr. 24, 2009**

(51) **LOC (9) Cl.** **12-16**

(52) **U.S. Cl.** **D12/162**

(58) **Field of Classification Search** D12/161,
D12/162, 400; 280/186, 402-404, 405.1-405.2,
280/407-407.1, 415.1, 416.1, 416.2, 416.3,
280/477, 479.2, 482-483, 485-486, 490.1,
280/491.1, 491.2, 491.3, 491.5, 493-495,
280/498-499, 507, 509, 511-513; 224/500-537
See application file for complete search history.

(56) **References Cited**

U.S. PATENT DOCUMENTS

D158,372 S *	5/1950	Gee	D12/162
5,730,456 A	3/1998	Bowers		
5,735,539 A	4/1998	Kravitz		
6,203,048 B1	3/2001	Adair		
6,241,271 B1 *	6/2001	Belinky	280/511
6,481,258 B1 *	11/2002	Belinky	72/324
D466,844 S	12/2002	Billings		
D469,723 S	2/2003	McCoy		
6,536,794 B2	3/2003	Hancock et al.		
6,581,953 B2	6/2003	Jerry		
6,709,002 B2	3/2004	Tambornino		
6,746,038 B2	6/2004	McCoy et al.		
D519,065 S	4/2006	Tambornino		

OTHER PUBLICATIONS

Towing Services UK, Brink Towbar Products, <http://www.brinktowbars.co.uk/new/towbars.htm>.
BrinkMatic Mirage Manual, 2002/1.
<http://tdiparts.com/catalog/images/parts/b55bosalAK6.jpg>.
BrinkMatic Advance User Manual, Brink International 2004.

* cited by examiner

Primary Examiner—T. Chase Nelson

Assistant Examiner—Kathleen M Sims

(74) *Attorney, Agent, or Firm*—Shewchuk IP Services, LLC; Jeffrey D. Shewchuk

(57) **CLAIM**

The ornamental design for an angled ball hitch, as shown and described.

DESCRIPTION

FIG. 1 is a top perspective view of an angled ball hitch showing my new design.

FIG. 2 is a left side view showing the angled ball hitch of FIG. 1.

FIG. 3 is top view of the angled ball hitch of FIGS. 1-2.

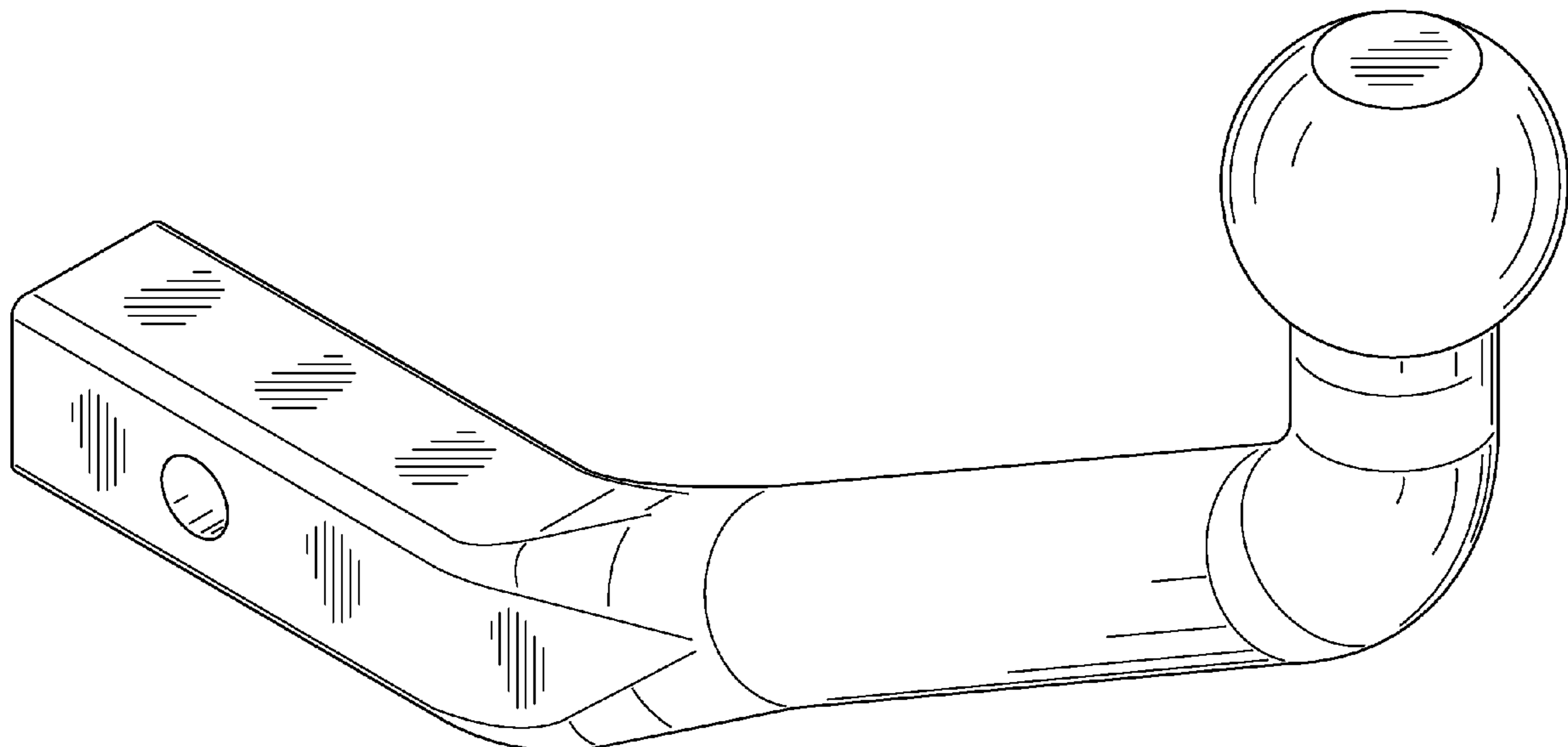
FIG. 4 is a rear view of the angled ball hitch of FIGS. 1-3.

FIG. 5 is a right side view of the angled ball hitch of FIGS. 1-4.

FIG. 6 is a bottom view of the angled ball hitch of FIGS. 1-5; and,

FIG. 7 is a front view of the angled ball hitch of FIGS. 1-6.

1 Claim, 3 Drawing Sheets



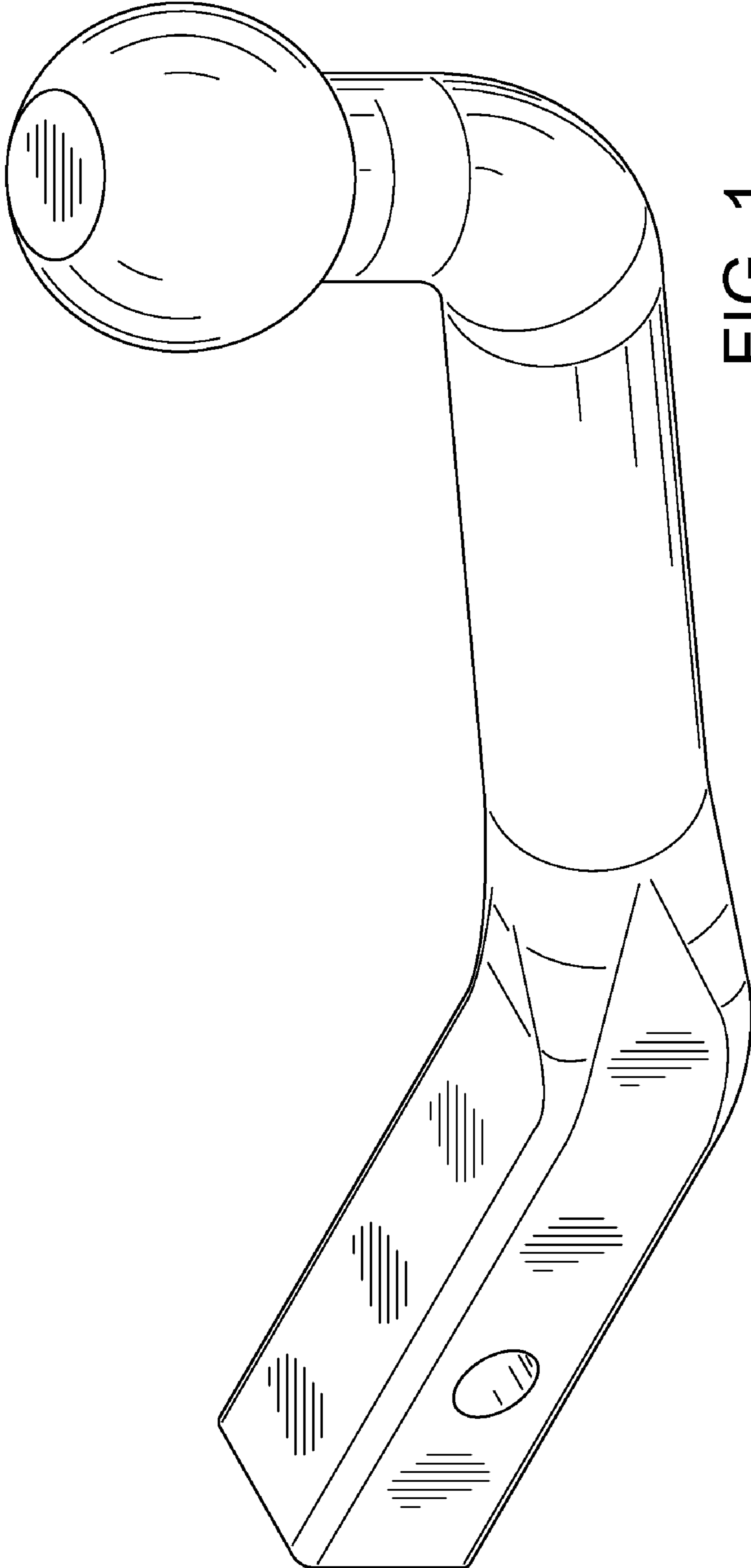


FIG. 1

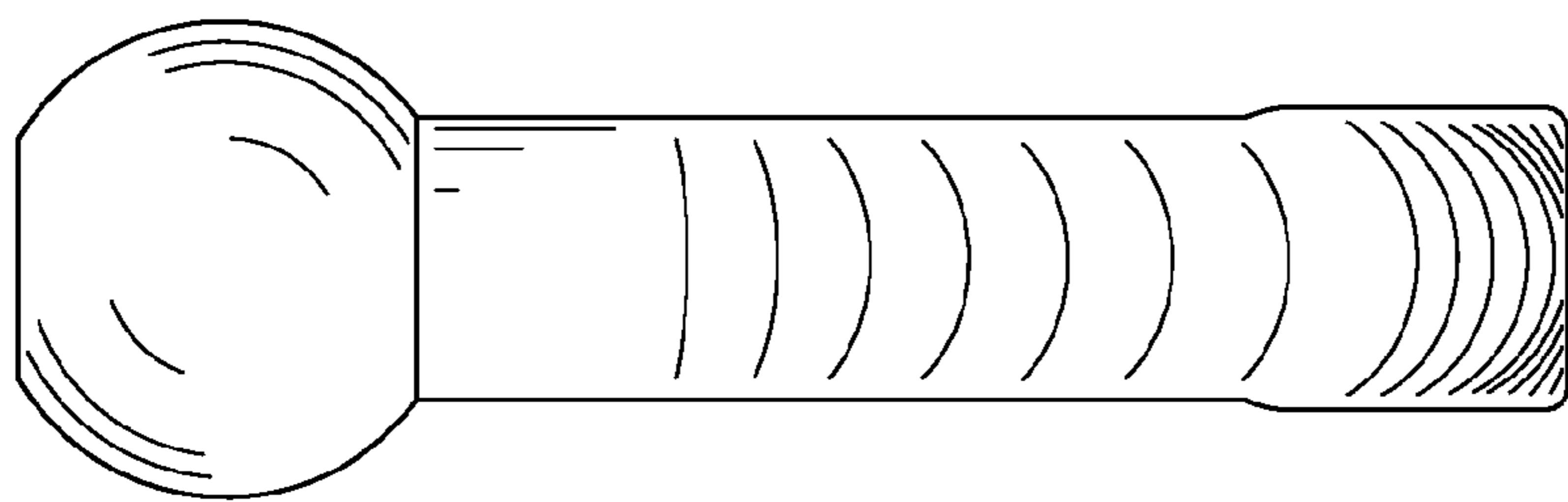


FIG. 4

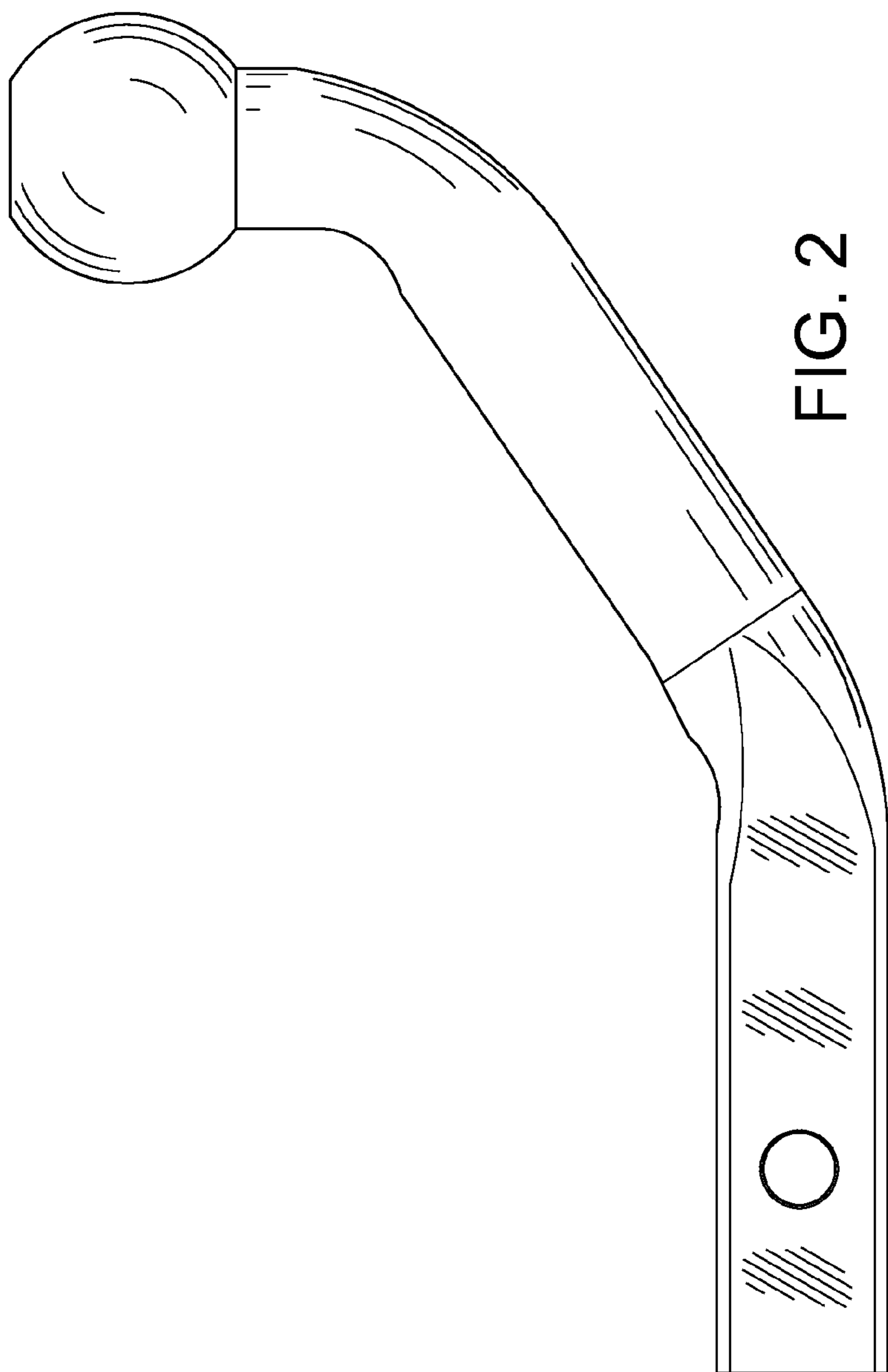


FIG. 2

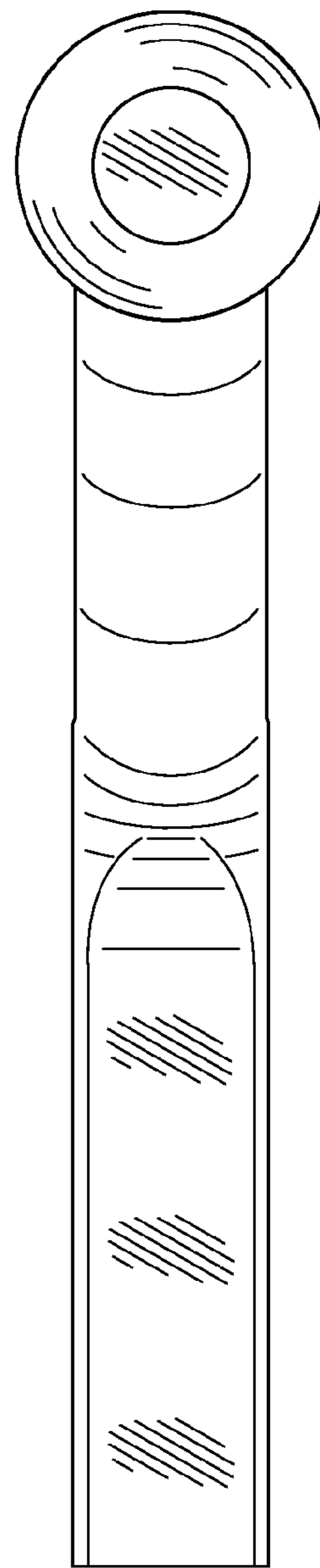


FIG. 3

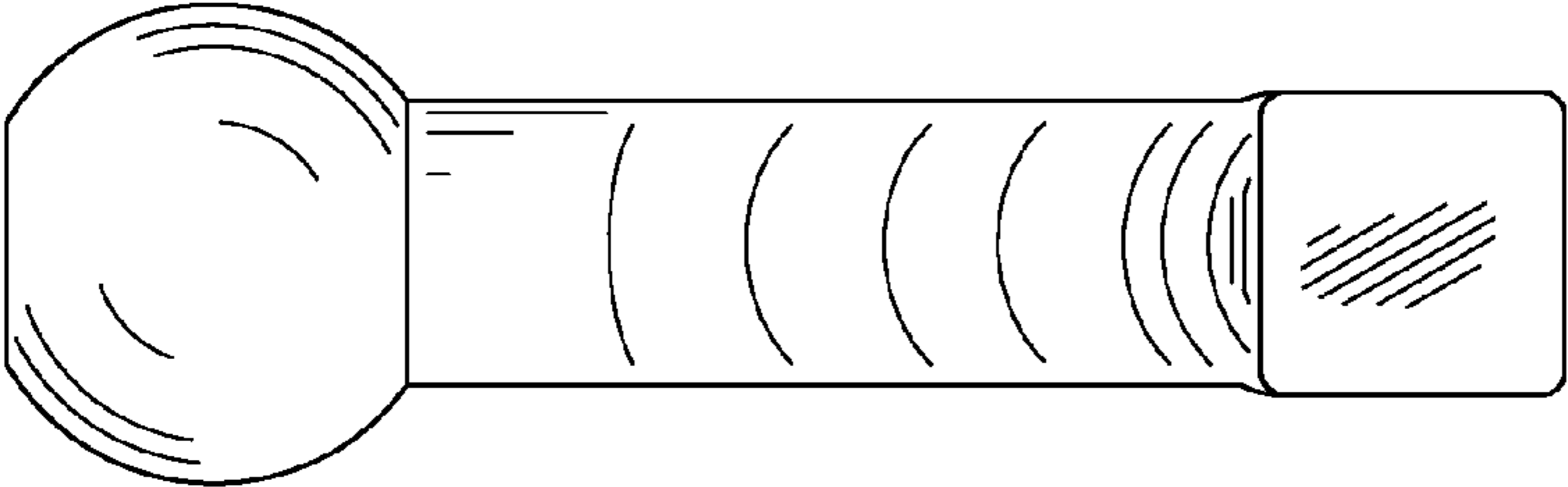


FIG. 7

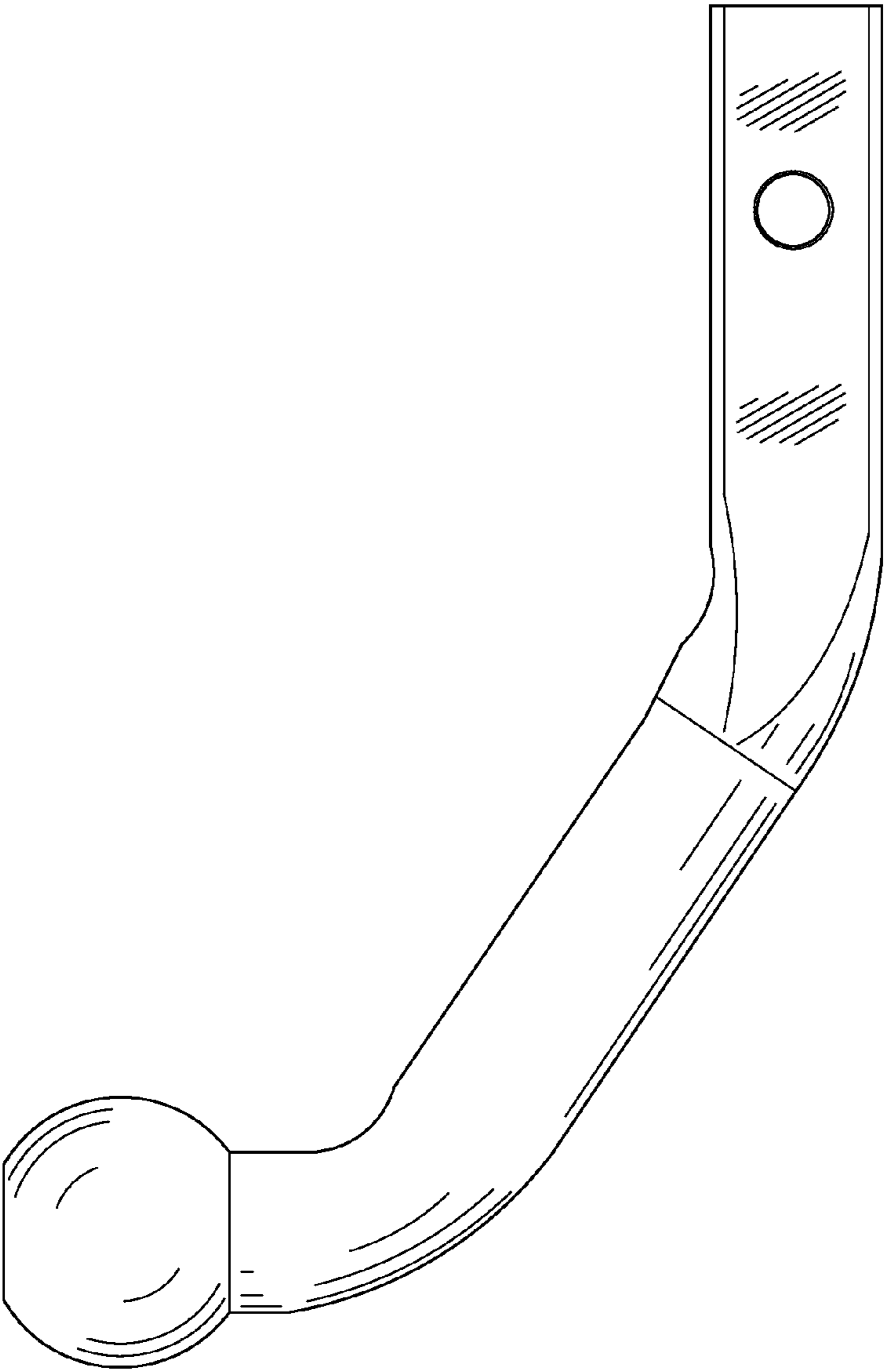


FIG. 5

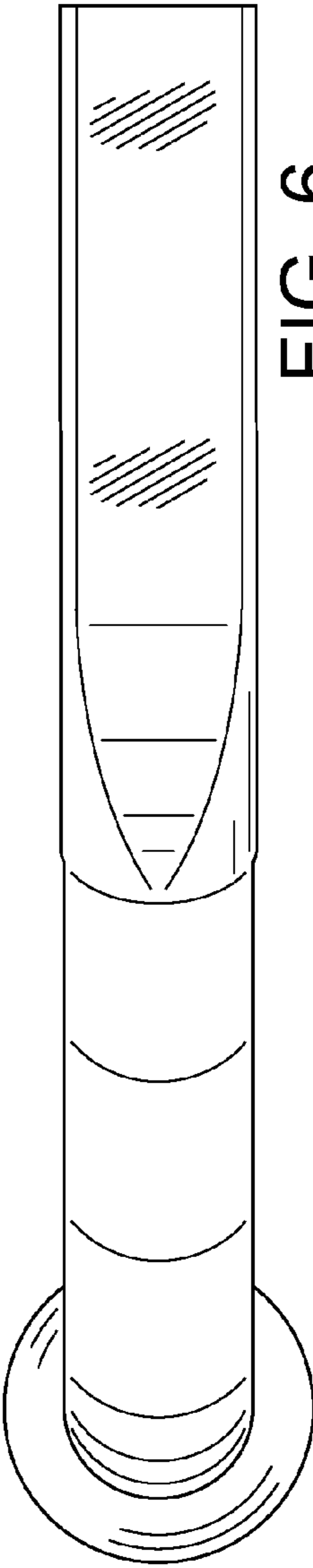


FIG. 6