



US00D610491S

(12) **United States Design Patent**
Singleton et al.

(10) **Patent No.:** **US D610,491 S**

(45) **Date of Patent:** **** Feb. 23, 2010**

(54) **TRANSPORT PAD**

(76) Inventors: **George Singleton**, 12 Riggs Pl., South Orange, NJ (US) 07079; **Denise Singleton**, 12 Riggs Pl., South Orange, NJ (US) 07079

(**) Term: **14 Years**

(21) Appl. No.: **29/312,182**

(22) Filed: **Oct. 6, 2008**

(51) **LOC (9) Cl.** **12-12**

(52) **U.S. Cl.** **D12/128; D34/28**

(58) **Field of Classification Search** D12/128-133;
D34/28, 35, 37; 280/62, 647-650, 29, 200,
280/47.38, 250.1, 259, 642, 658; 297/DIG. 4;
296/65.03, 65.04; 224/409; D3/5, 7, 10,
D3/11, 17

See application file for complete search history.

(56) **References Cited**

U.S. PATENT DOCUMENTS

4,723,327 A * 2/1988 Smith 5/89.1
4,742,588 A * 5/1988 James 5/83.1
D306,148 S * 2/1990 Dannals et al. D12/128
D329,216 S * 9/1992 Beeley et al. D12/128
D332,930 S * 2/1993 Clark et al. D12/128
5,190,056 A * 3/1993 Hull 5/621

D346,346 S * 4/1994 Johnson et al. D12/128
5,333,335 A * 8/1994 Gastle et al. 5/625
D394,929 S * 6/1998 Ahumada D34/1
D486,287 S * 2/2004 Liljedahl D34/28
D488,107 S * 4/2004 Saunier D12/128
D506,710 S * 6/2005 Hurtado D12/133
2006/0162137 A1 * 7/2006 Hjort 24/598.4

* cited by examiner

Primary Examiner—Charles A Rademaker

Assistant Examiner—Charles D Hanson

(57) **CLAIM**

The ornamental design for a transport pad, as shown and described.

DESCRIPTION

FIG. 1 is a perspective view of a transport pad showing my new design;

FIG. 2 is a top plan view thereof;

FIG. 3 is a bottom plan view thereof;

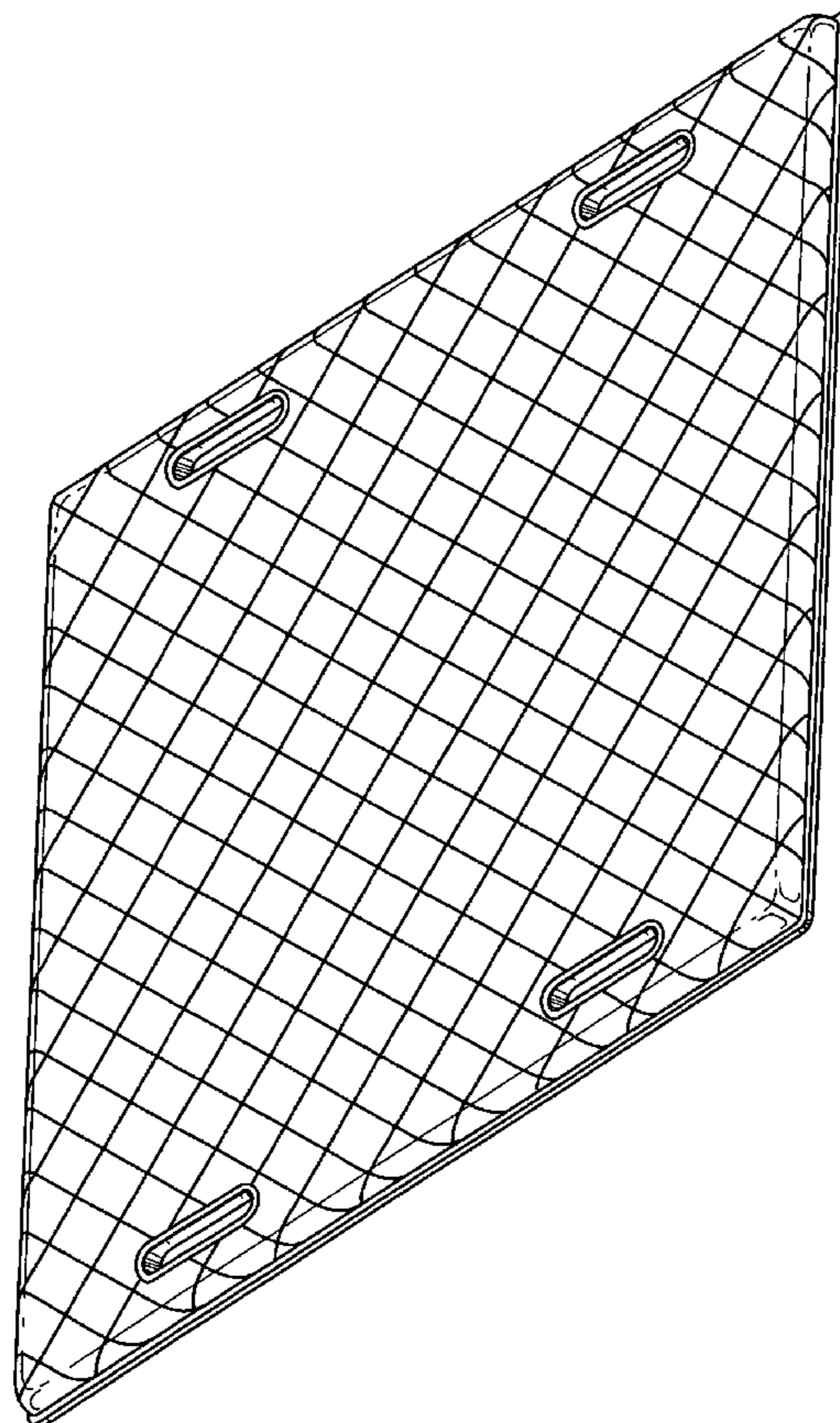
FIG. 4 is a left side elevational thereof;

FIG. 5 is a right side elevational view thereof;

FIG. 6 is a front elevational view thereof; and,

FIG. 7 is a rear elevational view thereof.

1 Claim, 4 Drawing Sheets



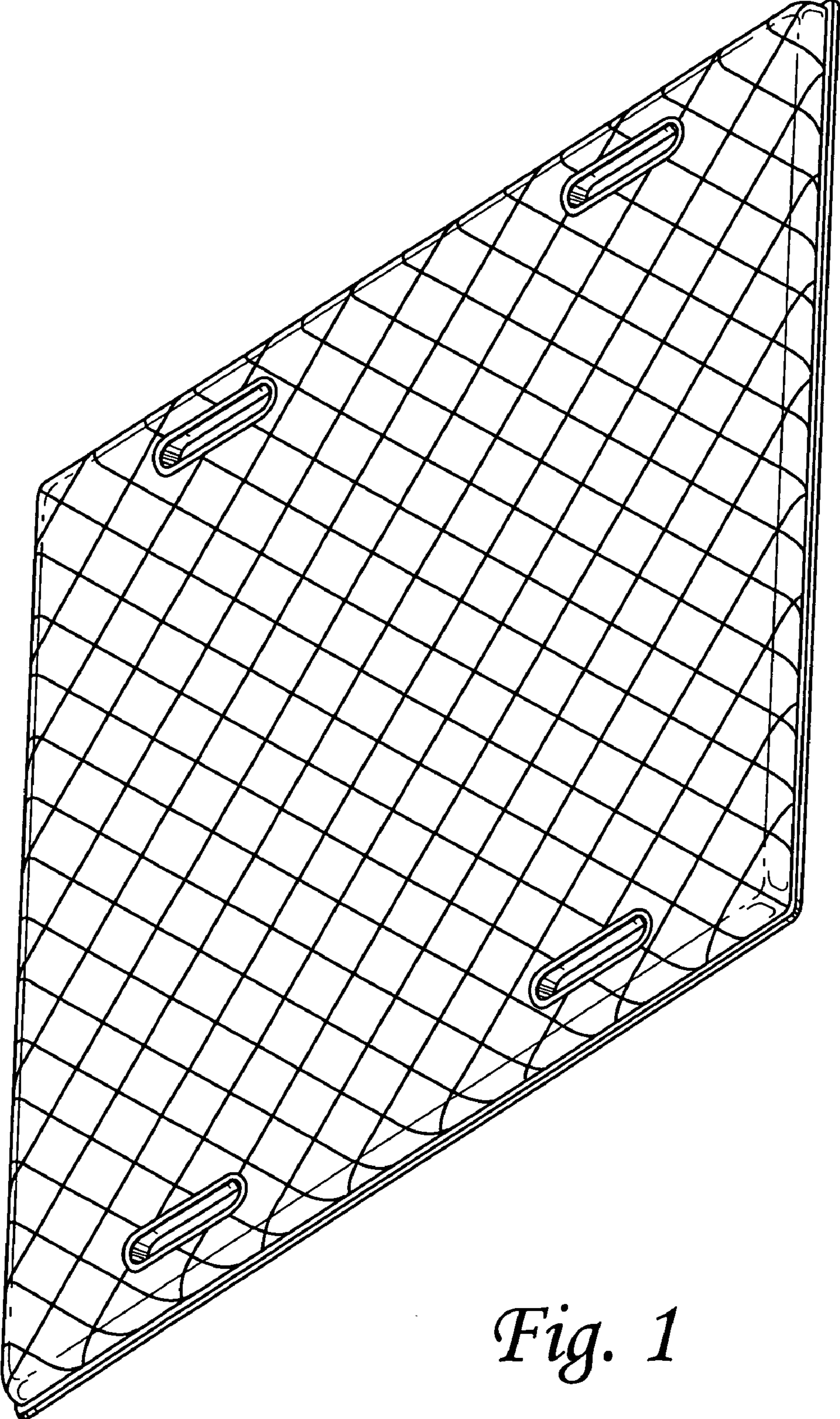


Fig. 1

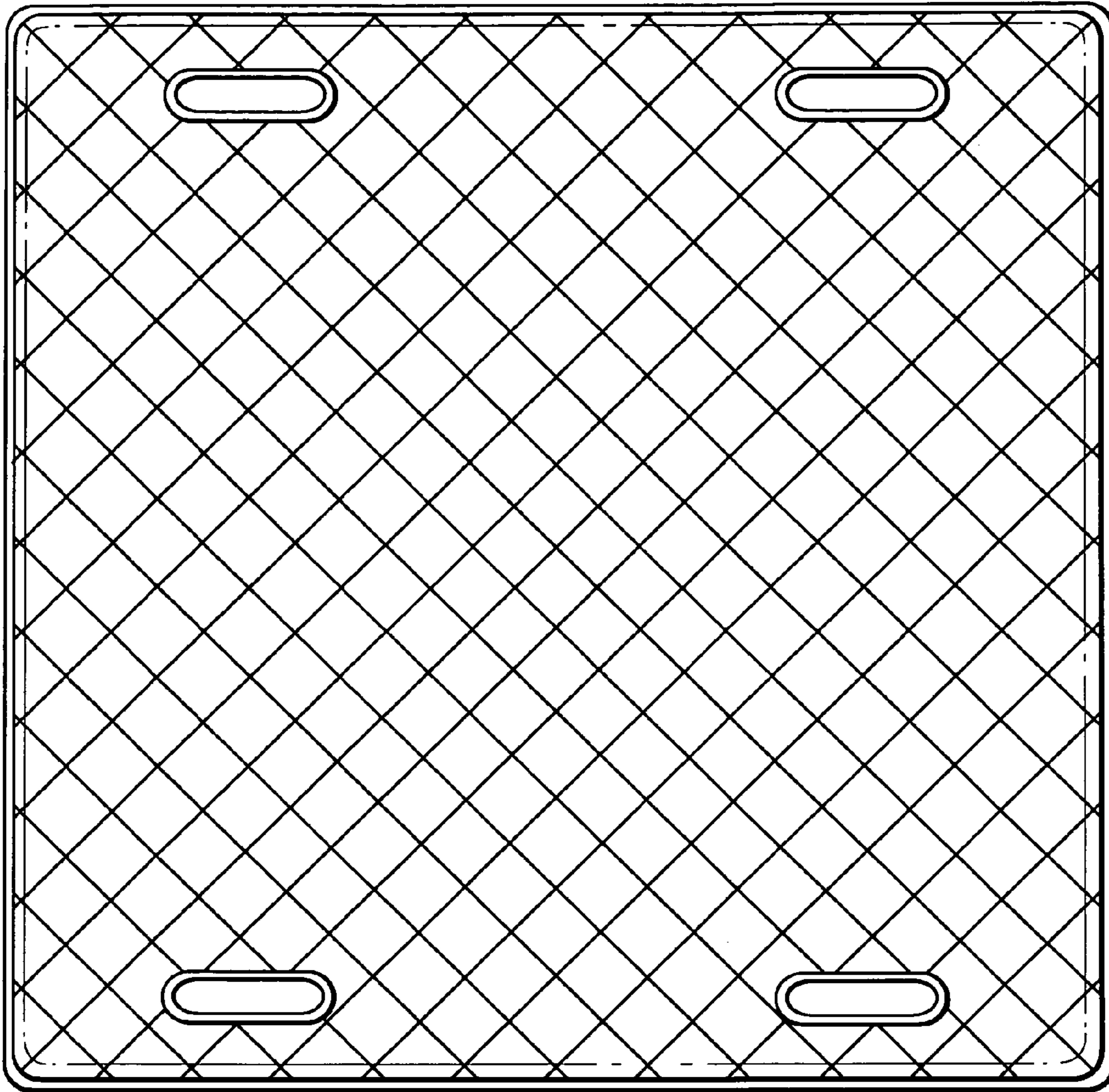


Fig. 2

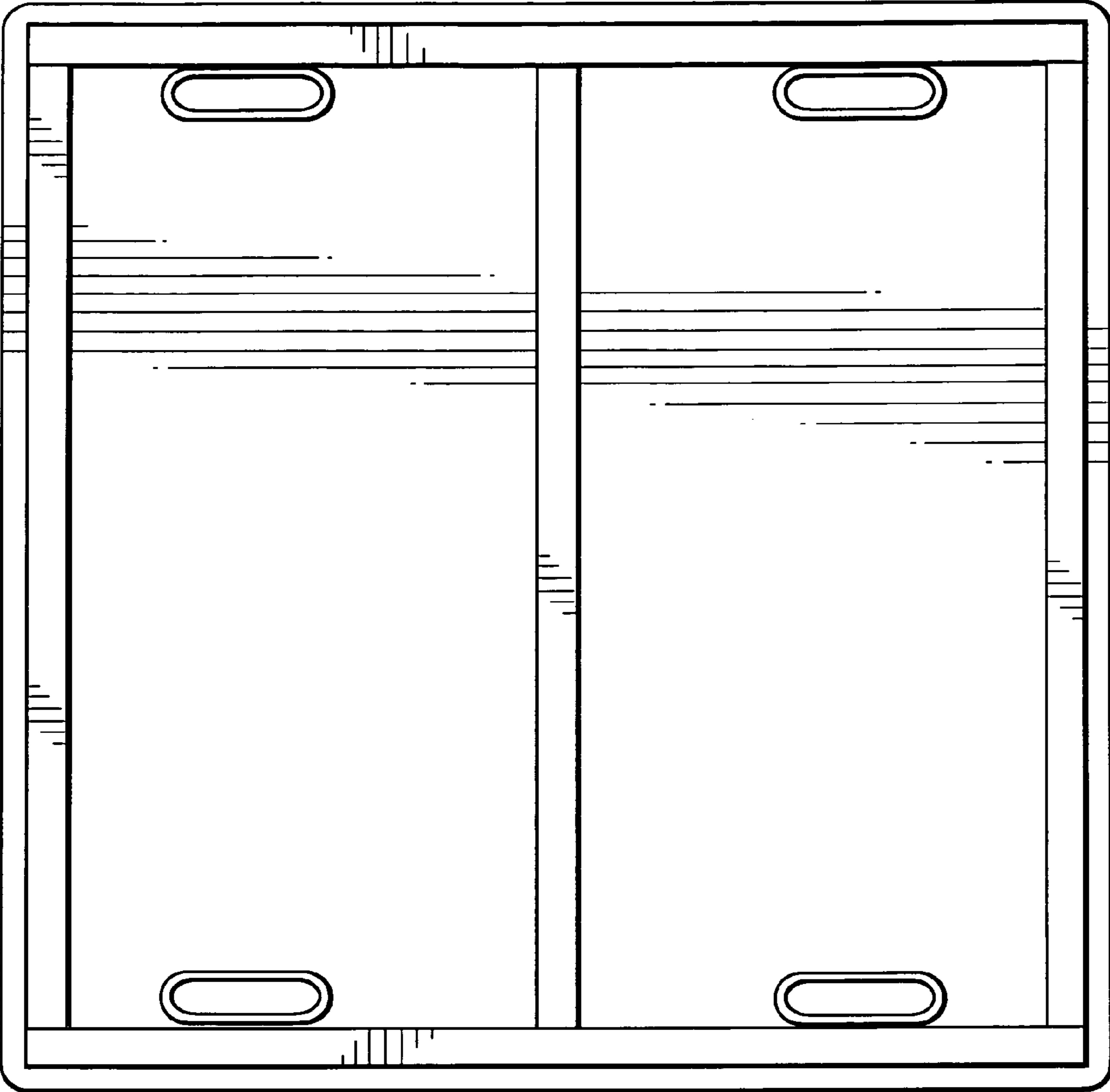


Fig. 3



Fig. 4



Fig. 5



Fig. 6



Fig. 7