



US00D610486S

(12) **United States Design Patent**
Yoshie et al.

(10) **Patent No.:** **US D610,486 S**
(45) **Date of Patent:** **** Feb. 23, 2010**

(54) **PULL TAB OF SLIDER FOR SLIDE FASTENER**

D303,361 S * 9/1989 Mimami D11/221
D514,022 S * 1/2006 Wehmeyer et al. D11/221
D525,782 S * 8/2006 Lin D3/221

(75) Inventors: **Miyako Yoshie**, Kurobe (JP); **Miyuki Ohgaku**, Kurobe (JP); **Yuko Fujita**, Kurobe (JP)

* cited by examiner

Primary Examiner—R. Seifert

(74) *Attorney, Agent, or Firm*—Alston & Bird, LLP

(73) Assignee: **YKK Corporation**, Tokyo (JP)

(57) **CLAIM**

(**) Term: **14 Years**

The ornamental design for a pull tab of slider for slide fastener, as shown and described.

(21) Appl. No.: **29/334,034**

(22) Filed: **Mar. 19, 2009**

DESCRIPTION

(30) **Foreign Application Priority Data**

Nov. 5, 2008 (JP) 2008-028402

FIG. 1 is a perspective view of the front, bottom and right side of a pull tab of slider for slide fastener showing our new design;

(51) **LOC (9) Cl.** **02-07**

(52) **U.S. Cl.** **D11/221**

(58) **Field of Classification Search** D11/79-85,
D11/94-116, 200, 201, 221; 24/381-383,
24/385-387, 414-417, 421-422, 427-431,
24/433

FIG. 2 is front view thereof;

FIG. 3 is a rear view thereof;

FIG. 4 is a right side view thereof, the left side view being mirror image thereof;

FIG. 5 is a top plan view thereof;

FIG. 6 is a bottom view thereof; and,

FIG. 7 is a reference view of usage thereof.

See application file for complete search history.

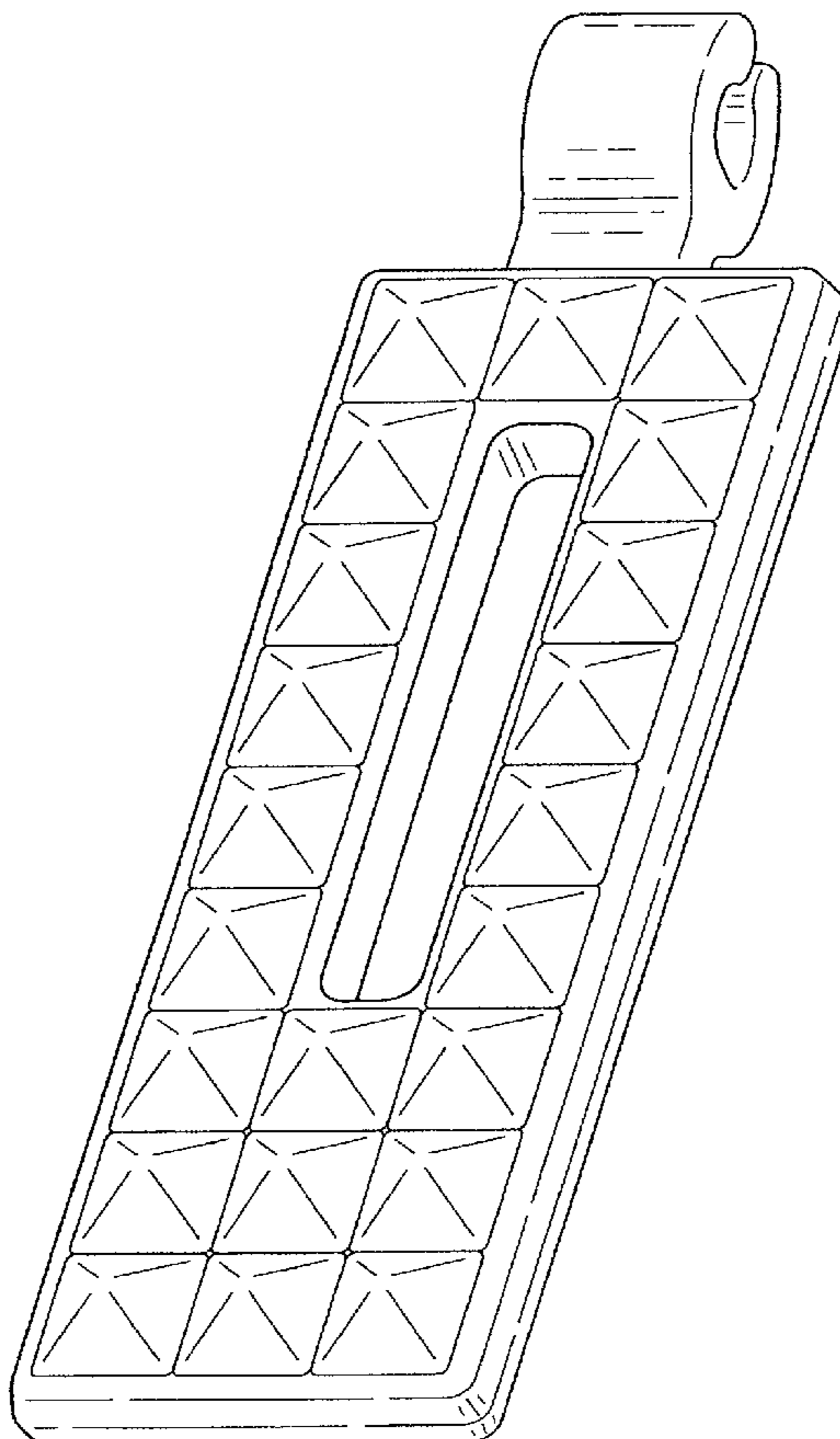
The portion of the article in broken lines are shown for illustrative purposes only and form no part of the claimed design.

(56) **References Cited**

U.S. PATENT DOCUMENTS

2,474,372 A * 6/1949 Schmith 24/578.15

1 Claim, 4 Drawing Sheets



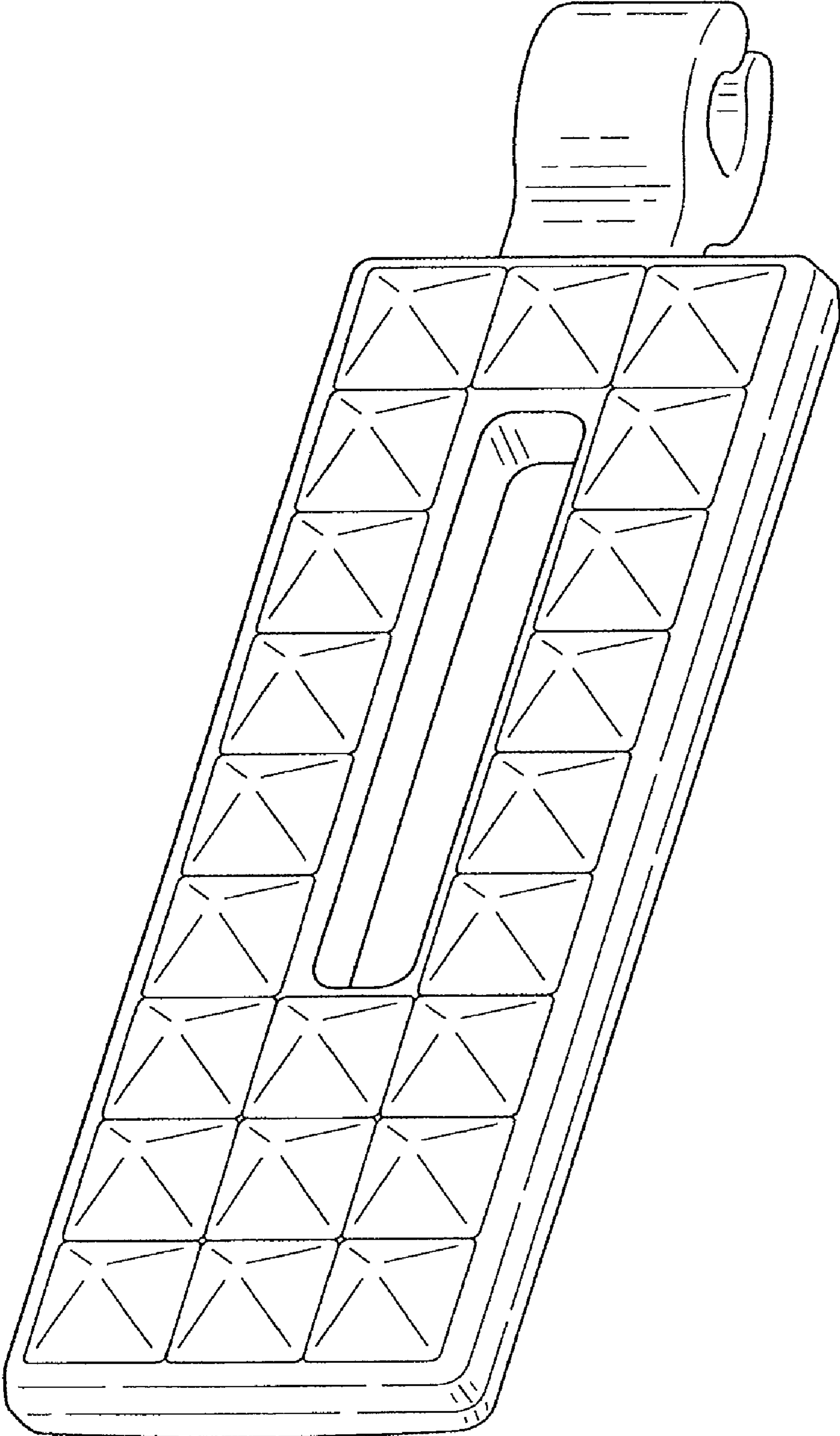


FIG. 1

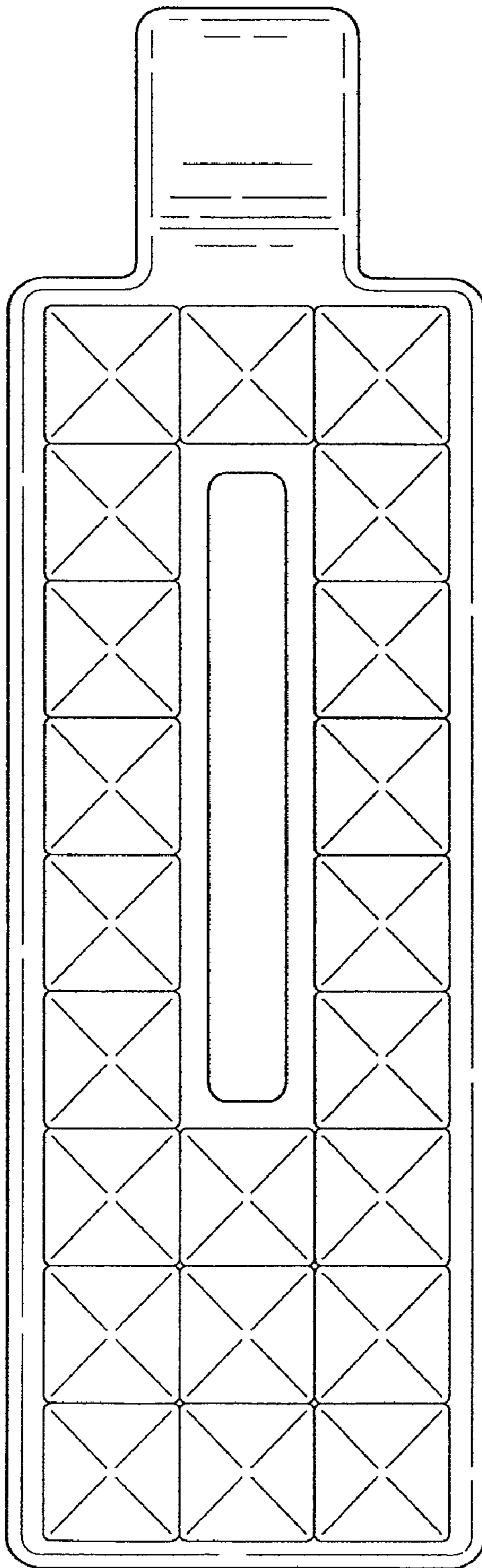


FIG. 2

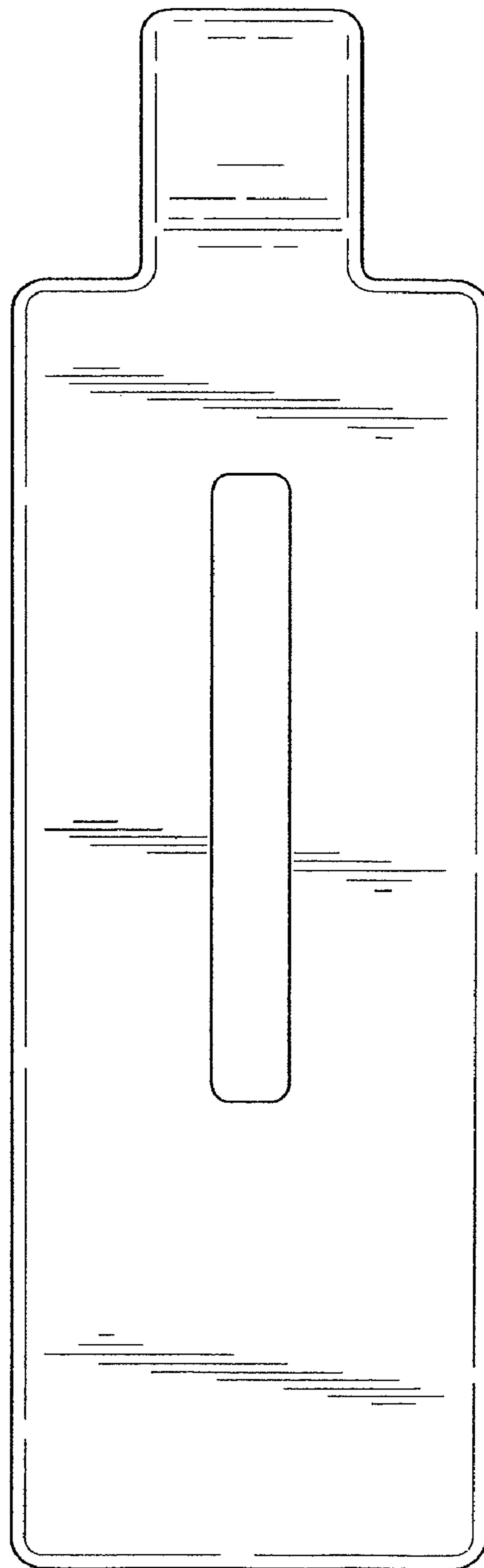


FIG. 3

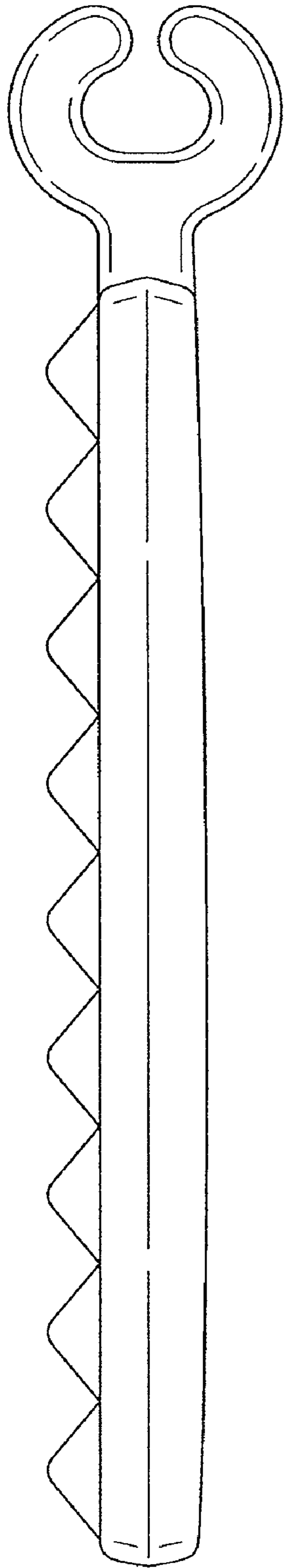


FIG. 4

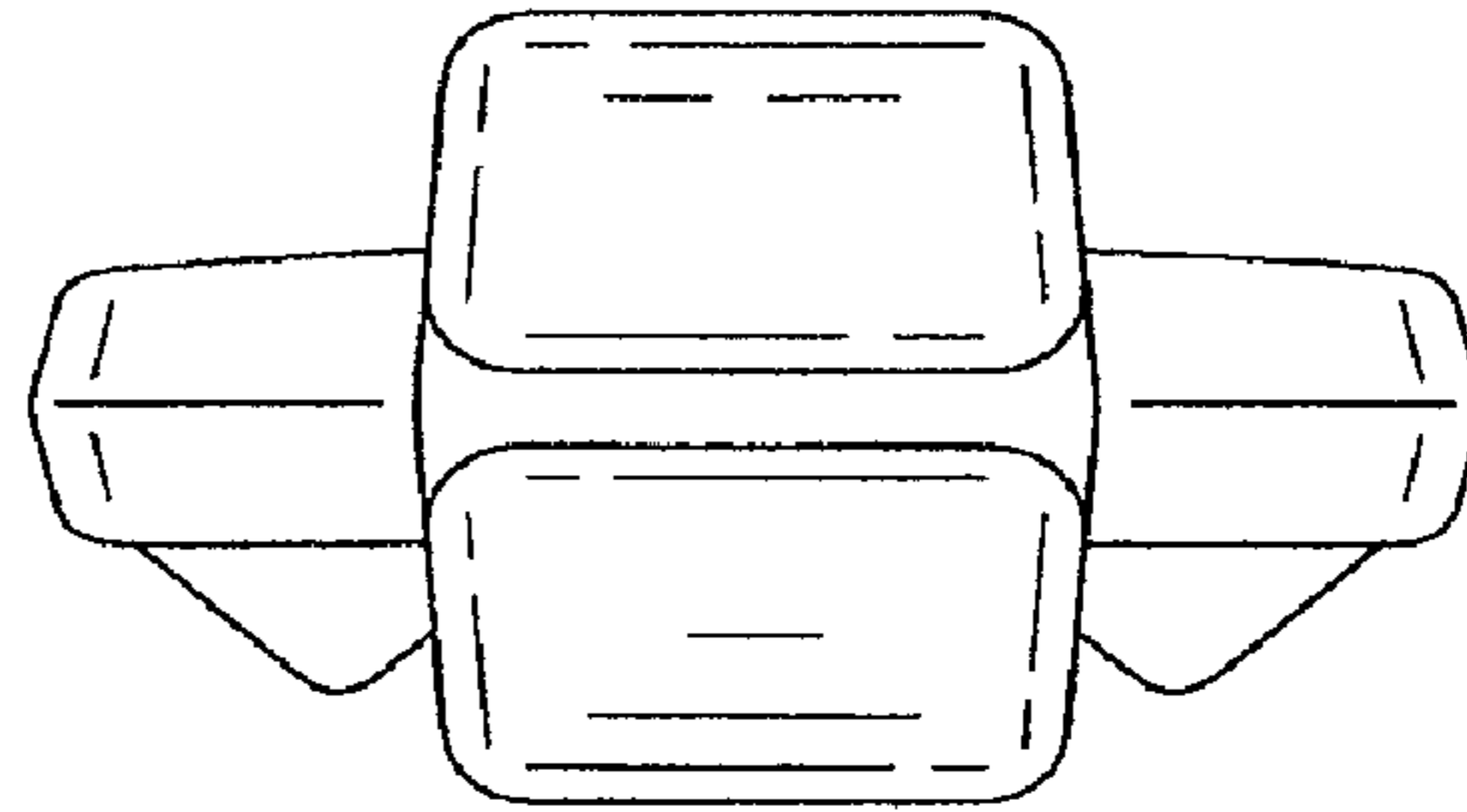


FIG. 5

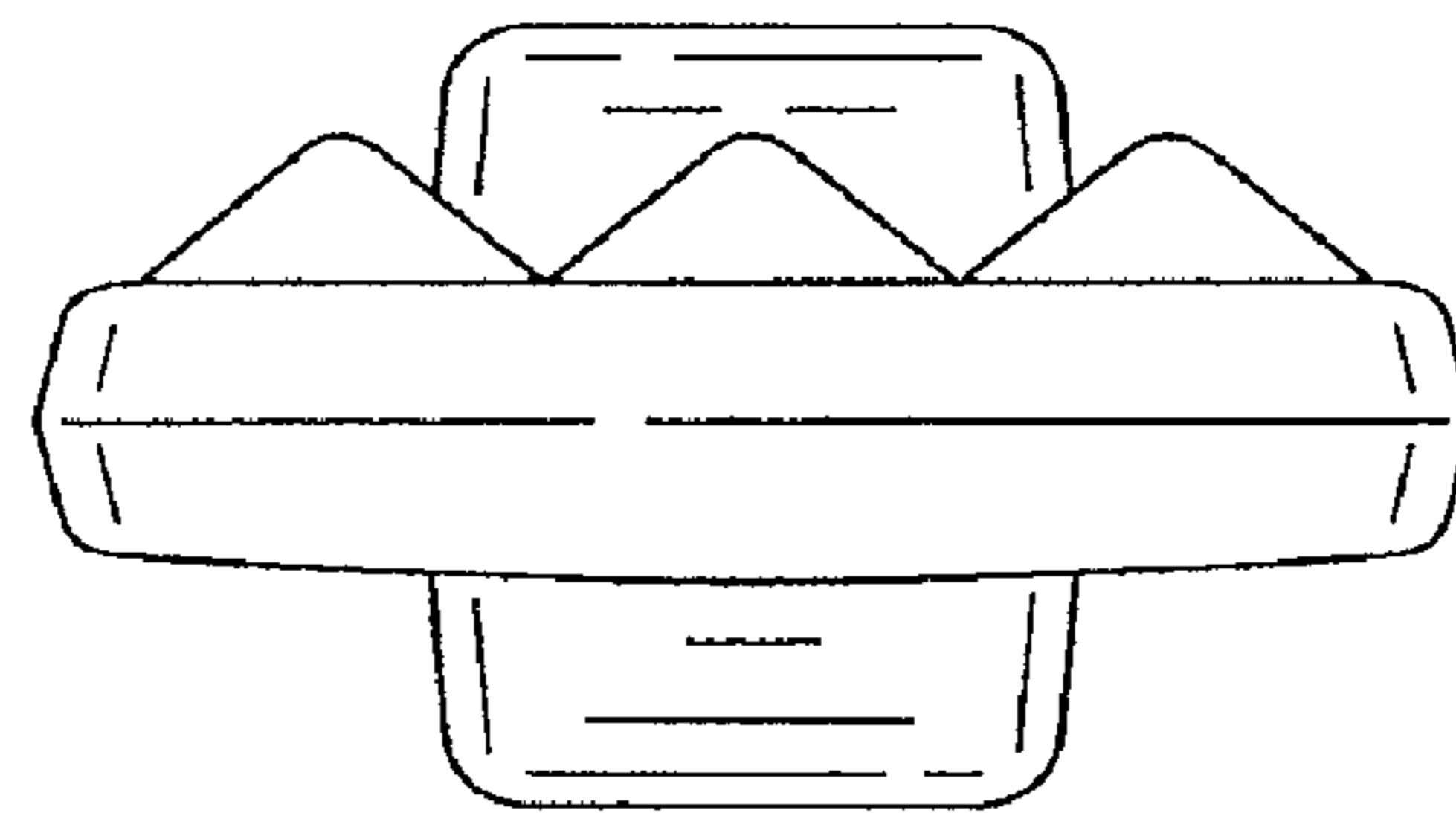


FIG. 6

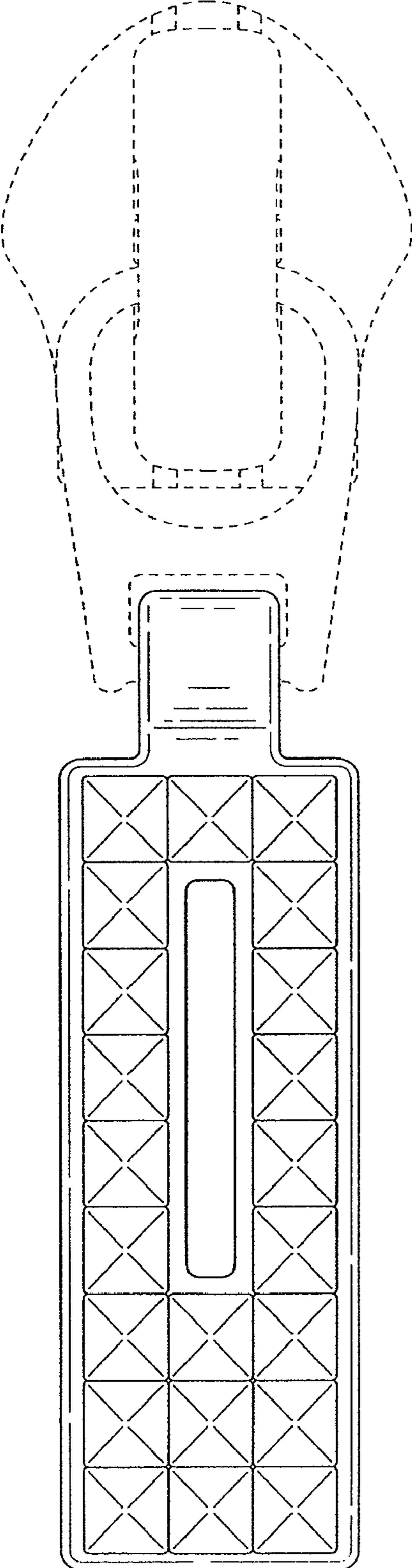


FIG. 7