



US00D610479S

(12) **United States Design Patent**
Shi

(10) **Patent No.:** **US D610,479 S**

(45) **Date of Patent:** **** Feb. 23, 2010**

(54) **ELECTRONIC ANTI-THEFT TAG**

(76) Inventor: **Jianmeng Shi**, Room 308, Jinyan Building, No. 120, Yanling Road, Tianhe District, Guangzhou City (CN)

(**) Term: **14 Years**

(21) Appl. No.: **29/343,528**

(22) Filed: **Sep. 15, 2009**

(51) **LOC (9) Cl.** **10-05**

(52) **U.S. Cl.** **D10/106**

(58) **Field of Classification Search** D10/104, D10/106; D8/333; 24/704.1; 340/10.1, 340/571, 571.1, 571.9; 40/625

See application file for complete search history.

(56) **References Cited**

U.S. PATENT DOCUMENTS

- 4,590,461 A * 5/1986 Cooper 340/572.9
- 5,031,287 A * 7/1991 Charlot et al. 24/704.1
- 5,054,172 A * 10/1991 Hogan et al. 24/704.1
- 5,095,596 A * 3/1992 Dahood 24/704.1
- 5,208,580 A * 5/1993 Crossfield 340/571
- D344,033 S * 2/1994 Davidge D10/106

- D354,924 S * 1/1995 Garner et al. D10/104
- RE35,361 E * 10/1996 Hogan et al. 24/704.1
- D410,400 S * 6/1999 Skjellerup D10/106
- D455,363 S * 4/2002 Fuss D10/106
- D494,488 S * 8/2004 Sayegh D10/104
- 7,183,917 B2 * 2/2007 Piccoli et al. 340/572.1
- 2004/0233042 A1 * 11/2004 Piccoli et al. 340/10.1
- 2006/0017574 A1 * 1/2006 Skjellerup 340/572.9

* cited by examiner

Primary Examiner—Caron Veynar

Assistant Examiner—George D Kirschbaum

(57) **CLAIM**

The ornamental design for an electronic anti-theft tag, as shown.

DESCRIPTION

FIG. 1 is a front elevational view of an electronic anti-theft tag showing my new design;

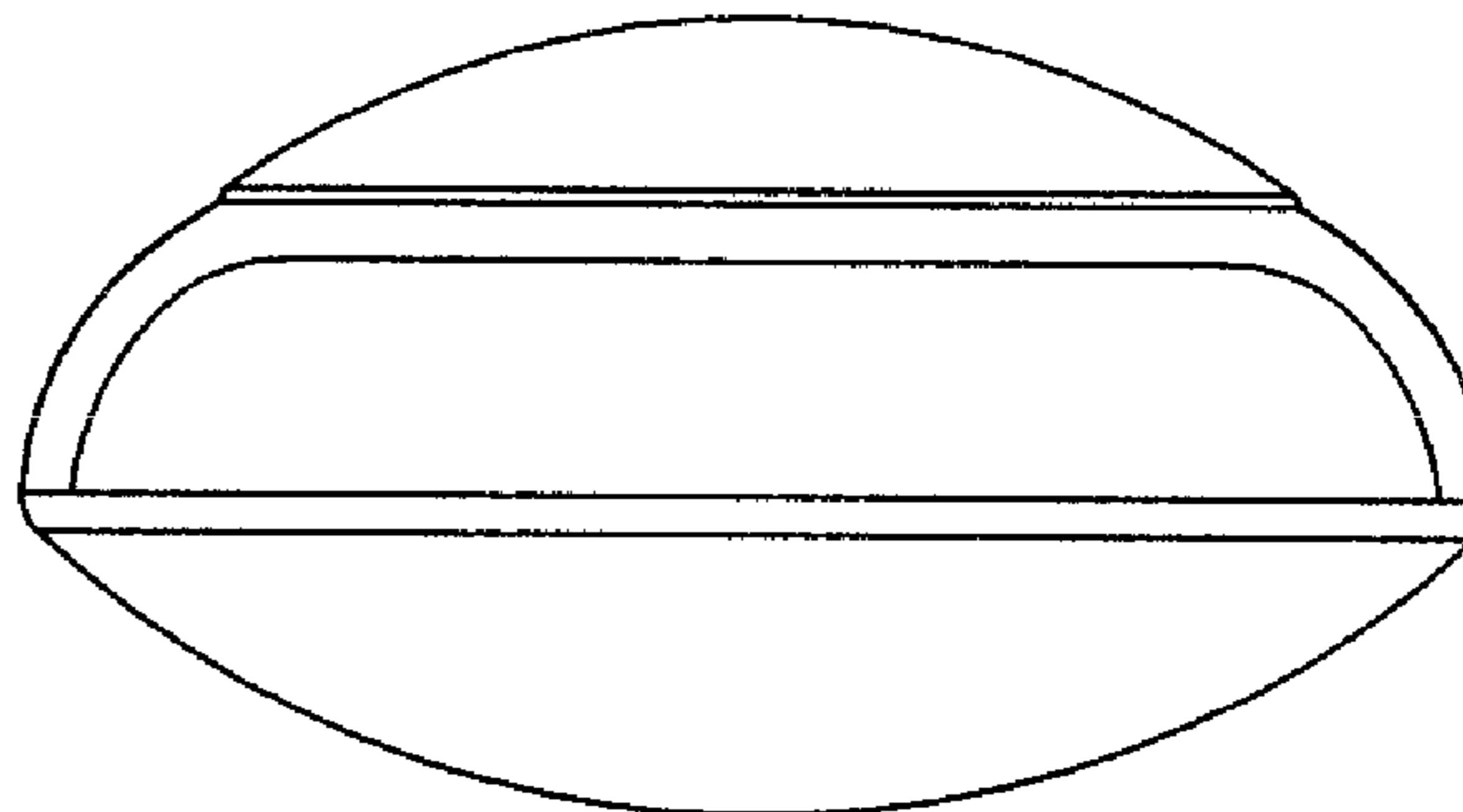
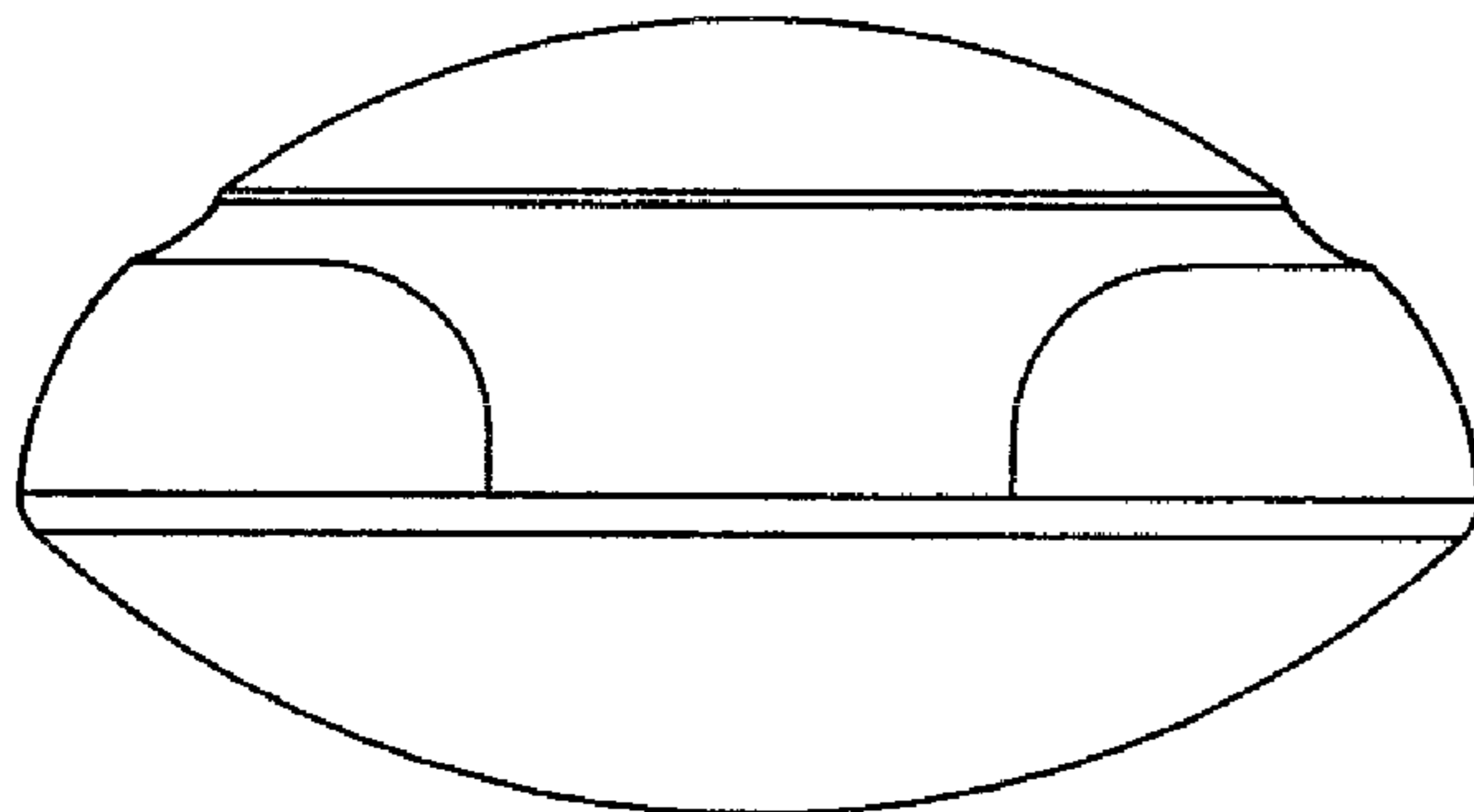
FIG. 2 is a left elevational view thereof;

FIG. 3 is a top plan view thereof;

FIG. 4 is a bottom plan view thereof; and,

FIG. 5 is a perspective view thereof.

1 Claim, 1 Drawing Sheet



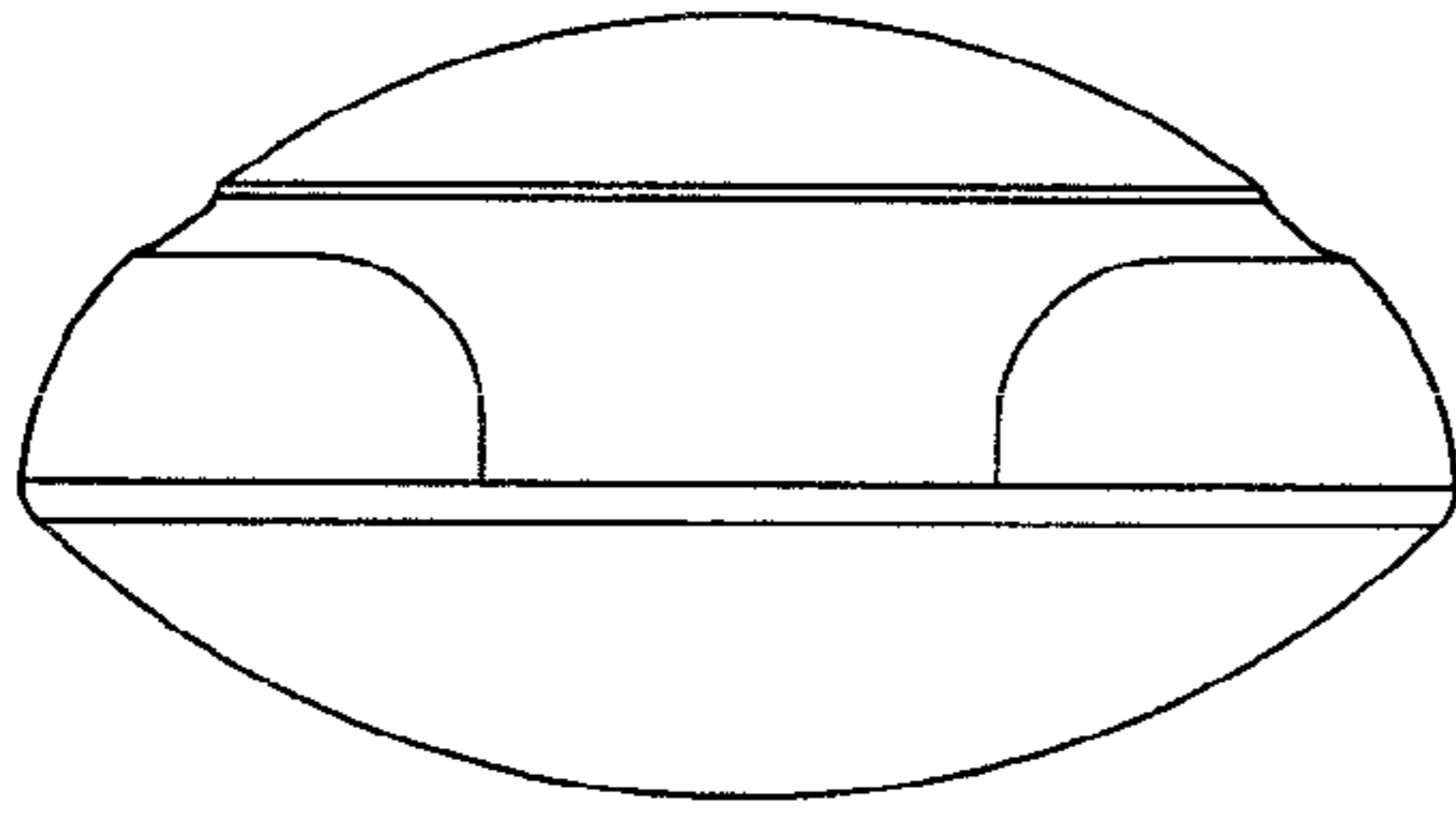


FIG. 1

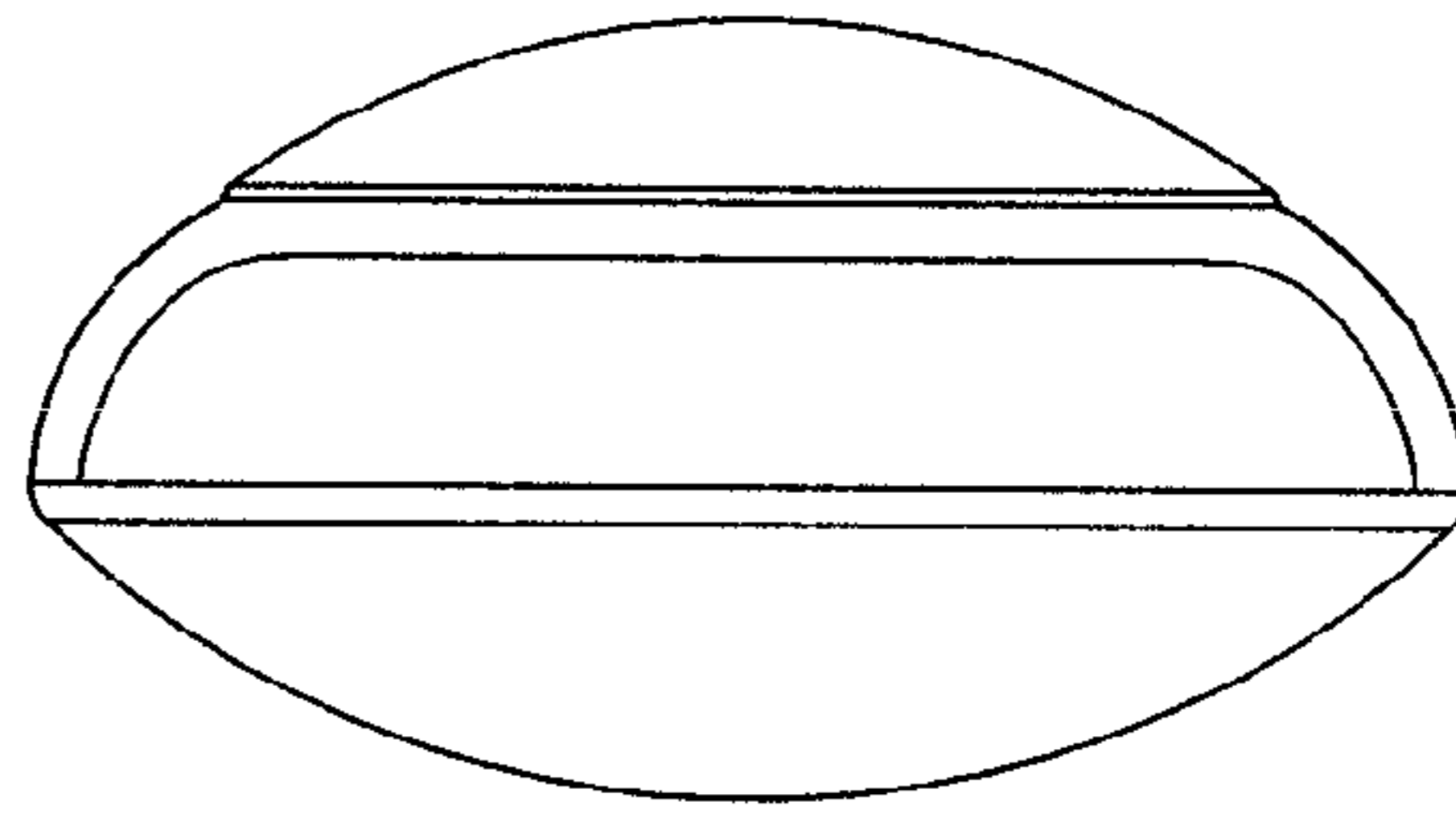


FIG. 2

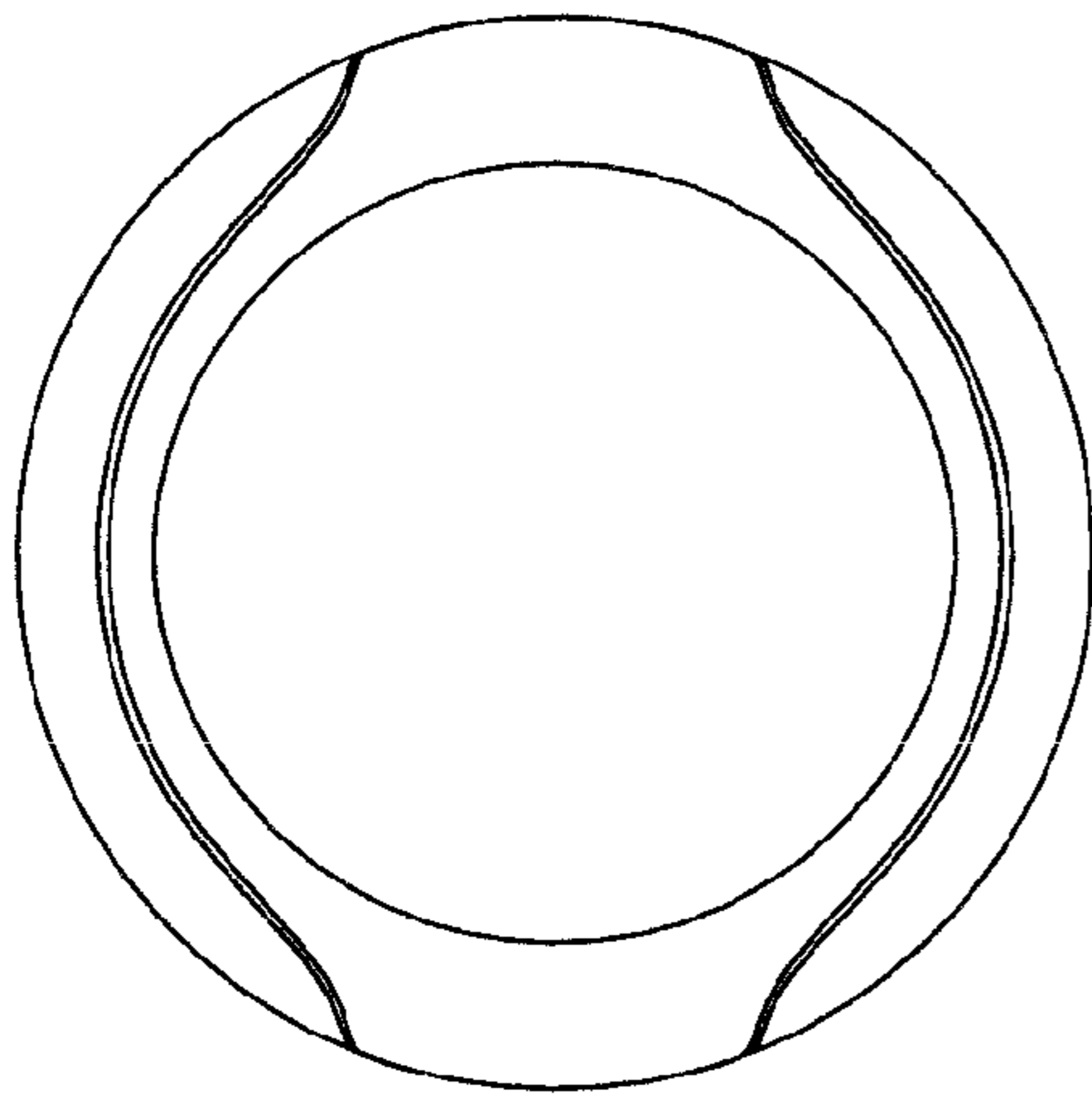


FIG. 3

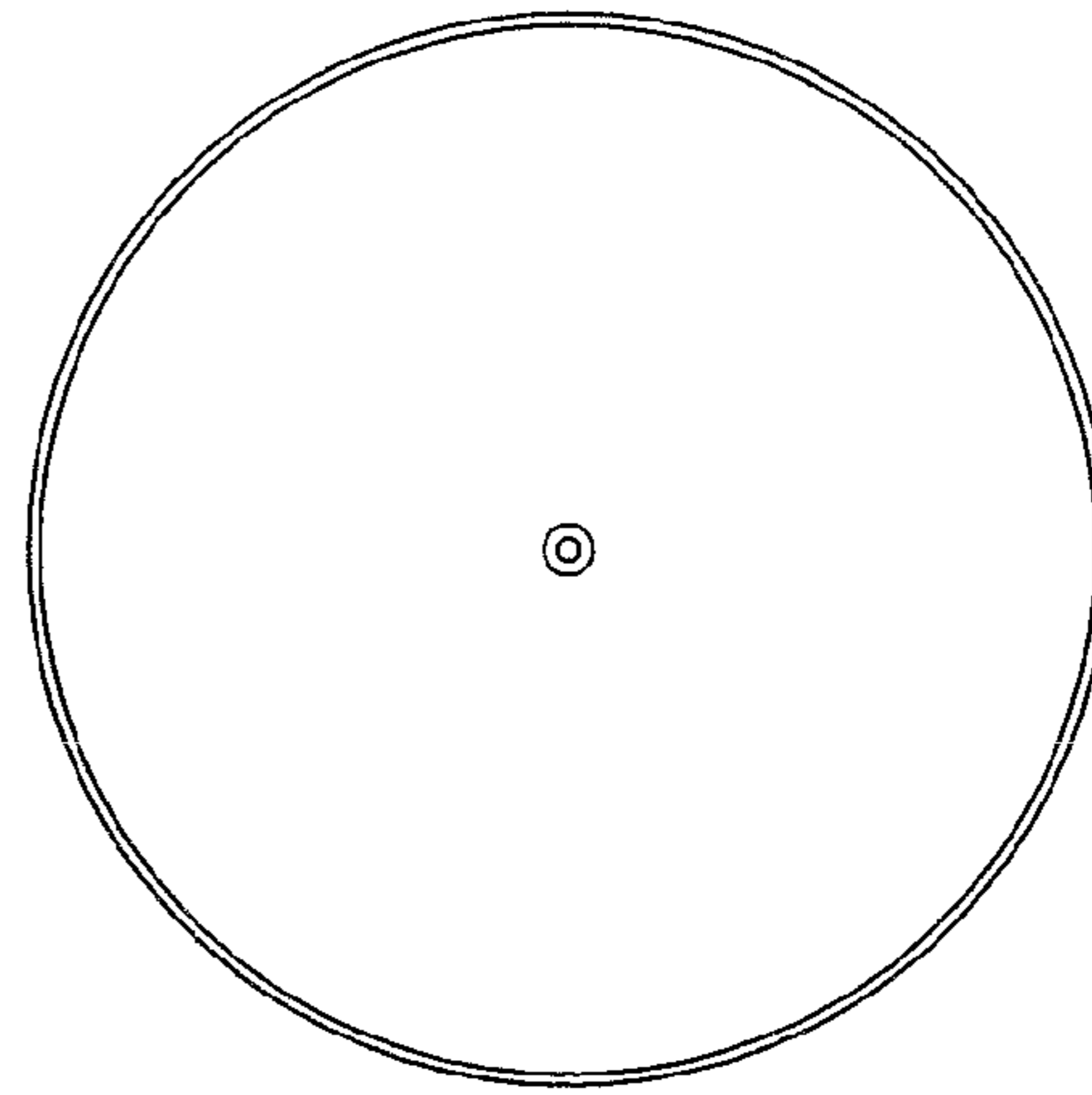


FIG. 4

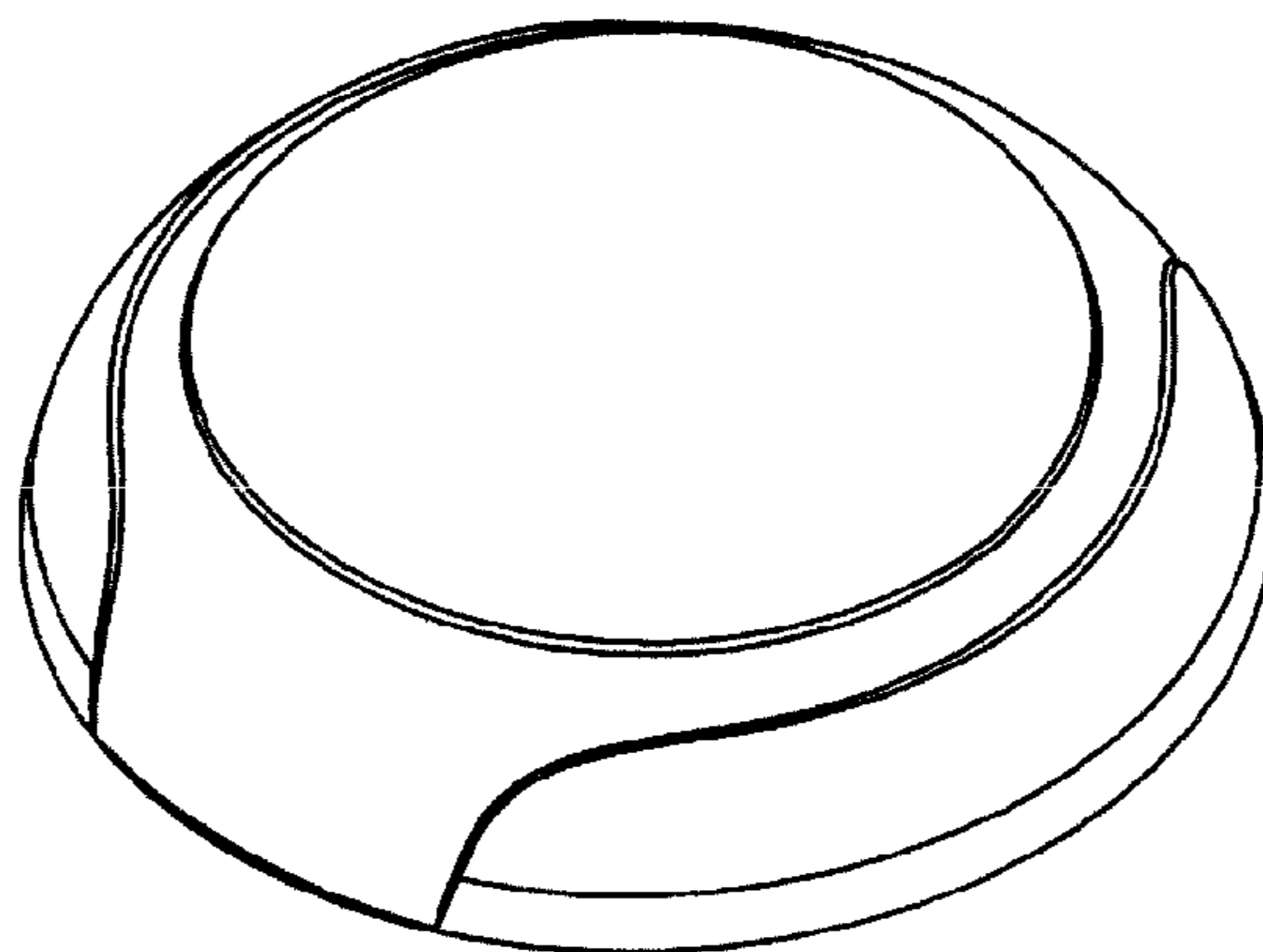


FIG. 5