



US00D610478S

(12) **United States Design Patent**
Bast

(10) **Patent No.:** **US D610,478 S**

(45) **Date of Patent:** **** Feb. 23, 2010**

(54) **HAMMER DRILLS**

(75) Inventor: **Markus Bast**, Winnenden (DE)

(73) Assignee: **AEG Electric Tools GmbH**, Winnenden (DE)

(**) Term: **14 Years**

(21) Appl. No.: **29/326,385**

(22) Filed: **Oct. 16, 2008**

(30) **Foreign Application Priority Data**

May 29, 2008 (EM) 000948229

(51) **LOC (9) Cl.** **08-05**

(52) **U.S. Cl.** **D10/69**

(58) **Field of Classification Search** D8/61-70;
81/57.11, 429, 454-456, 469, 489; 173/13,
173/104, 114, 167-173, 178, 201, 211, 213,
173/217, 198; 227/8, 113, 114, 120, 130,
227/136, 142; 310/50; 408/20, 124, 125,
408/234, 241 R, 58, 67; 451/358

See application file for complete search history.

(56) **References Cited**

U.S. PATENT DOCUMENTS

D524,626 S * 7/2006 Stirn D8/69
D535,861 S * 1/2007 Snowball D8/69
D587,547 S * 3/2009 Aglassinger D8/69
D594,304 S * 6/2009 Aglassinger D8/69

* cited by examiner

Primary Examiner—Antoine D Davis

(74) *Attorney, Agent, or Firm*—Knobbe, Martens, Olson & Bear, LLP

(57) **CLAIM**

The ornamental design for the hammer drill, as shown and described.

DESCRIPTION

FIG. 1 is a rear view of a hammer drill that is arranged and configured in accordance with a preferred embodiment;

FIG. 2 is a top, front and right side perspective view of the hammer drill of FIG. 1;

FIG. 3 is a right side view of the hammer drill of FIG. 1;

FIG. 4 is a front view of the hammer drill of FIG. 1;

FIG. 5 is a bottom view of the hammer drill of FIG. 1;

FIG. 6 is a left side view of the hammer drill of FIG. 1;

FIG. 7 is a top view of the hammer drill of FIG. 1;

FIG. 8 is a rear view of a hammer drill that is arranged and configured in accordance with another preferred embodiment;

FIG. 9 is a top, front and right side perspective view of the hammer drill of FIG. 8;

FIG. 10 is a right side view of the hammer drill of FIG. 8;

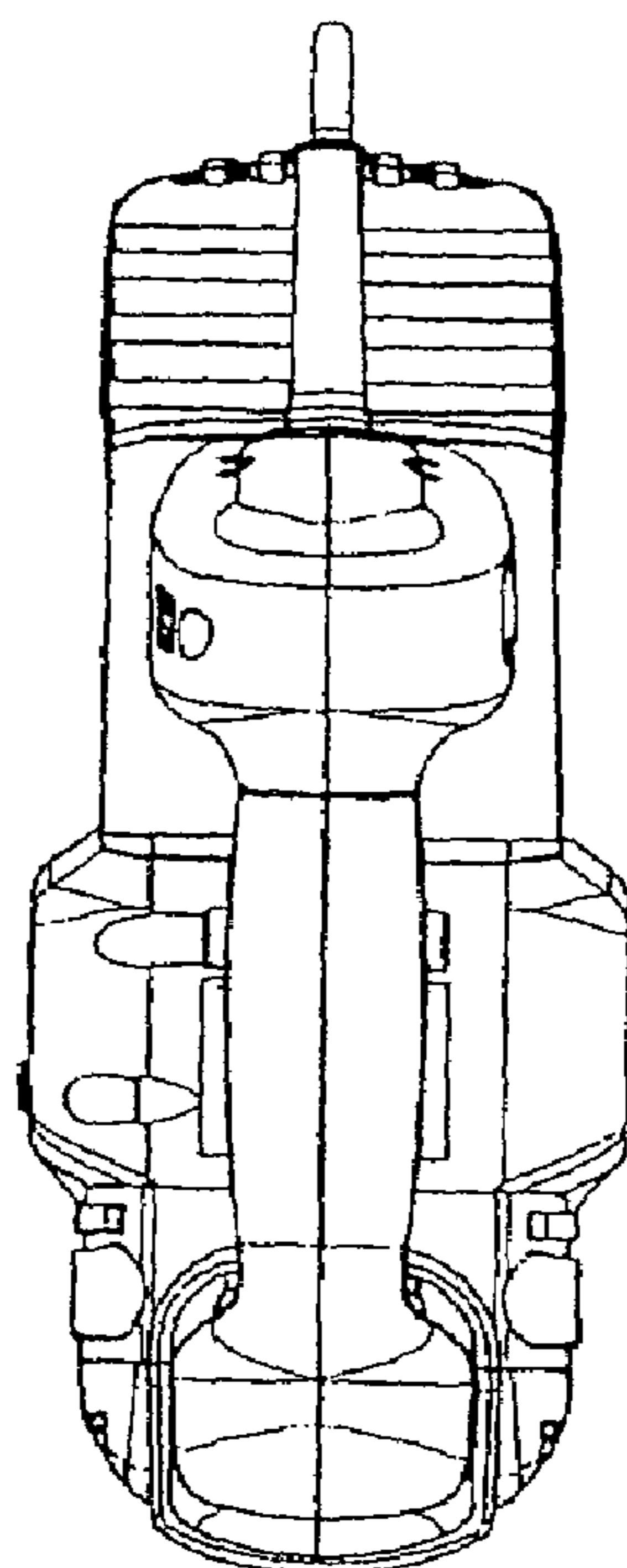
FIG. 11 is a front view of the hammer drill of FIG. 8;

FIG. 12 is a bottom view of the hammer drill of FIG. 8;

FIG. 13 is a left side view of the hammer drill of FIG. 8; and,

FIG. 14 is a top view of the hammer drill of FIG. 8.

1 Claim, 14 Drawing Sheets



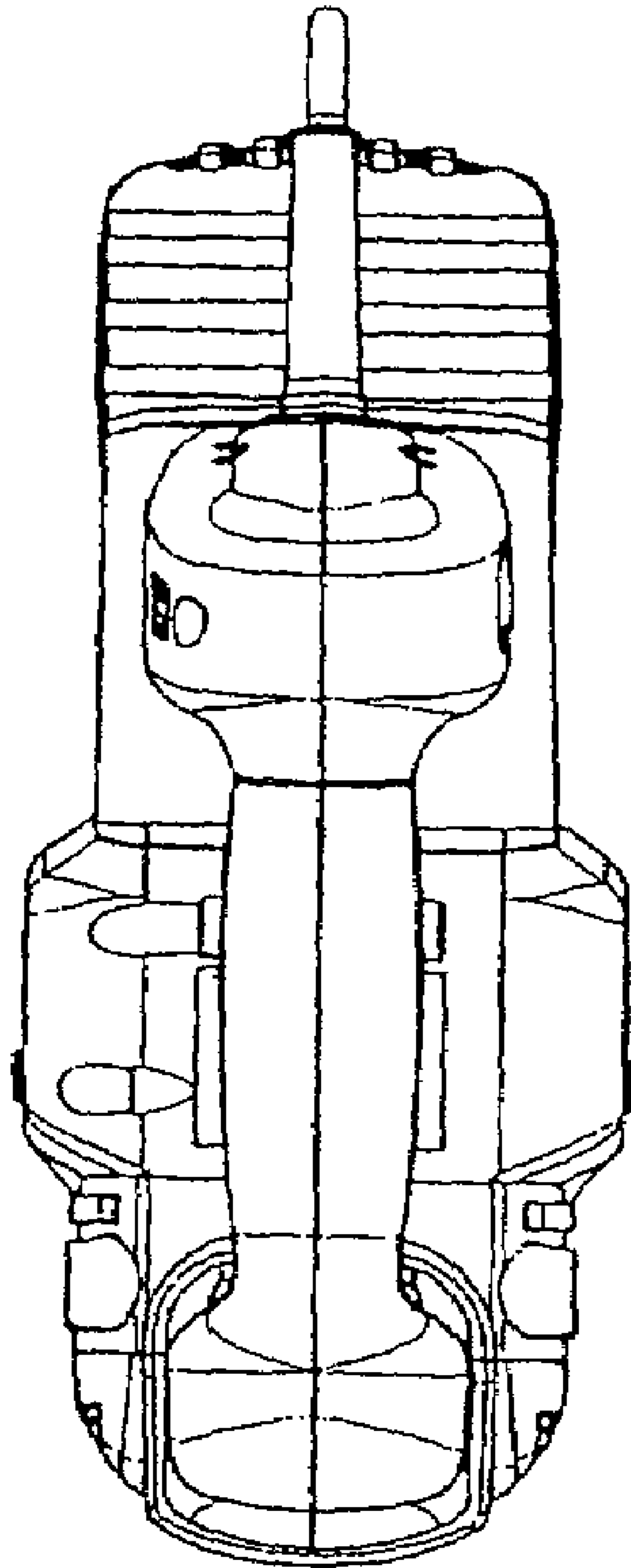


FIG. 1

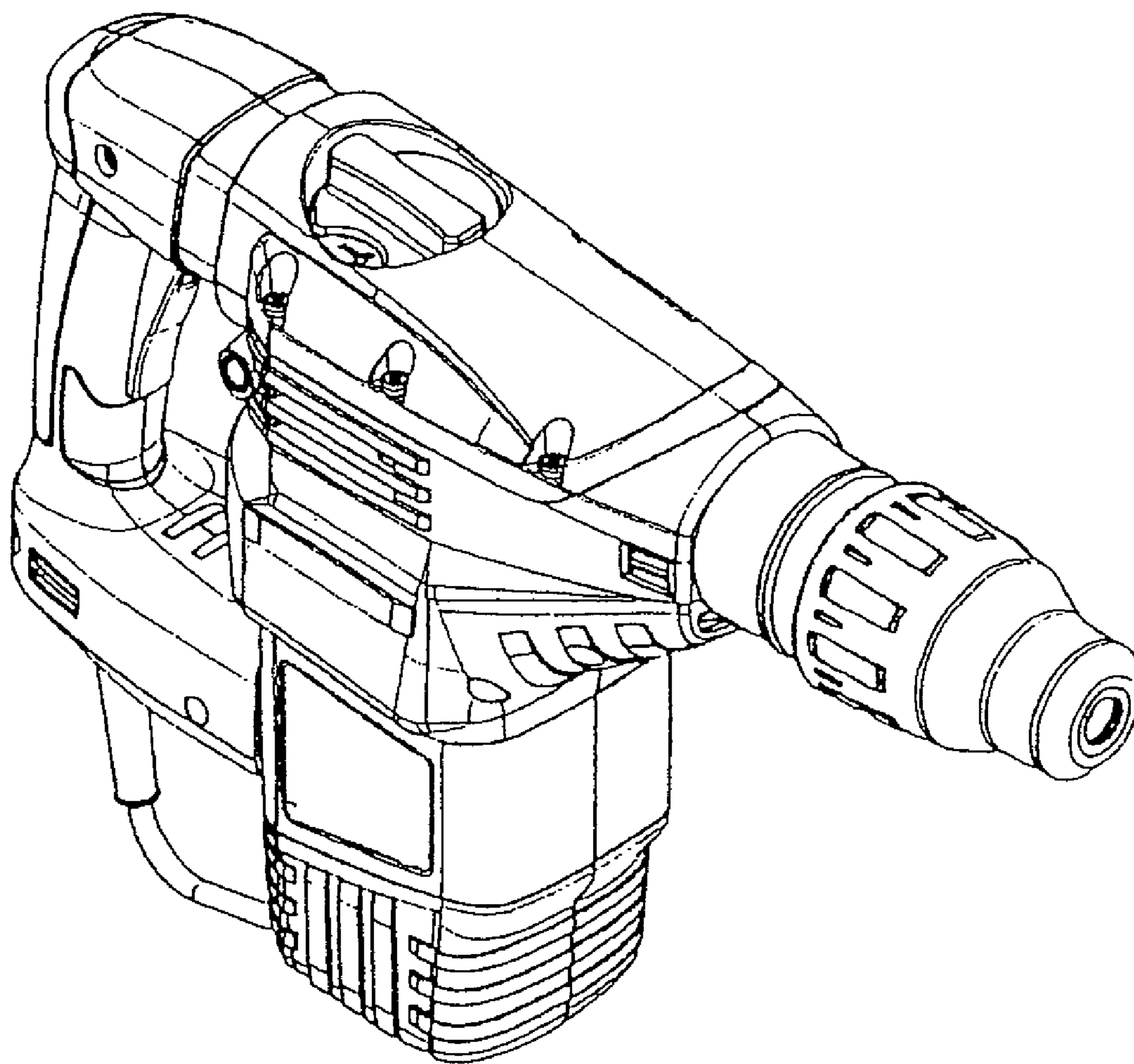


FIG. 2

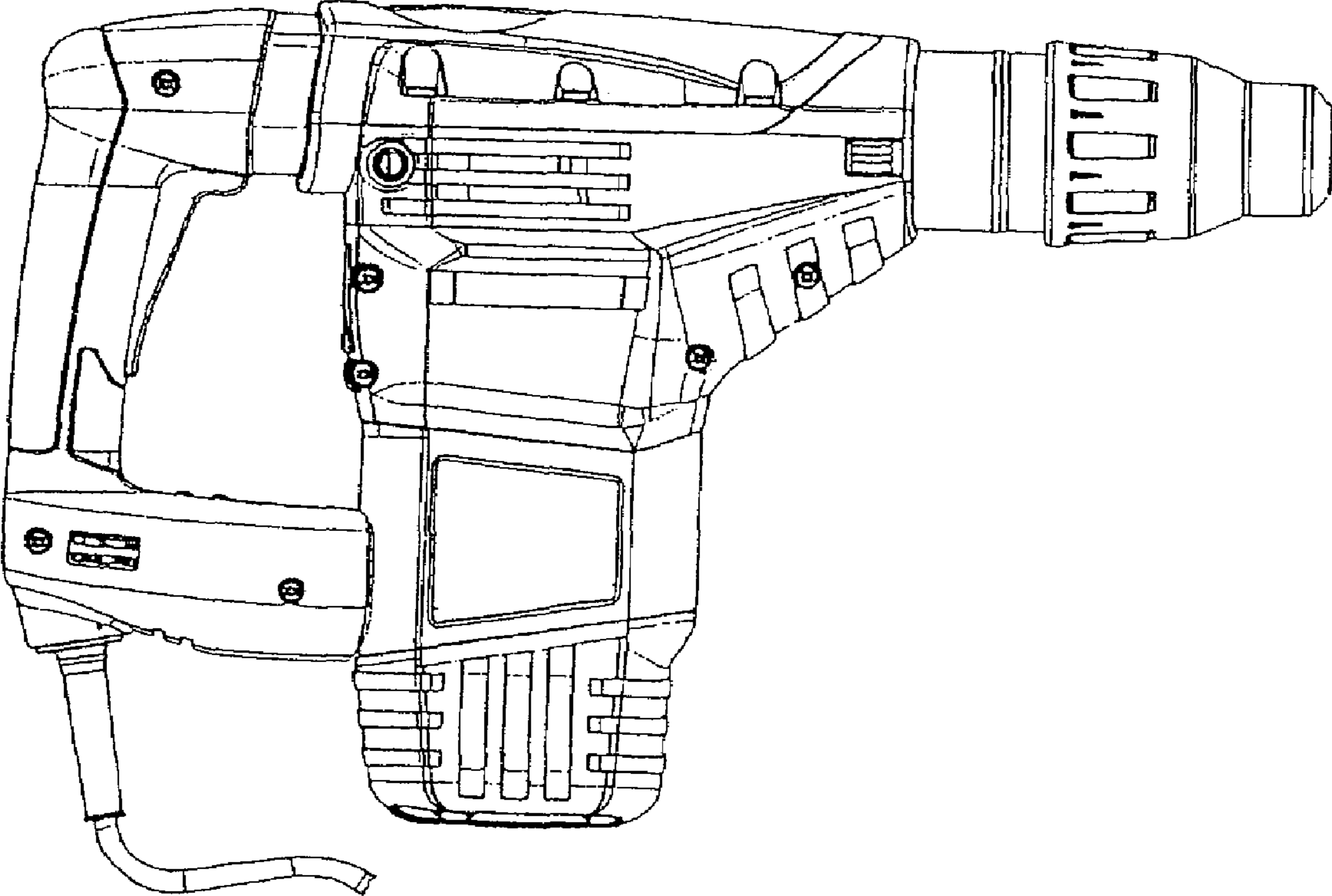


FIG. 3

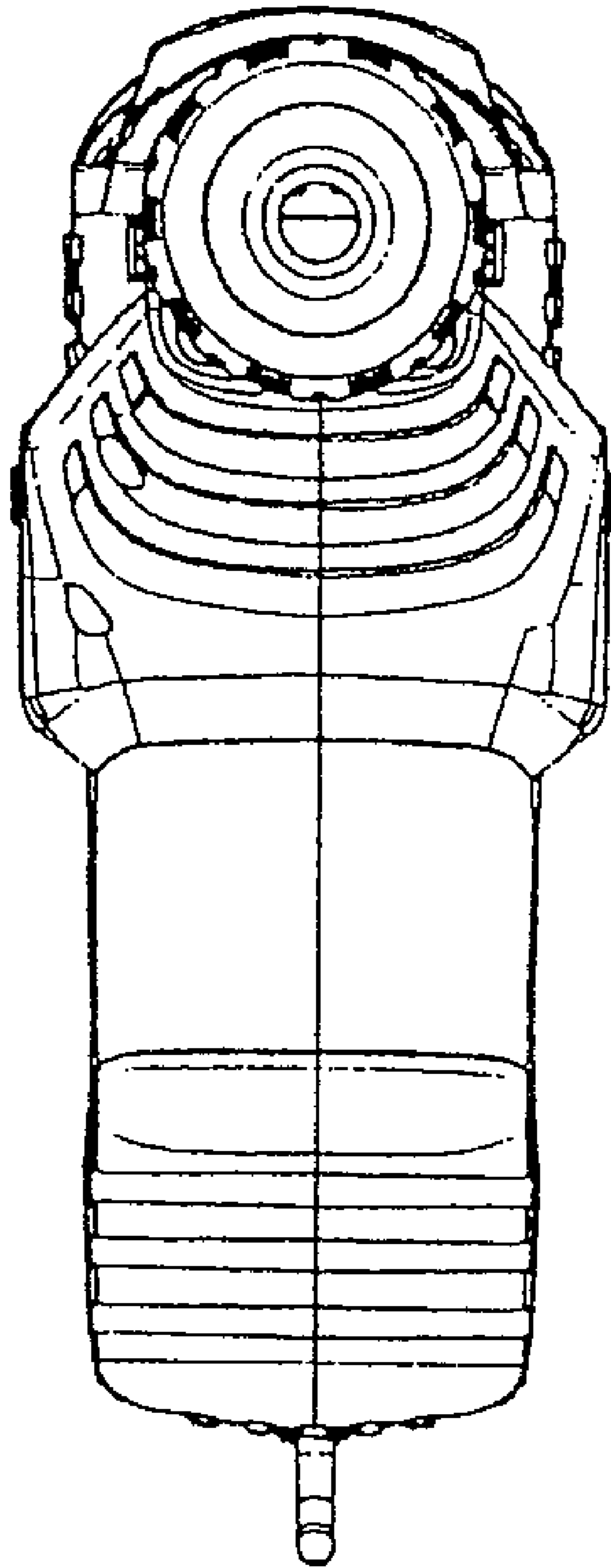


FIG. 4

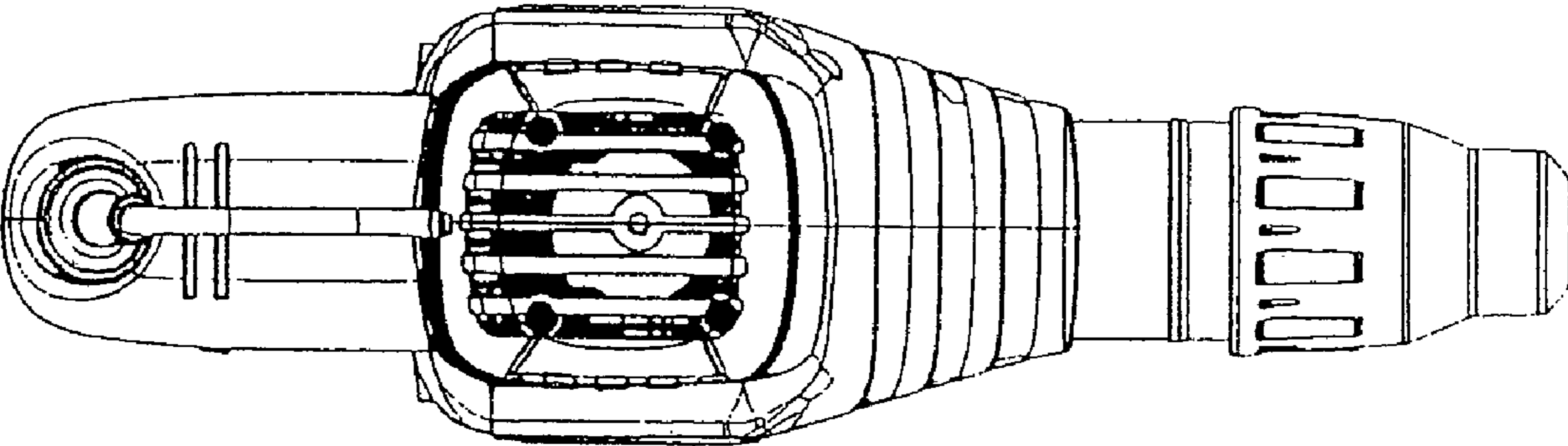


FIG. 5

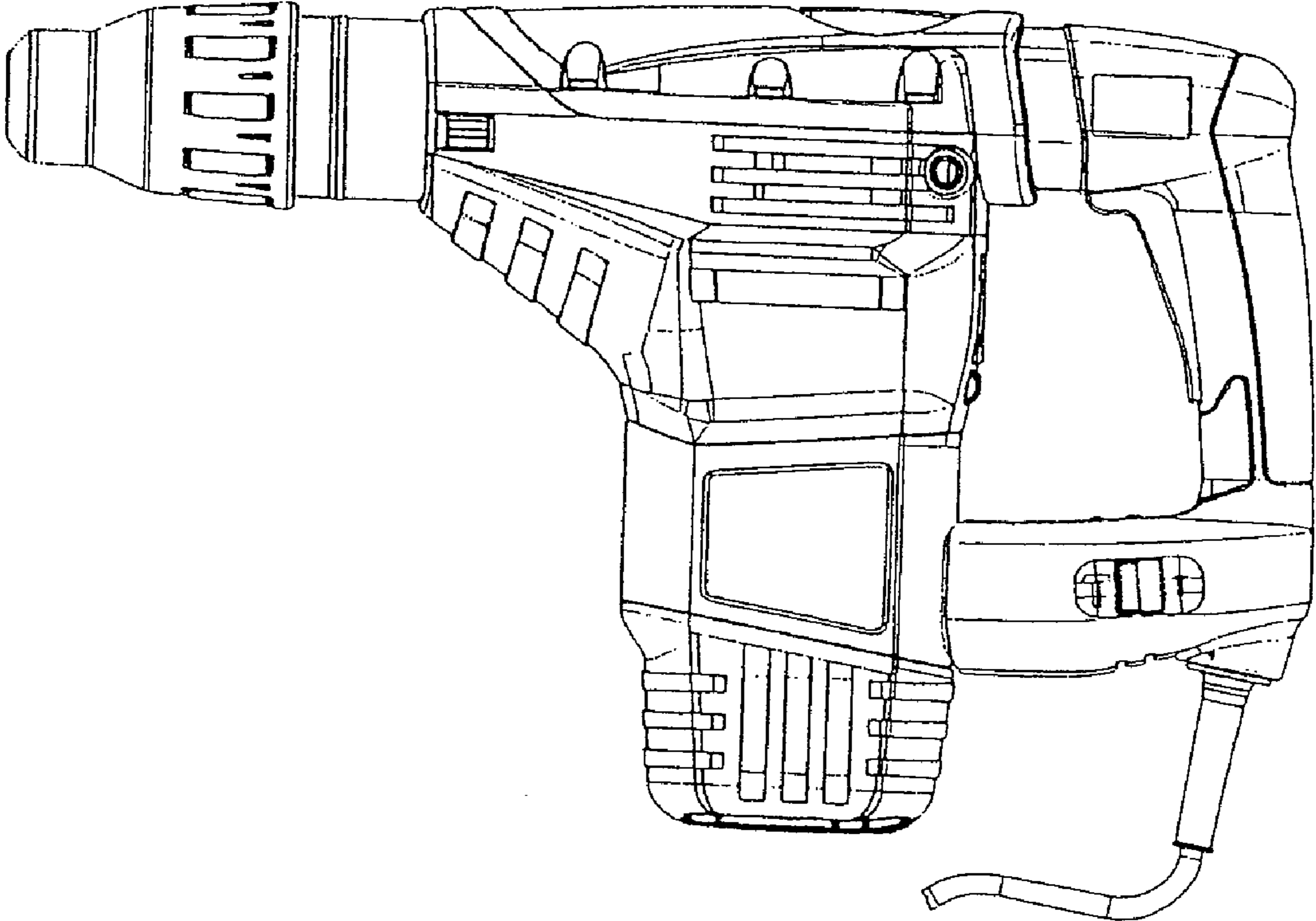


FIG. 6

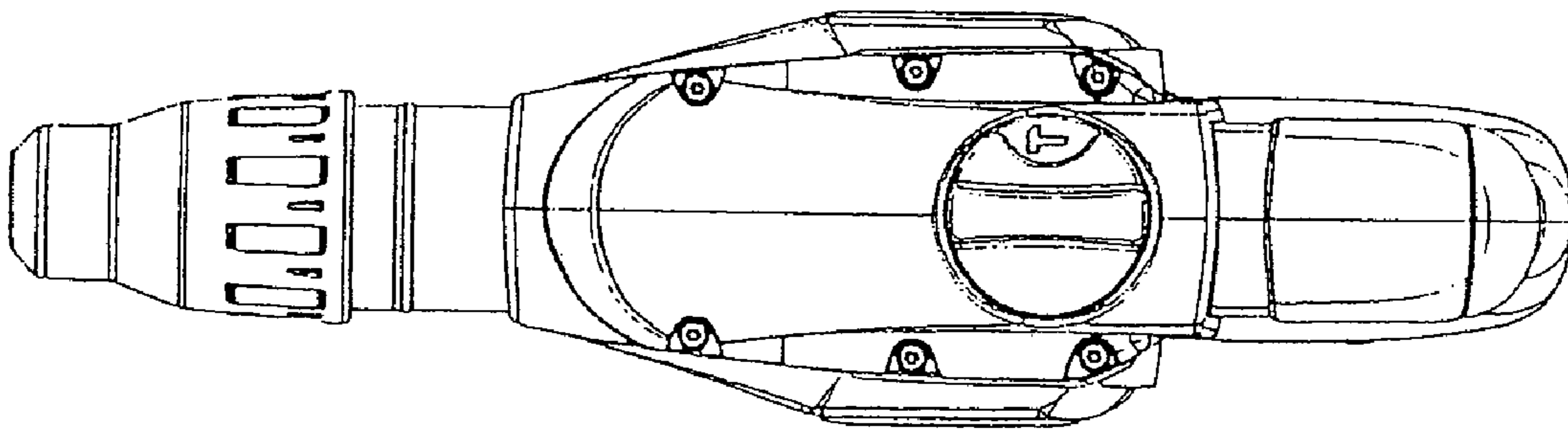


FIG. 7

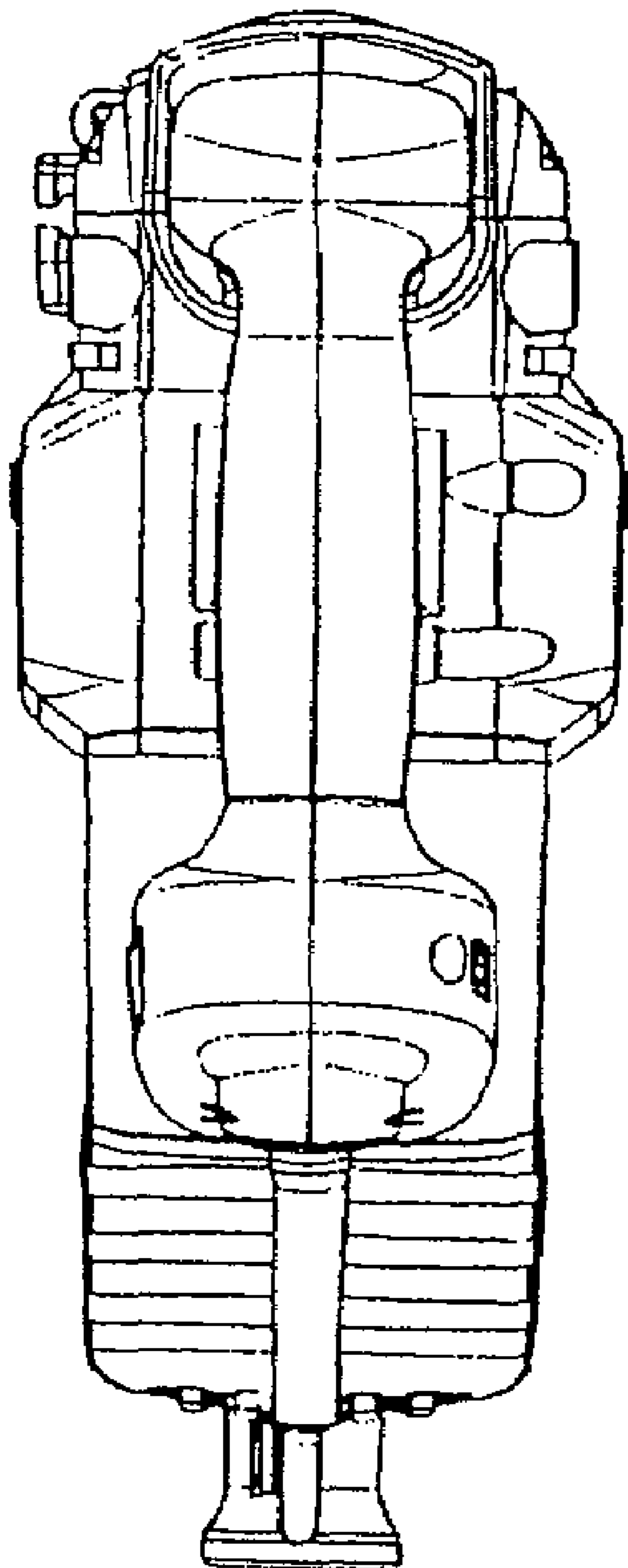


FIG. 8

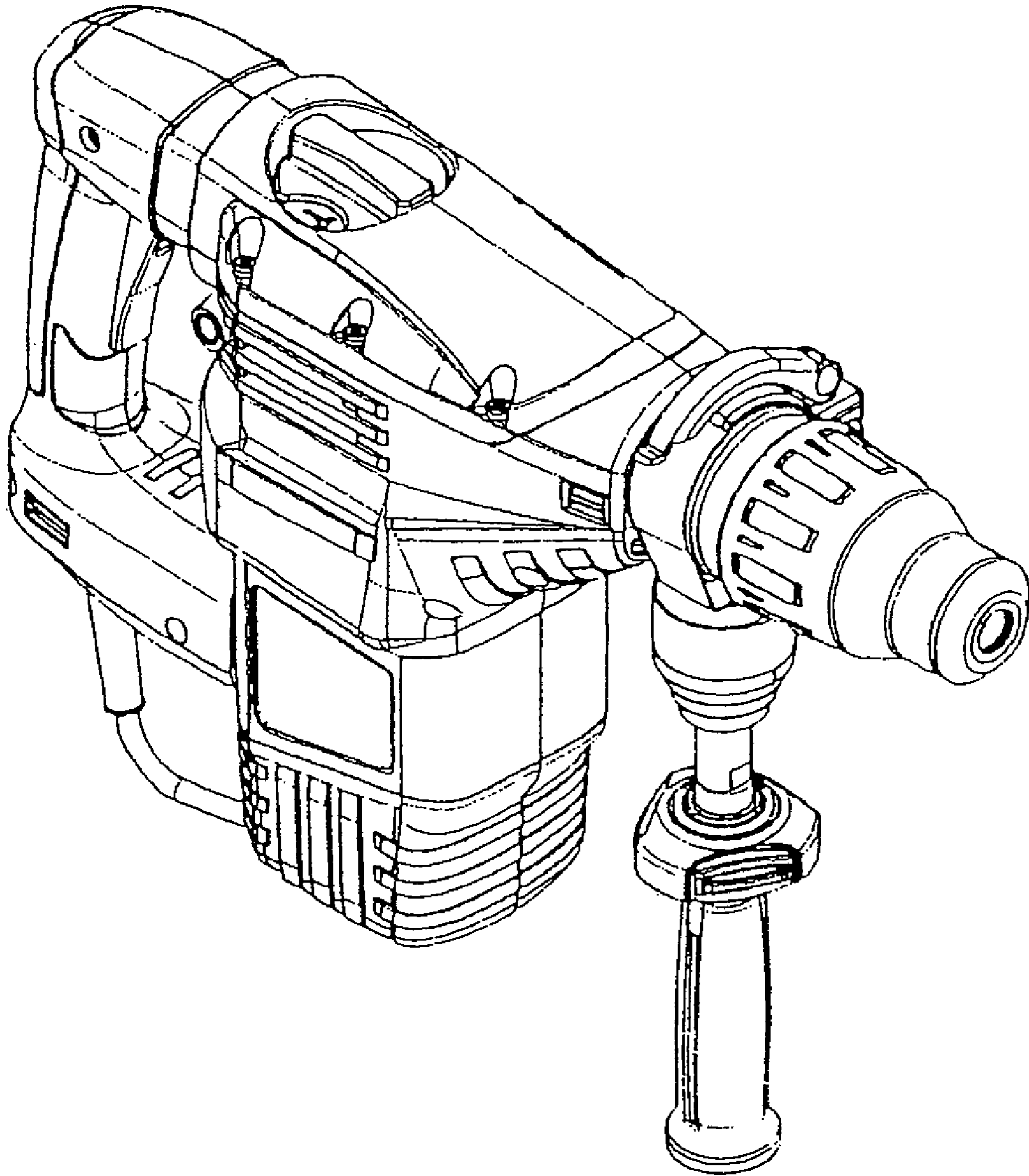


FIG. 9

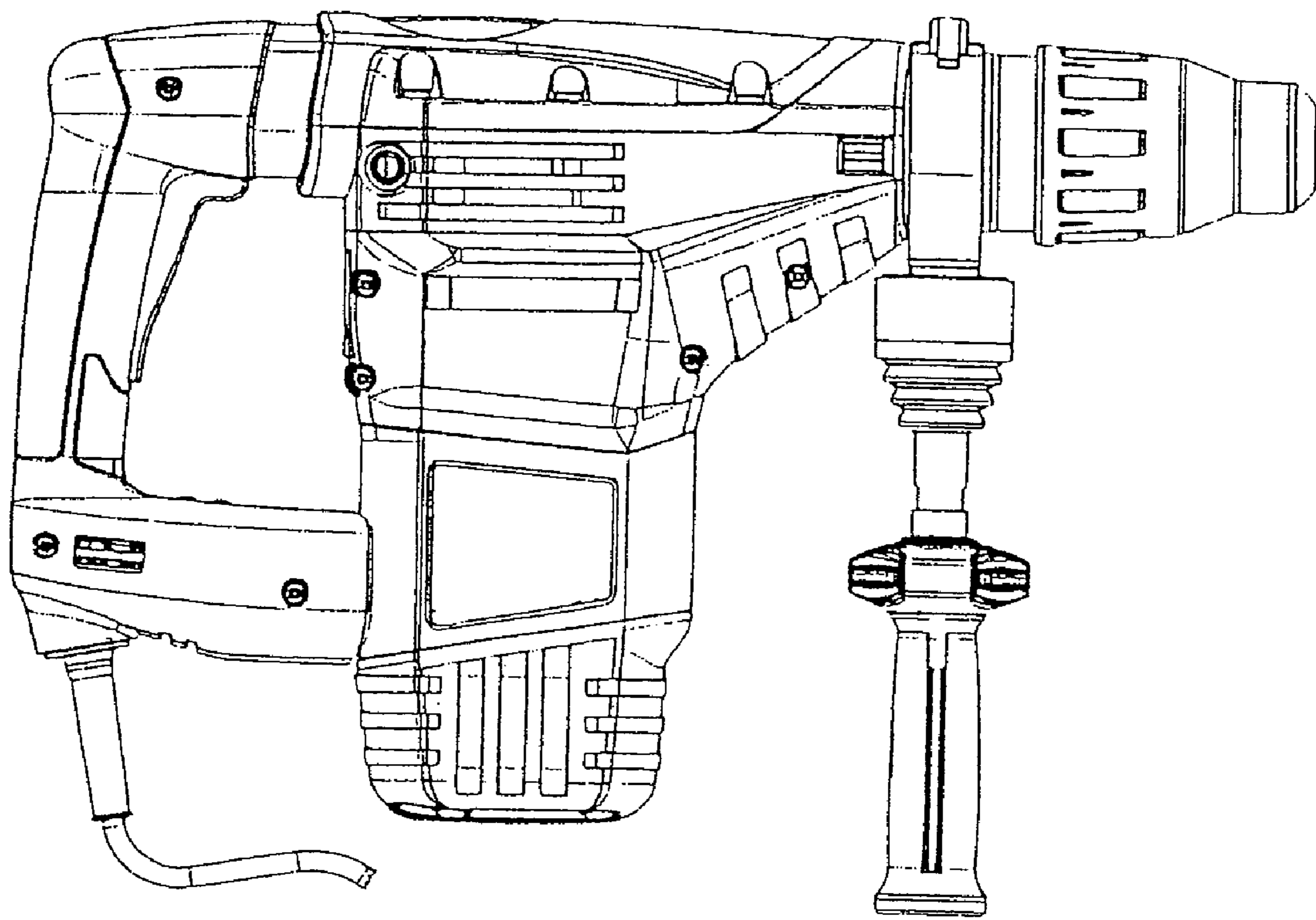


FIG. 10

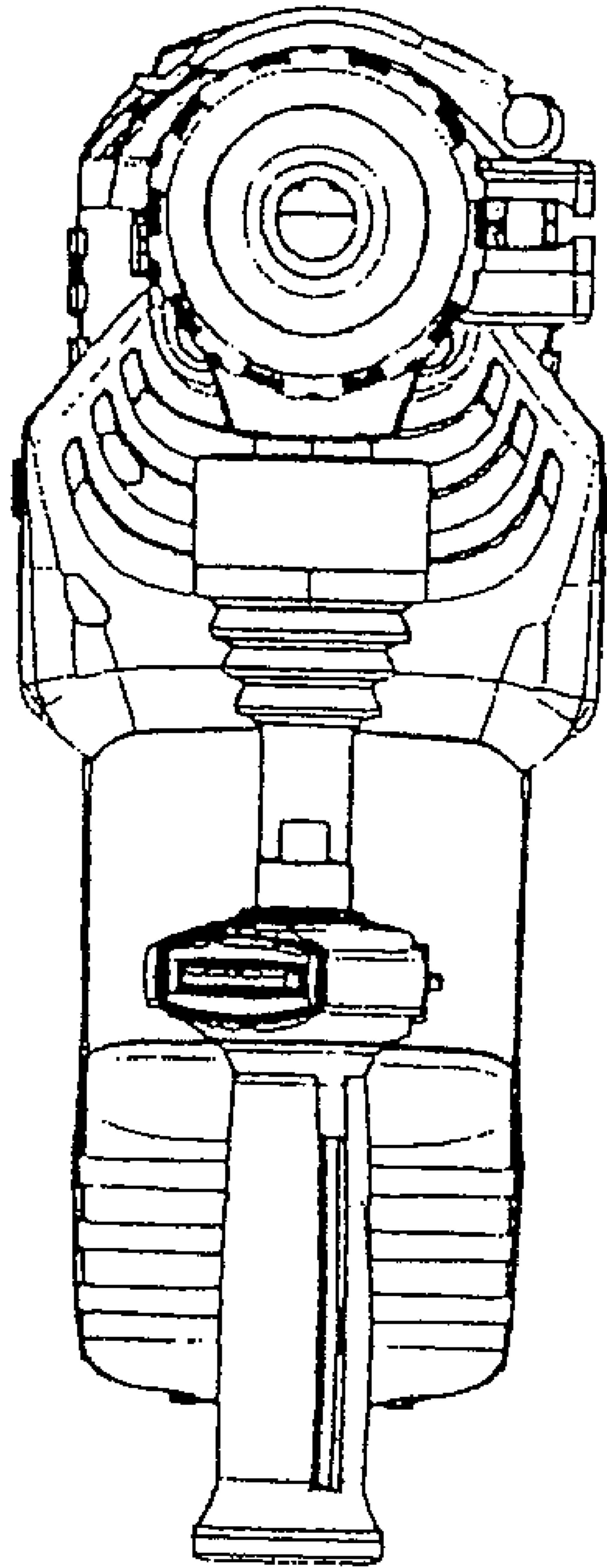


FIG. 11

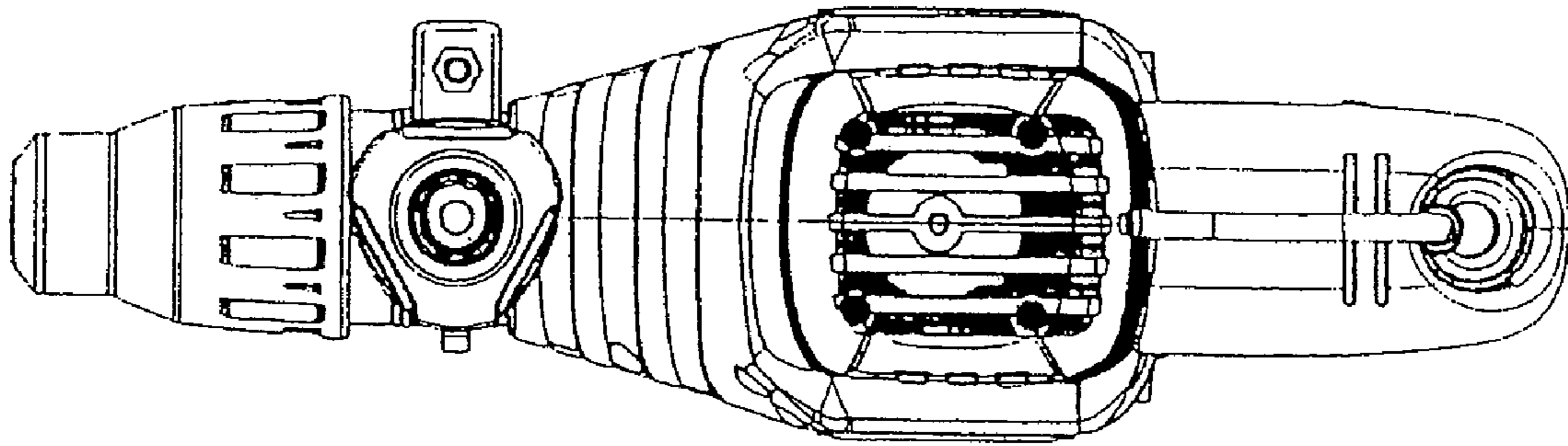


FIG. 12

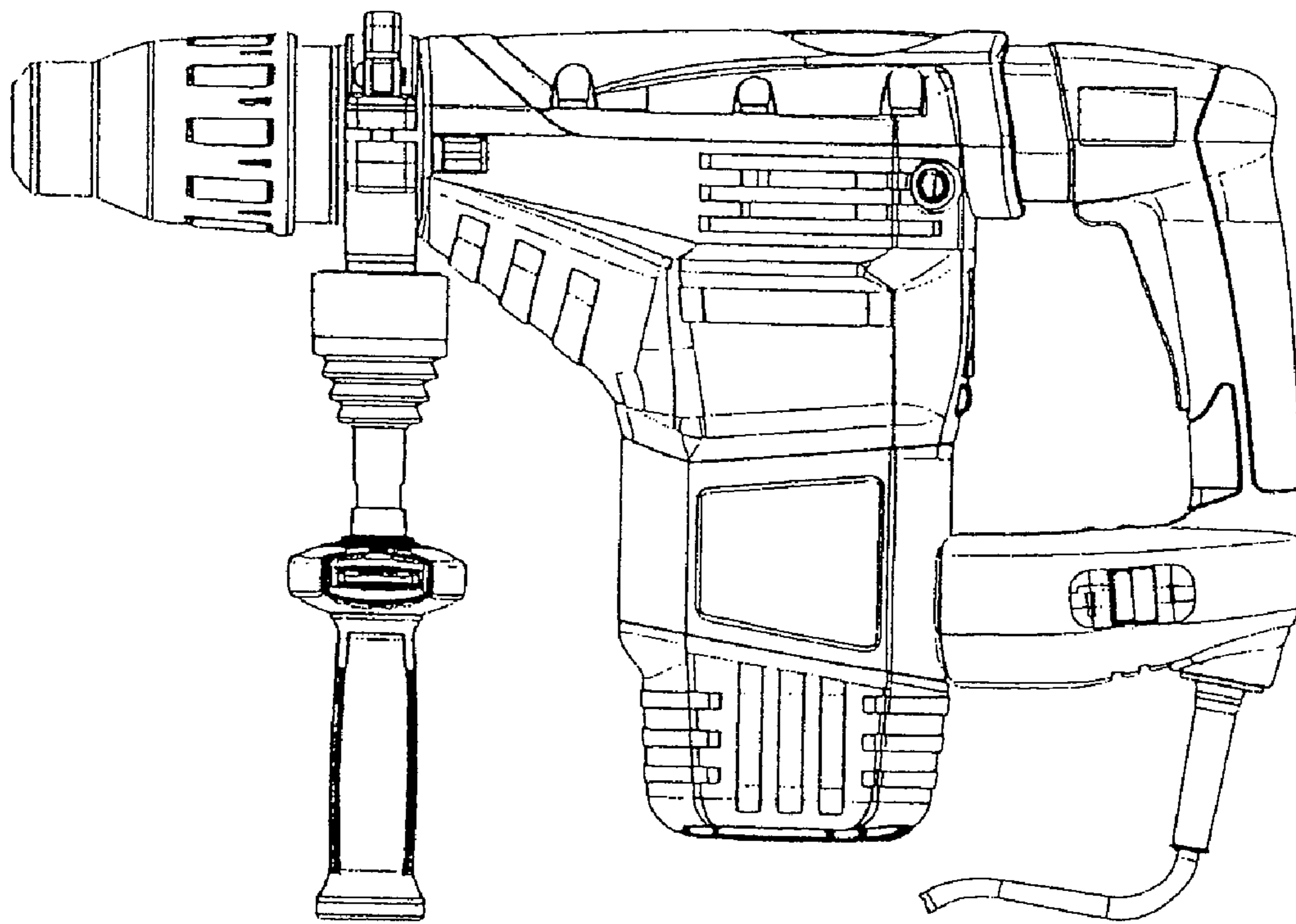


FIG. 13

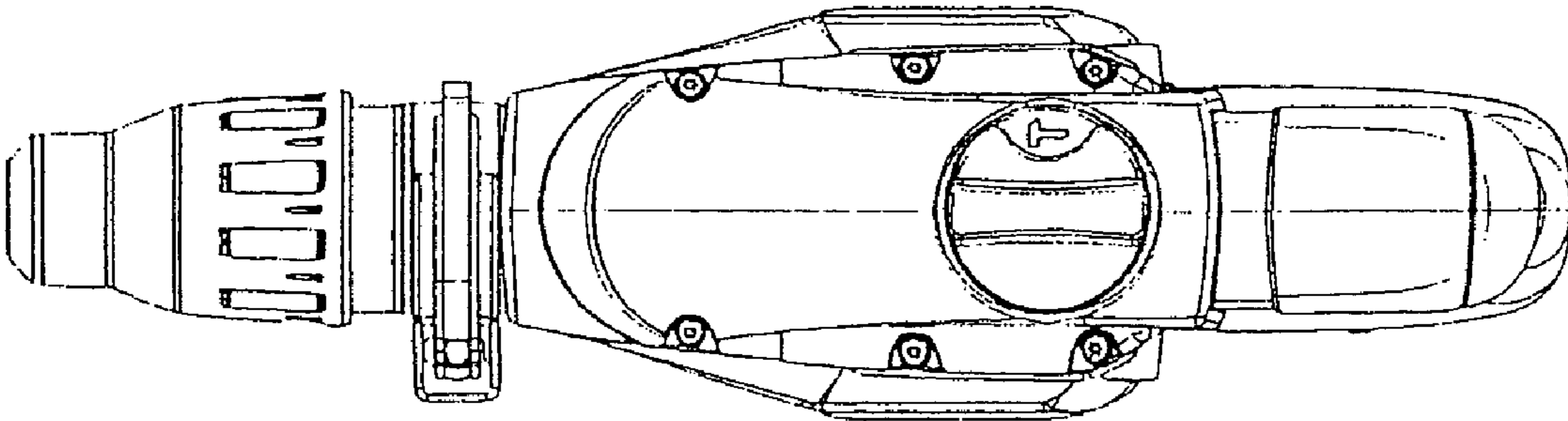


FIG. 14