



US00D610475S

(12) **United States Design Patent**  
**Beers et al.**

(10) **Patent No.:** **US D610,475 S**  
(45) **Date of Patent:** **\*\* Feb. 23, 2010**

(54) **THERMOSTAT HOUSING**

D539,676 S \* 4/2007 Hedderich et al. .... D10/49  
D566,597 S \* 4/2008 Schneor ..... D10/103

(75) Inventors: **Bradley A. Beers**, Dorr, MI (US); **James B. Price**, Holland, MI (US); **Jon Moroney**, Zeeland, MI (US); **Rodger William Eich**, Holland, MI (US); **Sang Hoon Chung**, Holland, MI (US)

\* cited by examiner

*Primary Examiner*—Antoine D Davis  
(74) *Attorney, Agent, or Firm*—Fletcher Yoder

(73) Assignee: **Johnson Controls Technology Company**, Holland, MI (US)

(57) **CLAIM**

(\*\*) Term: **14 Years**

The ornamental design for a thermostat housing, substantially as shown and described.

(21) Appl. No.: **29/335,419**

(22) Filed: **Apr. 15, 2009**

**DESCRIPTION**

(51) **LOC (9) Cl.** ..... **10-04**

FIG. 1 is a perspective view of a thermostat housing;

(52) **U.S. Cl.** ..... **D10/50**

FIG. 2 is a front elevational view of the thermostat housing;

(58) **Field of Classification Search** ..... D10/49–50;  
236/5, 46 R–46 F, 47, 49.3, 51, 84, 94; 340/7.21–7.24,  
340/7.32, 825.6, 825.72, 539.1, 539.14, 539.21,  
340/539.26, 426.21, 584, 589, 870.17; 374/167;  
400/485; 455/420, 226.1

FIG. 3 is a right side elevational view of the thermostat housing, the left side elevational view being a mirror image of the right side elevational view being shown;

See application file for complete search history.

FIG. 4 is a top plan view of the thermostat housing; and,

FIG. 5 is a bottom plan view of the thermostat housing.

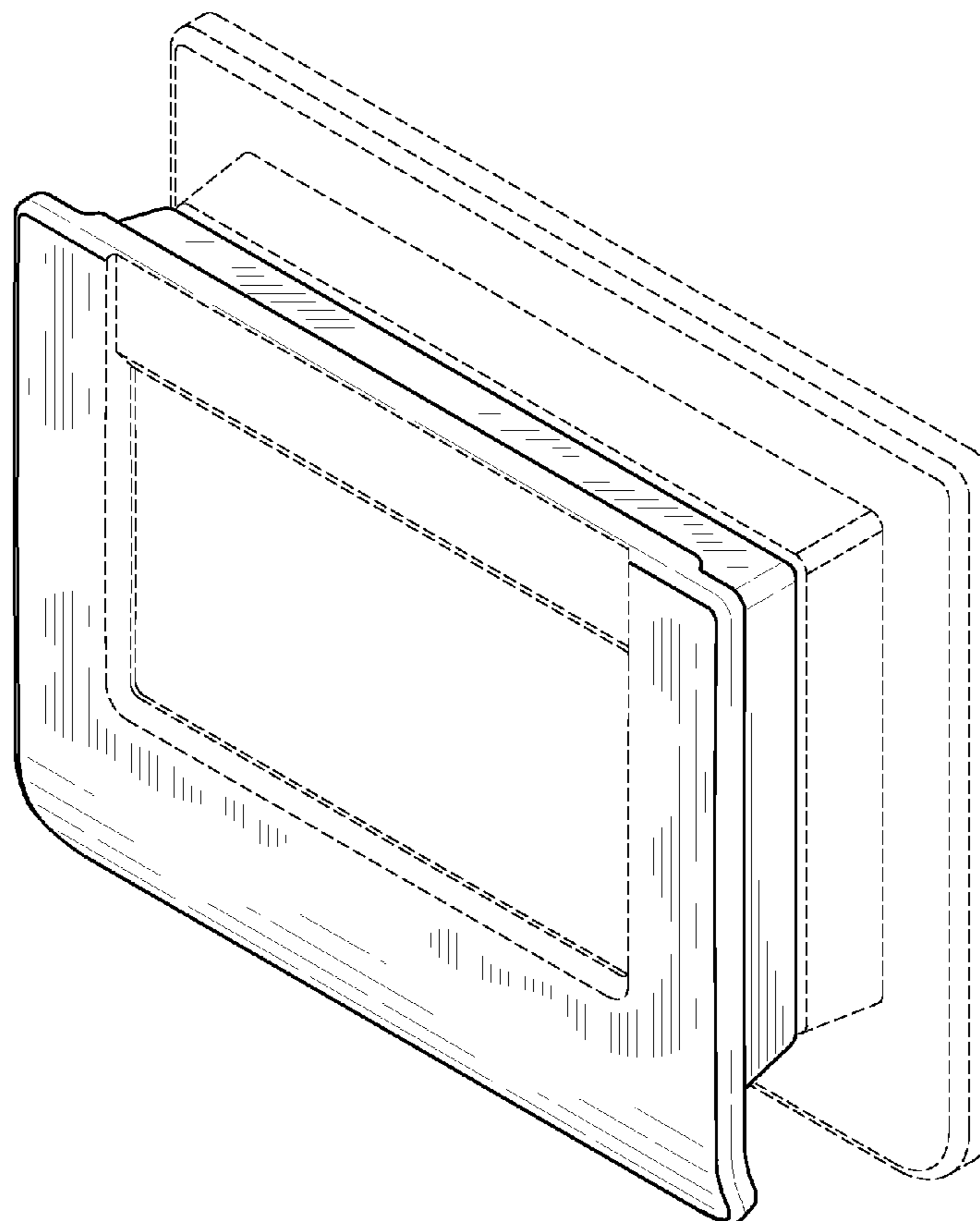
(56) **References Cited**

Phantom lining, where utilized, is for illustrative purposes only, and is not intended to limit the claimed design to the features shown in phantom.

**U.S. PATENT DOCUMENTS**

D496,592 S \* 9/2004 Svennberg ..... D10/50

**1 Claim, 3 Drawing Sheets**



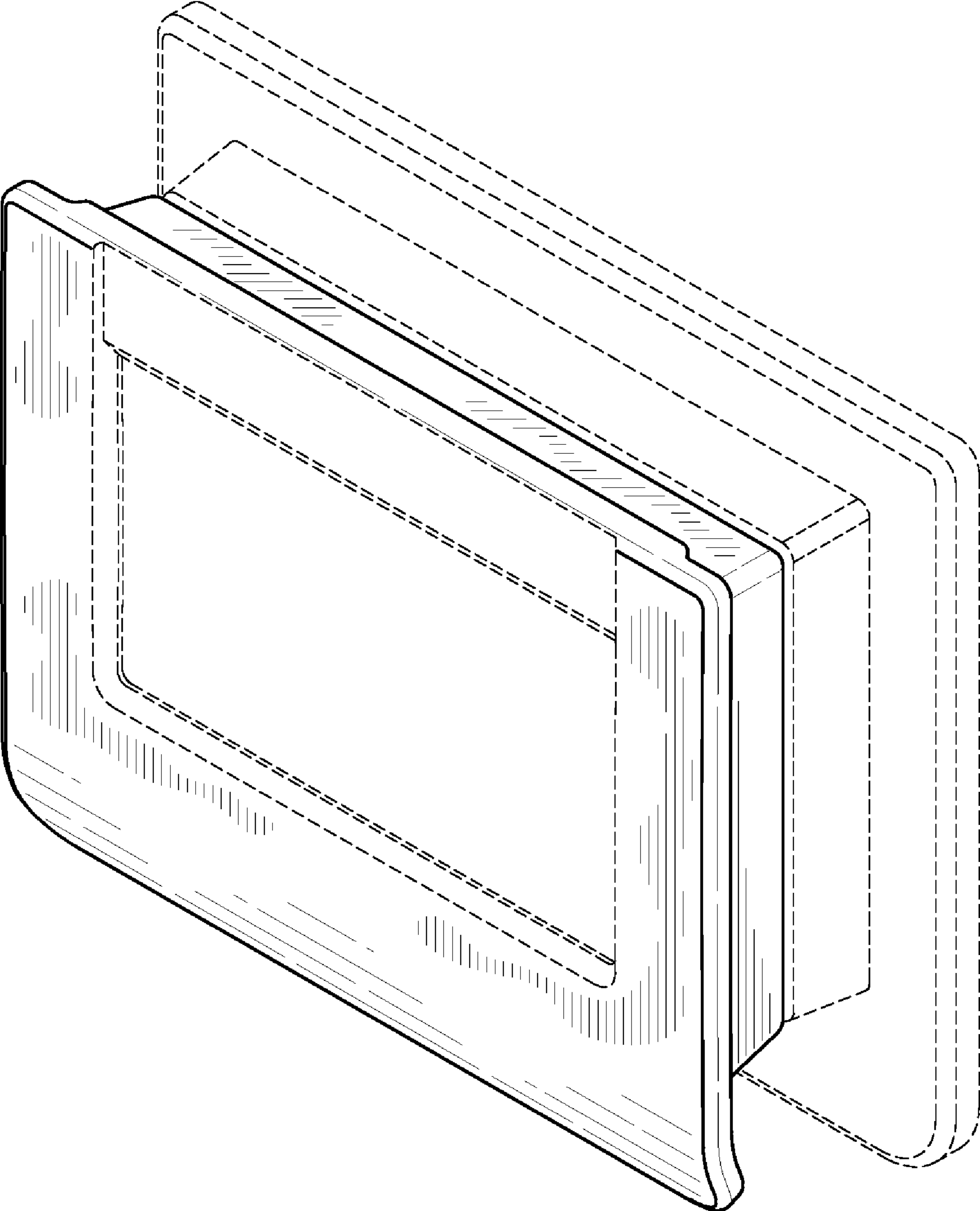


FIG-1

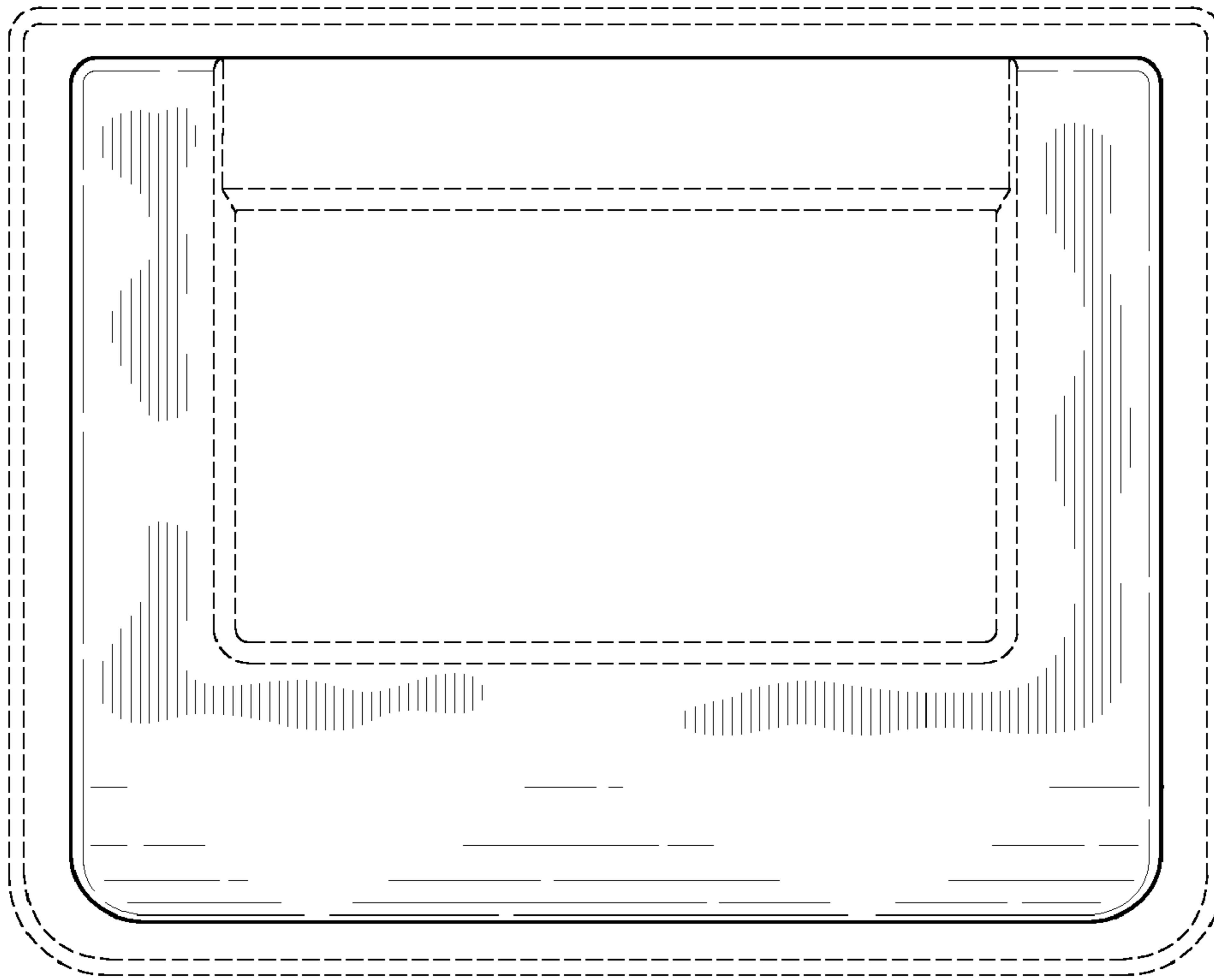


FIG-2

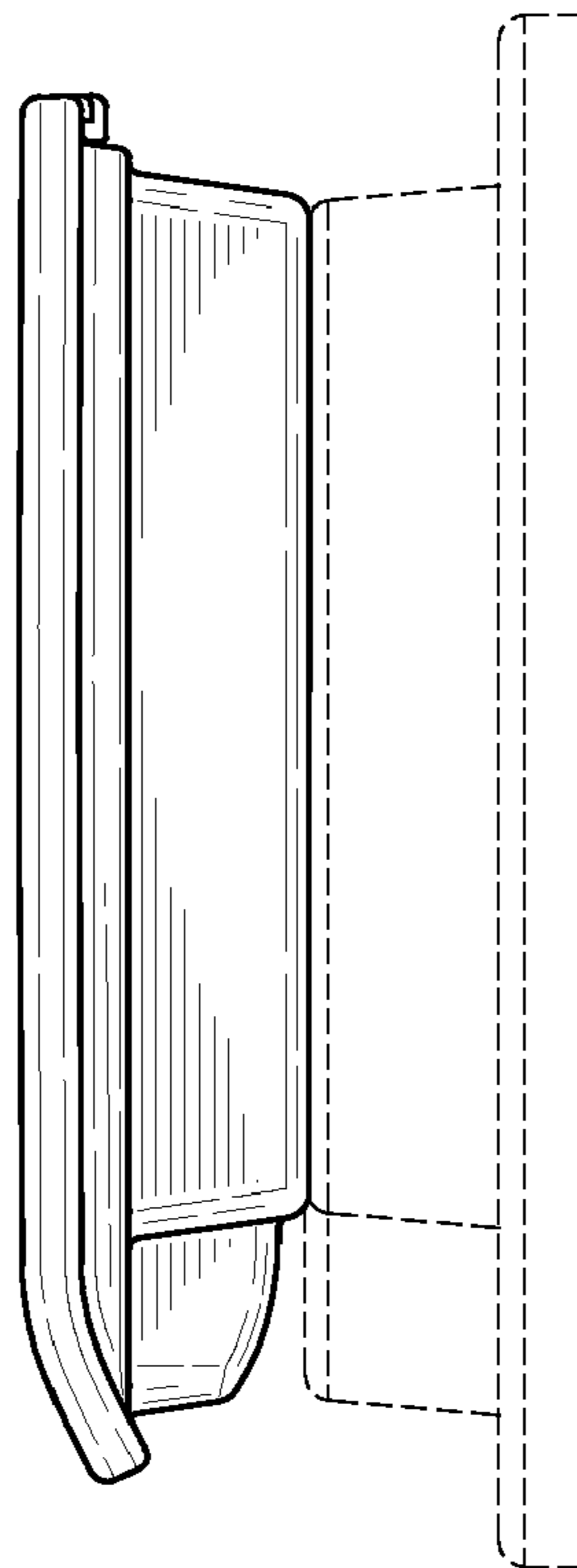


FIG-3

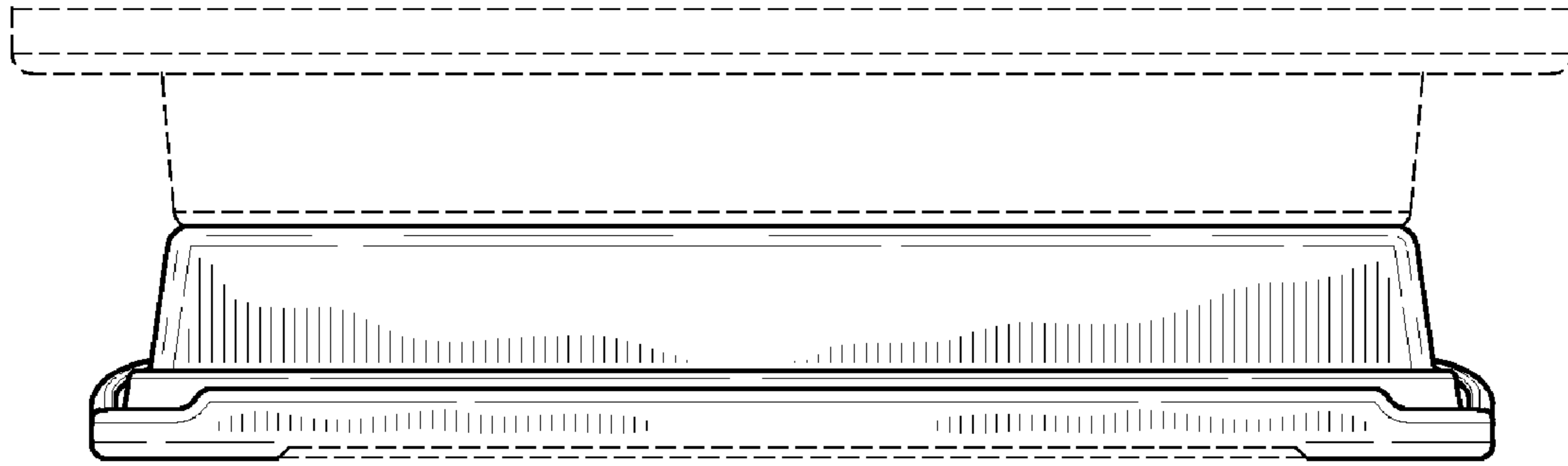


FIG-4

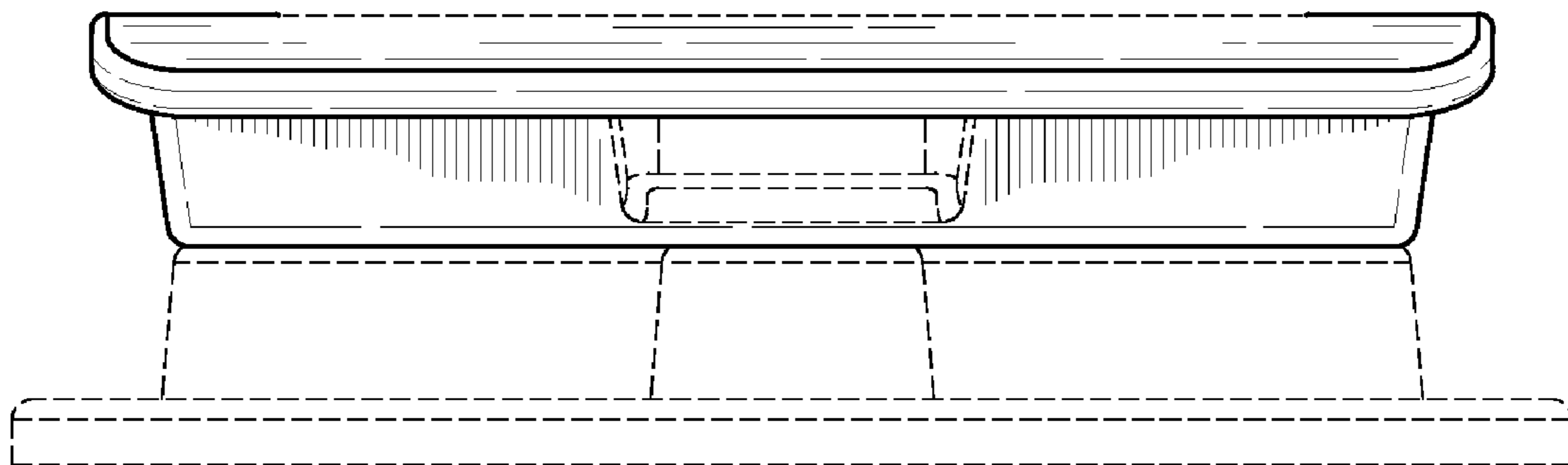


FIG-5