



US00D610473S

(12) **United States Design Patent**
Goodman

(10) **Patent No.:** **US D610,473 S**
(45) **Date of Patent:** **** Feb. 23, 2010**

(54) **WATCH**

(75) Inventor: **Chris O. Goodman**, Ladera Ranch, CA (US)

(73) Assignee: **Oakley, Inc.**, Foothill Ranch, CA (US)

(**) Term: **14 Years**

(21) Appl. No.: **29/316,288**

(22) Filed: **Sep. 8, 2009**

D452,175 S *	12/2001	Finazzi	D10/39
D519,854 S	5/2006	Modolo	
D536,627 S *	2/2007	Behling	D10/38
D556,604 S	12/2007	Yee et al.	
D557,619 S	12/2007	Moritz	
D563,802 S *	3/2008	Loth	D10/39
D569,741 S *	5/2008	Satou et al.	D10/39
D574,263 S *	8/2008	Loth	D10/38
D574,734 S *	8/2008	Loth	D10/38
D579,790 S	11/2008	Yee et al.	
D585,308 S *	1/2009	Loth	D10/38
D585,768 S *	2/2009	Loth	D10/39
D586,238 S *	2/2009	Loth	D10/32

Related U.S. Application Data

(63) Continuation-in-part of application No. 29/315,525, filed on Jul. 3, 2009.

(51) **LOC (9) Cl.** **10-02**

(52) **U.S. Cl.** **D10/38**

(58) **Field of Classification Search** D10/30-39;
368/276, 281, 282, 308, 319, 288-290
See application file for complete search history.

(56) **References Cited**

U.S. PATENT DOCUMENTS

2,143,703 A	1/1939	Kestenman	
2,954,665 A *	10/1960	Panera et al.	368/289
D224,602 S	8/1972	Poon	
D246,830 S	1/1978	Lossini	
D247,103 S	1/1978	Lossini	
D279,172 S *	6/1985	Hysek	D10/32
D294,683 S	3/1988	Perrin	
D294,806 S	3/1988	Perrin	
D295,841 S *	5/1988	Kano	D10/39
D301,986 S *	7/1989	Hysek	D10/32
D318,237 S *	7/1991	Hysek	D10/32
D350,072 S *	8/1994	Hitter	D10/32
D362,192 S *	9/1995	Hitter	D10/32
D383,083 S	9/1997	Ludvig	
D392,902 S	3/1998	Mouawad	
D431,475 S	10/2000	Rabassa	
D438,813 S	3/2001	Yellen	
6,200,019 B1 *	3/2001	Latini	368/289
D447,063 S *	8/2001	Scheufele	D10/30

OTHER PUBLICATIONS

U.S. Appl. No. 29/313,834, filed Feb. 13, 2009, Moritz.
U.S. Appl. No. 29/292,303, filed Oct. 5, 2007, Yee.
U.S. Appl. No. 29/314,134, filed Feb. 4, 2009, Moritz.
U.S. Appl. No. 29/314,126, filed Mar. 4, 2009, Goodman.
U.S. Appl. No. 29/315,525, filed Jul. 3, 2009, Goodman.

* cited by examiner

Primary Examiner—Lucy Lieberman

(74) *Attorney, Agent, or Firm*—Gregory K. Nelson

(57) **CLAIM**

The ornamental design for a watch, as shown and described.

DESCRIPTION

FIG. 1 is a front perspective view of the watch of the present invention;

FIG. 2 is a front elevational view thereof;

FIG. 3 is a rear elevational view thereof;

FIG. 4 is a left-side elevational view thereof;

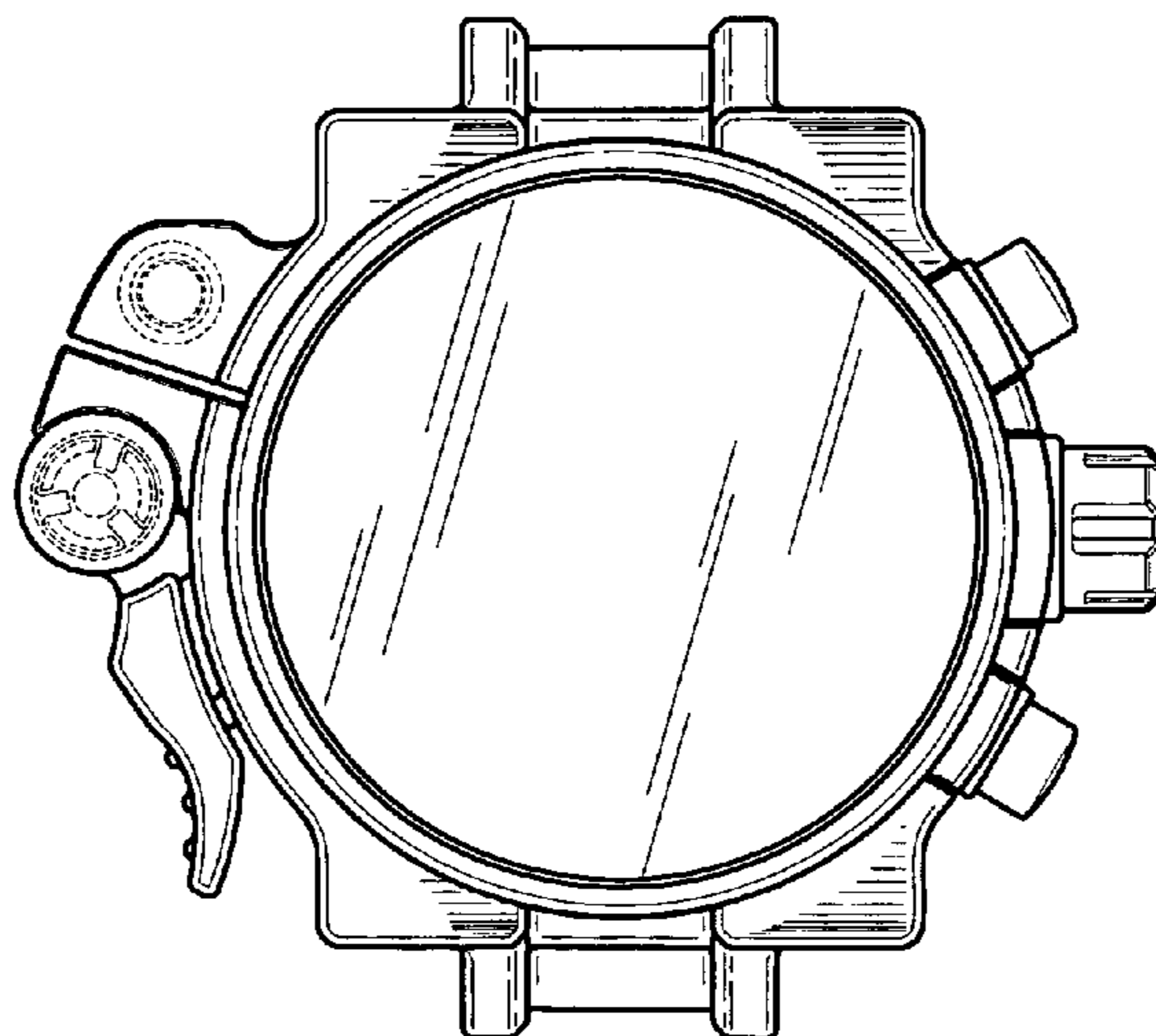
FIG. 5 is a right-side elevational view thereof;

FIG. 6 is a top plan view thereof; and,

FIG. 7 is a bottom plan view thereof.

The broken lines in FIGS. 1, 2, 3, and 6 are used to show portions of the watch that do not form part of the claimed design.

1 Claim, 4 Drawing Sheets



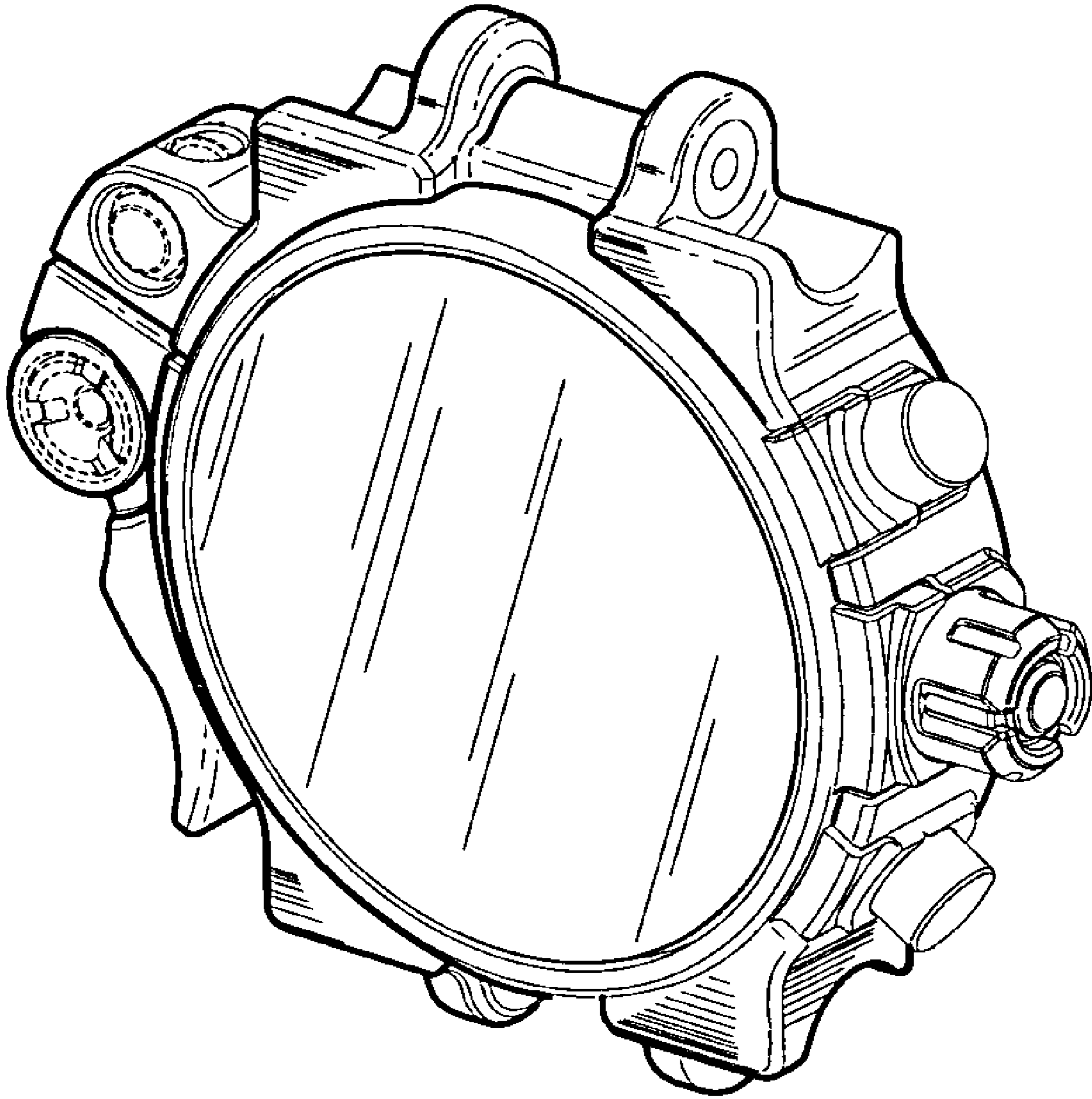


FIG. 1

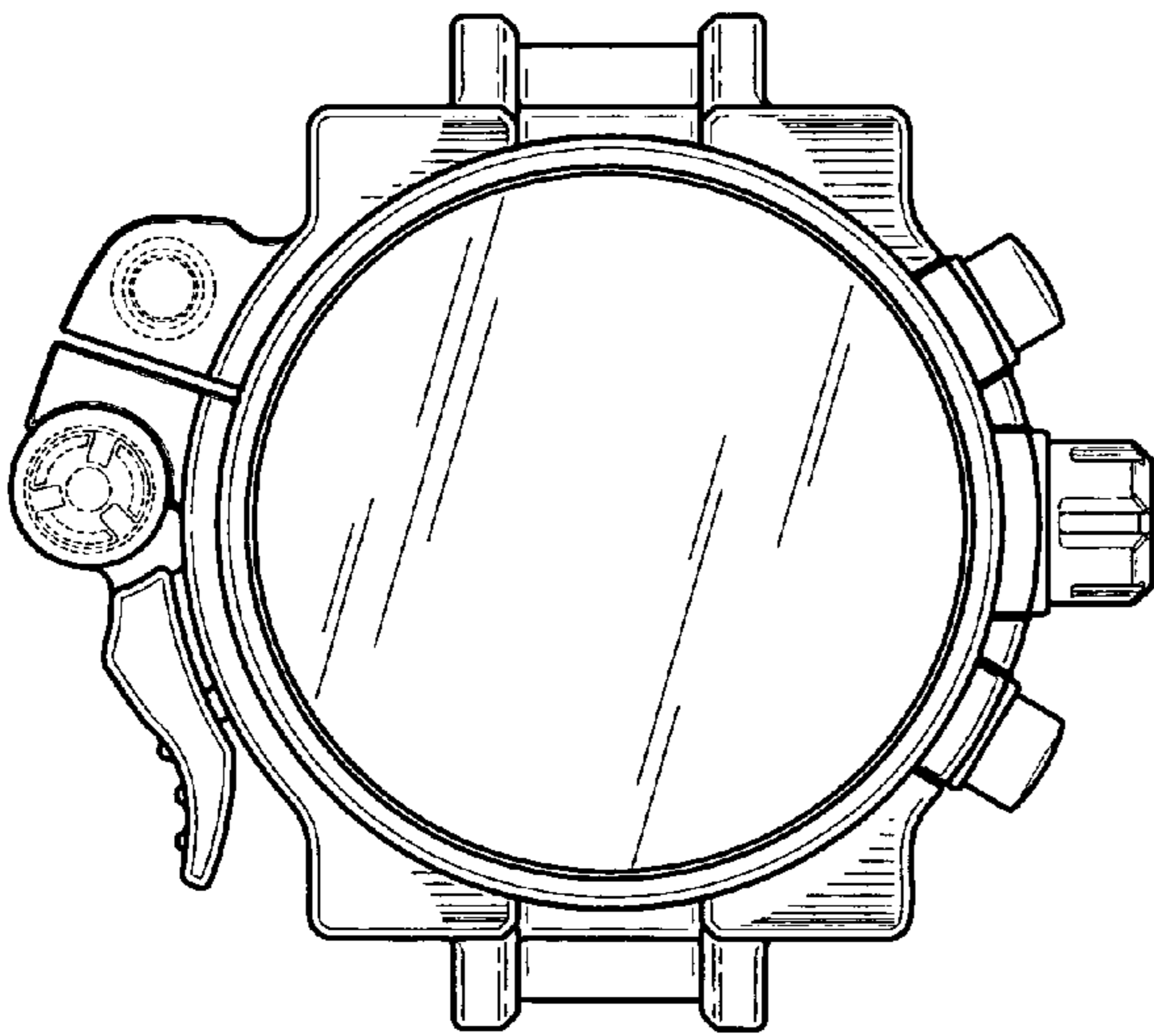


FIG. 2

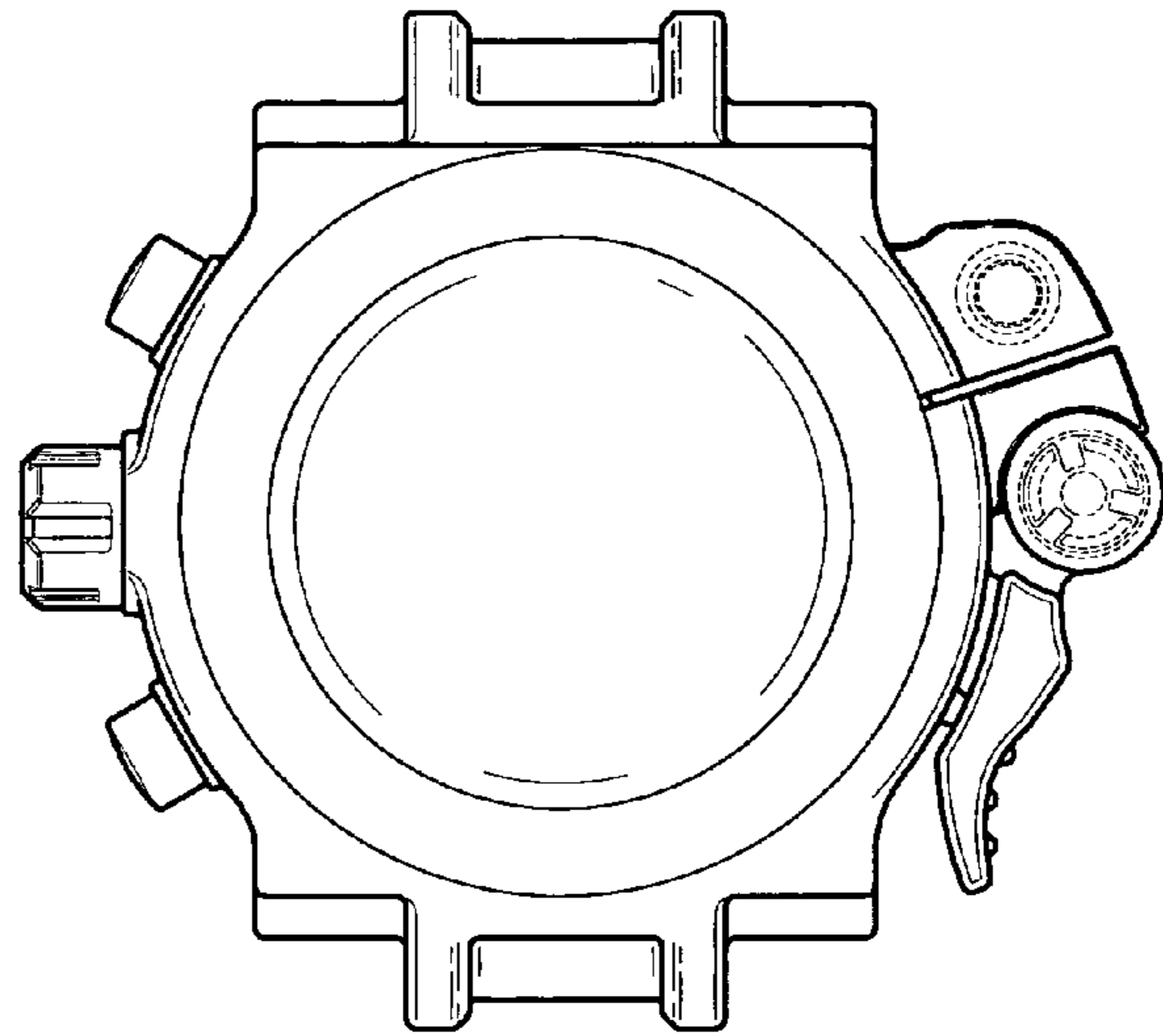


FIG. 3

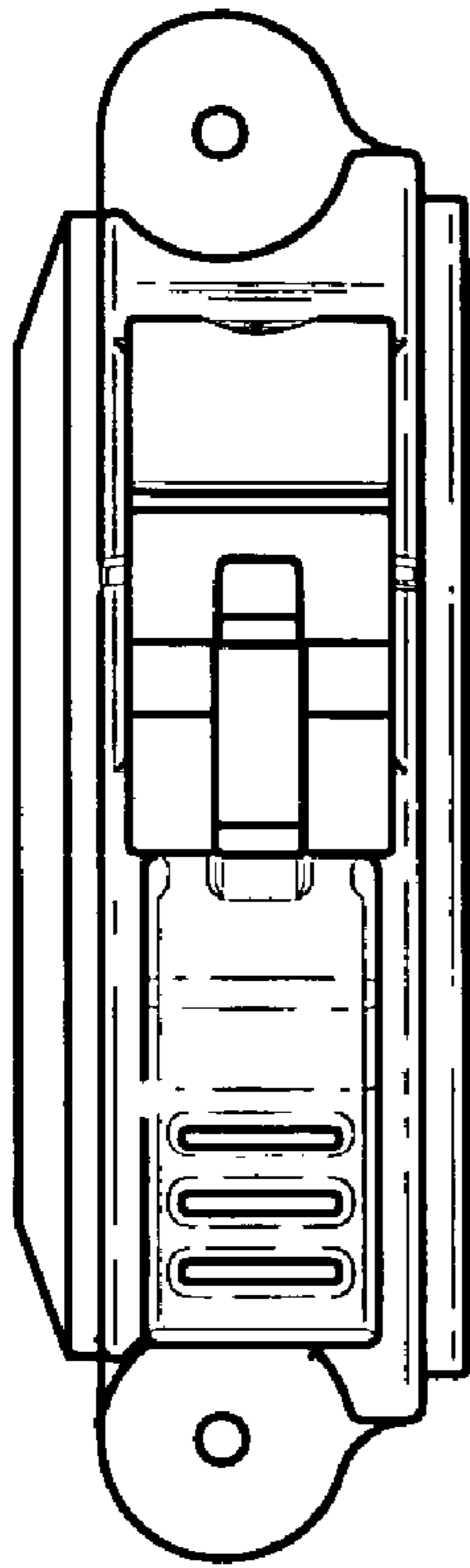


FIG. 4

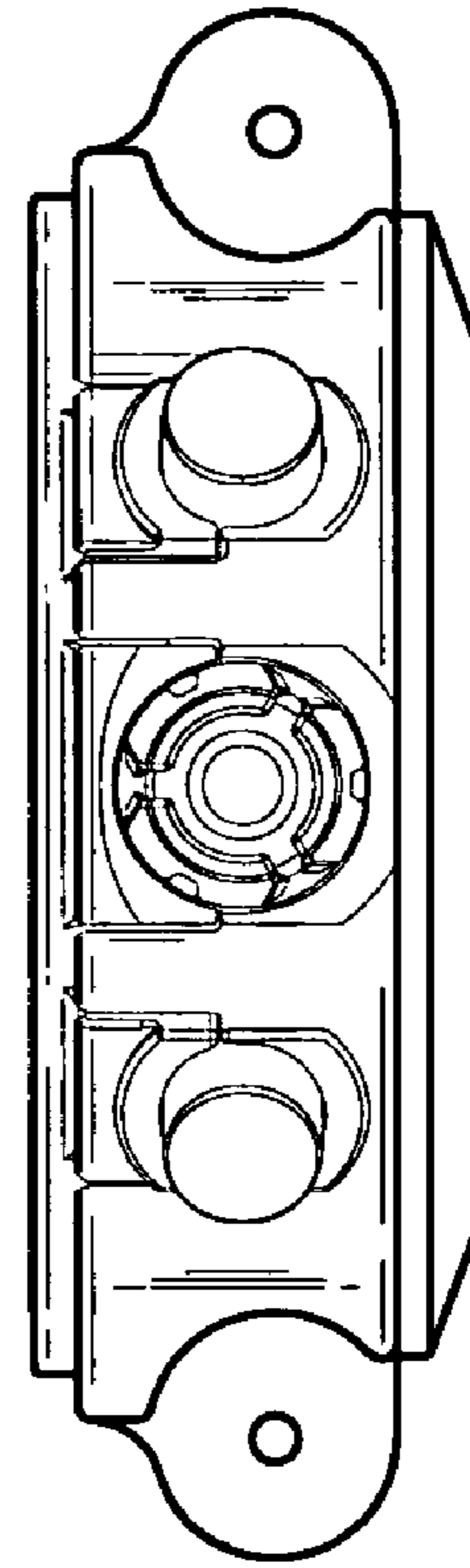


FIG. 5

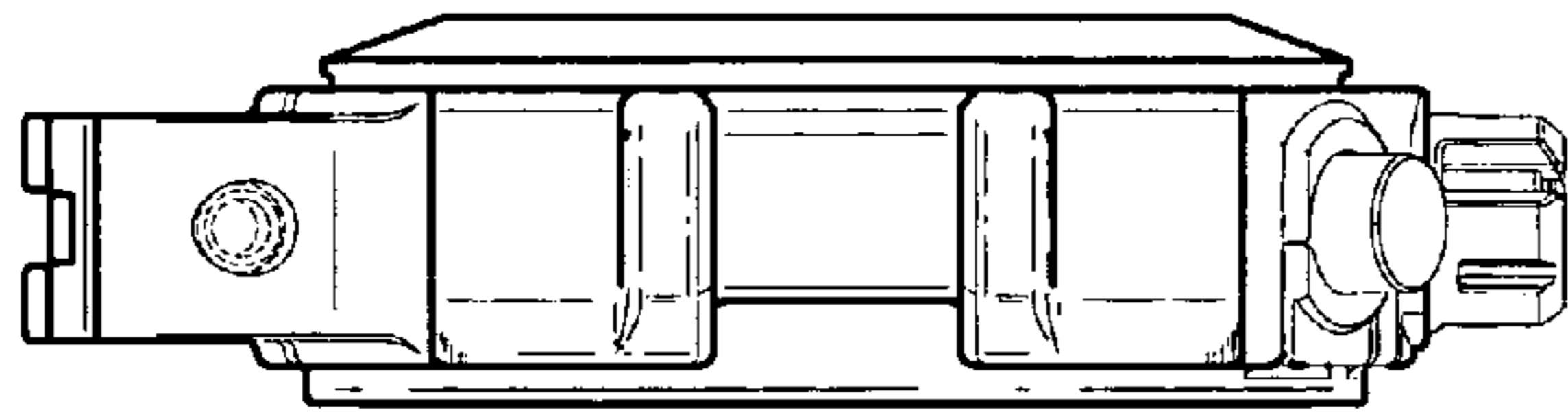


FIG. 6

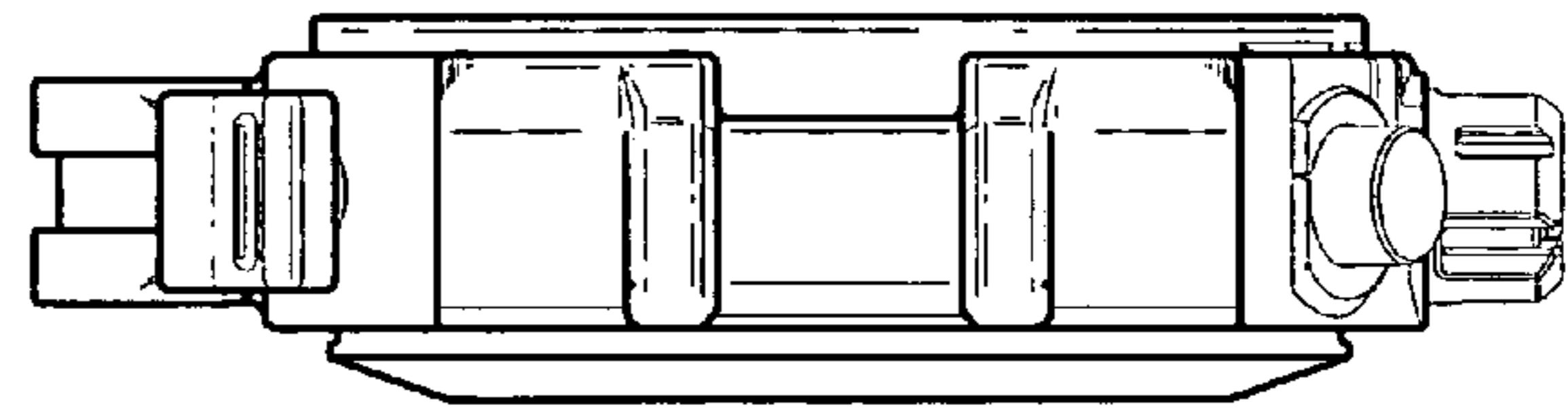


FIG. 7