



US00D610472S

(12) **United States Design Patent**  
**Nashimoto**

(10) **Patent No.:** **US D610,472 S**

(45) **Date of Patent:** **\*\* Feb. 23, 2010**

(54) **WRIST WATCH**

(75) Inventor: **Mahito Nashimoto**, Asnières sur Seine (FR)

(73) Assignee: **Swarovski Aktiengesellschaft**, Triesen (LI)

(\*\*) Term: **14 Years**

(21) Appl. No.: **29/338,855**

(22) Filed: **Jun. 19, 2009**

(30) **Foreign Application Priority Data**

Dec. 22, 2008 (EM) ..... 001060966-0006

(51) **LOC (9) Cl.** ..... **10-02**

(52) **U.S. Cl.** ..... **D10/32**

(58) **Field of Classification Search** ..... D10/30-39;  
368/276, 281, 282, 285, 308, 319; D11/3,  
D11/12

See application file for complete search history.

(56) **References Cited**

**U.S. PATENT DOCUMENTS**

4,706,857	A *	11/1987	Aellen et al.	.....	224/164
4,855,973	A *	8/1989	Crocco	.....	368/282
D312,587	S *	12/1990	Bulgari	.....	D10/32
D314,153	S *	1/1991	Ratajski	.....	D10/32
D324,828	S *	3/1992	Wunderman	.....	D10/32
D326,822	S *	6/1992	Wuest	.....	D10/32
D349,468	S *	8/1994	Souren	.....	D11/3
D371,745	S *	7/1996	Wunderman	.....	D10/32

D407,342	S *	3/1999	Ishizaka	.....	D11/3
D407,990	S *	4/1999	Akagi	.....	D11/3
D409,940	S *	5/1999	Spandrio et al.	.....	D11/3
D473,473	S *	4/2003	Wunderman	.....	D10/32
D508,859	S *	8/2005	Ho	.....	D10/30
D521,394	S *	5/2006	Tang	.....	D10/30
D549,113	S *	8/2007	Duong	.....	D10/32
D562,704	S *	2/2008	Lalo	.....	D10/32
D562,723	S *	2/2008	Lalo	.....	D11/94
D563,256	S *	3/2008	Borraccino et al.	.....	D11/3
D568,175	S *	5/2008	Martinez et al.	.....	D10/32
D586,238	S *	2/2009	Loth	.....	D10/32
D586,239	S *	2/2009	Modolo	.....	D10/32

\* cited by examiner

*Primary Examiner*—Lucy Lieberman

(74) *Attorney, Agent, or Firm*—Wenderoth, Lind & Ponack, L.L.P.

(57) **CLAIM**

The ornamental design for a wrist watch, as shown.

**DESCRIPTION**

FIG. 1 is a front elevation of a wrist watch showing my new design;

FIG. 2 is a left side view thereof;

FIG. 3 is a top view thereof;

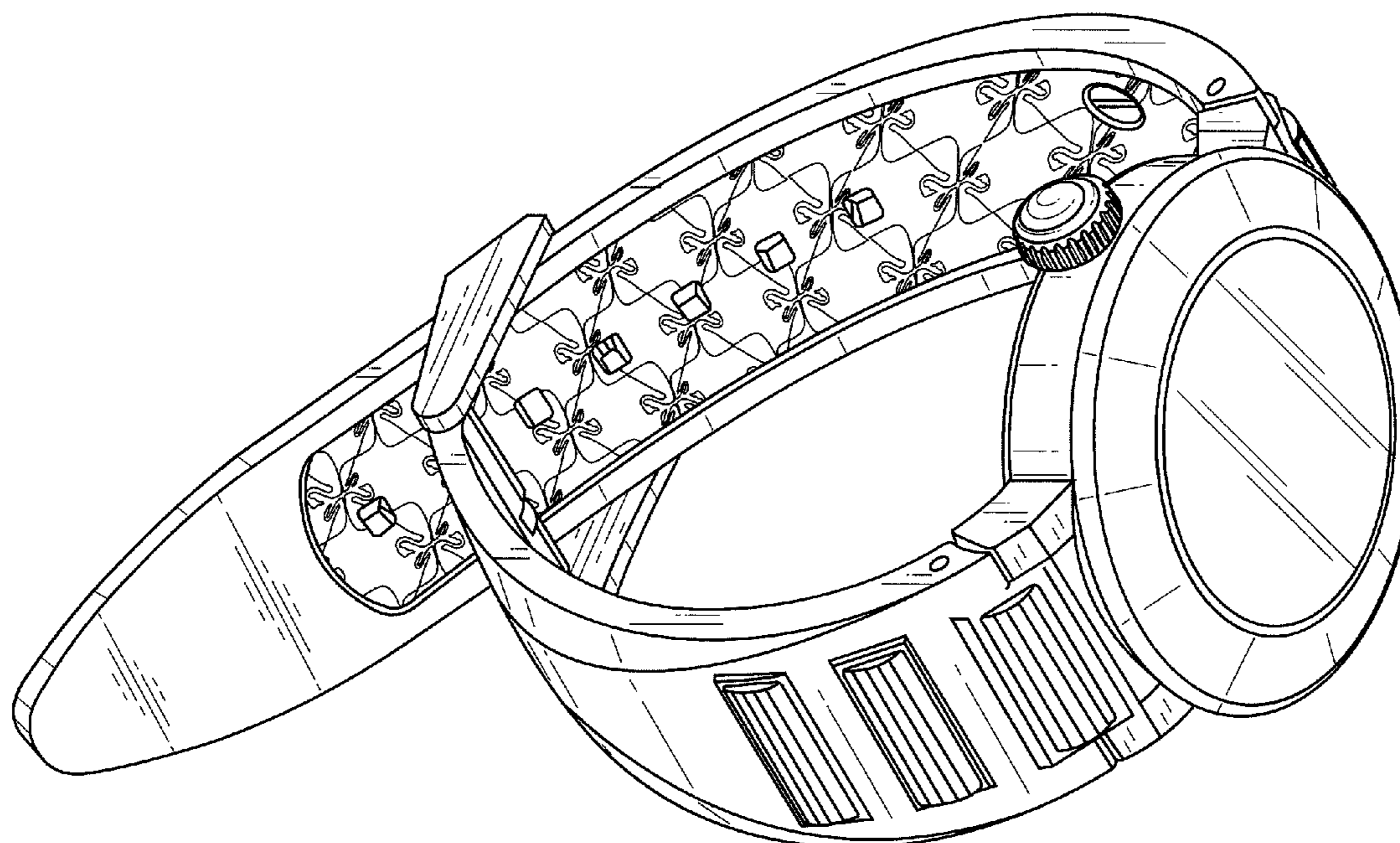
FIG. 4 is a bottom view thereof;

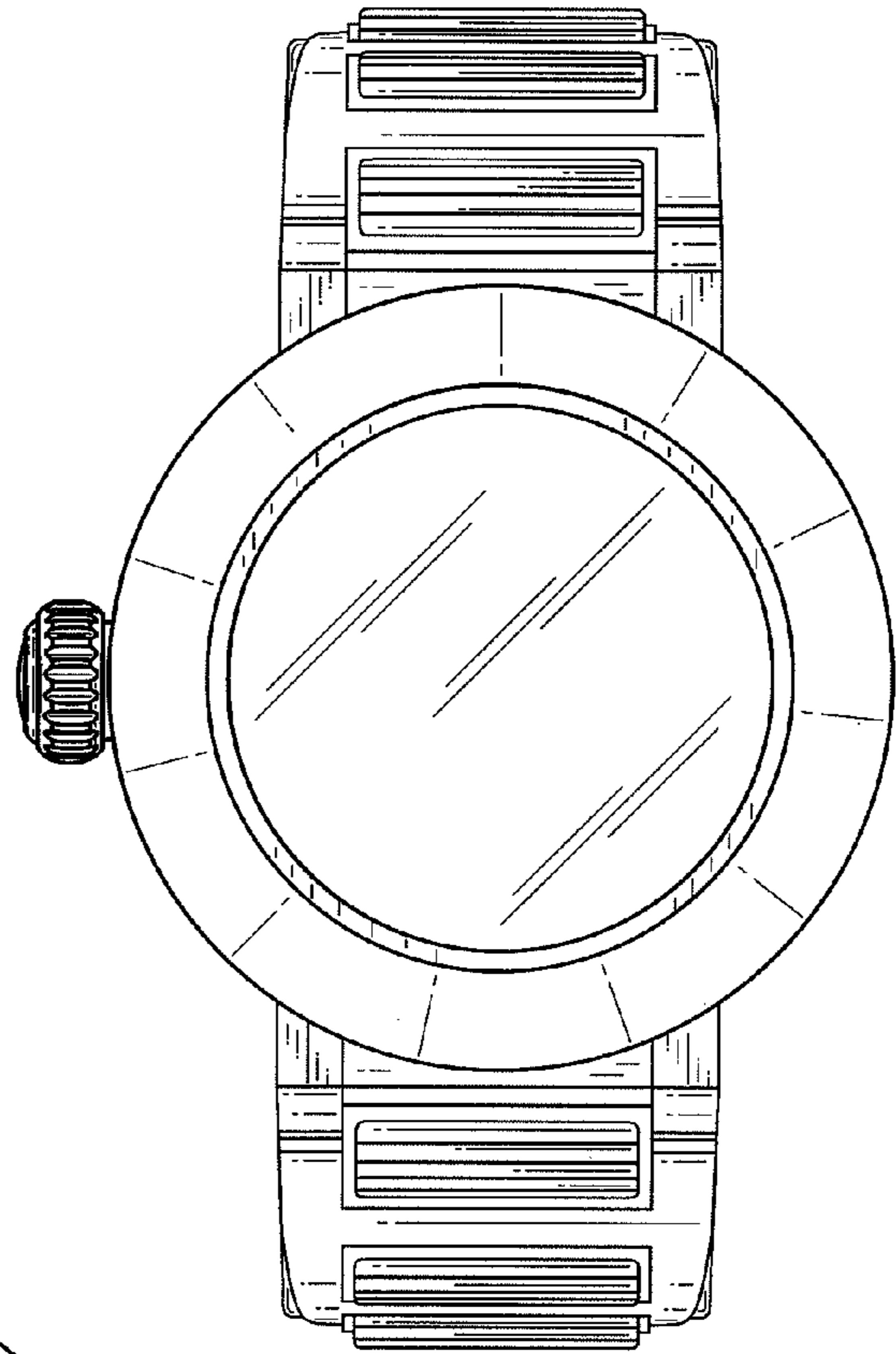
FIG. 5 is a rear view thereof;

FIG. 6 is a right side view thereof; and,

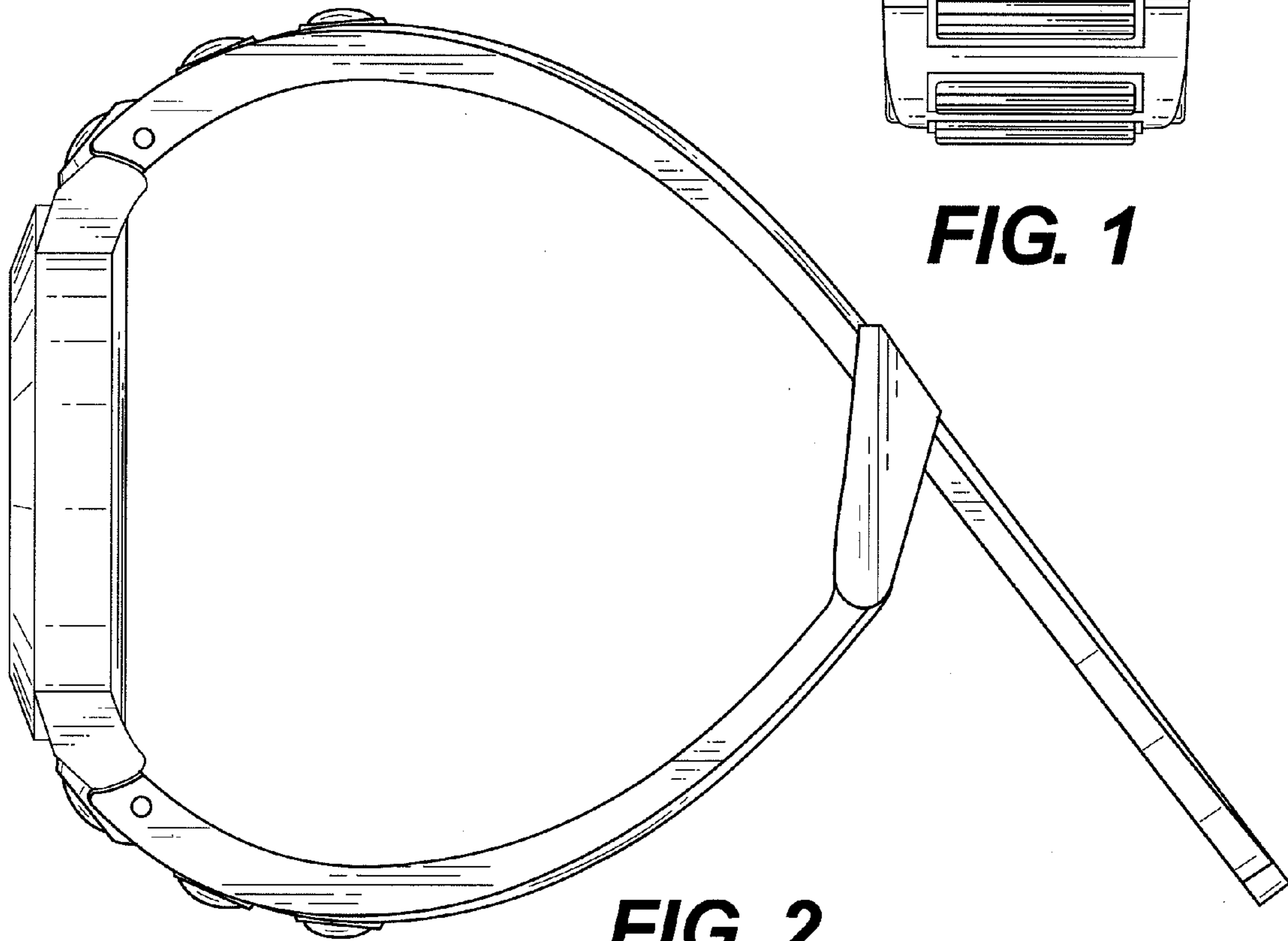
FIG. 7 is a perspective view thereof.

**1 Claim, 4 Drawing Sheets**

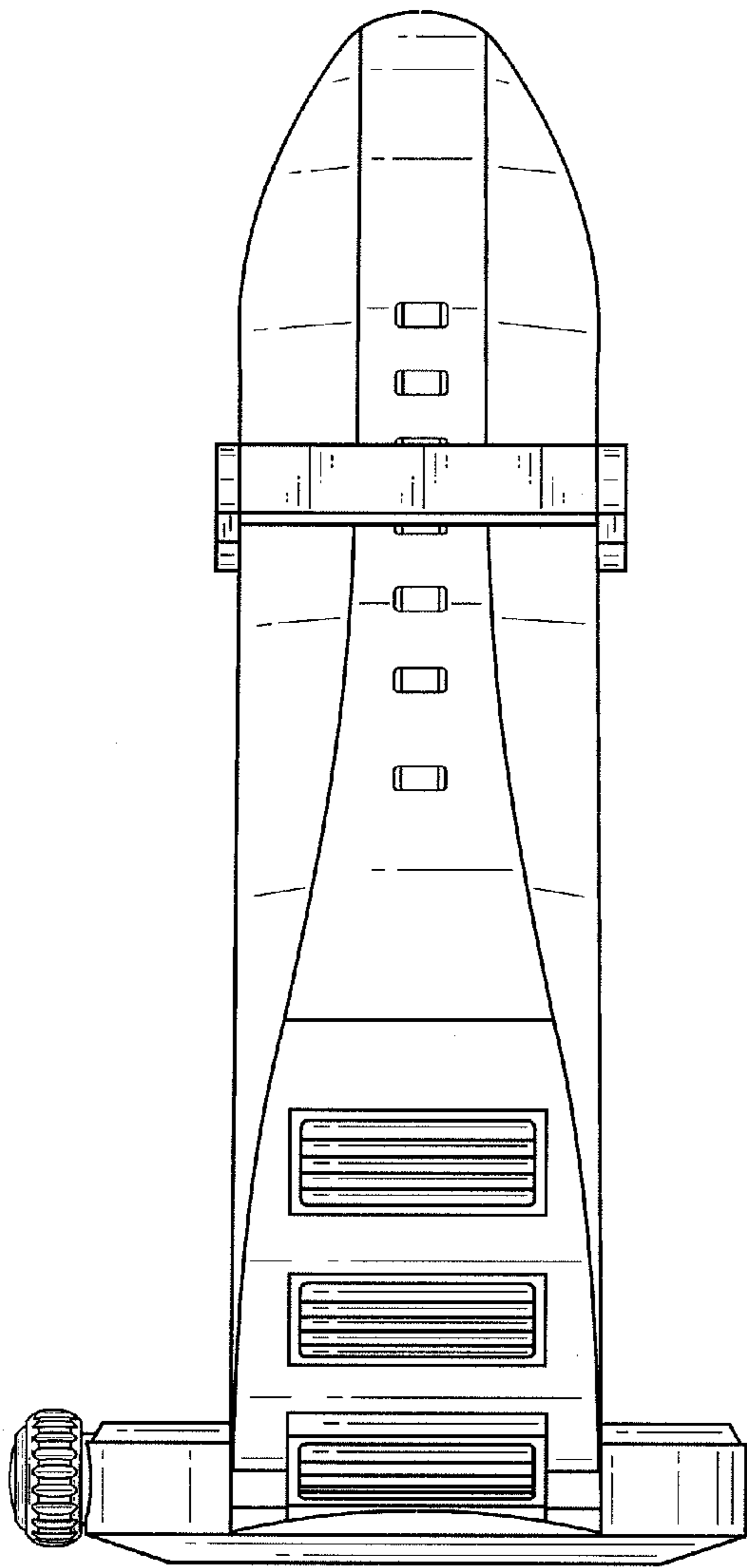




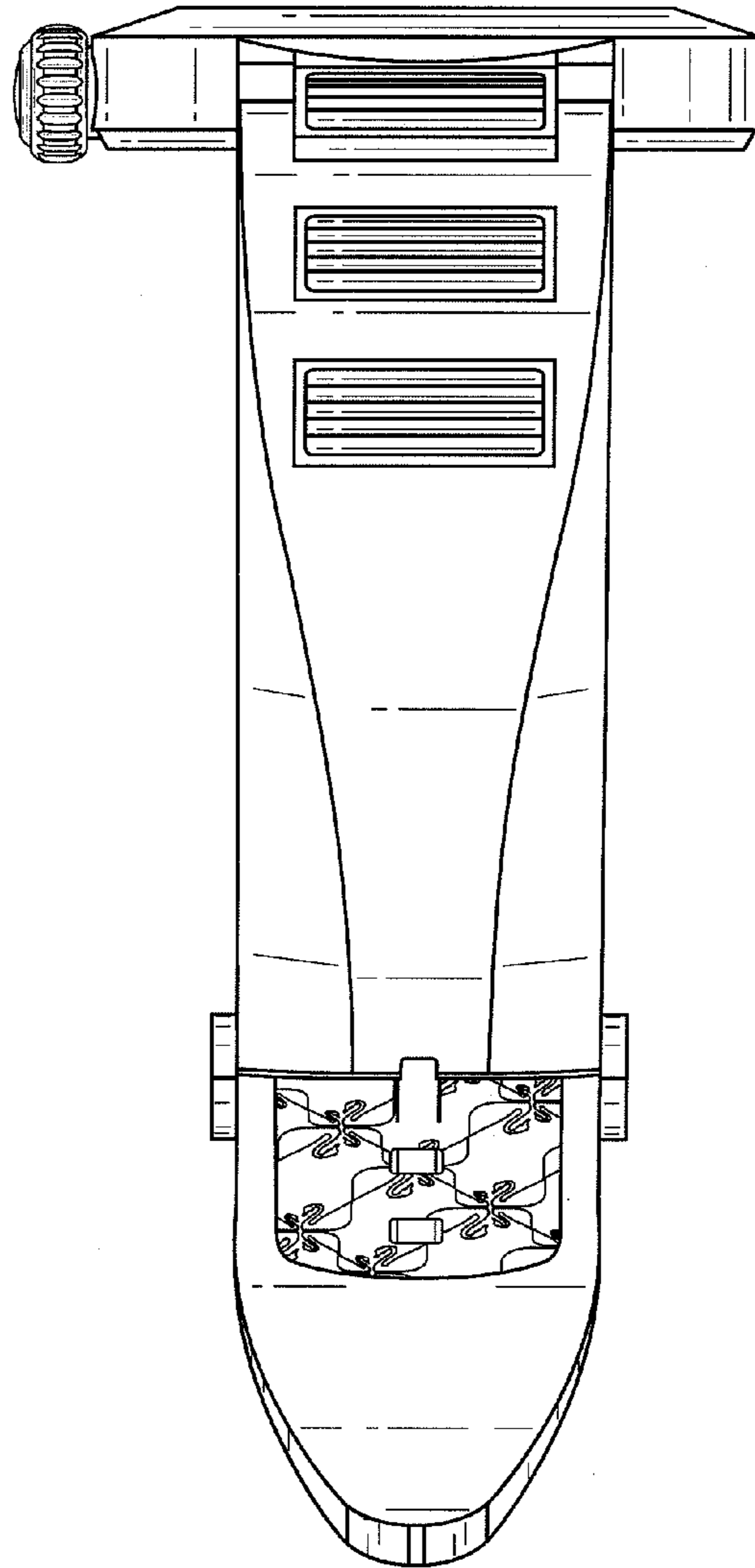
**FIG. 1**



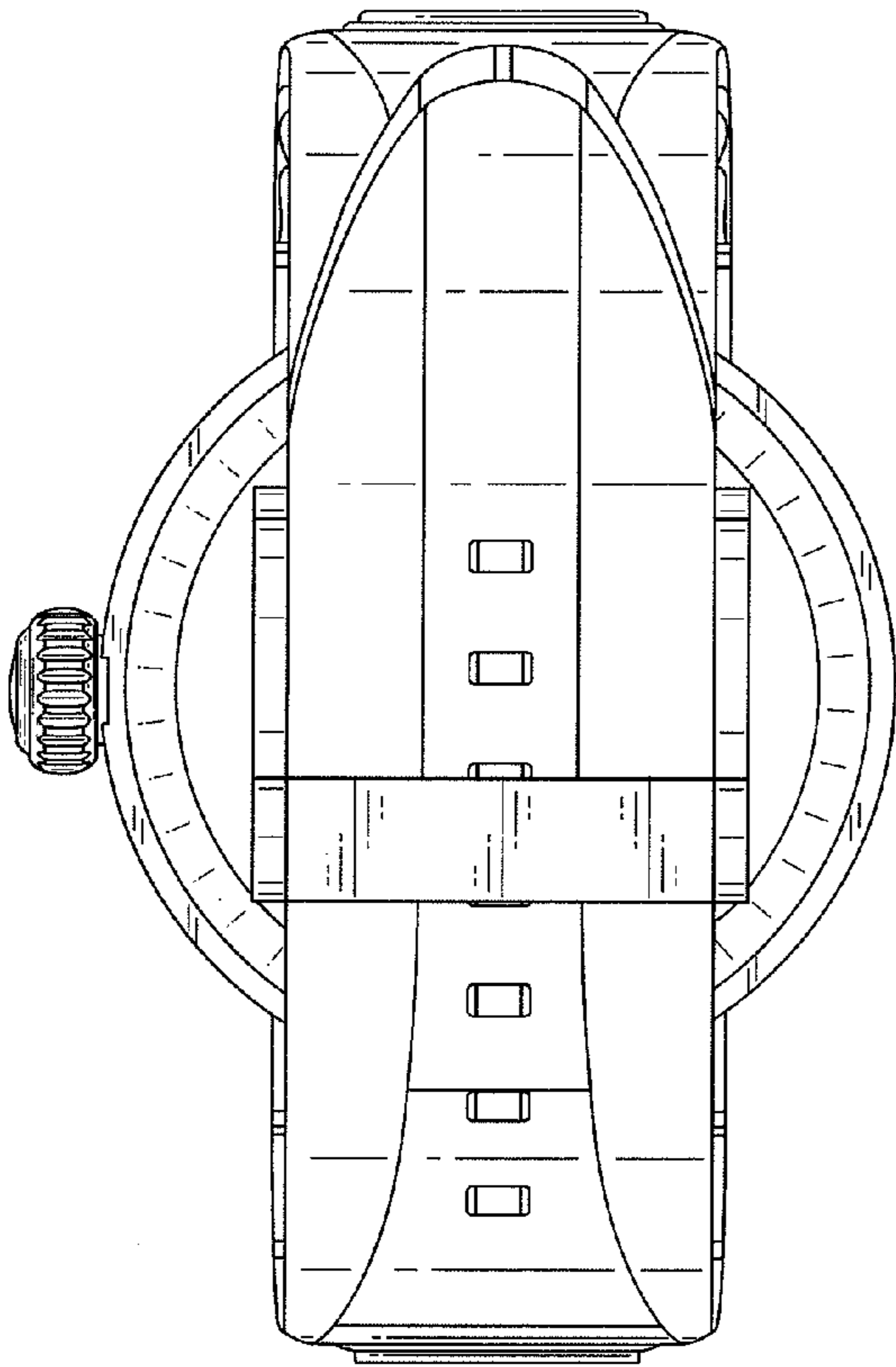
**FIG. 2**



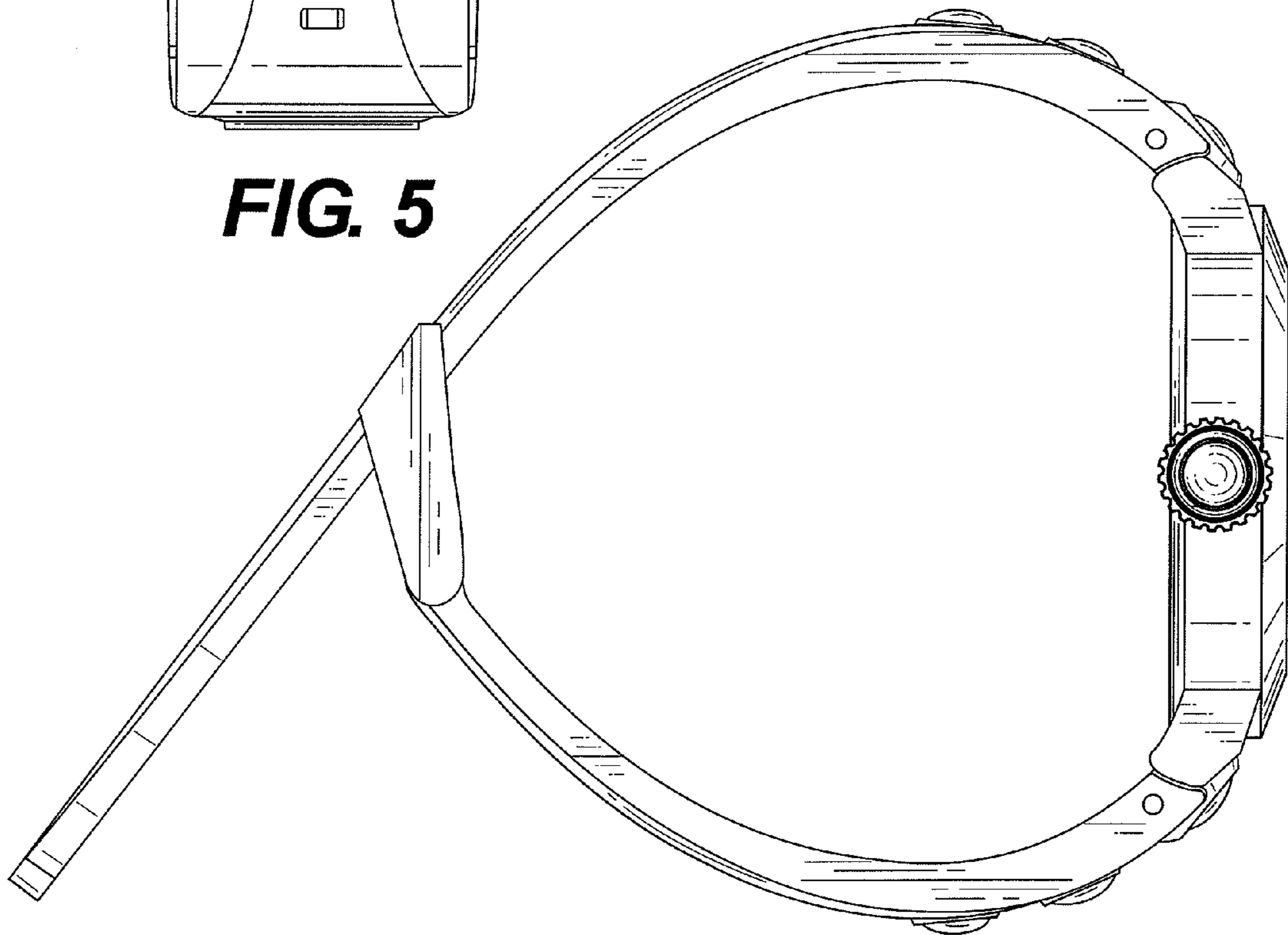
**FIG. 3**



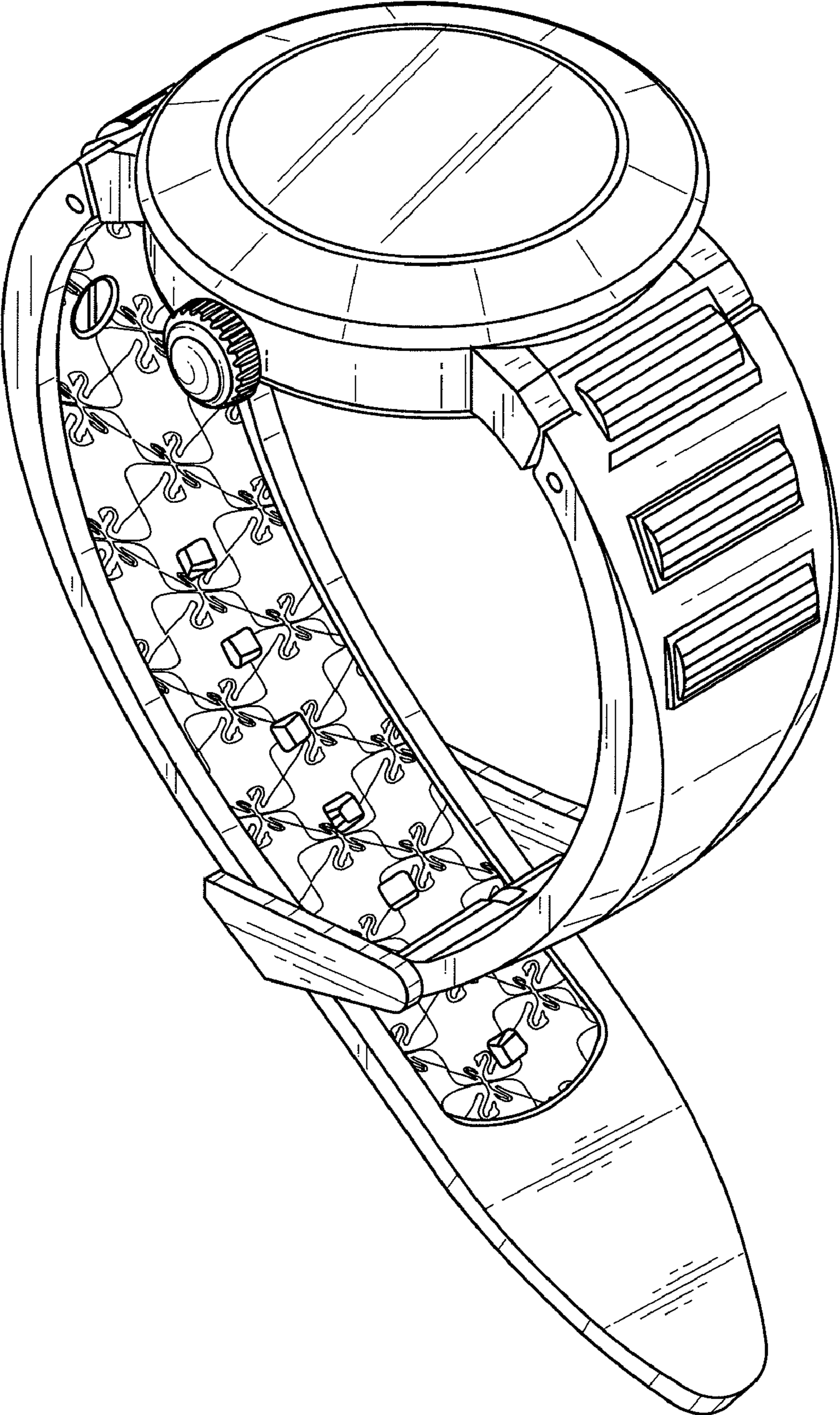
**FIG. 4**



**FIG. 5**



**FIG. 6**



**FIG. 7**