



US00D610464S

(12) **United States Design Patent**  
**Domingues et al.**

(10) **Patent No.:** **US D610,464 S**

(45) **Date of Patent:** **\*\* Feb. 23, 2010**

(54) **PACKAGED DOUGH PRODUCTS**

(75) Inventors: **David J. Domingues**, Plymouth, MN (US); **Susan Hall**, New Hope, MN (US); **David A. Kirk**, Coon Rapids, MN (US); **Scott Kackman**, New Hope, MN (US)

(73) Assignee: **General Mills Marketing, Inc.**, Minneapolis, MN (US)

(\*\*) Term: **14 Years**

(21) Appl. No.: **29/310,604**

(22) Filed: **Aug. 28, 2008**

(51) **LOC (9) Cl.** ..... **09-05**

(52) **U.S. Cl.** ..... **D9/702**

(58) **Field of Classification Search** ..... D9/416,  
D9/425, 418, 737, 730, 732, 733, 734, 757,  
D9/759, 761, 424, 430, 432, 414, 702, 711,  
D9/713; 206/223, 438, 484, 499, 525, 526,  
206/528, 532, 820, 830; 426/128; 229/406,  
229/905, 906, 245, 927, 125.015, 123.1,  
229/123.2; 428/515; 220/507, 62.13, DIG. 12,  
220/657, 659

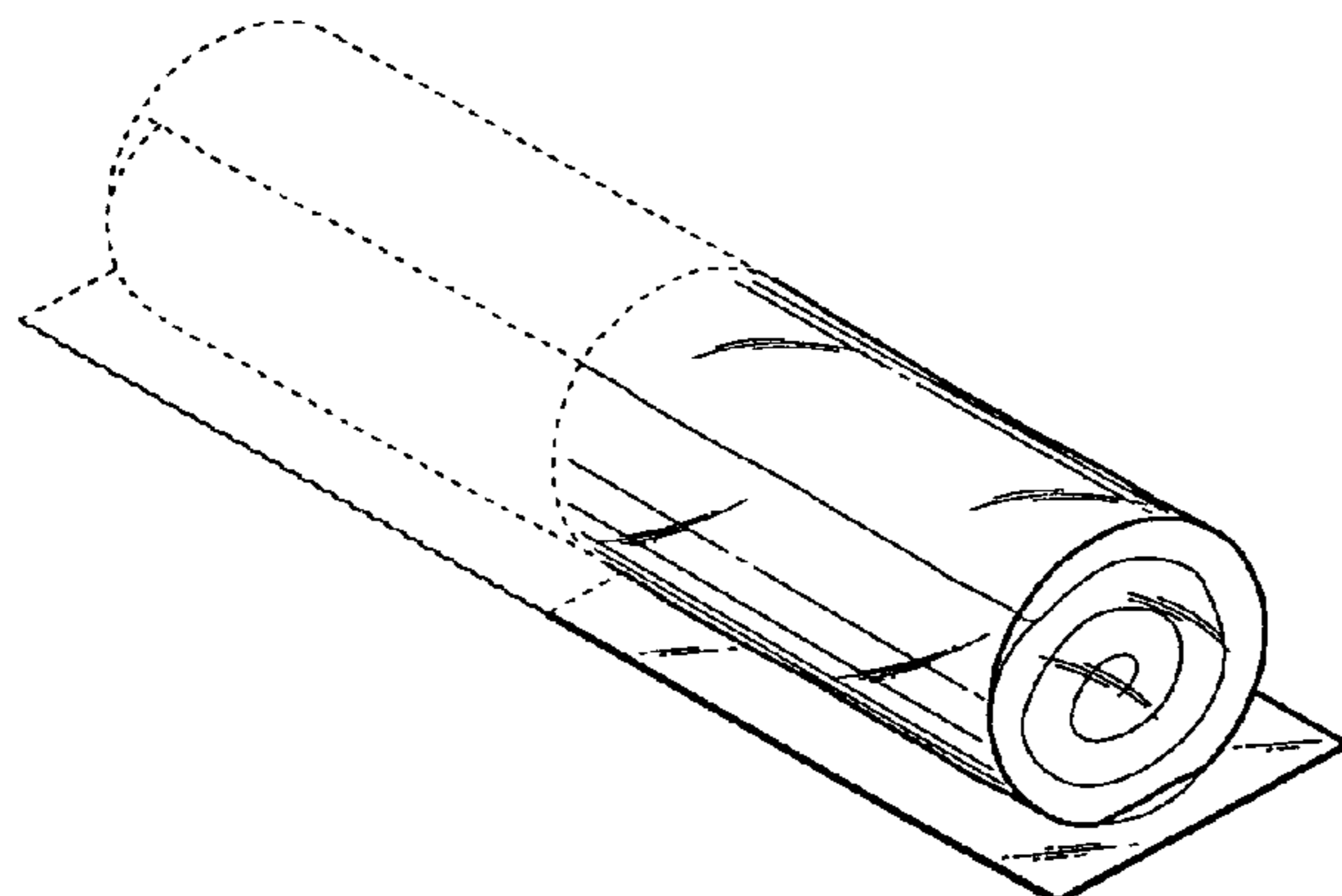
See application file for complete search history.

(56) **References Cited**

**U.S. PATENT DOCUMENTS**

1,811,772 A \* 6/1931 Willoughby ..... 426/8  
3,385,503 A \* 5/1968 Stump ..... 229/120.32  
D211,449 S \* 6/1968 Seiferth et al. .... D9/415  
3,510,050 A \* 5/1970 Culley et al. .... 229/202  
3,712,534 A \* 1/1973 Fienup et al. .... 229/202  
3,851,757 A \* 12/1974 Turpin ..... 206/568  
D349,456 S \* 8/1994 Wilson ..... D9/737  
6,109,470 A \* 8/2000 Antal et al. .... 220/505  
6,306,472 B1 10/2001 Buelow  
6,602,529 B1 8/2003 Lonergan et al.

(Continued)



**FOREIGN PATENT DOCUMENTS**

WO WO 1999/054120 10/1999

(Continued)

*Primary Examiner*—Caron Veynar

*Assistant Examiner*—Abraham Bahta

(74) *Attorney, Agent, or Firm*—Arlene Hornilla; Kevin Hubbard

(57) **CLAIM**

The ornamental design for packaged dough products, as shown and described.

**DESCRIPTION**

FIG. 1 is a perspective view of a first embodiment of a packaged dough product of the present design;

FIG. 2 is a front view of the packaged dough product of FIG. 1;

FIG. 3 is a top view of the packaged dough product of FIG. 1; FIG. 4 is a bottom view of the packaged dough product of FIG. 1;

FIG. 5 is a side view of the packaged dough product of FIG. 1;

FIG. 6 is a perspective view of a second embodiment of a packaged dough product of the present design;

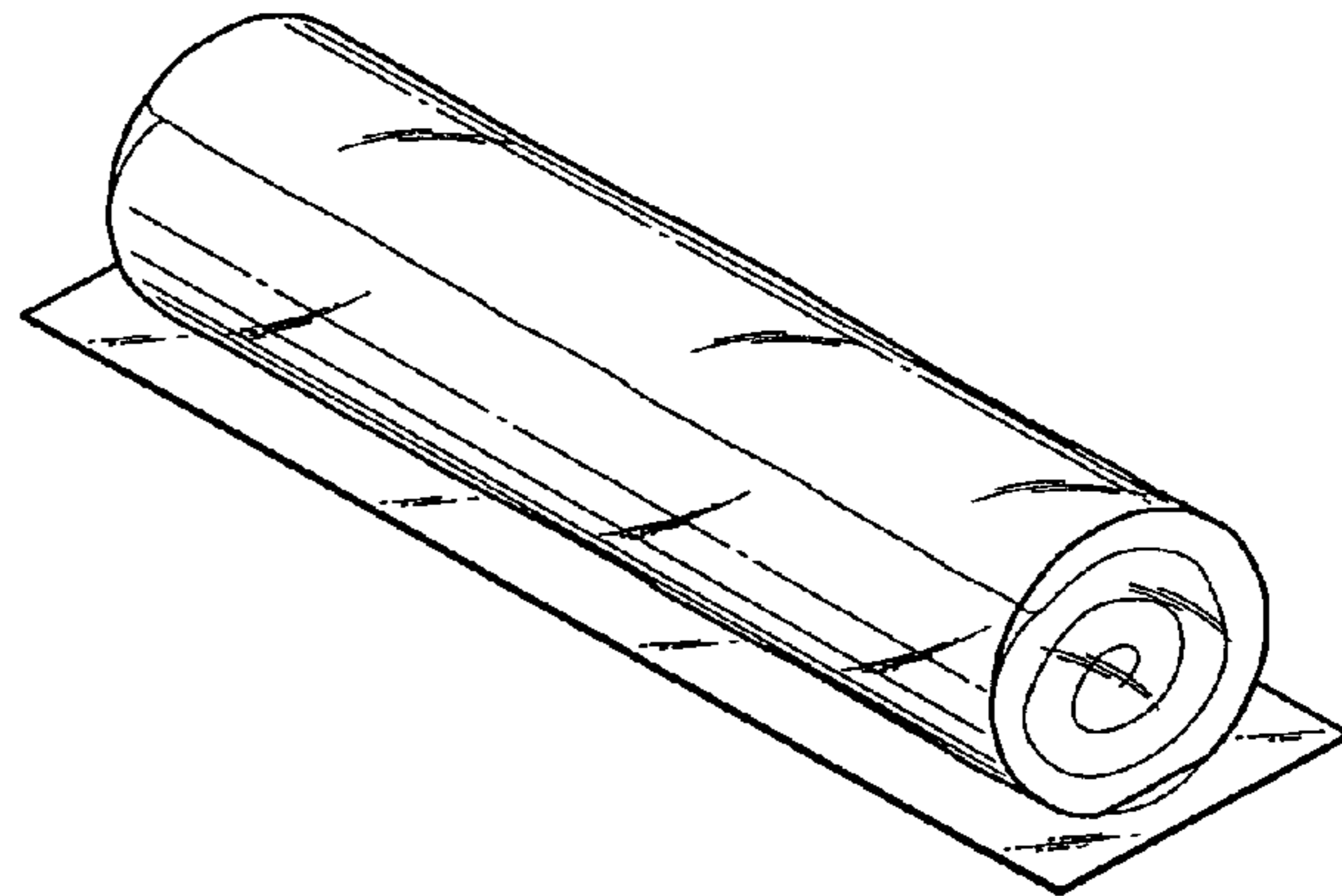
FIG. 7 is a front view of the packaged dough product of FIG. 6;

FIG. 8 is a top view of the packaged dough product of FIG. 6; FIG. 9 is a bottom view of the packaged dough product of FIG. 6; and,

FIG. 10 is a side view of the packaged dough product of FIG. 6.

The broken line portions of the drawings are for illustrative purposes only and form no part of the claimed design.

**1 Claim, 4 Drawing Sheets**



# US D610,464 S

Page 2

---

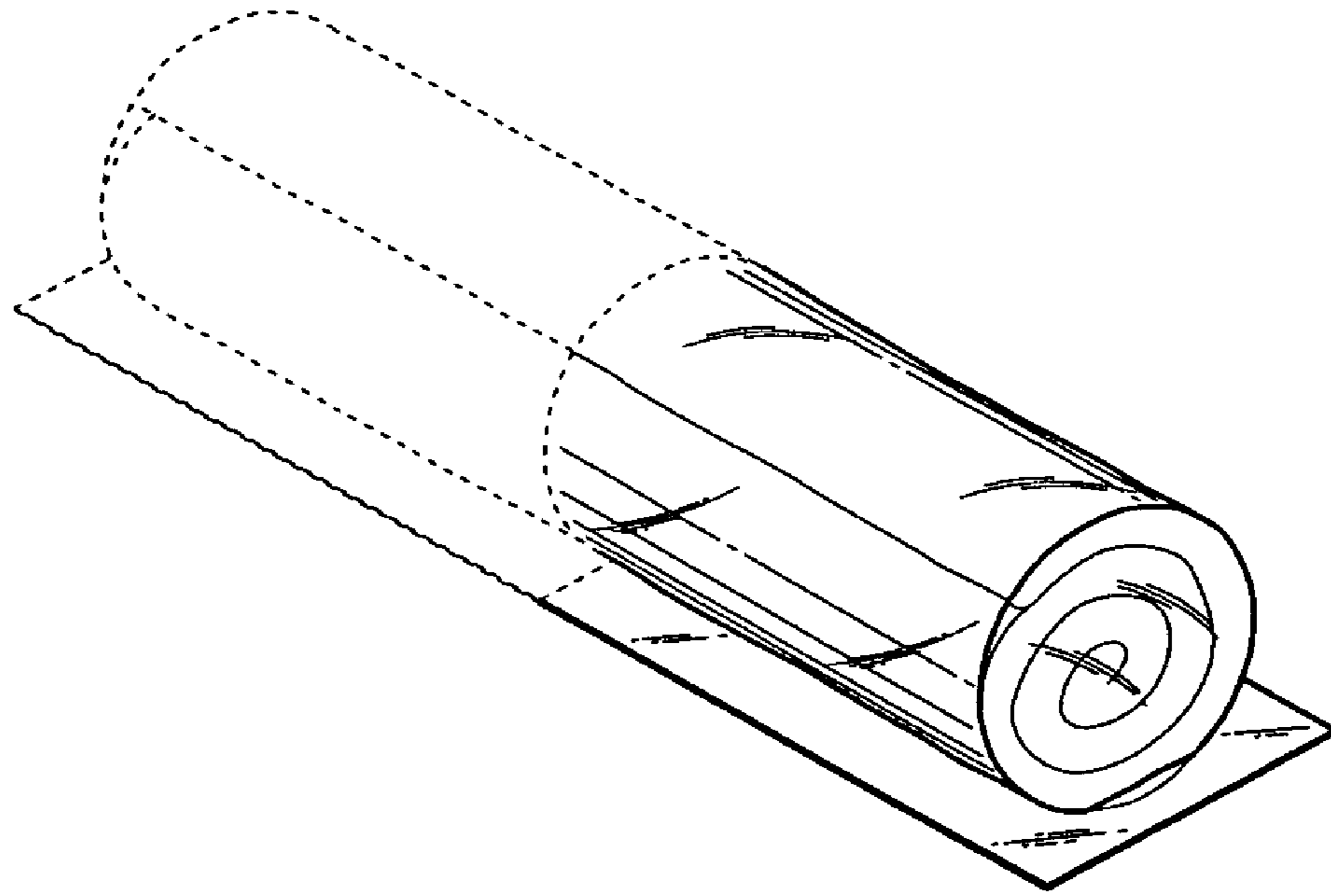
## U.S. PATENT DOCUMENTS

D560,490 S 1/2008 Kirk et al.  
D579,768 S \* 11/2008 Kirk et al. .... D9/416  
D590,246 S \* 4/2009 Kirk et al. .... D9/416  
2007/0087212 A1 4/2007 Iyengar et al.

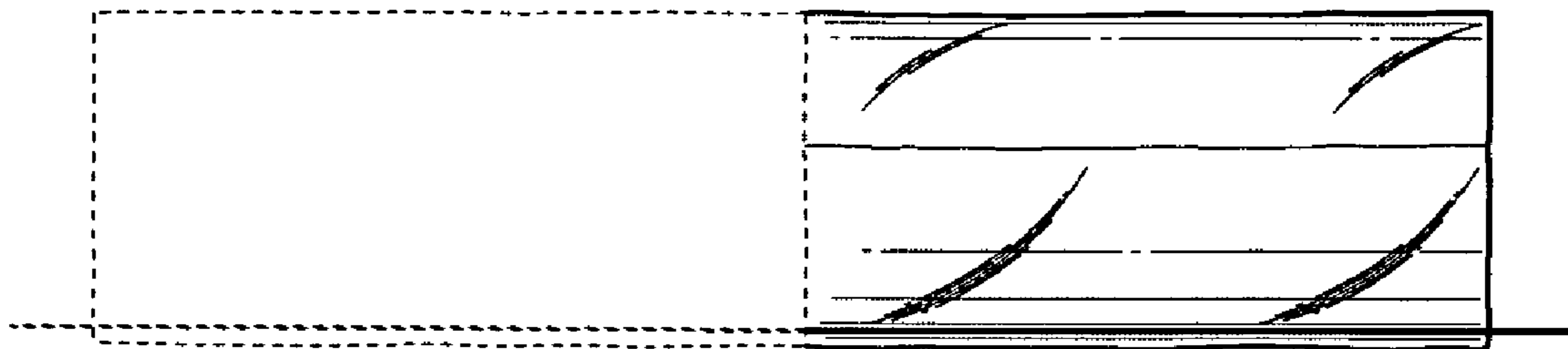
## FOREIGN PATENT DOCUMENTS

WO WO 2006/007239 1/2006  
WO WO 2007/021665 2/2007  
WO WO 2008/008804 1/2008

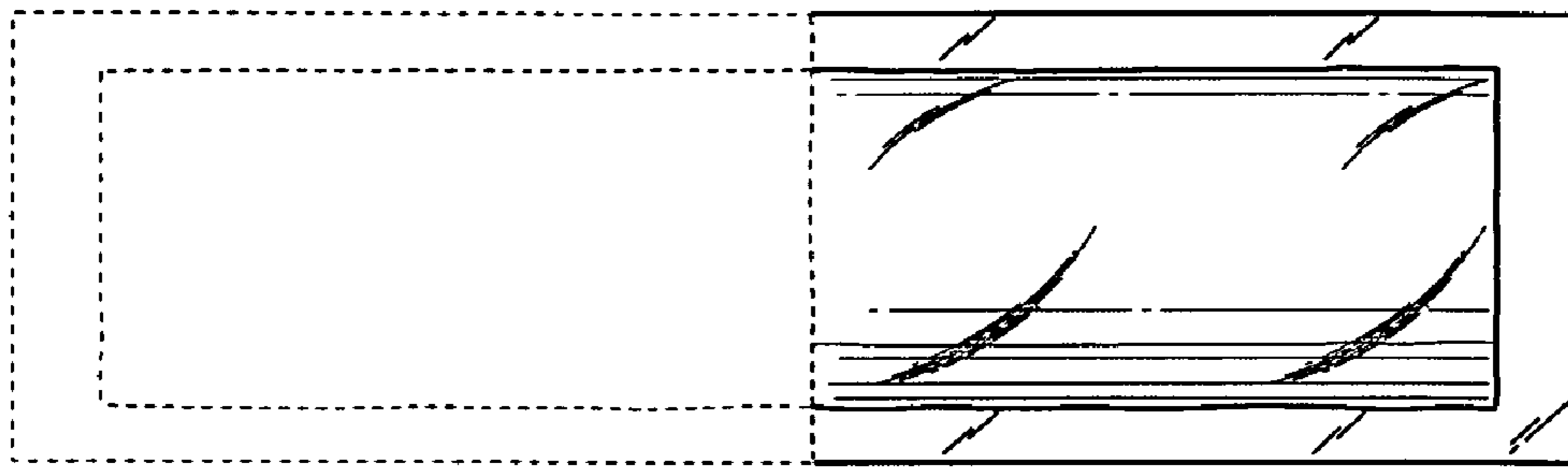
\* cited by examiner



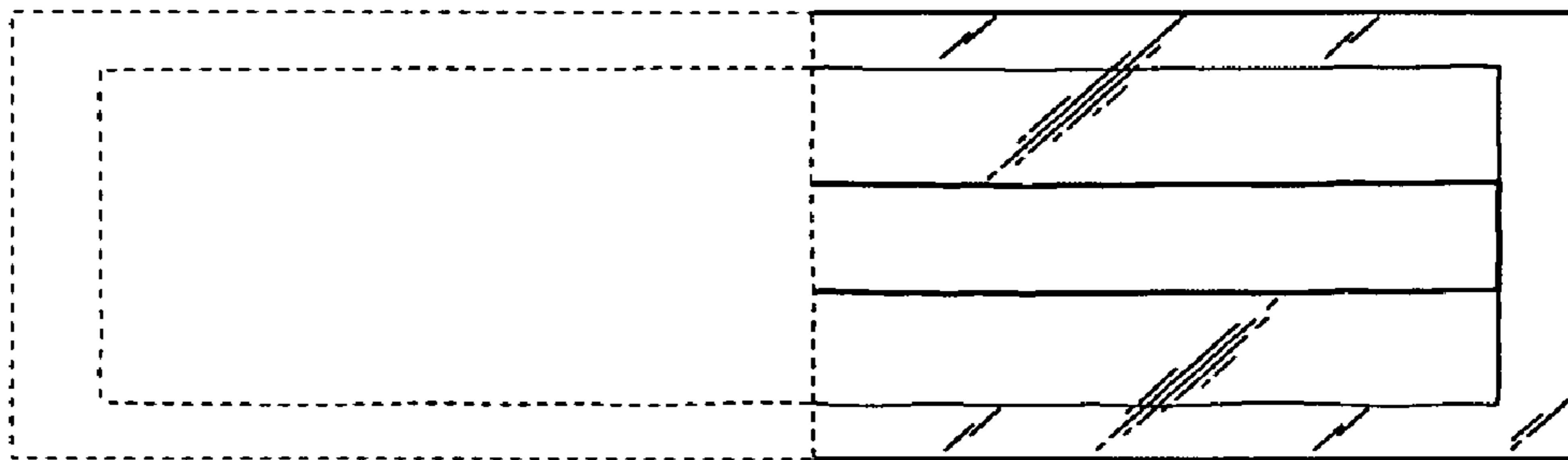
**Fig. 1**



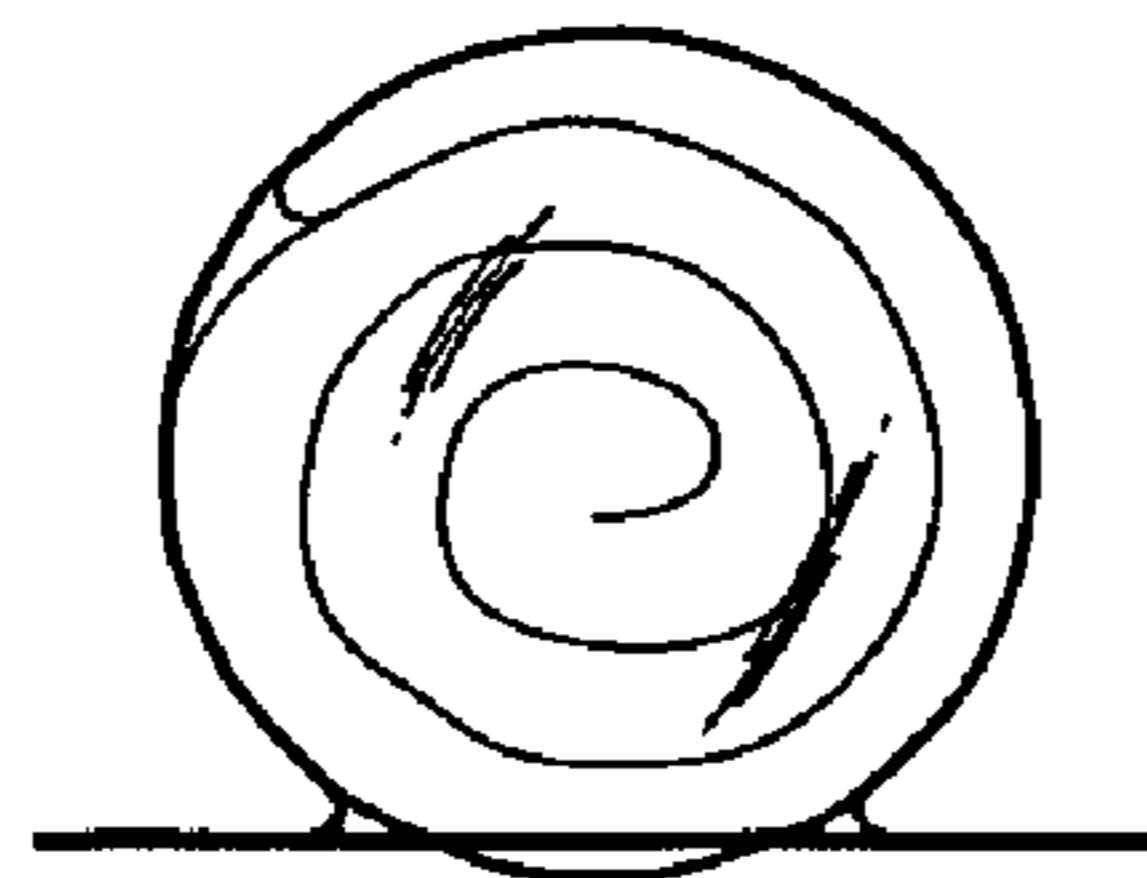
**Fig. 2**



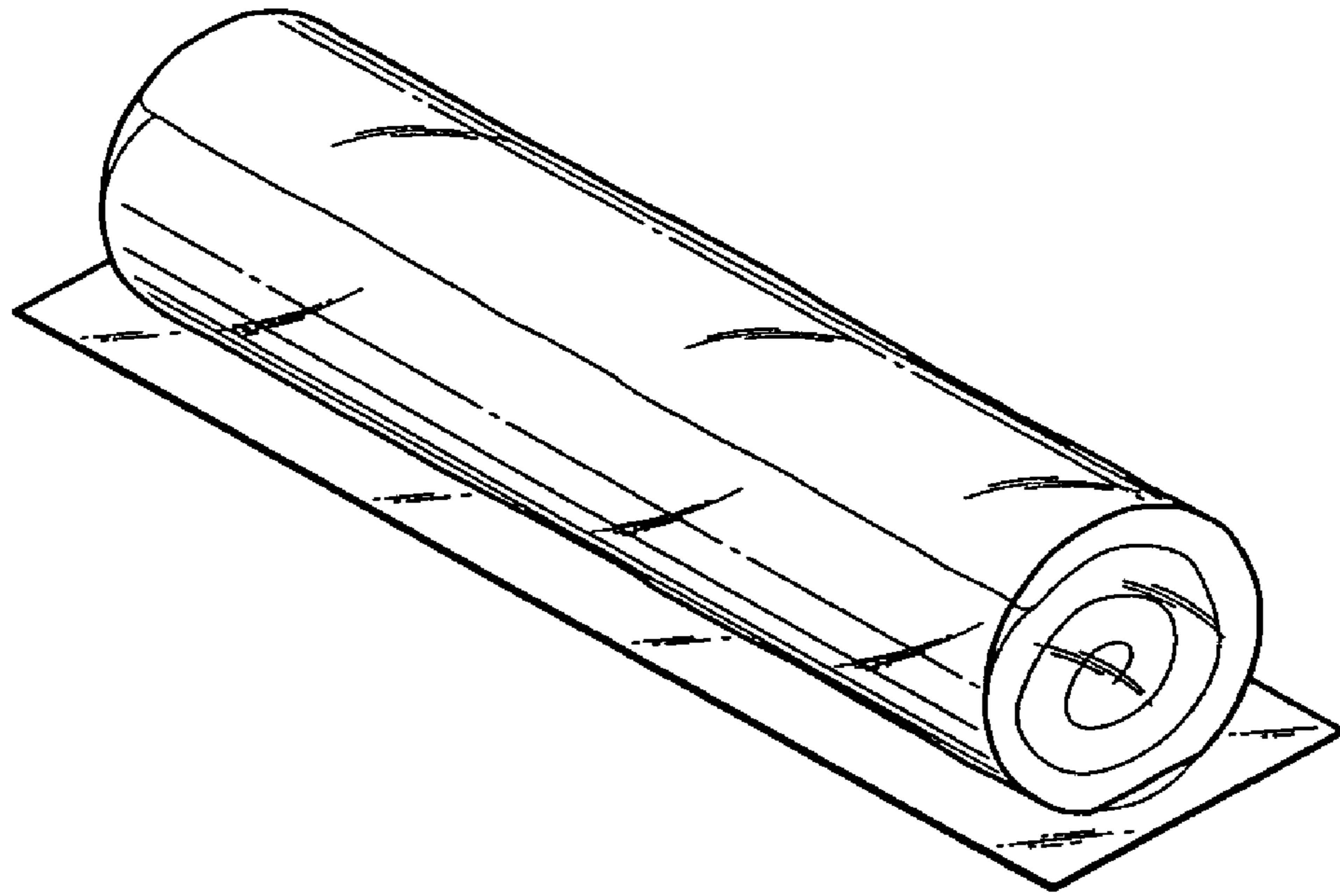
**Fig. 3**



**Fig. 4**



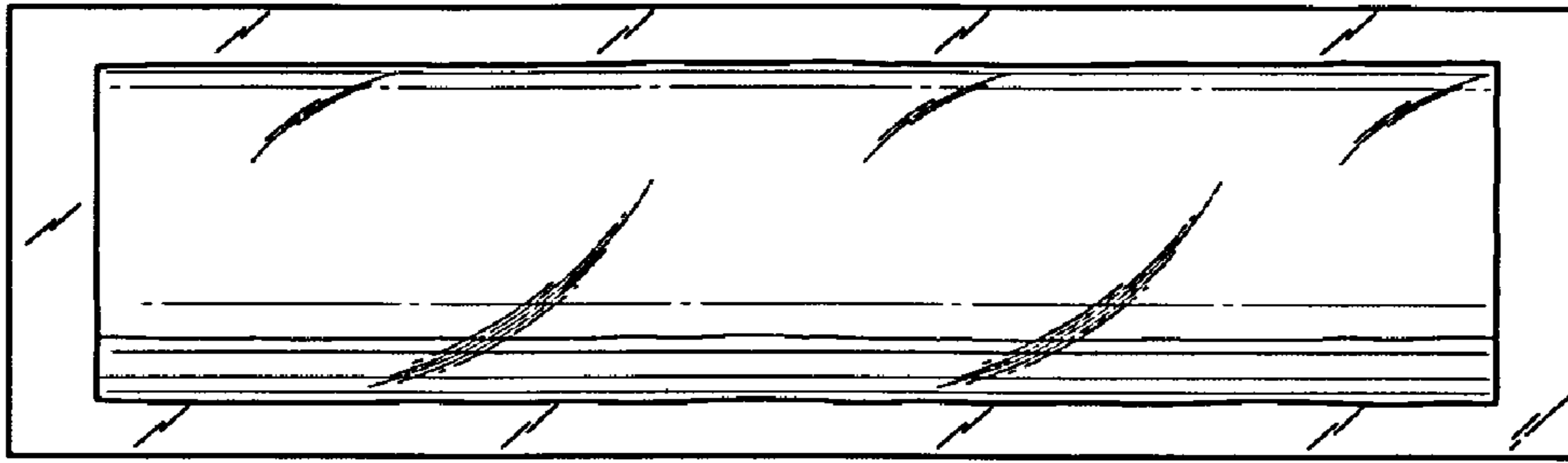
**Fig. 5**



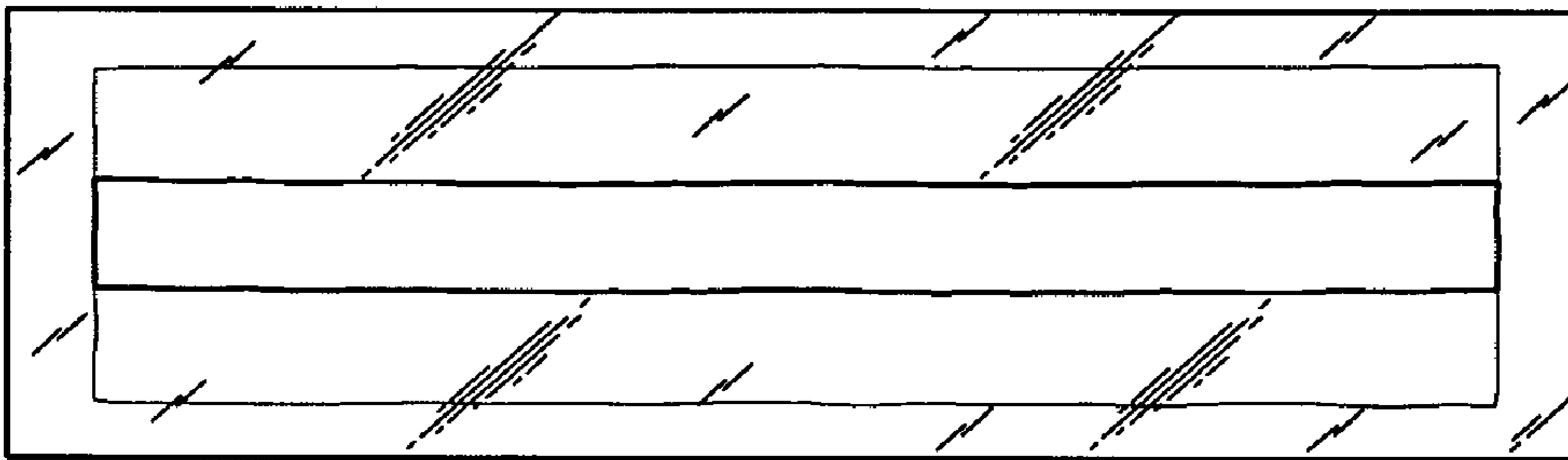
**Fig. 6**



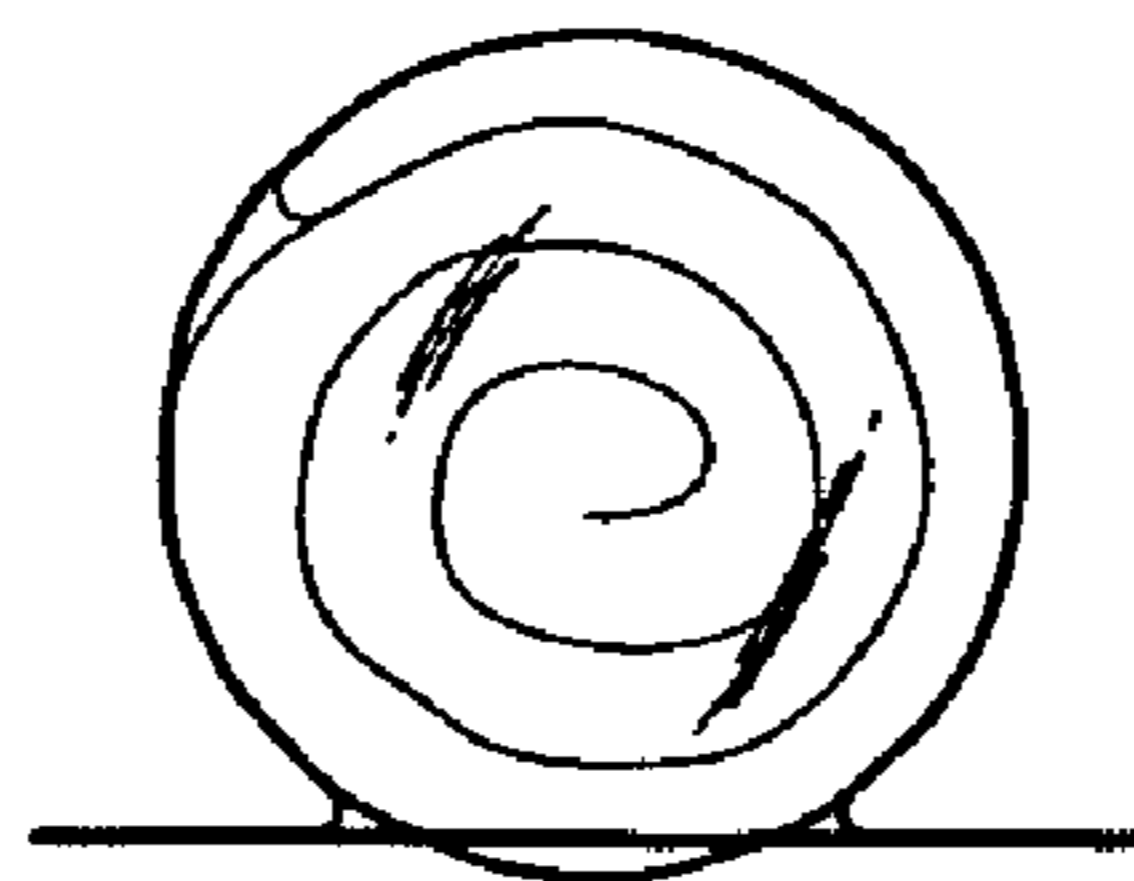
**Fig. 7**



**Fig. 8**



**Fig. 9**



**Fig. 10**