



US00D610454S

(12) **United States Design Patent**  
**Lohrman et al.**

(10) **Patent No.:** **US D610,454 S**

(45) **Date of Patent:** **\*\* Feb. 23, 2010**

(54) **DISPENSING CLOSURE**

D588,915 S \* 3/2009 Lohrman et al. .... D9/449

(75) Inventors: **Richard D. Lohrman**, Aurora, IL (US);  
**Mike Xiaoli Ma**, San Jose, CA (US);  
**Limin Zhang**, Shanghai (CN)

\* cited by examiner

*Primary Examiner*—Susan Bennett Hattan  
(74) *Attorney, Agent, or Firm*—James P. Hanrath; Adam K. Sacharoff

(73) Assignee: **Portola Packaging, Inc.**, Batavia, IL (US)

(57) **CLAIM**

(\*\*) Term: **14 Years**

The ornamental design for a dispensing closure, as shown and described.

(21) Appl. No.: **29/336,076**

**DESCRIPTION**

(22) Filed: **Apr. 28, 2009**

(51) **LOC (9) Cl.** ..... **09-07**

FIG. 1 is a perspective view of a dispensing closure in accordance with the invention shown with a top lid in the closed position;

(52) **U.S. Cl.** ..... **D9/449; D9/453**

FIG. 2 is a front view of the dispensing closure from FIG. 1;

(58) **Field of Classification Search** ..... D9/556,  
D9/529, 454, 453, 452, 449, 443, 439, 504,  
D9/450, 447, 446; D8/312; D7/392.1; D23/261;  
D14/217; D12/197; 229/123.1; 222/541.2,  
222/575, 566, 556, 552, 519, 494, 480, 479,  
222/212; 220/288, 810, 781; 215/350, 344,  
215/295, 270, 256, 252, 218, 216, 209, 206,  
215/235, 236

FIG. 3 is a back view of the dispensing closure from FIG. 1;

FIG. 4 is a right side view of the dispensing closure from FIG. 1;

See application file for complete search history.

FIG. 5 is a left side view of the dispensing closure from FIG. 1;

FIG. 6 is a top view of the dispensing closure from FIG. 1; and  
FIG. 7 is a perspective view of the dispensing closure of FIG. 1 shown with the top lid in the opened position;

(56) **References Cited**

**U.S. PATENT DOCUMENTS**

- D424,422 S \* 5/2000 Landhed ..... D9/521
- D525,136 S \* 7/2006 Bakic ..... D9/529
- D547,184 S \* 7/2007 Kim et al. .... D9/449
- D574,712 S \* 8/2008 Bakic ..... D9/529
- D582,772 S \* 12/2008 Bakic ..... D9/449

FIG. 8 is a front view of the dispensing closure from FIG. 7;

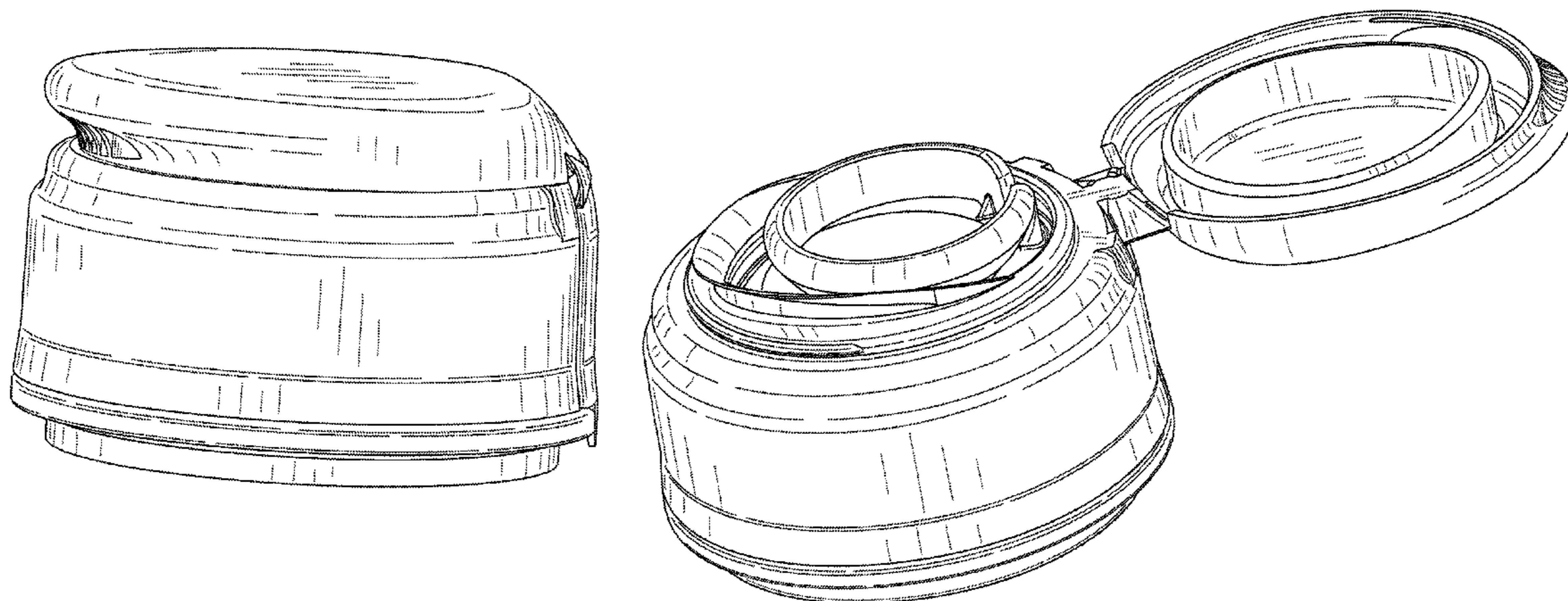
FIG. 9 is a back view of the dispensing closure from FIG. 7;

FIG. 10 is a right side view of the dispensing closure from FIG. 7;

FIG. 11 is a left side view of the dispensing closure from FIG. 7; and,

FIG. 12 is a top view of the dispensing closure from FIG. 7.

**1 Claim, 9 Drawing Sheets**



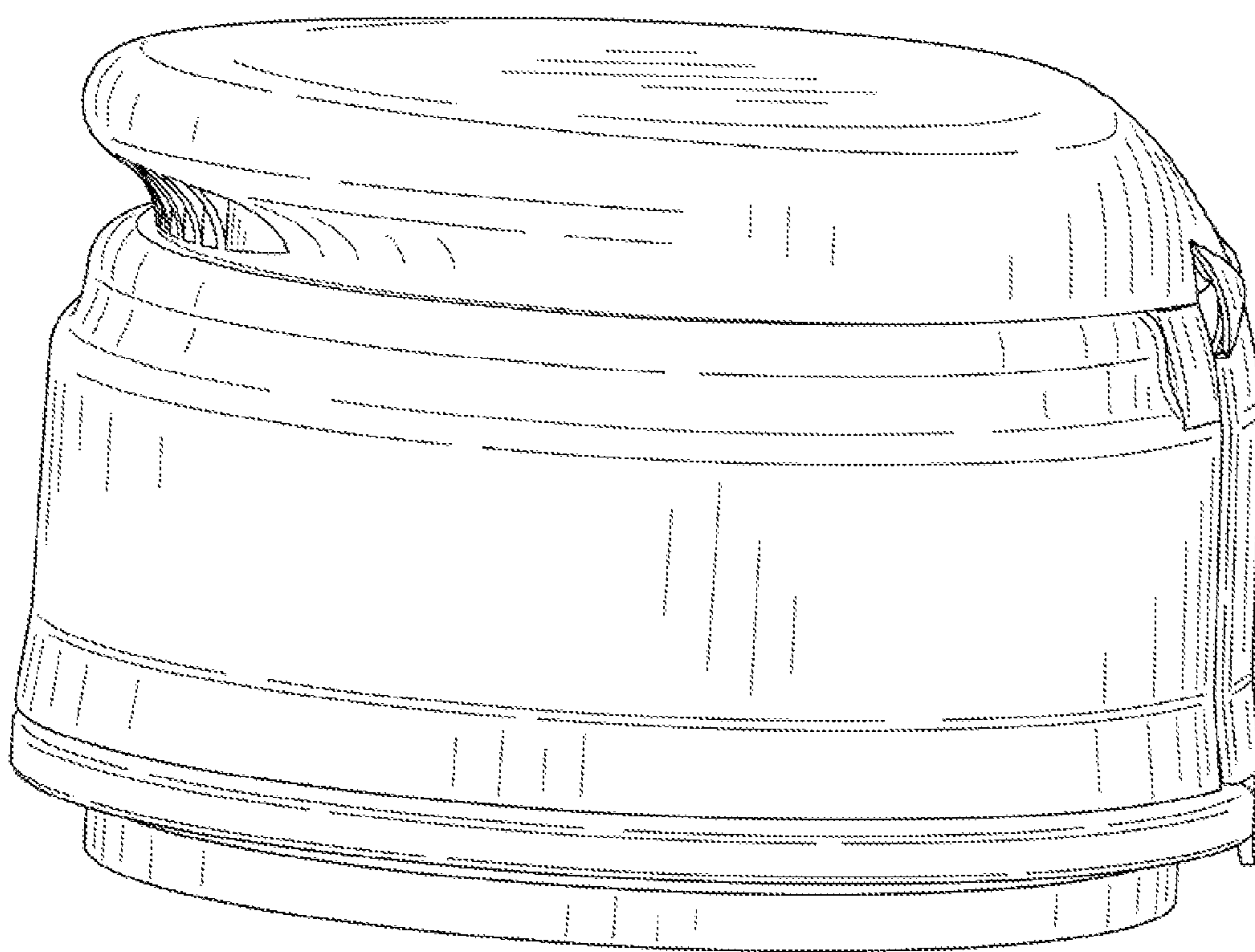


FIG. 1

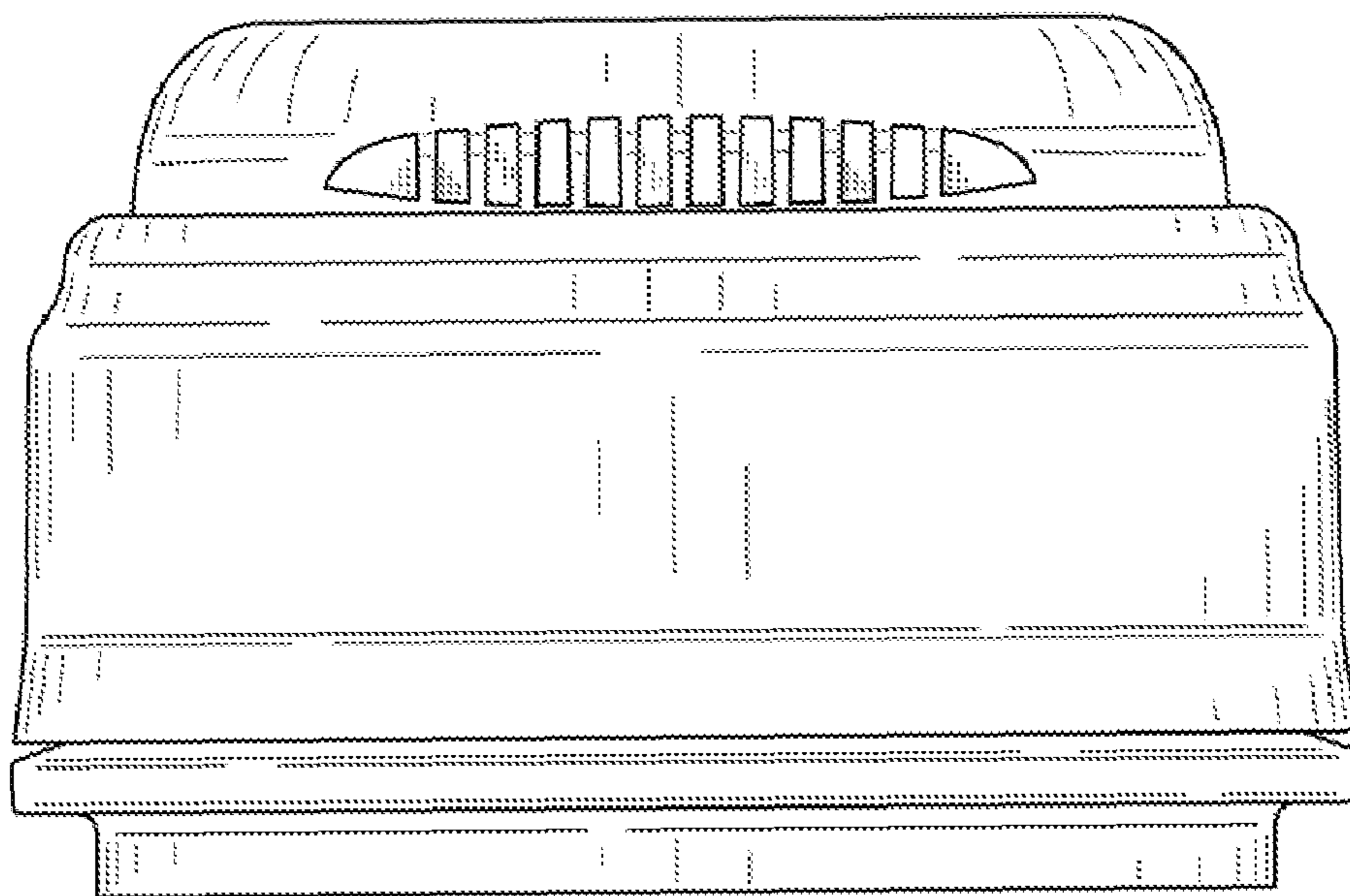


FIG. 2

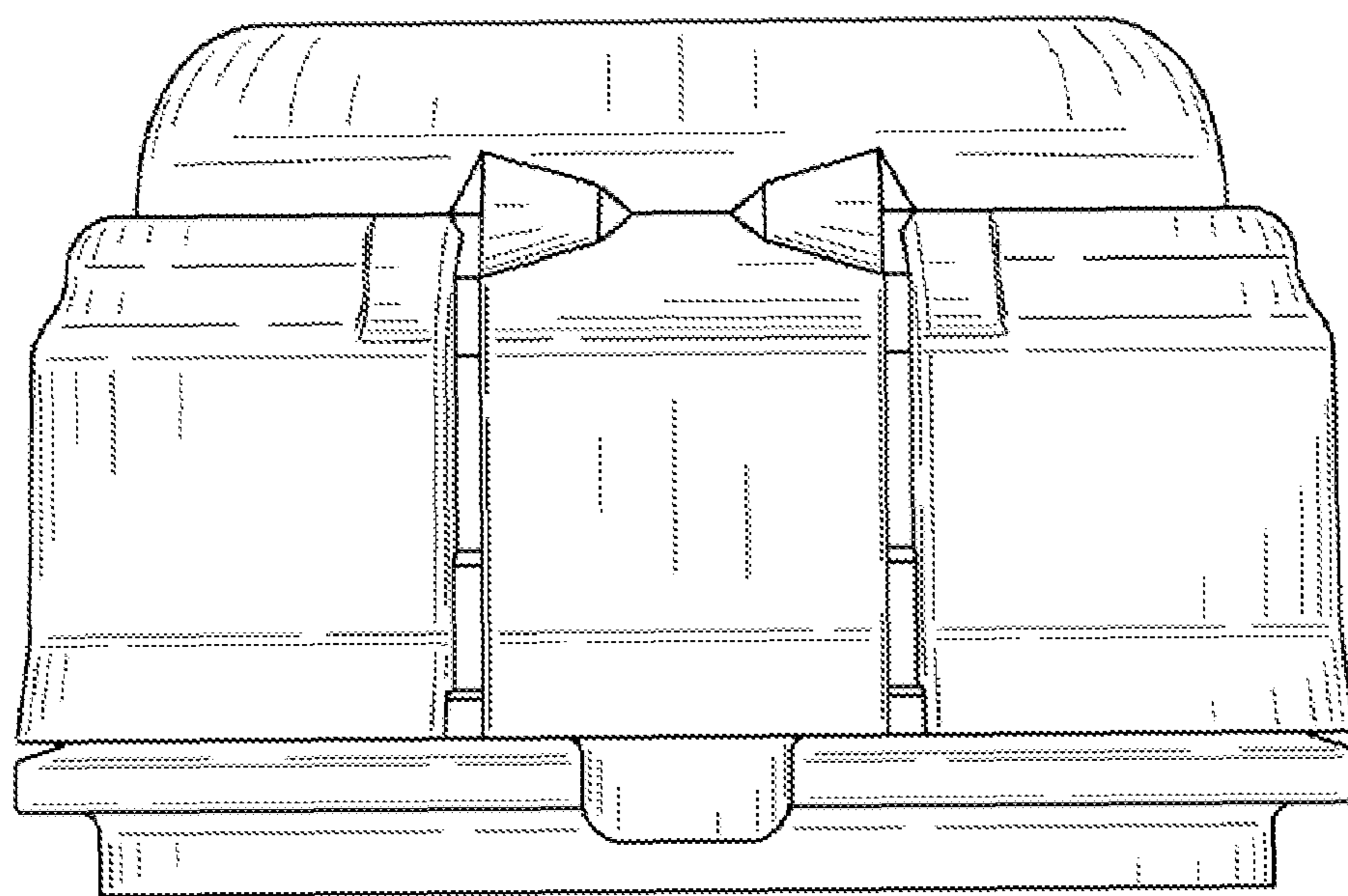


FIG. 3



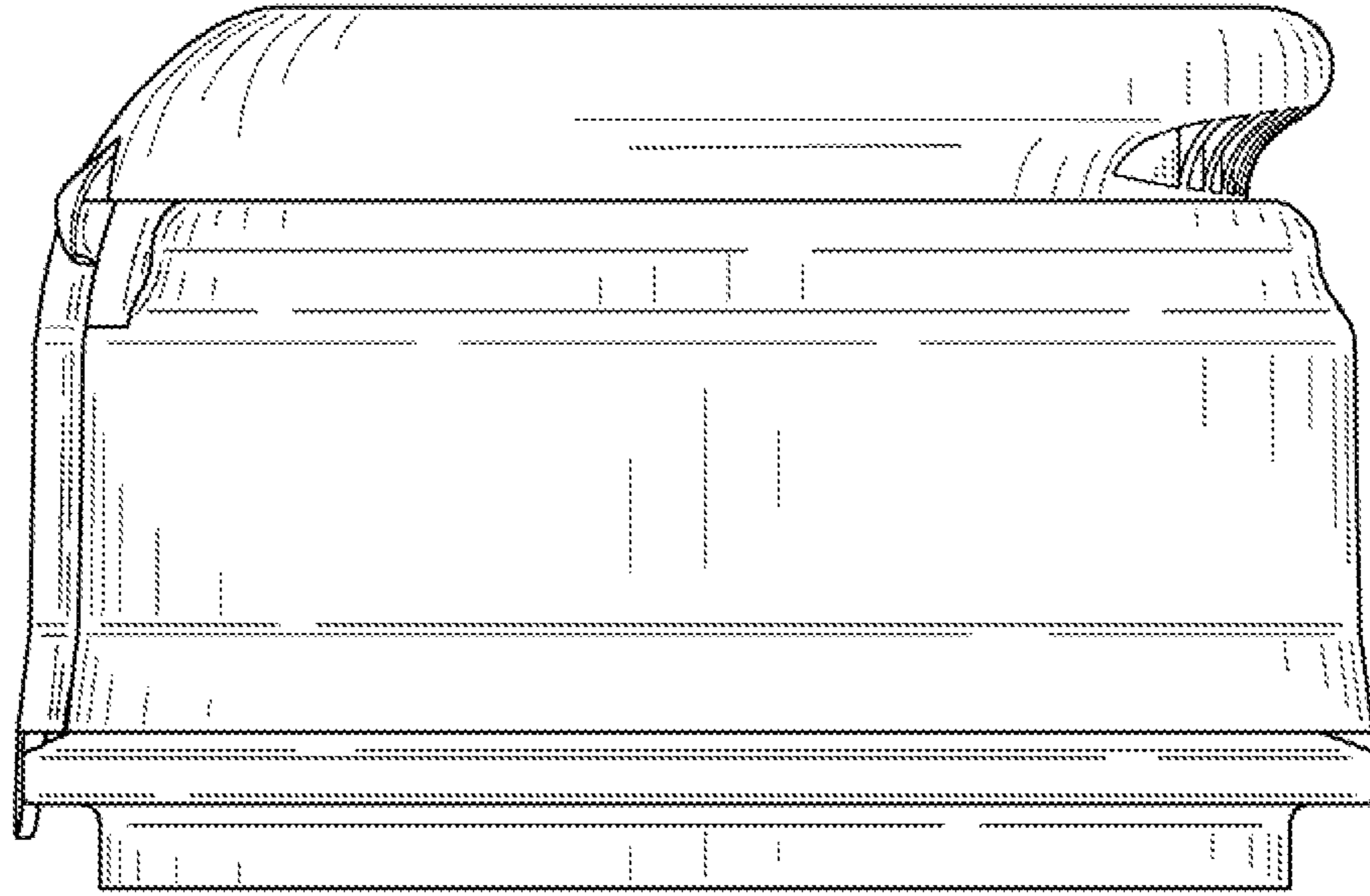


FIG. 4

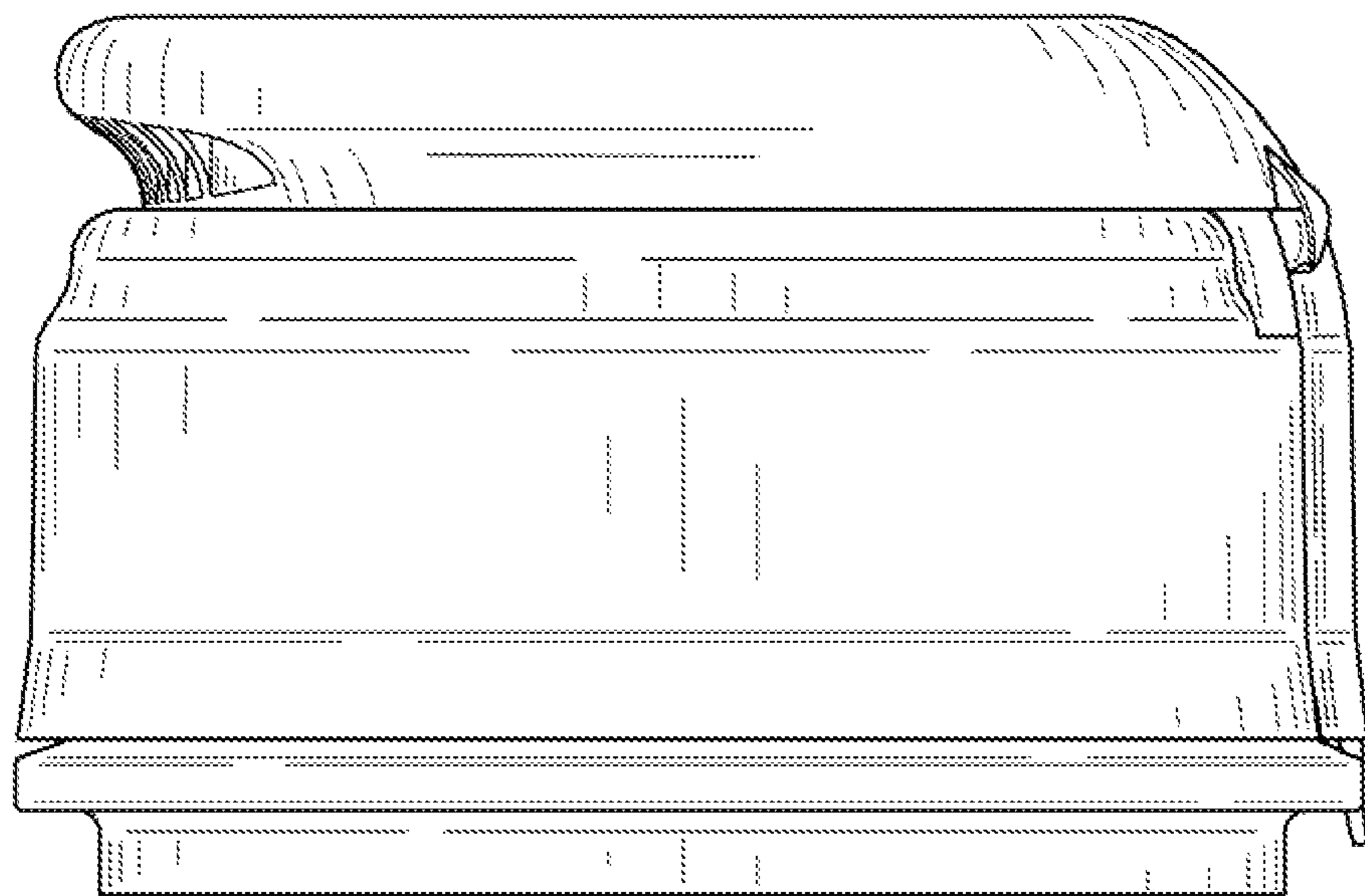


FIG. 5

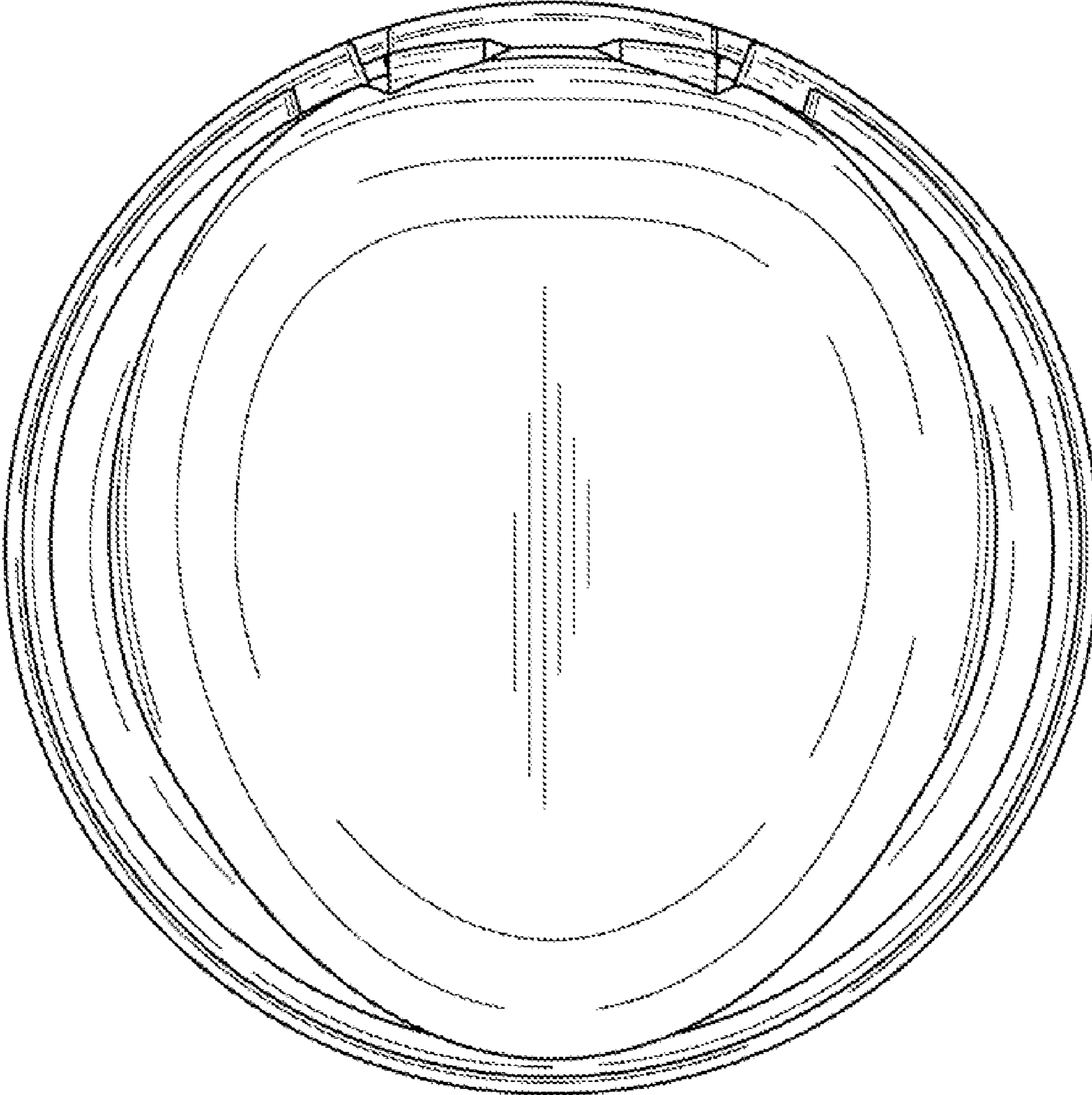


FIG. 6

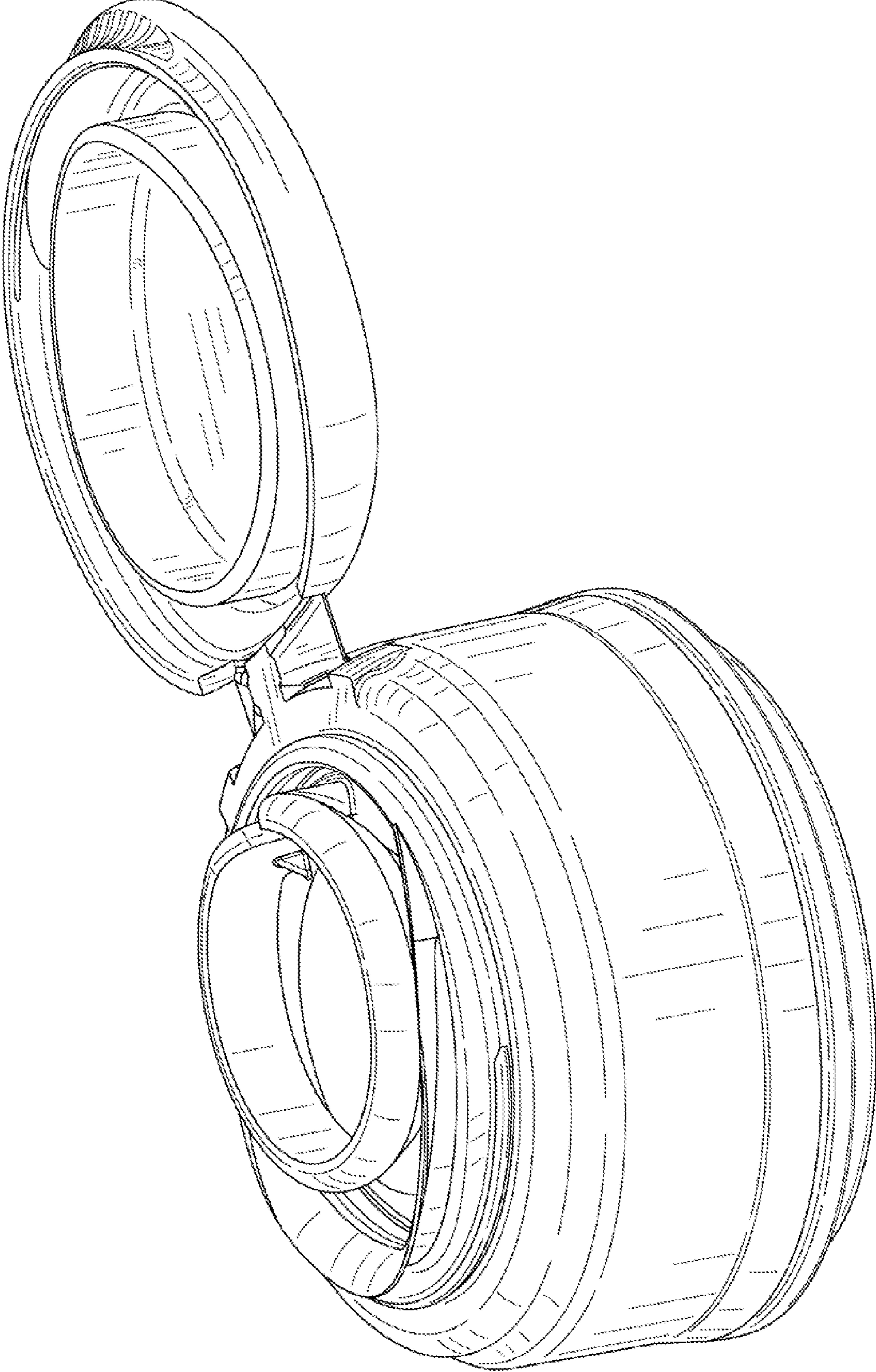


FIG. 7

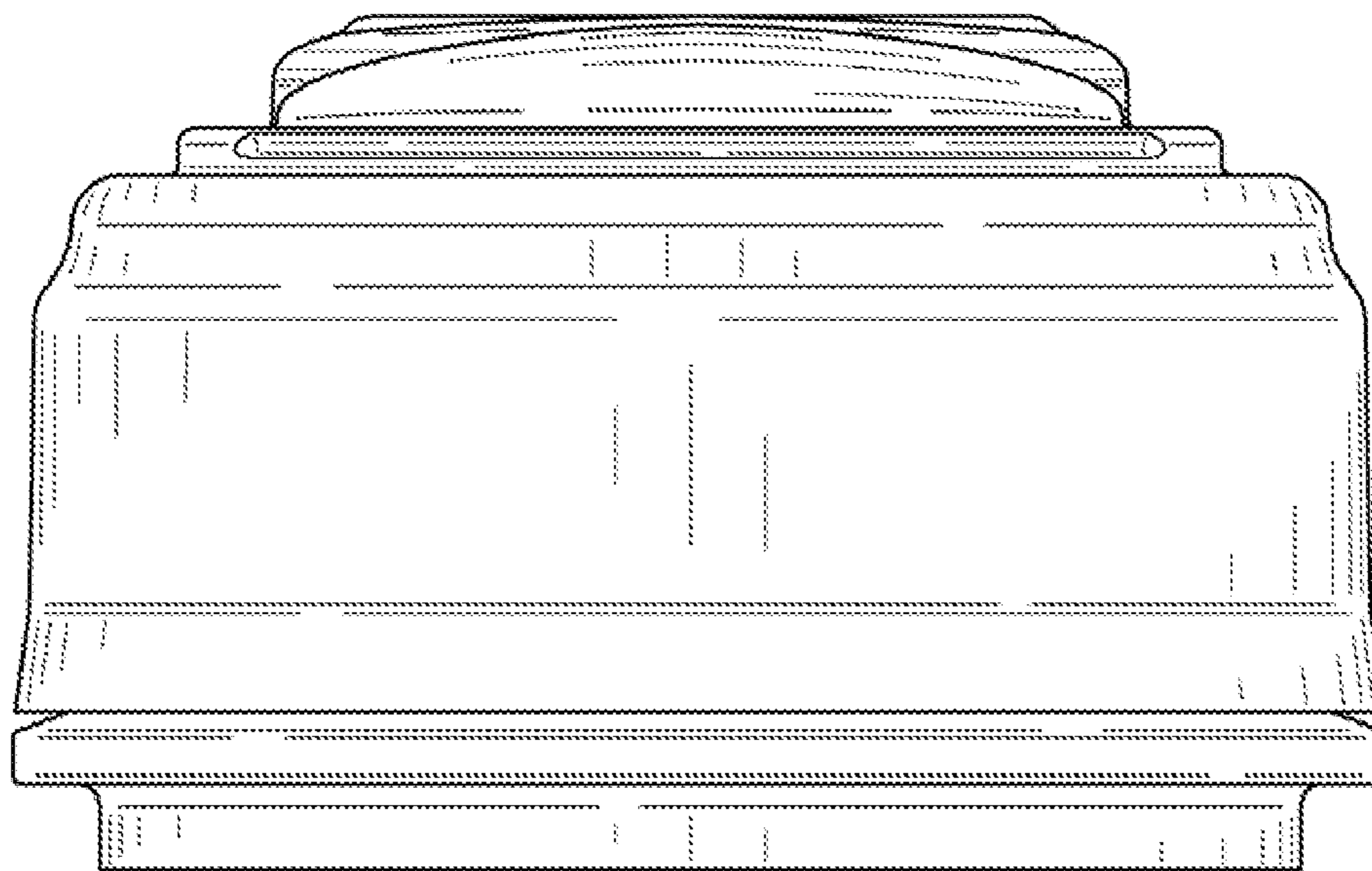


FIG. 8

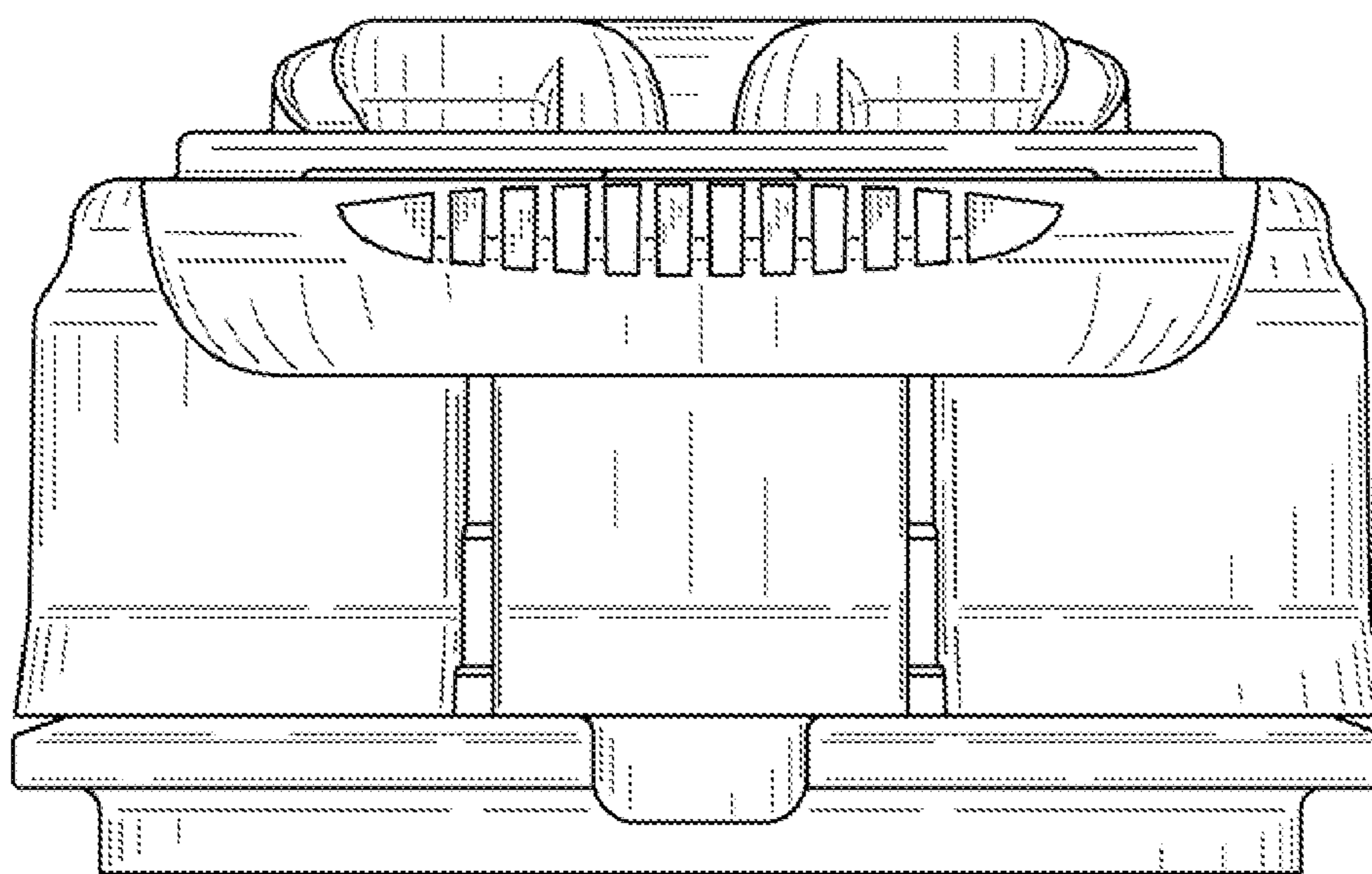


FIG. 9



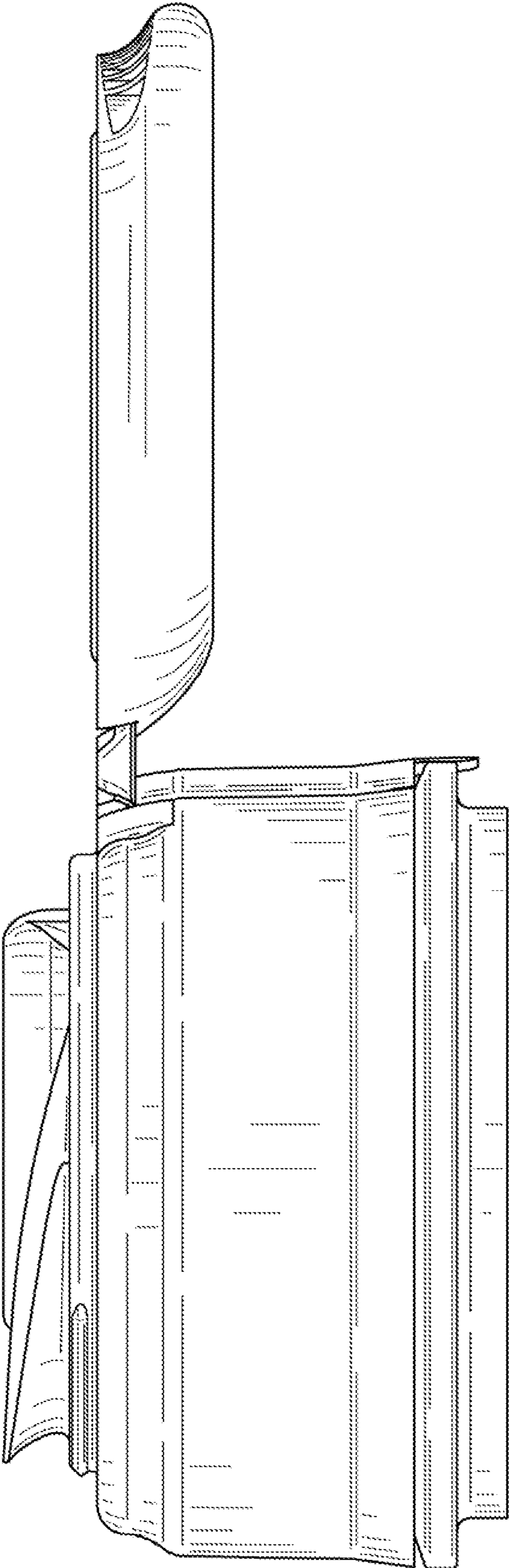


FIG. 10



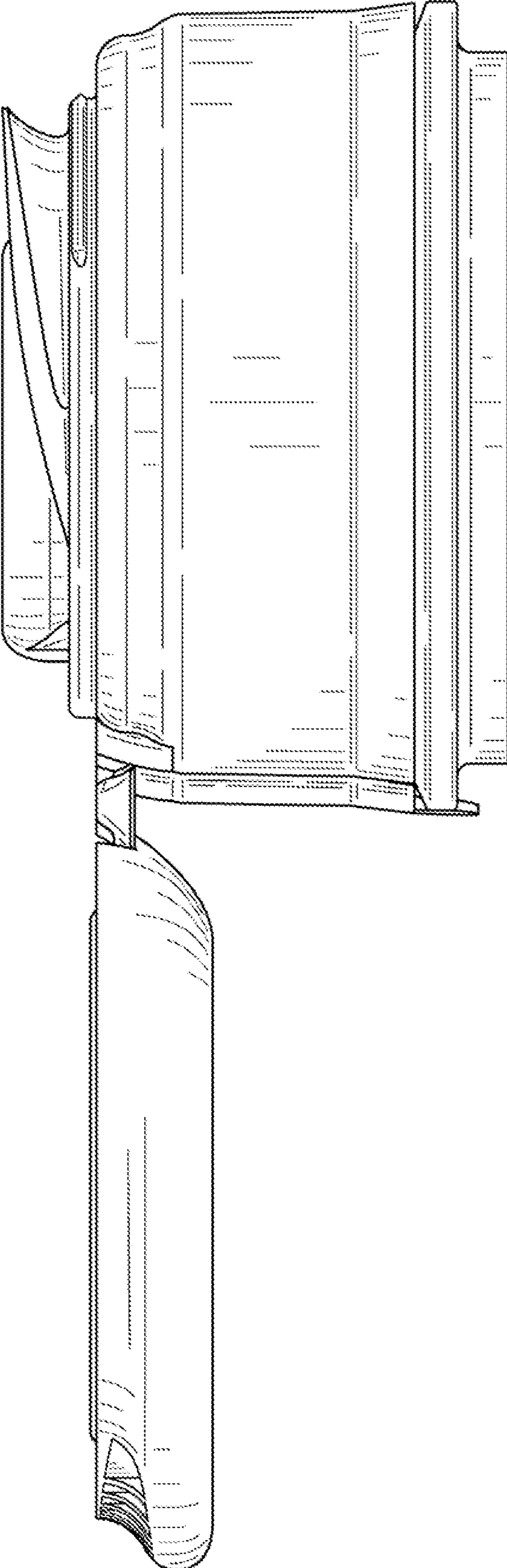


FIG. 11

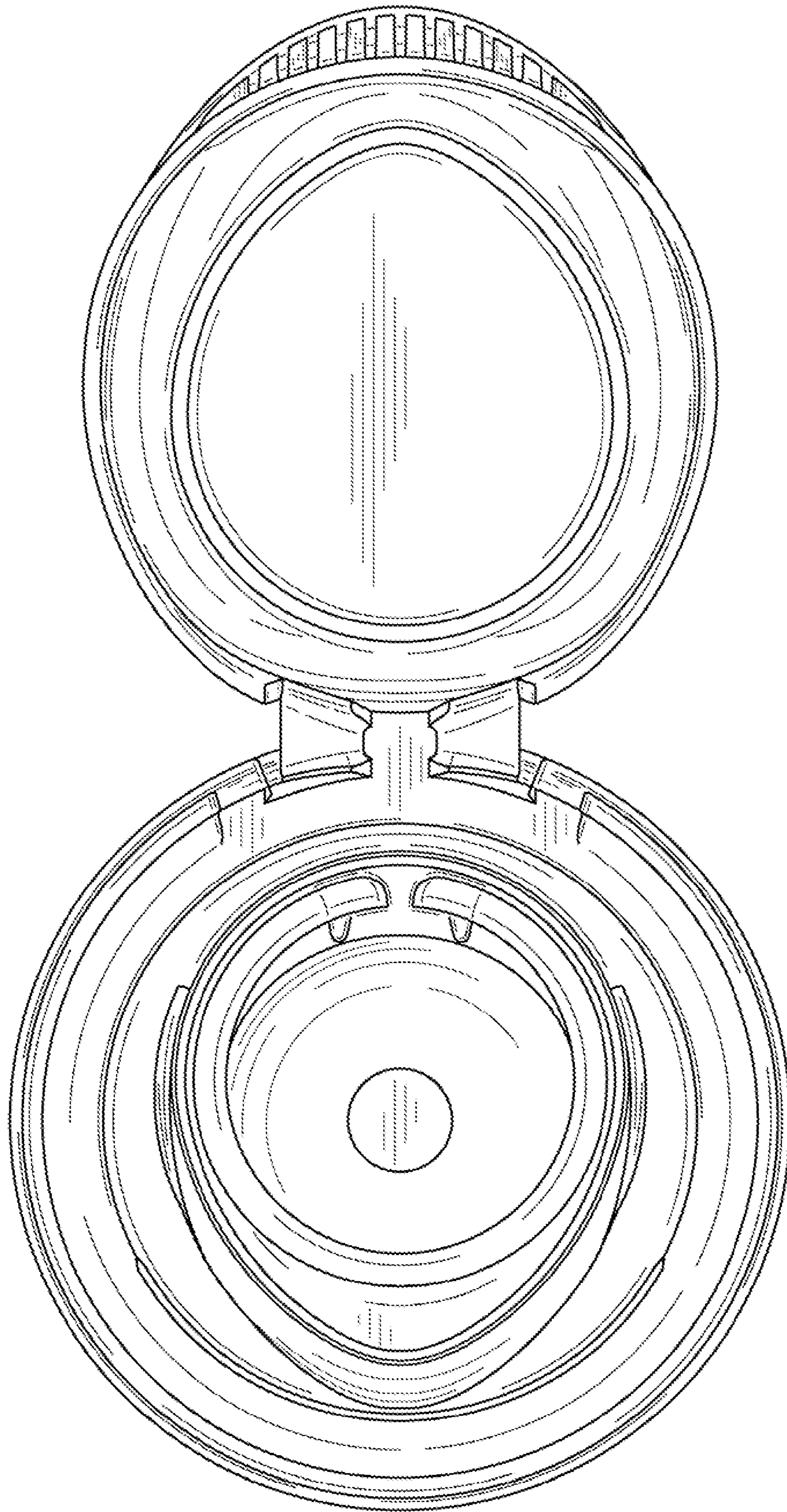


FIG. 12