



US00D610452S

(12) **United States Design Patent**
Schmidt

(10) **Patent No.:** **US D610,452 S**

(45) **Date of Patent:** **** Feb. 23, 2010**

(54) **LID FOR CONTAINERS**

(75) Inventor: **Guido Schmidt**, Dinklage (DE)

(73) Assignee: **Poepplmann Holding GmbH & co. KG**, Lohne (DE)

(**) Term: **14 Years**

(21) Appl. No.: **29/332,556**

(22) Filed: **Feb. 19, 2009**

(30) **Foreign Application Priority Data**

Aug. 19, 2008 (EM) 000988647-0001

(51) **LOC (9) Cl.** **09-07**

(52) **U.S. Cl.** **D9/435**

(58) **Field of Classification Search** D9/907,
D9/697, 696, 695, 530, 454, 453, 445, 444,
D9/443, 442, 439, 438, 436, 435, 434, 415;
D7/536, 535, 533, 511, 396.2, 391; D3/326,
D3/318, 302, 294; 222/568, 567, 566, 376,
222/288, 214, 212.5; 215/356, 329, 305,
215/228, 11.1

See application file for complete search history.

(56) **References Cited**

U.S. PATENT DOCUMENTS

D170,104 S * 7/1953 Zabel D9/443

D284,944 S * 8/1986 Carlson D9/425
D465,382 S * 11/2002 Wolf et al. D7/392.1
D551,515 S * 9/2007 Ablo et al. D7/629

* cited by examiner

Primary Examiner—Susan Bennett Hattan

(74) *Attorney, Agent, or Firm*—Porter, Wright, Morris & Arthur, LLP

(57) **CLAIM**

The ornamental design for a lid for containers, as shown and described.

DESCRIPTION

FIG. 1 is a perspective view of a lid for containers according to my new design;

FIG. 2 is another perspective view of the lid for containers according to my new design;

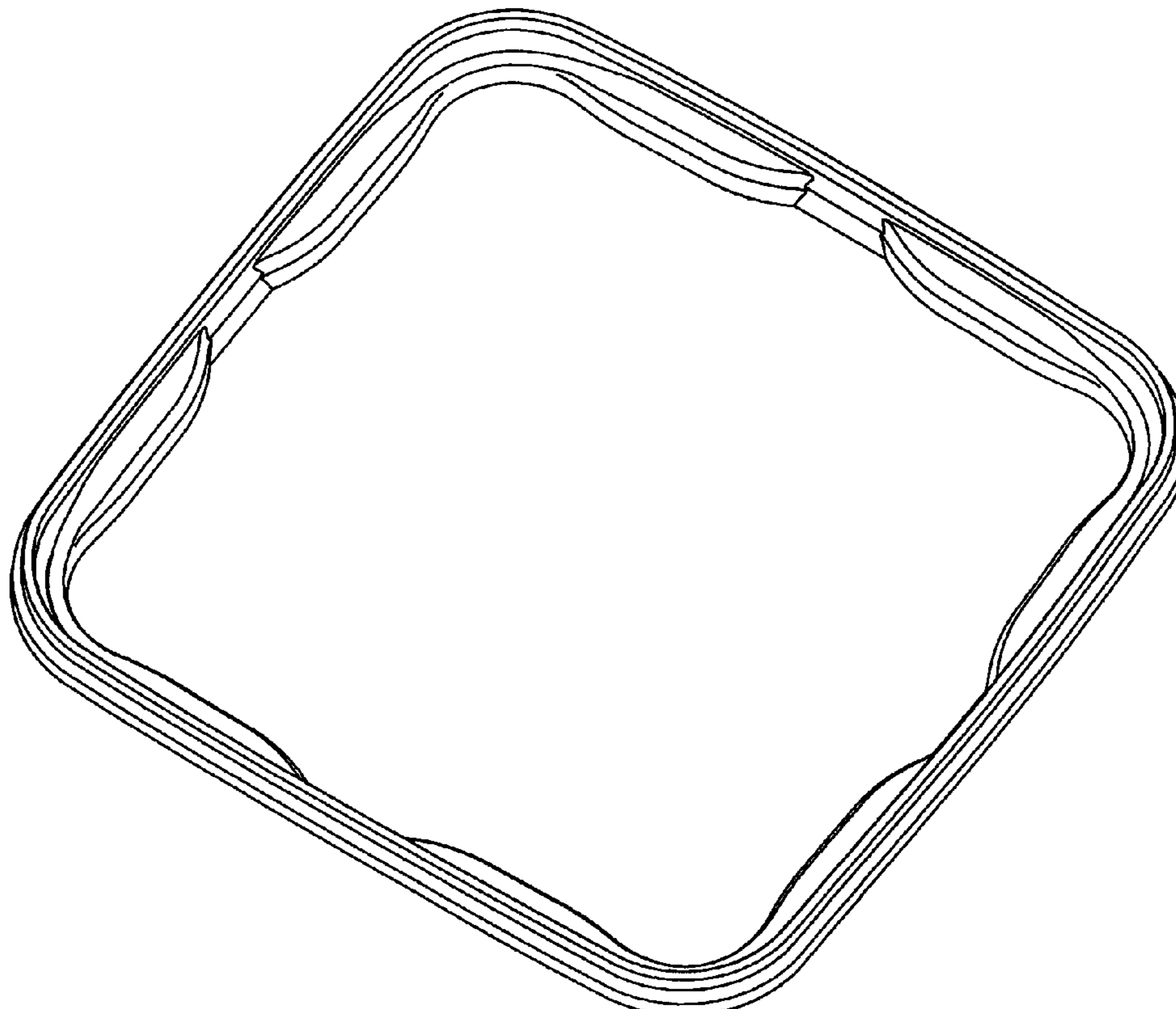
FIG. 3 is another perspective view of the lid for containers according to my new design;

FIG. 4 is a top plan view of the lid for containers according to my new design;

FIG. 5 is a front elevational view of the lid for containers according to my new design, the rear, right and left elevational views being the same; and,

FIG. 6 is a bottom plan view of the lid for containers according to my new design.

1 Claim, 6 Drawing Sheets



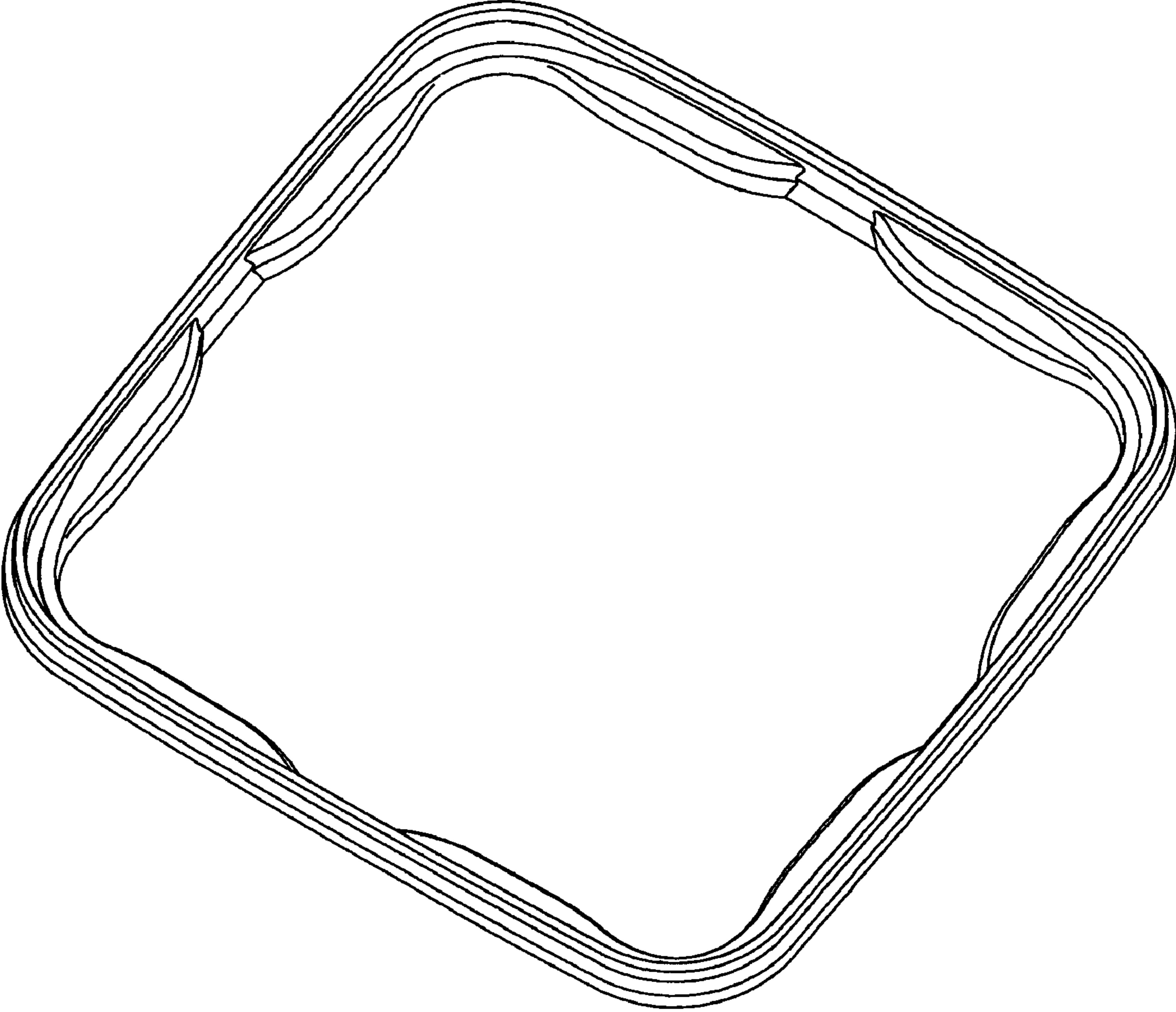


FIG. 1

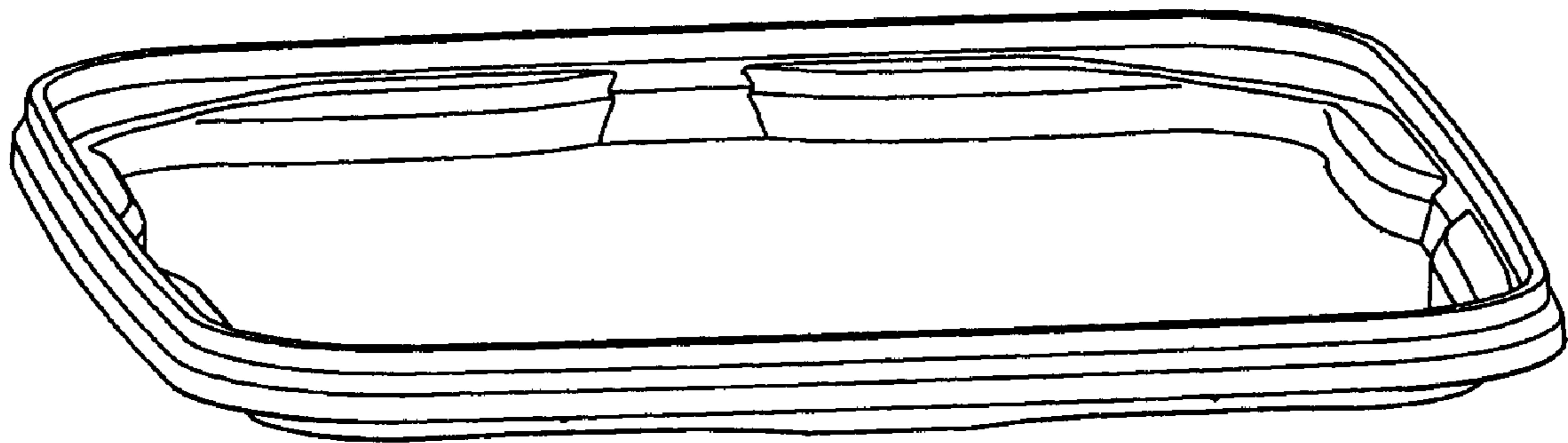


FIG. 2

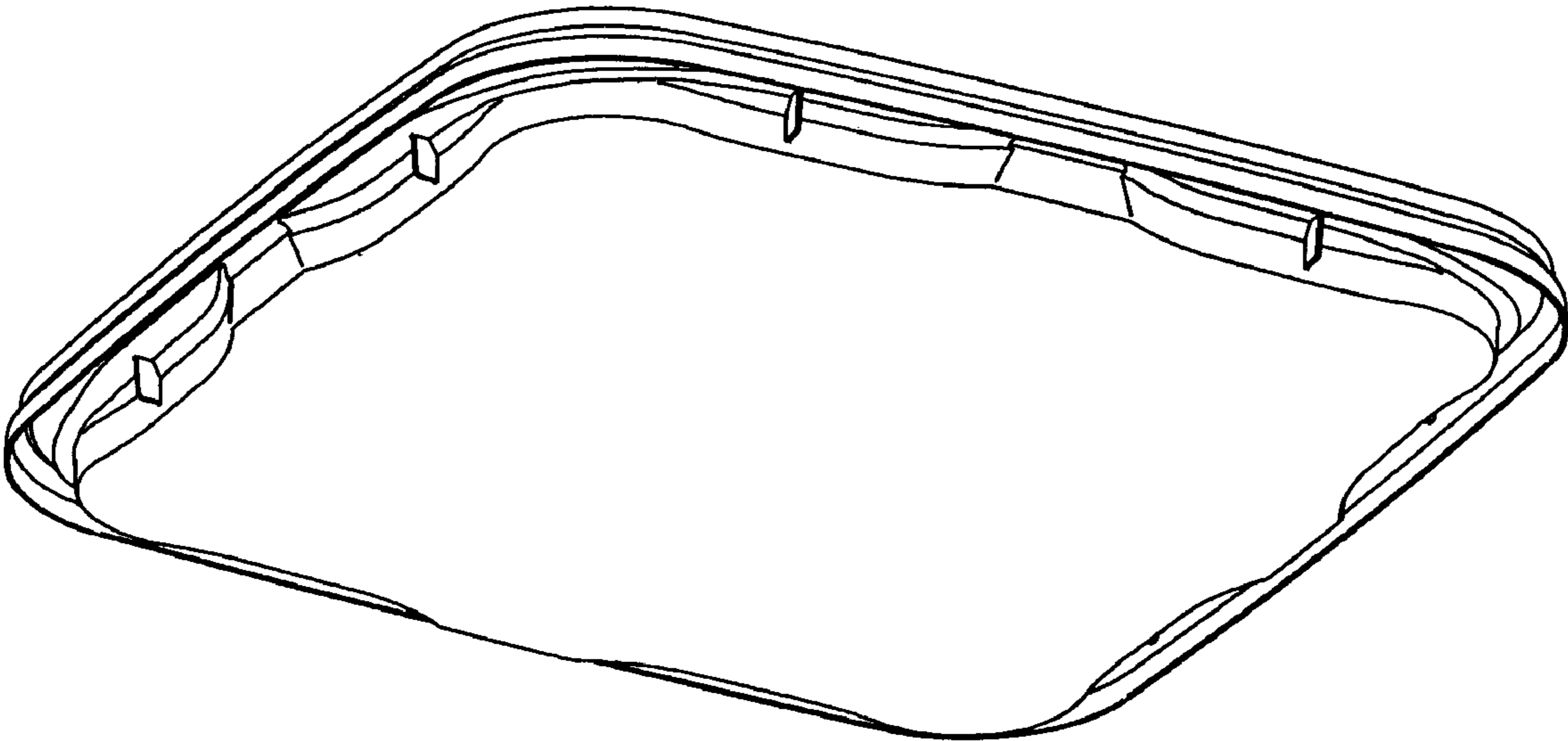


FIG. 3

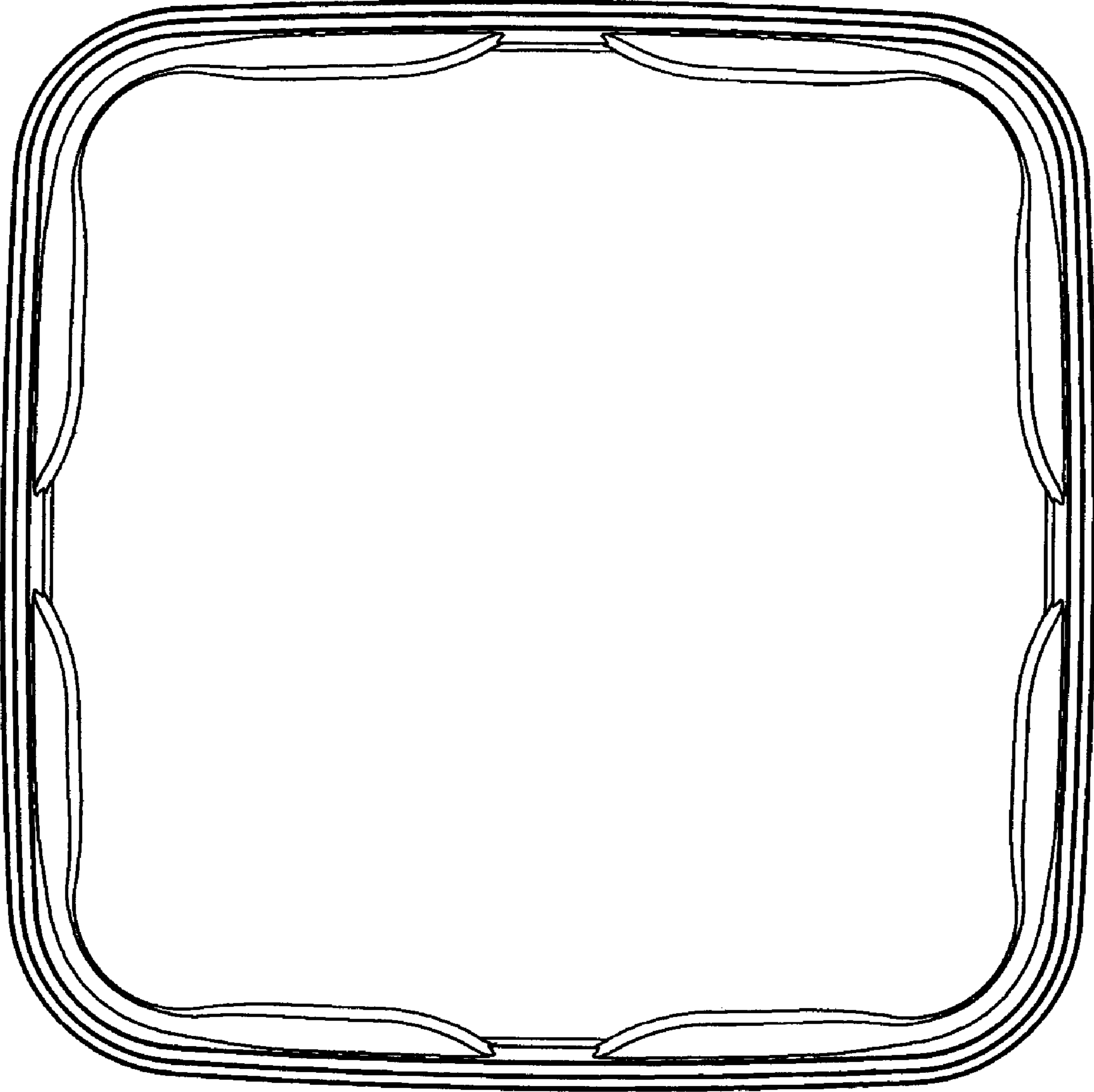


FIG. 4

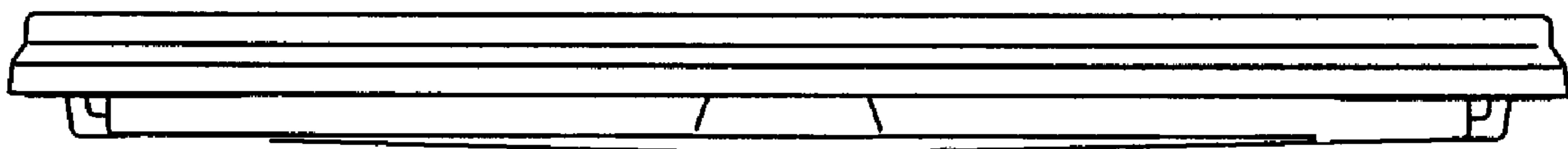


FIG. 5

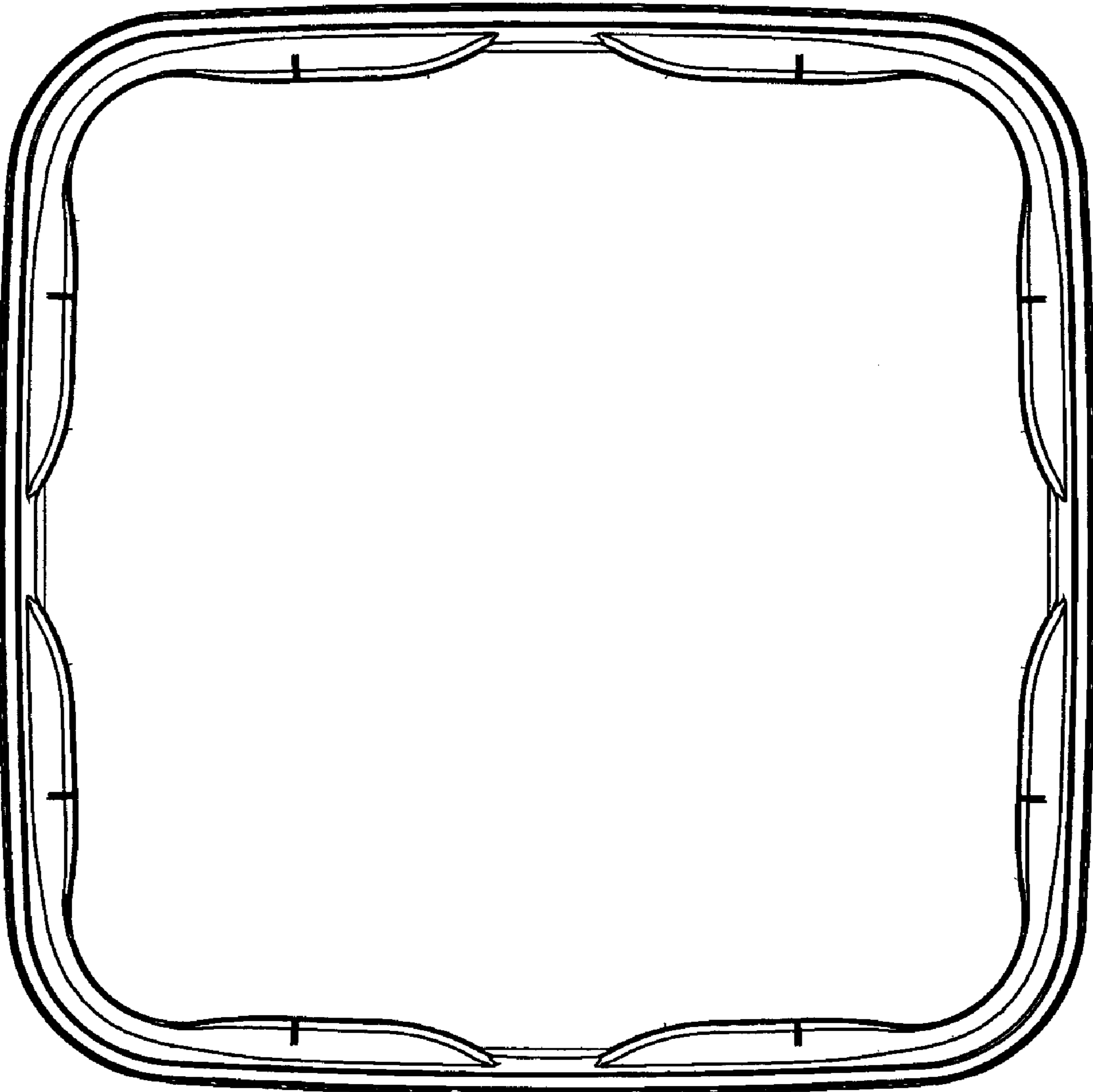


FIG. 6